



US00D733006S

(12) **United States Design Patent**
Spaeth

(10) **Patent No.:** **US D733,006 S**
(45) **Date of Patent:** **** Jun. 30, 2015**

(54) **EGG SHAPED BICYCLE TRAILER**

(71) Applicant: **David Sloan Spaeth**, Austin, TX (US)

(72) Inventor: **David Sloan Spaeth**, Austin, TX (US)

(**) Term: **14 Years**

(21) Appl. No.: **29/500,829**

(22) Filed: **Aug. 28, 2014**

(51) **LOC (10) Cl.** **12-10**

(52) **U.S. Cl.**
USPC **D12/102**

(58) **Field of Classification Search**
USPC D12/100-106, 19, 129, 111-112;
D34/21-26, 12, 16-19; 280/204, 205,
280/63, 475, 482, 647; 296/168, 180,
296/180.2, 61, 10, 100.01-100.08;
D21/425, 435

See application file for complete search history.

(56) **References Cited**

U.S. PATENT DOCUMENTS

D316,688 S * 5/1991 Barginear D12/101
D322,235 S * 12/1991 Bell D12/101
D369,328 S * 4/1996 Acosta D12/101
D375,921 S * 11/1996 Kunkle D12/101
D390,814 S * 2/1998 Weinacht D12/101

D403,276 S * 12/1998 Neault et al. D12/101
D574,755 S * 8/2008 Thurm D12/101
D630,558 S * 1/2011 Hopkins Clutterbuck
et al. D12/106
D648,656 S * 11/2011 Crane D12/101
D701,148 S * 3/2014 Brakespeare et al. D12/101

* cited by examiner

Primary Examiner — Katrina A Betton

(74) *Attorney, Agent, or Firm* — Plager Schack LLP

(57) **CLAIM**

An ornamental design for an egg shaped bicycle trailer, as shown and described.

DESCRIPTION

FIG. 1 is a front perspective view of the egg shaped bicycle trailer in a closed arrangement.

FIG. 2 is a side view of the egg shaped bicycle trailer in a closed arrangement.

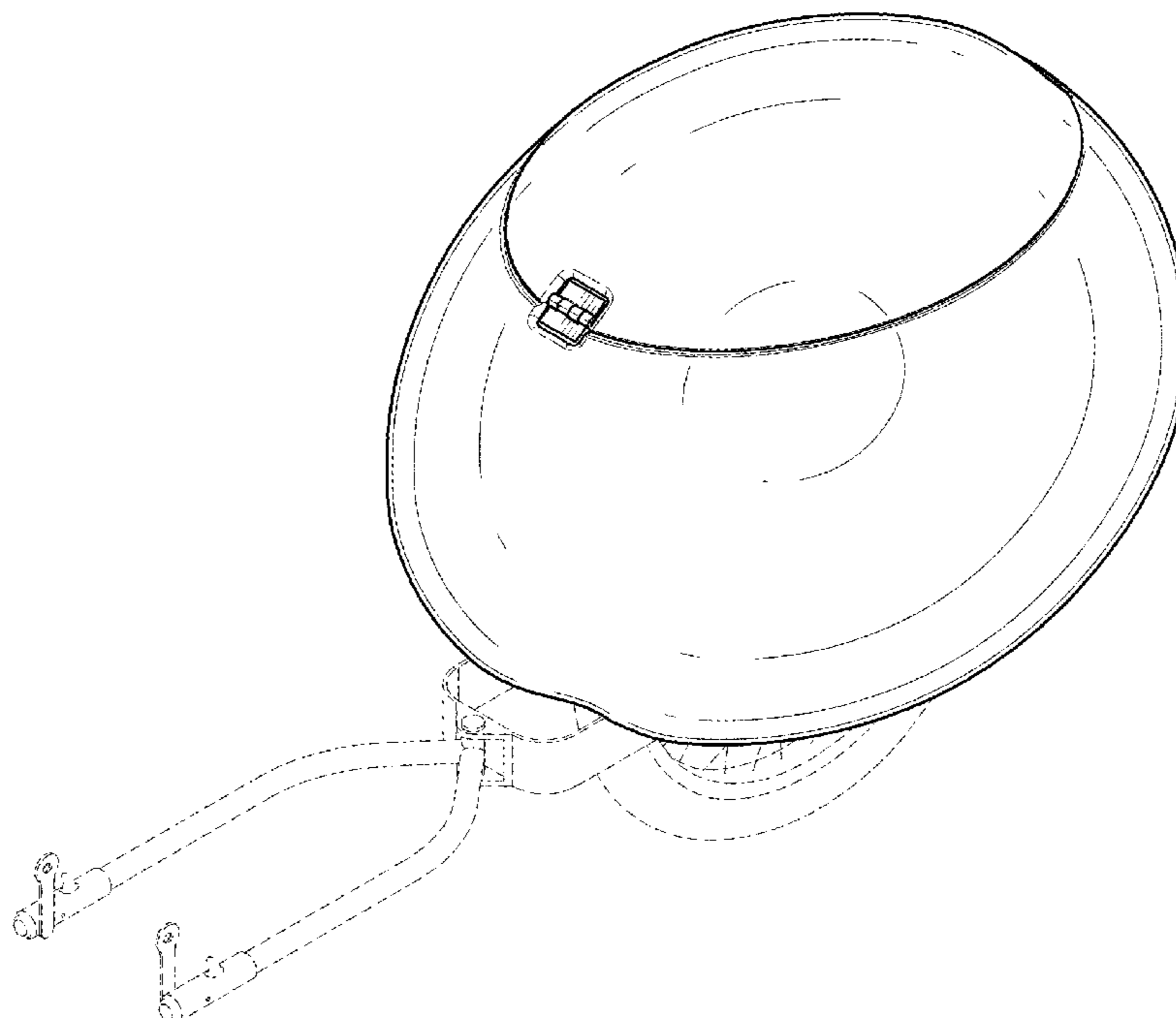
FIG. 3 is a top view of the egg shaped bicycle trailer in a closed arrangement.

FIG. 4 is a front view of the egg shaped bicycle trailer in a closed arrangement.

FIG. 5 is a rear view of the egg shaped bicycle trailer in a closed arrangement; and,

FIG. 6 is a side view of the egg shaped bicycle trailer in an open arrangement.

1 Claim, 5 Drawing Sheets



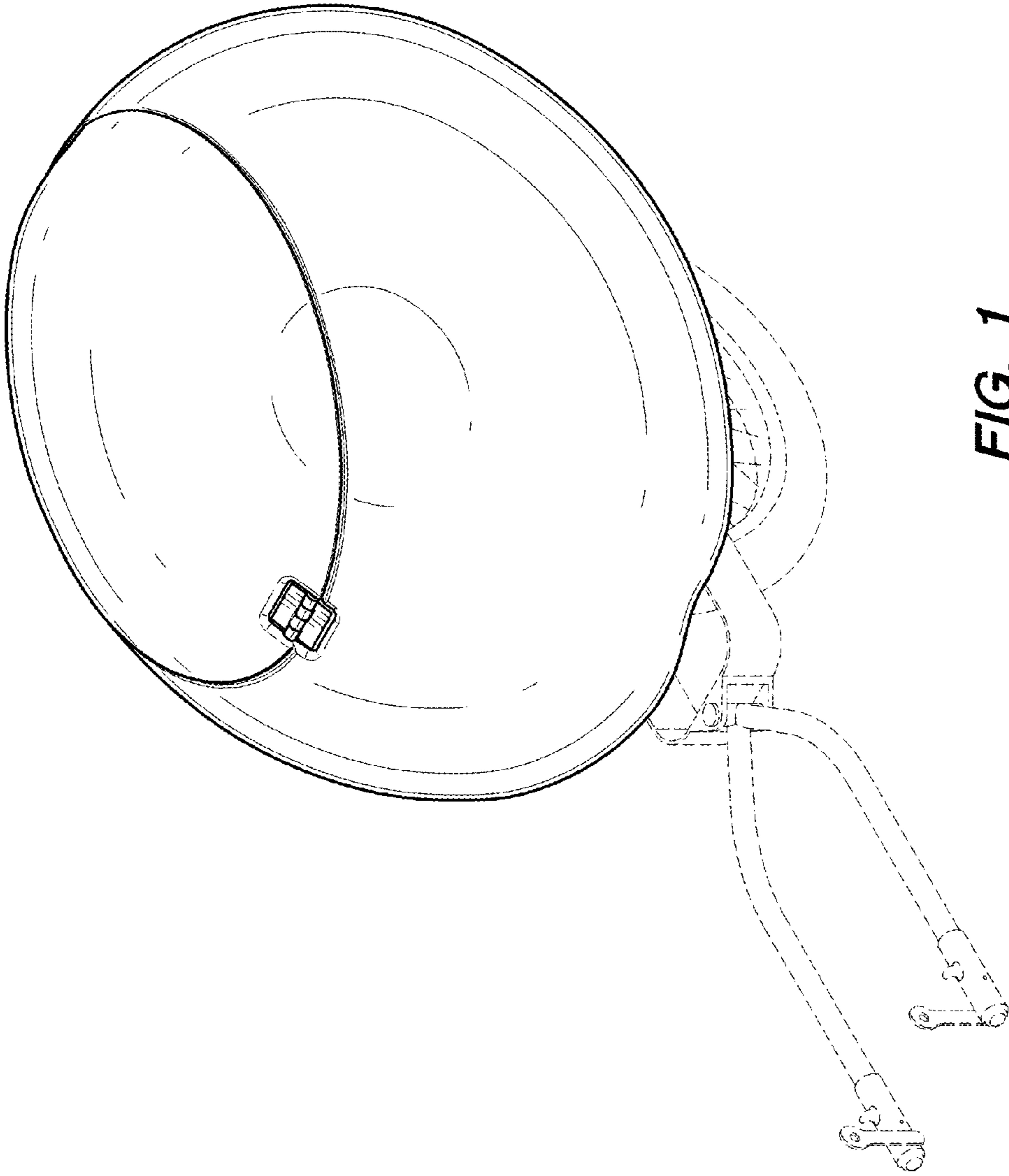


FIG. 1

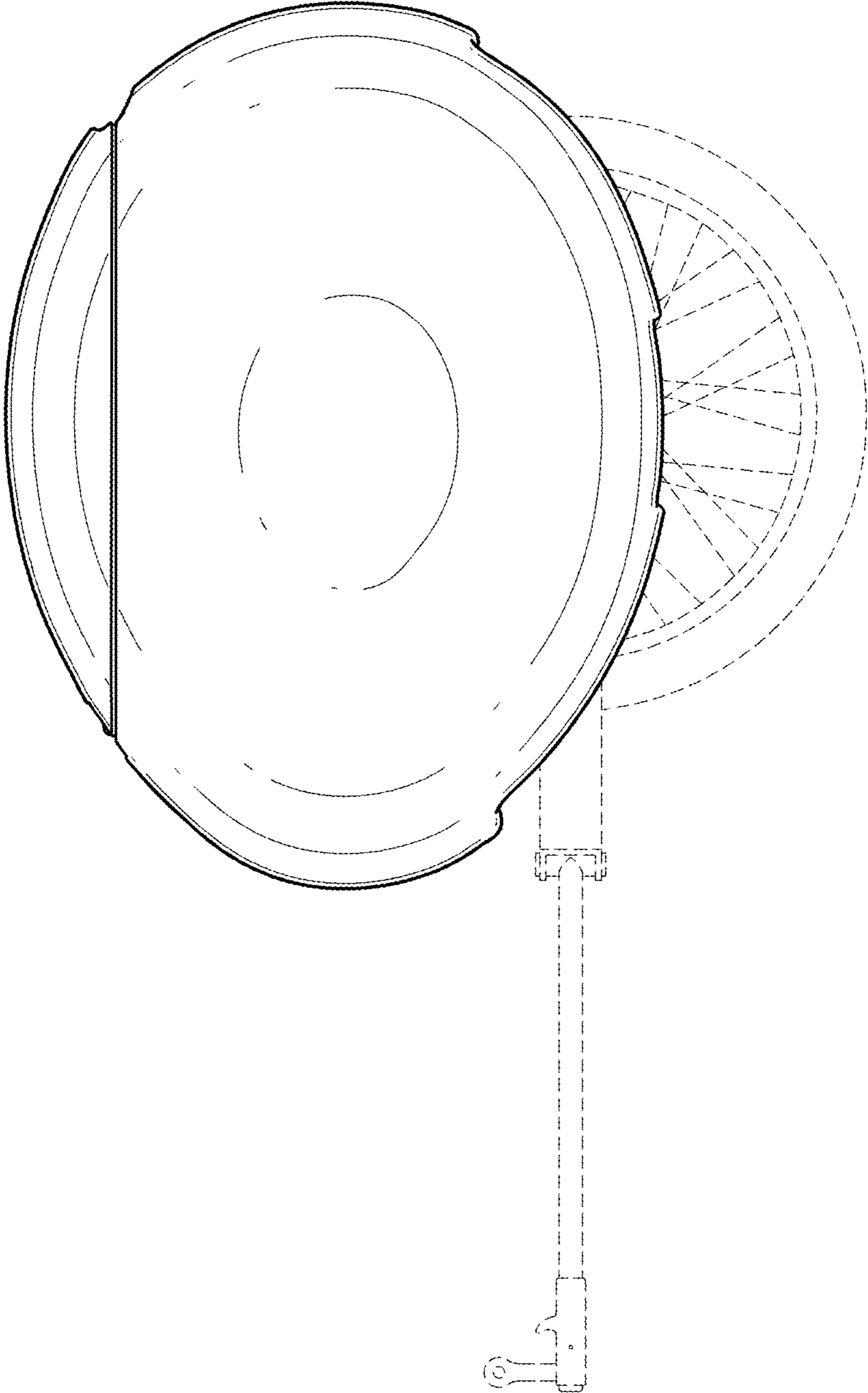


FIG. 2

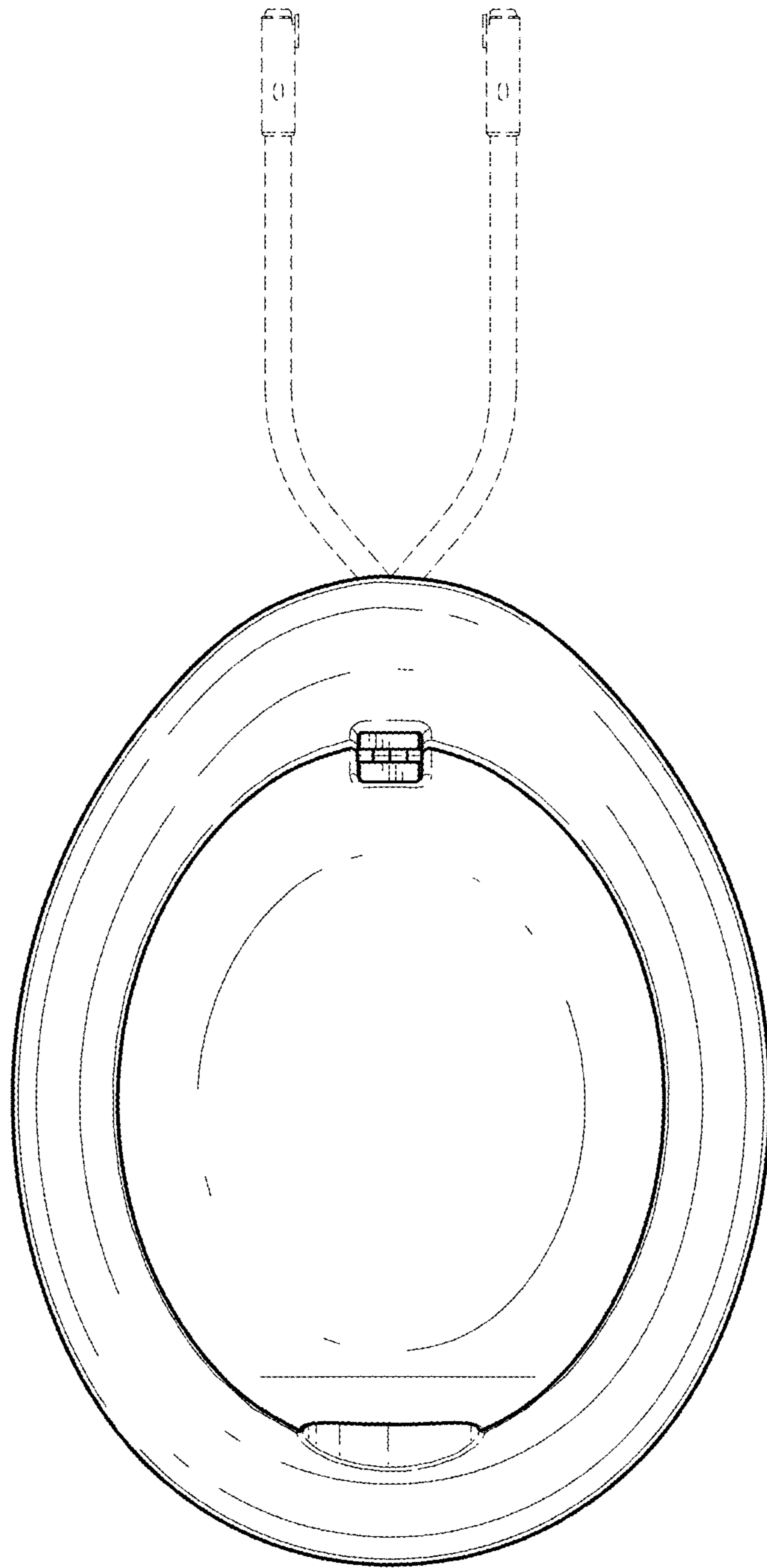


FIG. 3

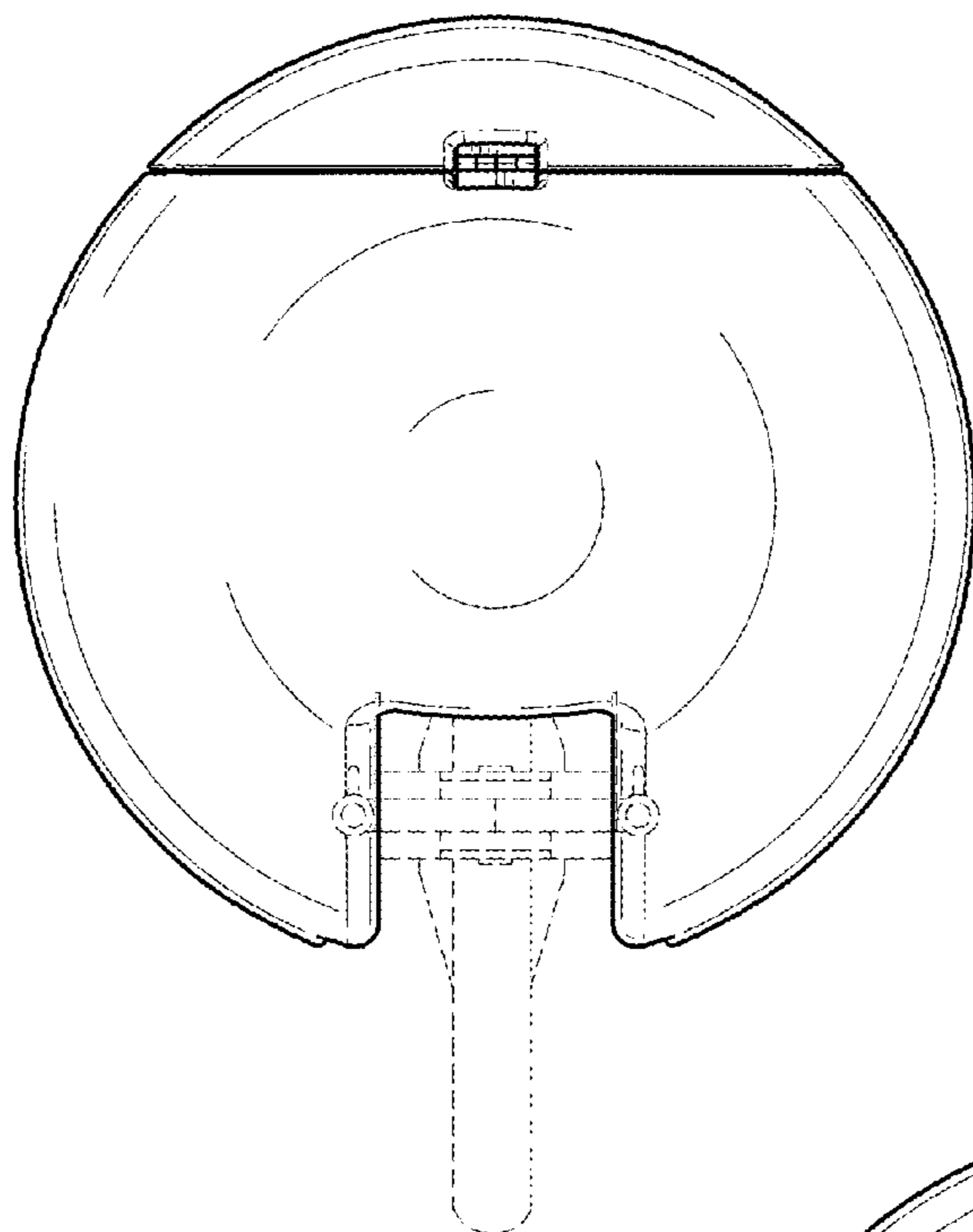


FIG. 4

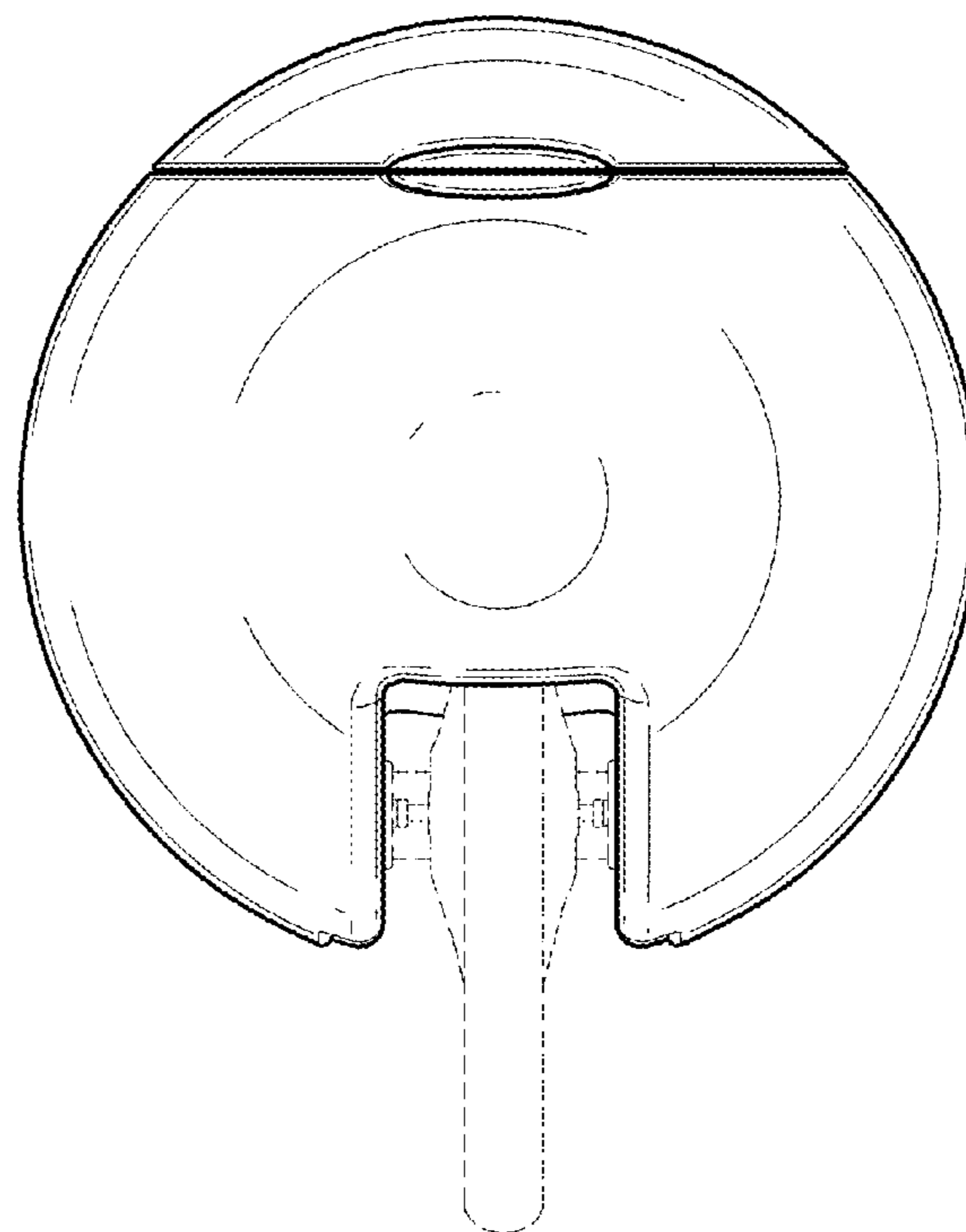


FIG. 5

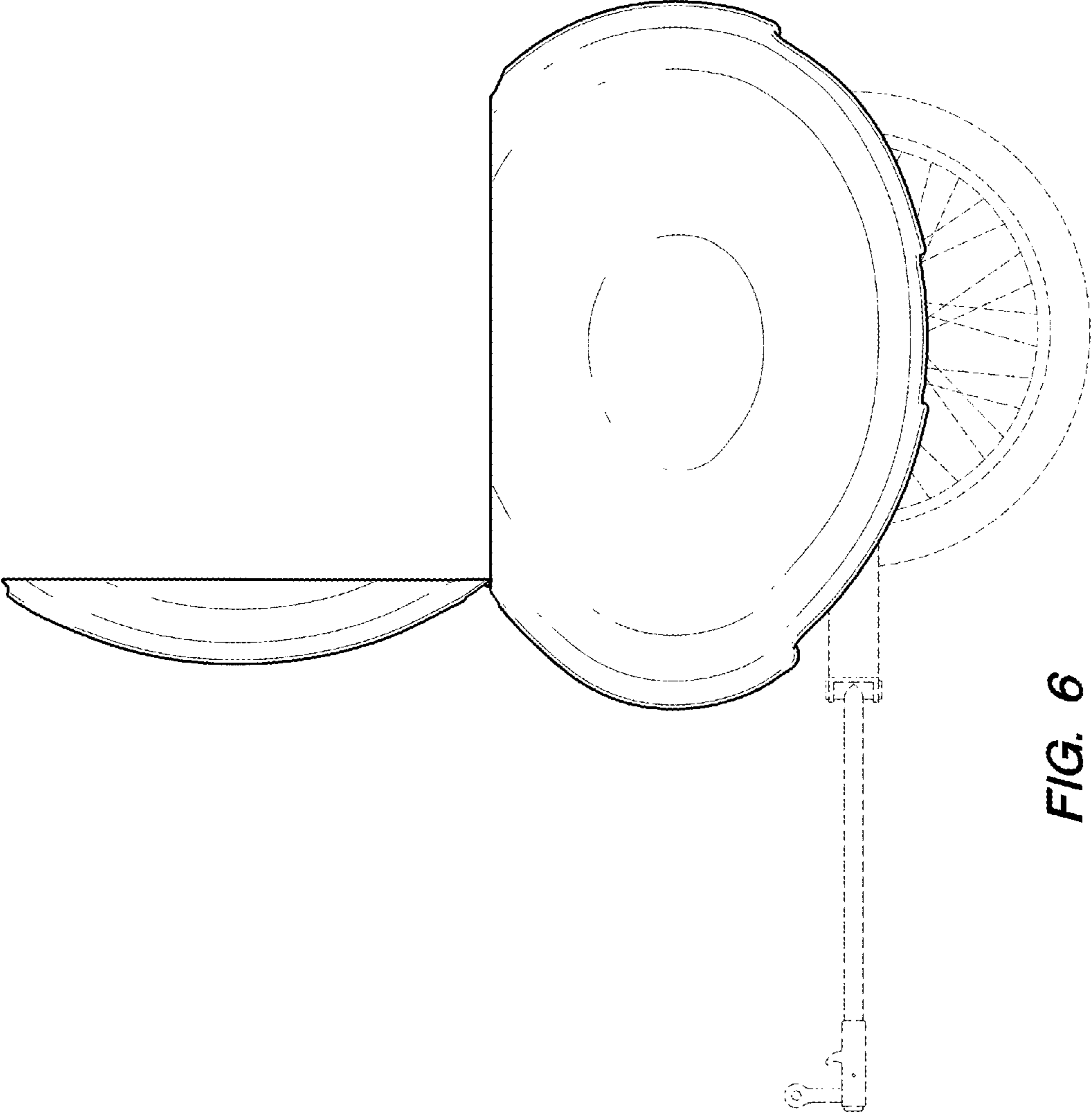


FIG. 6