



US00D733004S

(12) **United States Design Patent**
Huang et al.

(10) **Patent No.:** **US D733,004 S**
(45) **Date of Patent:** **** Jun. 30, 2015**

(54) **VEHICLE**
(71) Applicant: **Great Wall Motor Company Limited**,
Baoding (CN)
(72) Inventors: **Yong Huang**, Baoding (CN); **Dianmin**
Zhang, Baoding (CN); **Yanqing Yang**,
Baoding (CN); **Qingsong Shi**, Baoding
(CN); **He Ma**, Baoding (CN)
(73) Assignee: **Great Wall Motor Company Limited**,
Hebei Province (CN)
(**) Term: **14 Years**

D676,360 S * 2/2013 Ohkoshi et al. D12/91
D683,264 S * 5/2013 Kanazawa et al. D12/91
D684,092 S * 6/2013 Lee D12/91
D685,678 S * 7/2013 Koo D12/91
D686,532 S * 7/2013 Lamm D12/91
D686,949 S * 7/2013 Minami D12/91
D689,795 S * 9/2013 Takei et al. D12/91
D692,798 S * 11/2013 Thurber D12/91
D696,979 S * 1/2014 Dyson D12/92
D697,834 S * 1/2014 Okue et al. D12/91
D698,281 S * 1/2014 Badstuebner et al. D12/91
D698,697 S 2/2014 Winkelmann
D699,629 S * 2/2014 Ikeda et al. D12/91
D703,583 S * 4/2014 Howell et al. D12/91
D705,132 S 5/2014 Ware
D706,171 S * 6/2014 Bischoff et al. D12/91

(Continued)

(21) Appl. No.: **29/496,737**

(22) Filed: **Jul. 16, 2014**

(30) **Foreign Application Priority Data**

Jan. 18, 2014 (CN) 2014 3 0014061

(51) **LOC (10) Cl.** **12-08**

(52) **U.S. Cl.**
USPC **D12/91**

(58) **Field of Classification Search**
USPC D12/86, 90, 91, 92, 88, 93, 82;
D21/424, 433, 434, 548, 552;
296/181.1, 181.5
See application file for complete search history.

(56) **References Cited**

U.S. PATENT DOCUMENTS

D538,710 S * 3/2007 Hsu D12/91
D592,550 S * 5/2009 Lawlis D12/91
D605,978 S * 12/2009 Wolff et al. D12/91
D619,500 S * 7/2010 Hsu et al. D12/91
D634,671 S * 3/2011 Huang et al. D12/91
D637,109 S * 5/2011 Muller D12/91
D645,787 S * 9/2011 Tokano et al. D12/91
D646,204 S * 10/2011 Tokano D12/91
D664,897 S * 8/2012 Ramaciotti D12/91
D671,033 S * 11/2012 Fetherston et al. D12/91

Primary Examiner — Cathron Brooks

Assistant Examiner — Clese Moore, Jr.

(74) *Attorney, Agent, or Firm* — Swanson & Bratschun,
L.L.C.

(57) **CLAIM**

The ornamental design for a vehicle, as shown and described.

DESCRIPTION

FIG. 1 is a front view of a vehicle according to the present design;

FIG. 2 is a rear view of the vehicle according to the present design;

FIG. 3 is a right view of the vehicle according to the present design;

FIG. 4 is a left view of the vehicle according to the present design;

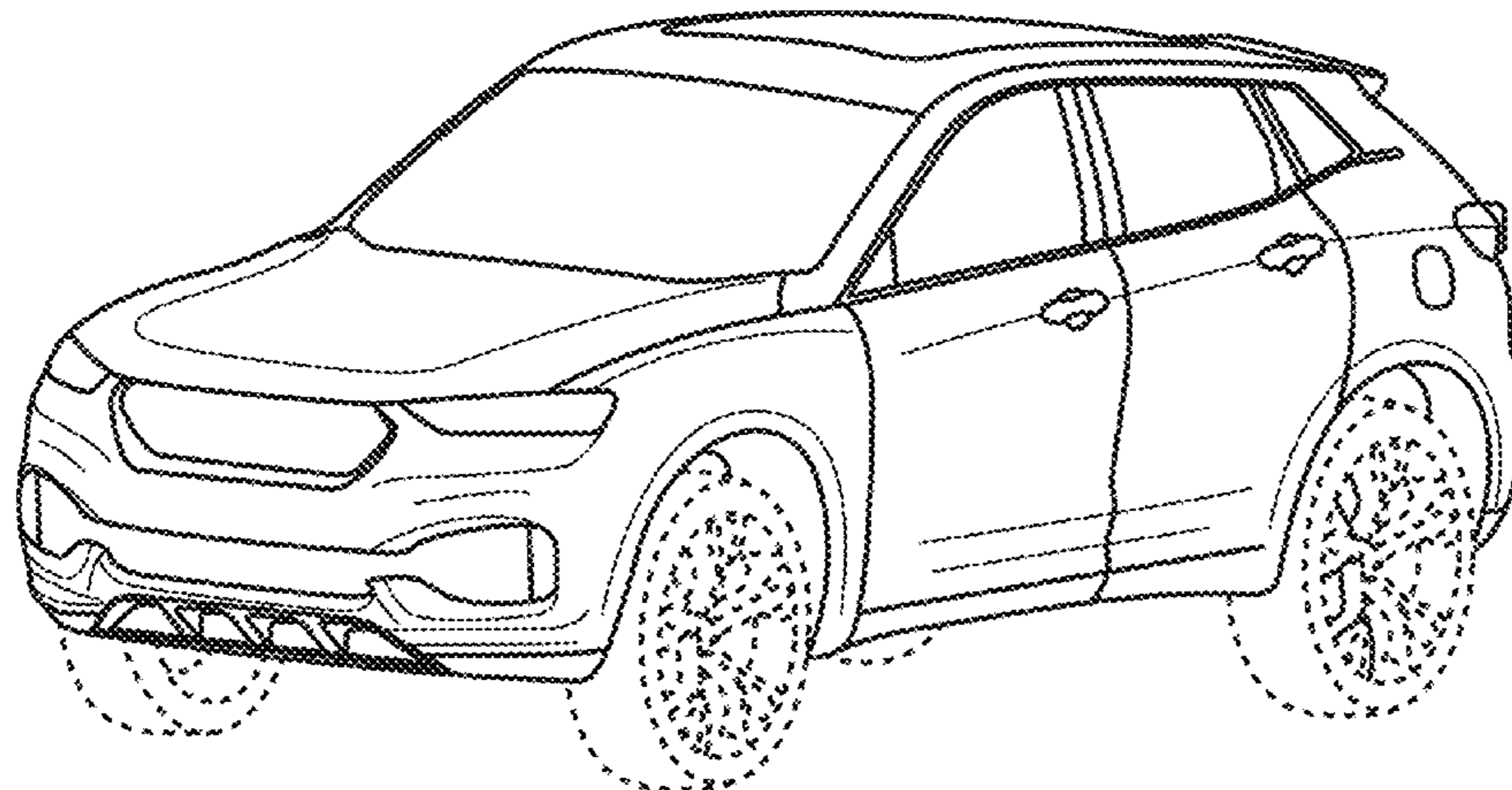
FIG. 5 is a top view of the vehicle according to the present design;

FIG. 6 is a front, left perspective view of the vehicle according to the present design; and,

FIG. 7 is a rear, left perspective view of the vehicle according to the present design.

The broken lines in the drawings depict portions of the vehicle that form no part of the claimed design.

1 Claim, 5 Drawing Sheets



US D733,004 S

Page 2

(56)

References Cited

U.S. PATENT DOCUMENTS

D711,784 S *	8/2014	Galante et al.	D12/91
D712,790 S *	9/2014	Scheinutte	D12/92
D714,685 S	10/2014	Huang	
D709,800 S *	7/2014	Cartabiano et al.	D12/91

* cited by examiner

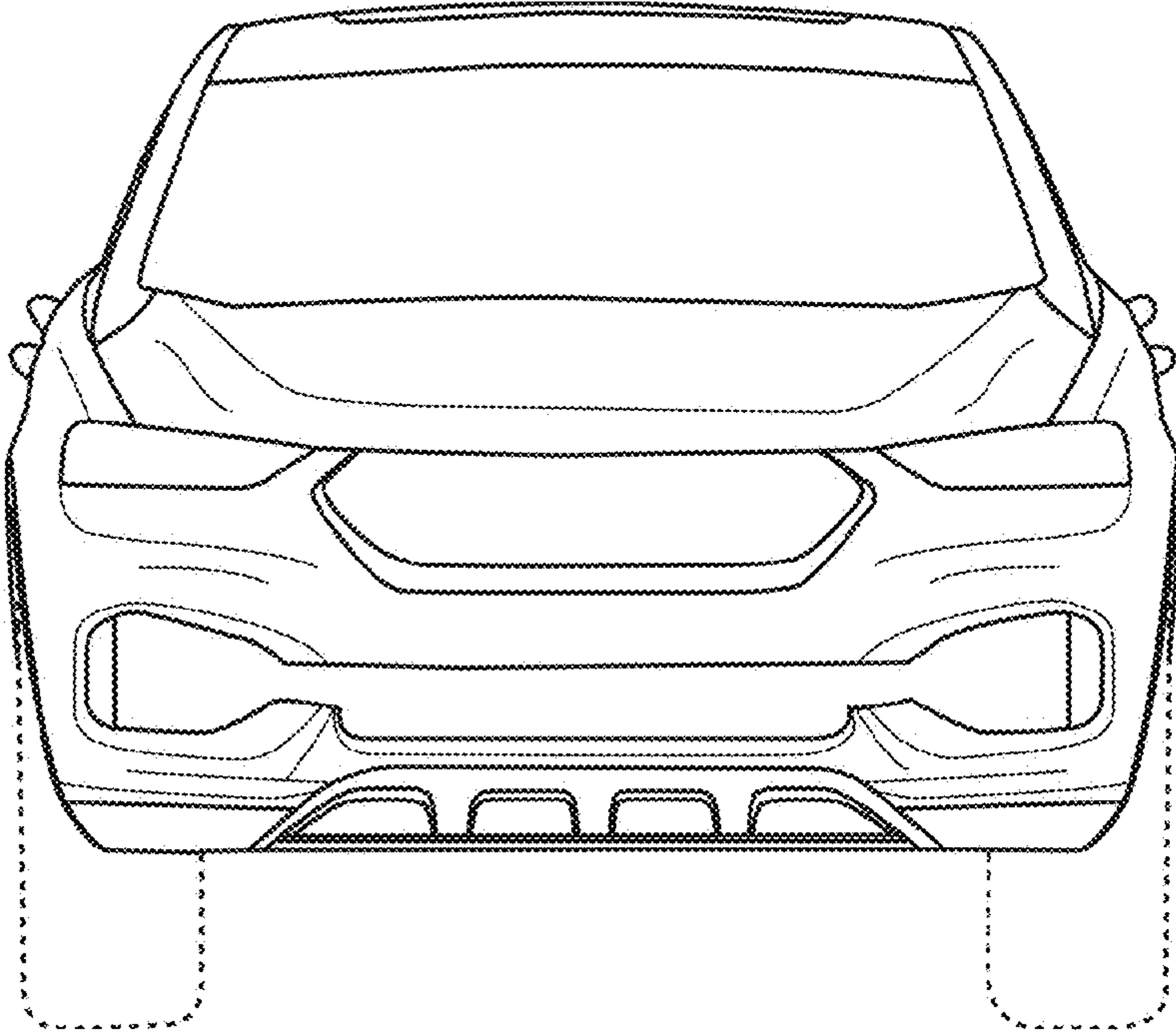


Figure 1

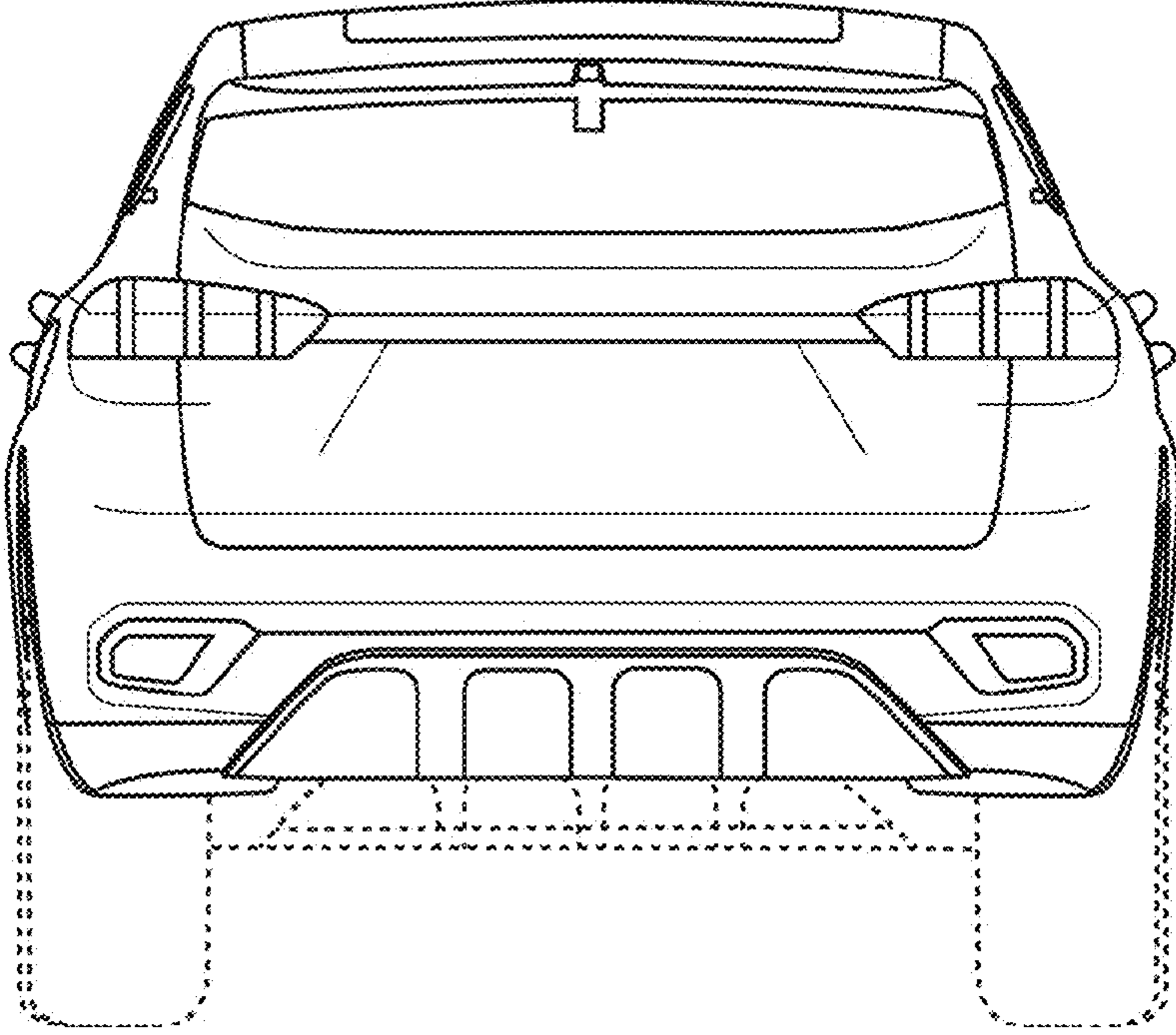


Figure 2

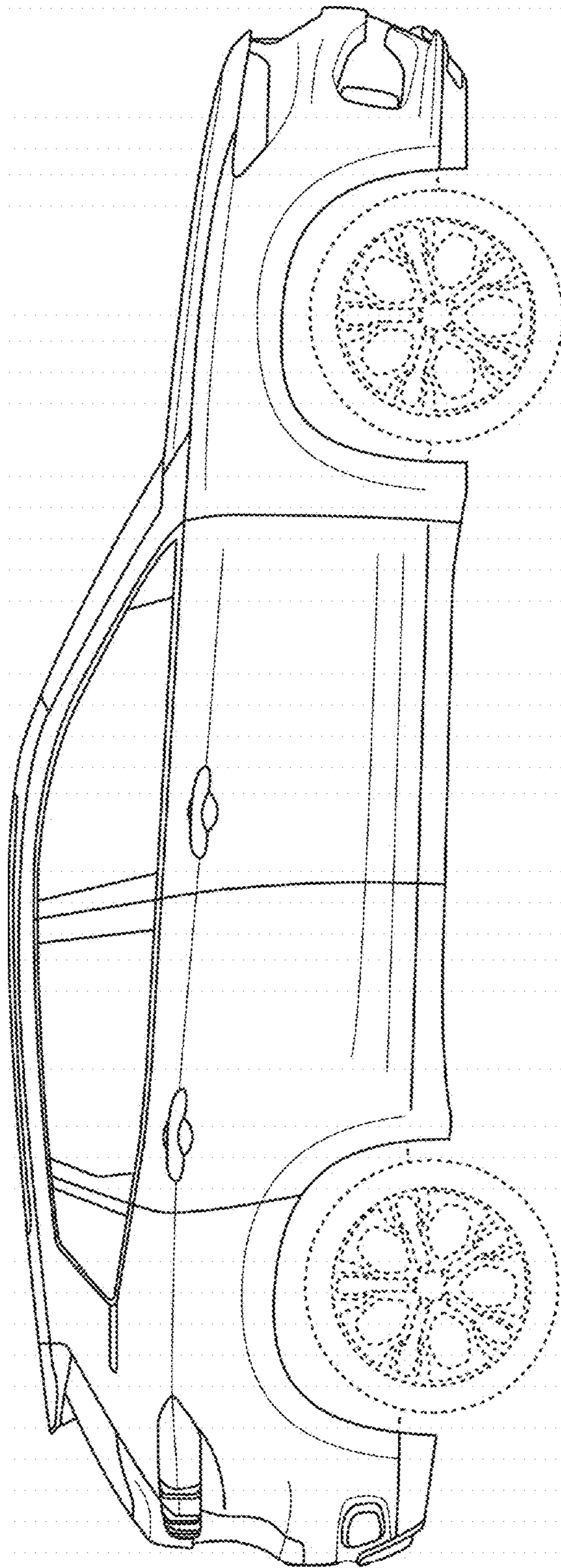


Figure 3

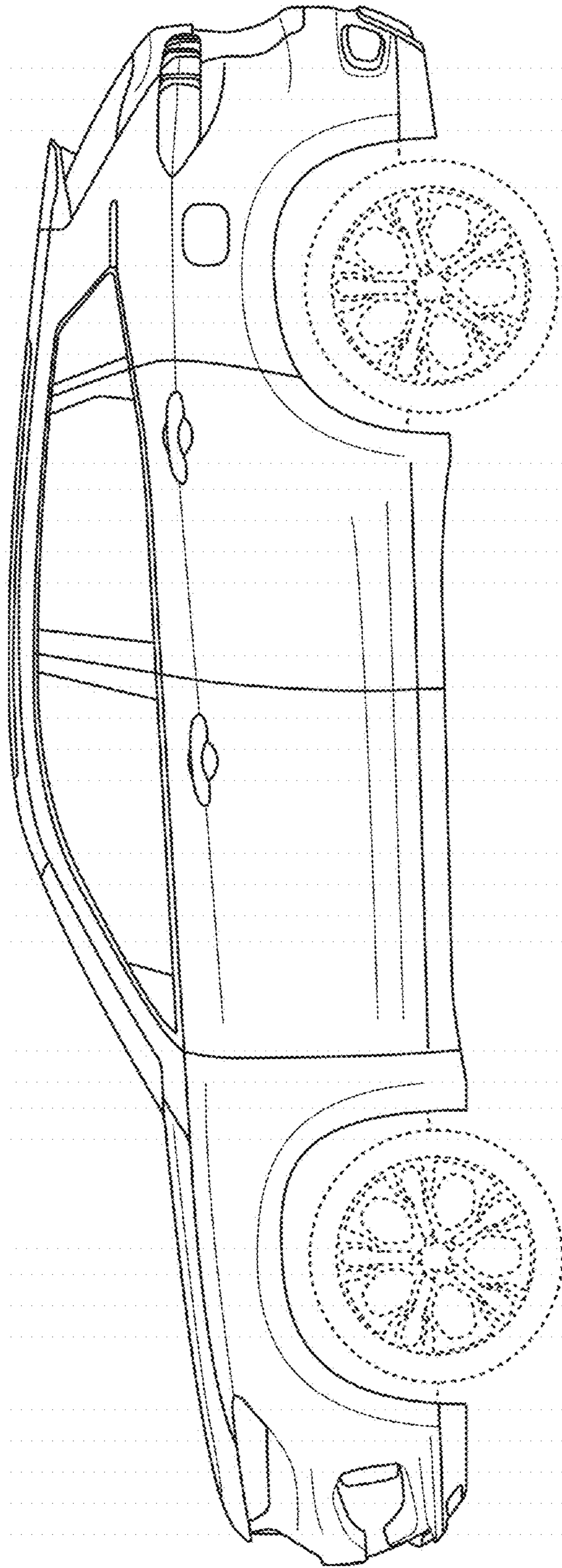


Figure 4

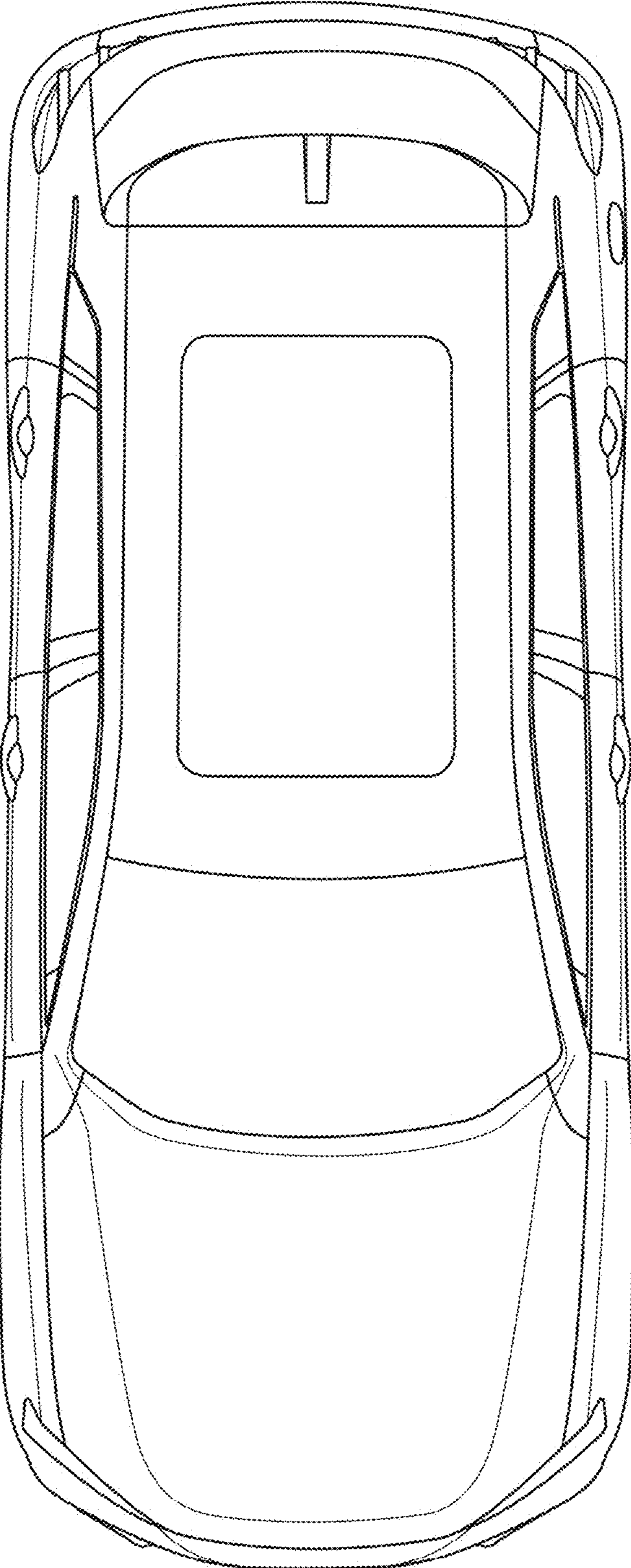


Figure 5

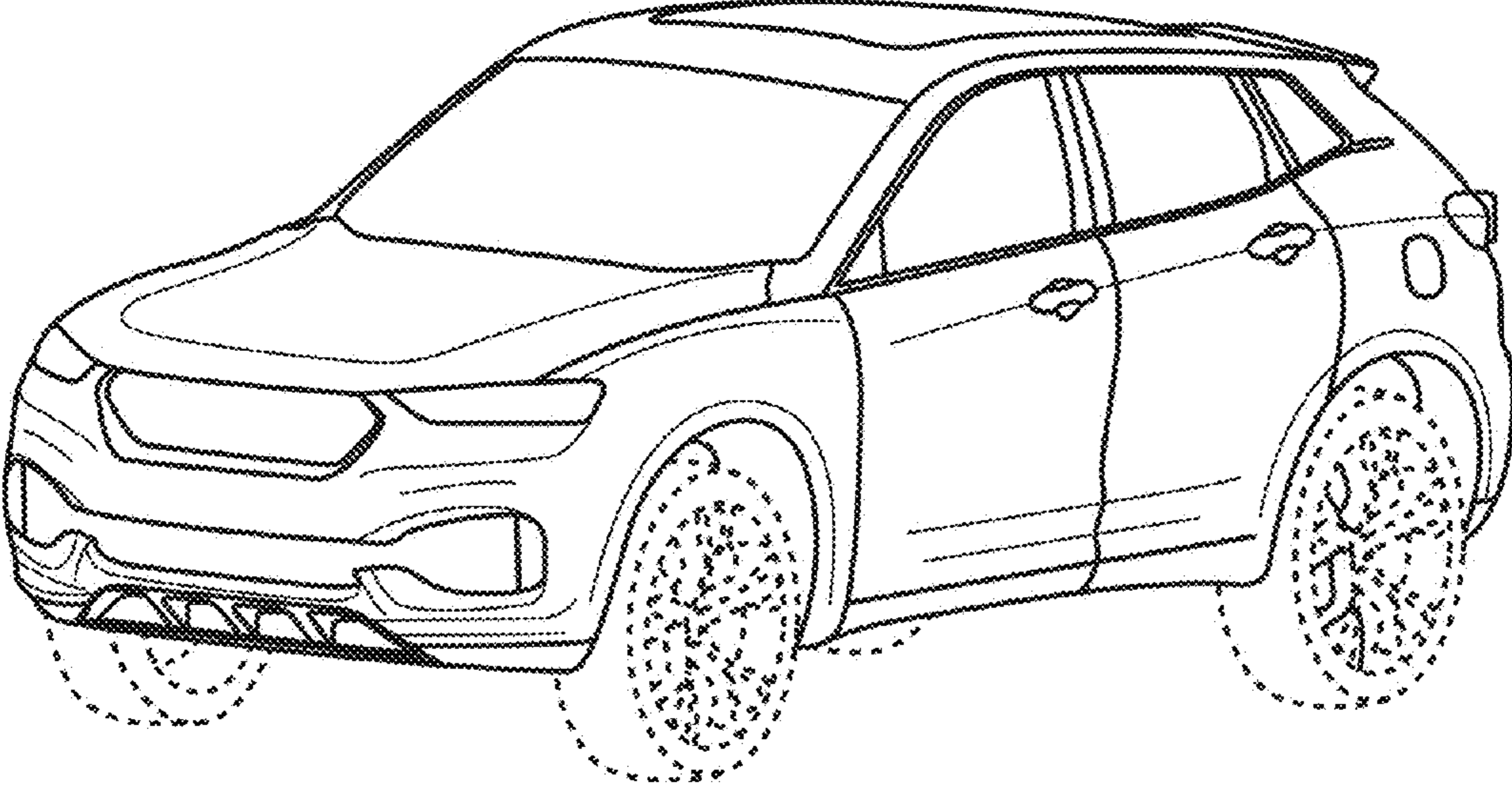


Figure 6

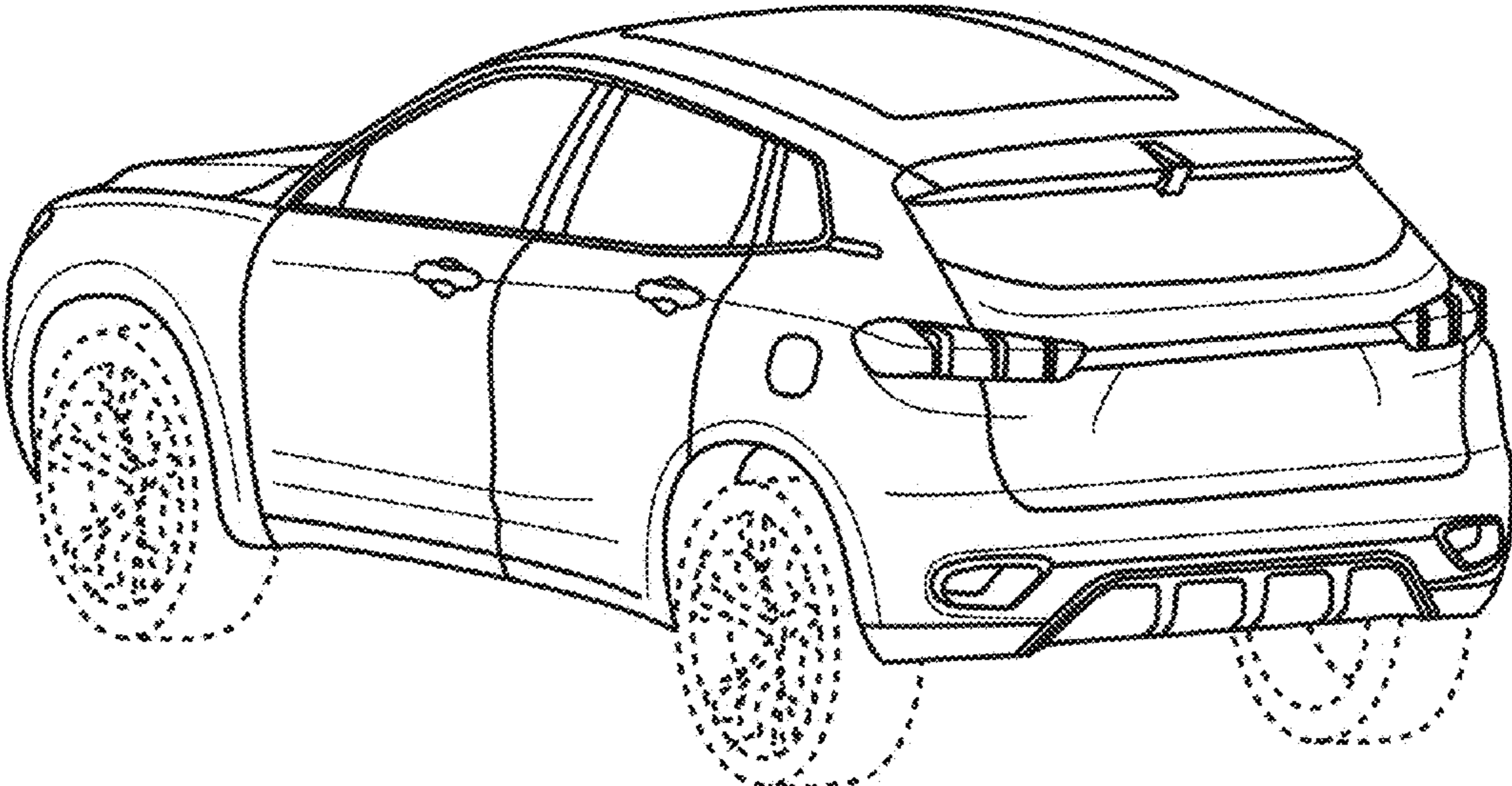


Figure 7