



US00D733001S

(12) **United States Design Patent**
Itou et al.

(10) **Patent No.:** **US D733,001 S**
(45) **Date of Patent:** **** Jun. 30, 2015**

- (54) **AUTOMOBILE**
- (71) Applicant: **NTN Corporation**, Osaka (JP)
- (72) Inventors: **Chinami Itou**, Iwata (JP); **Yoshinori Itakura**, Iwata (JP); **Minoru Suzuki**, Iwata (JP); **Hiromichi Bando**, Iwata (JP)
- (73) Assignee: **NTN Corporation**, Osaka (JP)
- (**) Term: **14 Years**
- (21) Appl. No.: **29/471,069**
- (22) Filed: **Oct. 28, 2013**

Related U.S. Application Data

- (63) Continuation-in-part of application No. 29/401,688, filed on Sep. 14, 2011, now abandoned.

Foreign Application Priority Data

- Mar. 15, 2011 (JP) 2011-005932
- (51) **LOC (10) Cl.** **12-08**
- (52) **U.S. Cl.**
USPC **D12/86**
- (58) **Field of Classification Search**
USPC D12/86, 90, 91, 92, 98; 296/37.6, 296/181.1, 181.5, 183.1; D21/424, 433, D21/434

See application file for complete search history.

References Cited

U.S. PATENT DOCUMENTS

- D165,195 S * 11/1951 Schulubohm D12/86
- D179,549 S * 1/1957 Rivolta D12/90
- D184,733 S 3/1959 Hofmeister
- D218,229 S * 8/1970 Ponthieu D12/85
- D256,482 S * 8/1980 Brown D21/427
- D273,098 S 3/1984 Ohhashi
- D320,958 S 10/1991 Kimura et al.

- D350,503 S 9/1994 Yang
- D351,873 S * 10/1994 Jones et al. D21/533
- D352,482 S 11/1994 Cannara et al.
- D356,285 S 3/1995 Yang
- D373,330 S 9/1996 Halajko
- D388,132 S 12/1997 Maxwell et al.
- D389,784 S * 1/1998 Ishikawa D12/92
- D391,897 S 3/1998 Murata
- D419,485 S 1/2000 Sturges
- D422,940 S 4/2000 Hanagan et al.
- D437,256 S * 2/2001 Parent D12/86
- D442,119 S 5/2001 Murata et al.
- D459,764 S * 7/2002 Hoelzel et al. D21/433
- D515,458 S 2/2006 Tolfsen et al.
- D591,645 S 5/2009 Murphy
- D603,296 S * 11/2009 Zhou et al. D12/86
- D615,905 S 5/2010 Arnell
- D619,931 S * 7/2010 Arnell D12/86
- D629,717 S 12/2010 Artioli
- D639,208 S 6/2011 Li
- D651,132 S 12/2011 Lambri et al.
- D678,424 S * 3/2013 Blanco et al. D21/534
- 2007/0182205 A1 8/2007 Hampel
- 2013/0098695 A1 * 4/2013 Itou et al. 180/6.28

* cited by examiner

Primary Examiner — Philip S Hyder

Assistant Examiner — Darlington Ly

(74) *Attorney, Agent, or Firm* — Wenderoth, Lind & Ponack, L.L.P.

(57) **CLAIM**

The ornamental design for an automobile, as shown and described.

DESCRIPTION

FIG. 1 is a front view of the automobile according to the design of the present invention;

FIG. 2 is a rear view of the automobile;

FIG. 3 is a right side view of the automobile;

FIG. 4 is a left side view of the automobile;

FIG. 5 is a top view of the automobile; and,

FIG. 6 is a perspective view of the automobile.

1 Claim, 3 Drawing Sheets

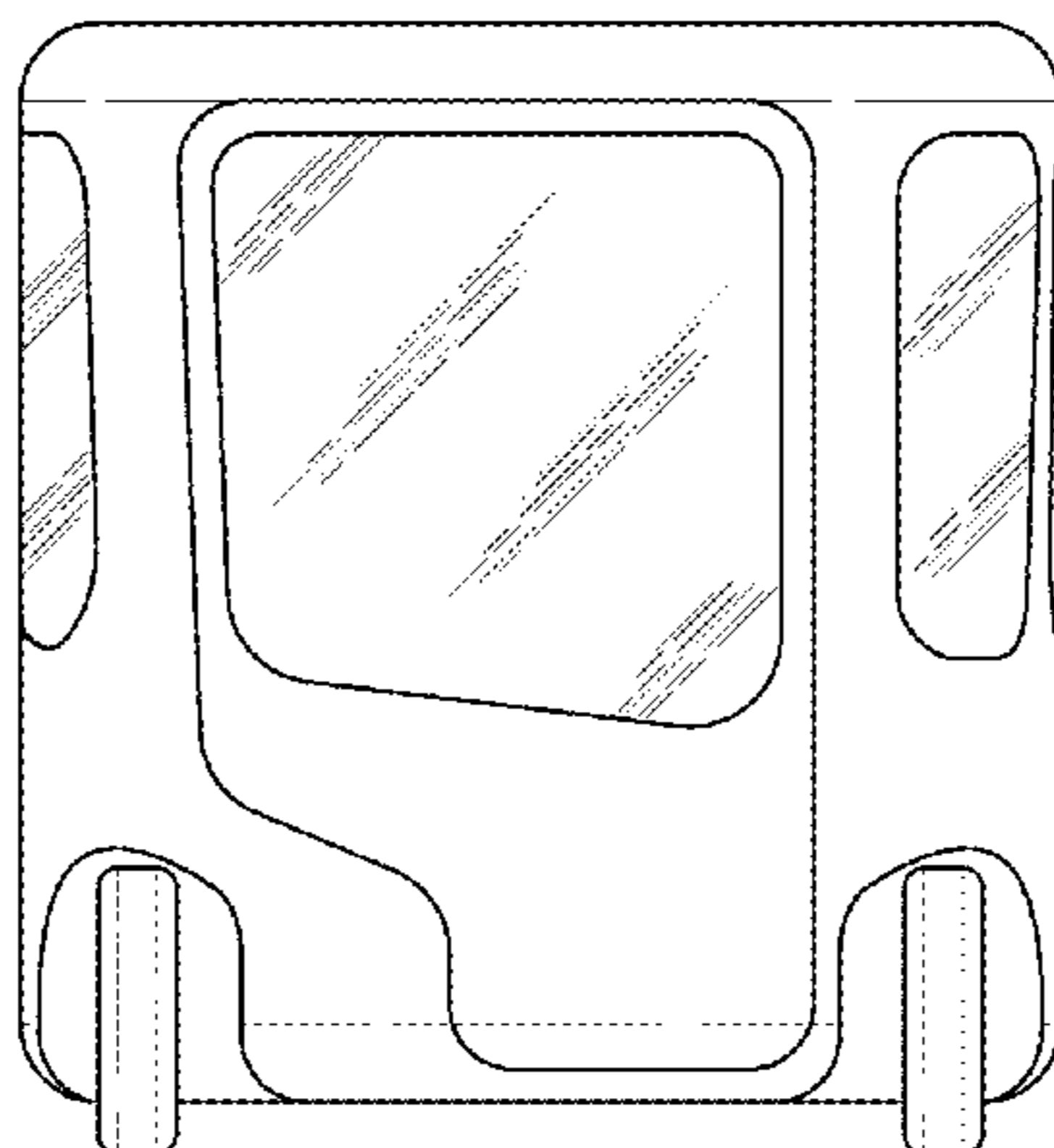


FIG. 1

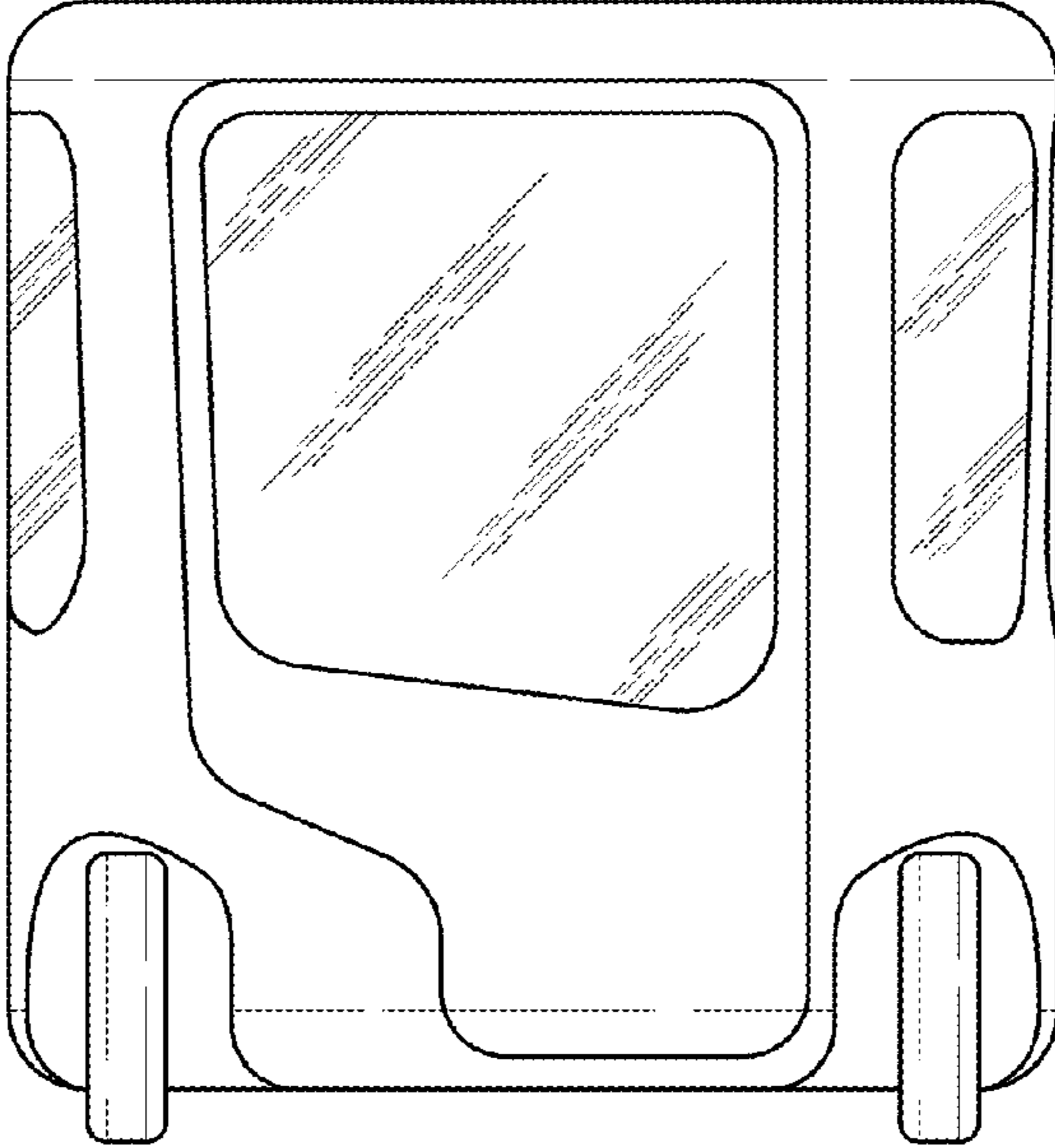


FIG. 2

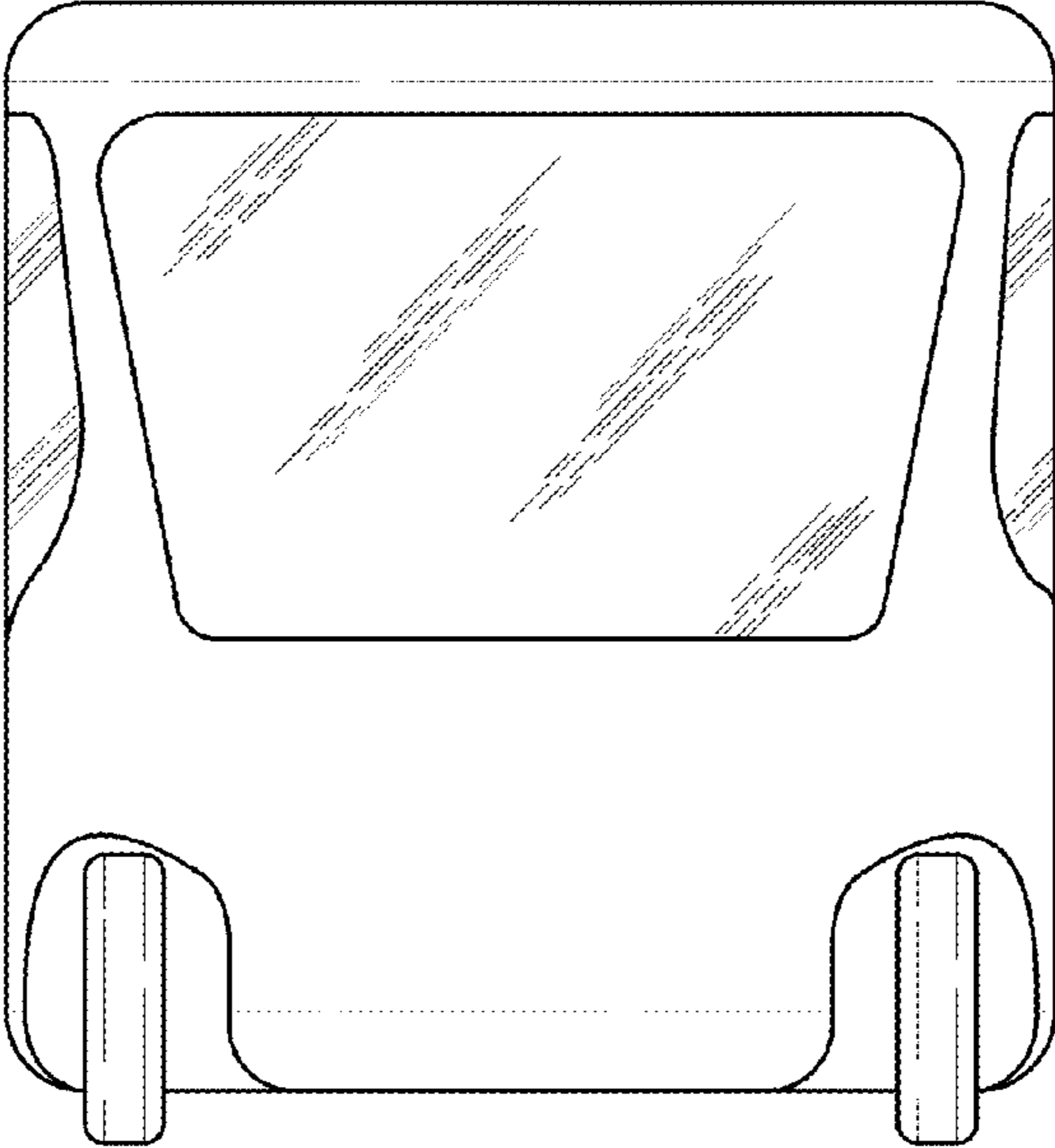


FIG. 3

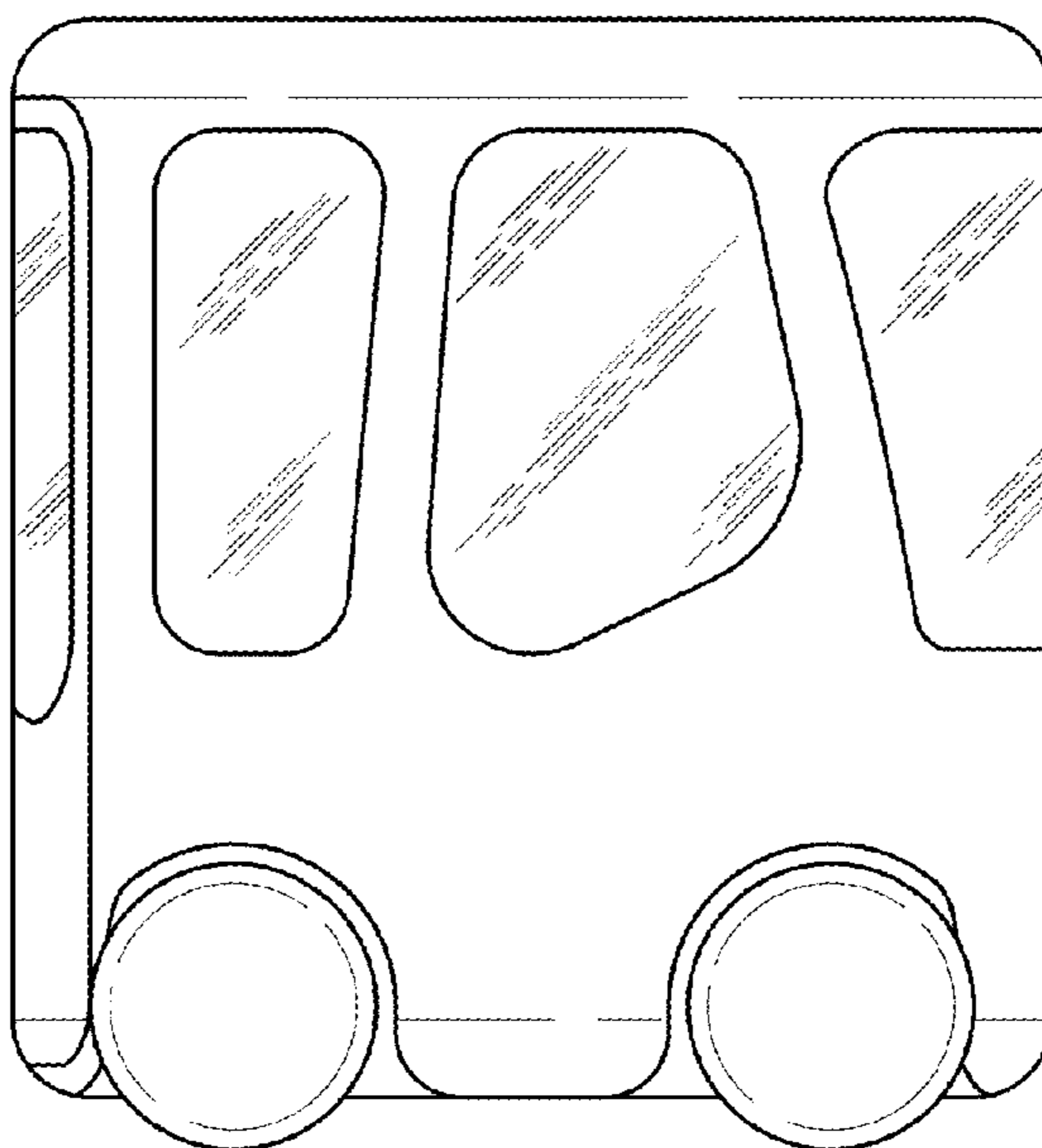


FIG. 4

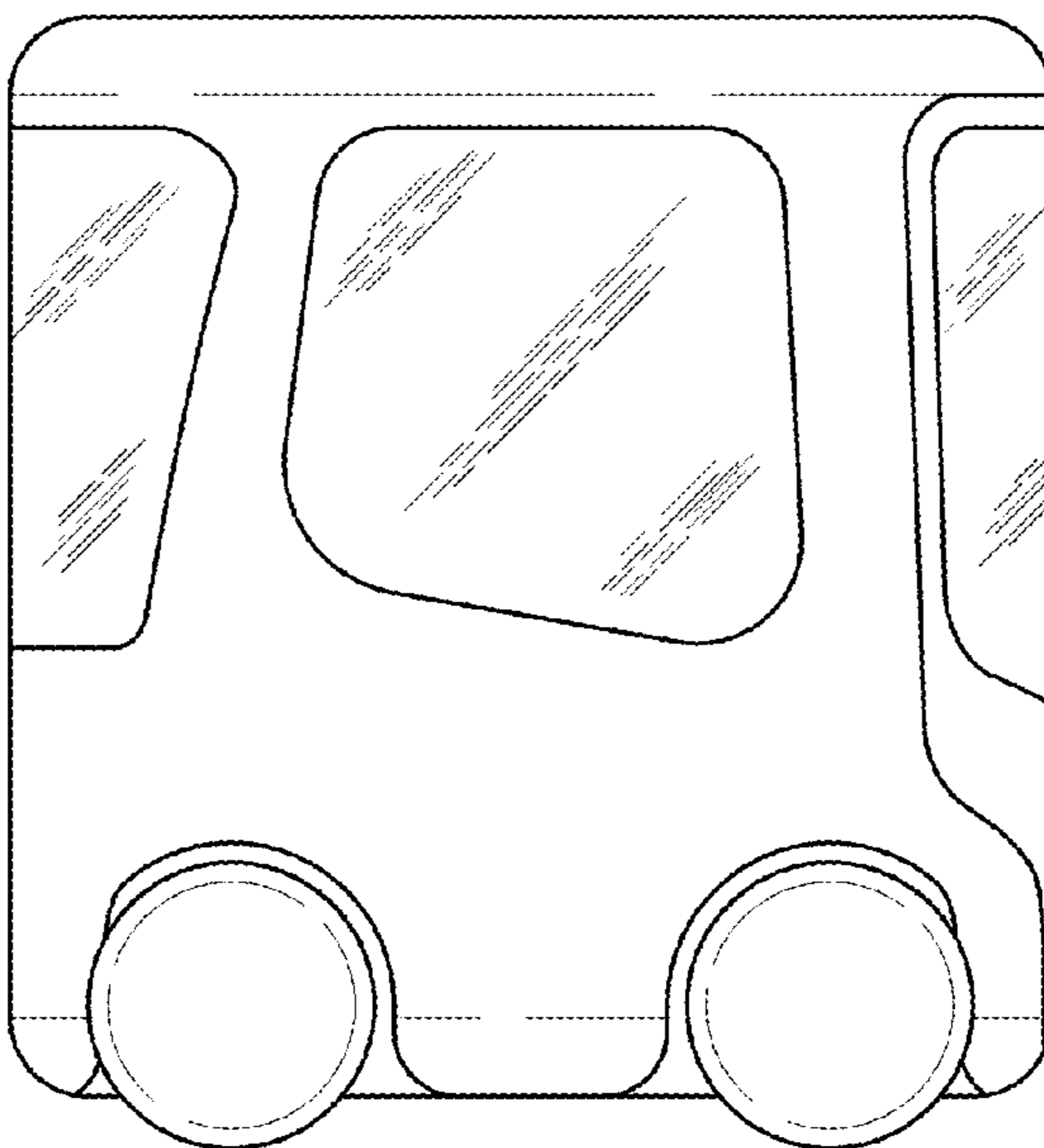


FIG. 5

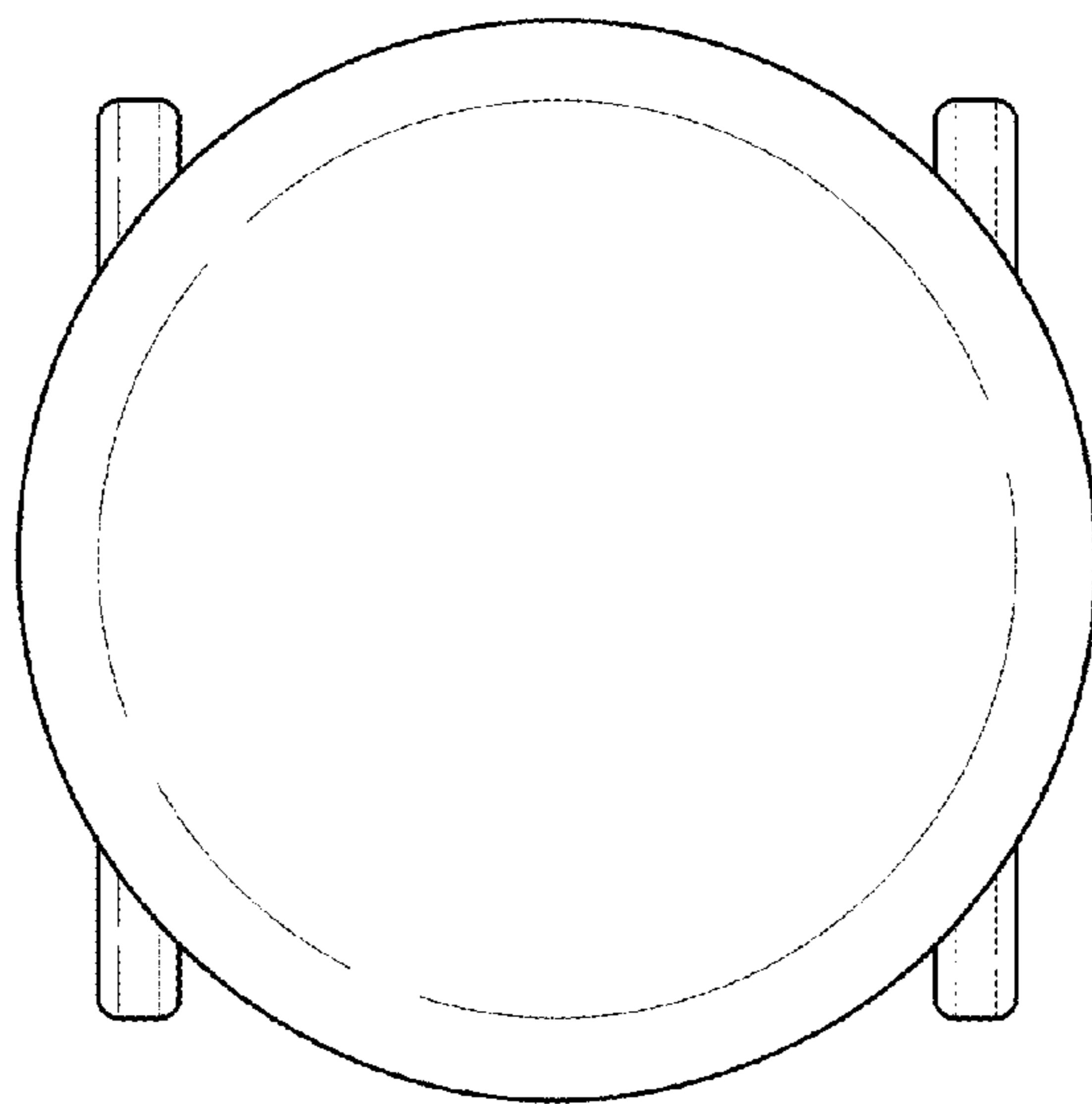


FIG. 6

