



US00D733000S

(12) **United States Design Patent**  
**Blouin**

(10) **Patent No.:** **US D733,000 S**

(45) **Date of Patent:** **\*\* Jun. 30, 2015**

- (54) **LEG FOR A RAISED GARDEN**
- (71) Applicant: **ATT Southern Inc**, Camp Hill, PA (US)
- (72) Inventor: **Carl Blouin**, Lévis (CA)
- (73) Assignee: **ATT SOUTHERN INC.**, Atlanta, GA (US)
- (\*\*) Term: **14 Years**
- (21) Appl. No.: **29/458,985**
- (22) Filed: **Jun. 25, 2013**
- (51) **LOC (10) Cl.** ..... **11-02**
- (52) **U.S. Cl.**  
USPC ..... **D11/164**
- (58) **Field of Classification Search**  
USPC ..... D11/143, 152, 155, 164, 184; D6/709,  
D6/711; 248/27.8; 47/33, 39, 66.1, 66.3  
See application file for complete search history.

(56) **References Cited**

**U.S. PATENT DOCUMENTS**

D452,783 S *	1/2002	Hecht et al.	.....	D6/495
D464,219 S *	10/2002	Hecht et al.	.....	D6/495
D548,924 S *	8/2007	Frankenberg	.....	D34/38
D602,283 S *	10/2009	Glenn	.....	D6/403
D606,773 S *	12/2009	Copp et al.	.....	D6/403
D638,744 S *	5/2011	Phillips et al.	.....	D11/155
D643,647 S *	8/2011	Owen et al.	.....	D6/403
D653,162 S *	1/2012	Moore et al.	.....	D11/155
D655,220 S *	3/2012	Rossi	.....	D11/145
D655,221 S *	3/2012	Adams	.....	D11/155
D658,538 S *	5/2012	Korzeniowski	.....	D11/143
D676,355 S *	2/2013	Williamsen	.....	D11/156
D688,892 S *	9/2013	Bowling	.....	D6/405
D692,795 S *	11/2013	Connell et al.	.....	D11/143

D699,044 S *	2/2014	Bowling	.....	D6/405
D701,734 S *	4/2014	Wagner et al.	.....	D7/605
D705,564 S *	5/2014	Probst et al.	.....	D6/405
D706,548 S *	6/2014	Laudon et al.	.....	D6/403
D711,282 S *	8/2014	Connell	.....	D11/149
D715,682 S *	10/2014	Taylor et al.	.....	D11/143
2006/0070298 A1 *	4/2006	Palsrok	.....	47/66.3
2011/0247268 A1 *	10/2011	Adams	.....	47/66.1
2014/0259913 A1 *	9/2014	Adams	.....	47/65.5

\* cited by examiner

*Primary Examiner* — Eric Goodman

*Assistant Examiner* — Amy Wierenga

(74) *Attorney, Agent, or Firm* — Eckert Seamans Cherin & Mellott, LLC; David C. Jenkins

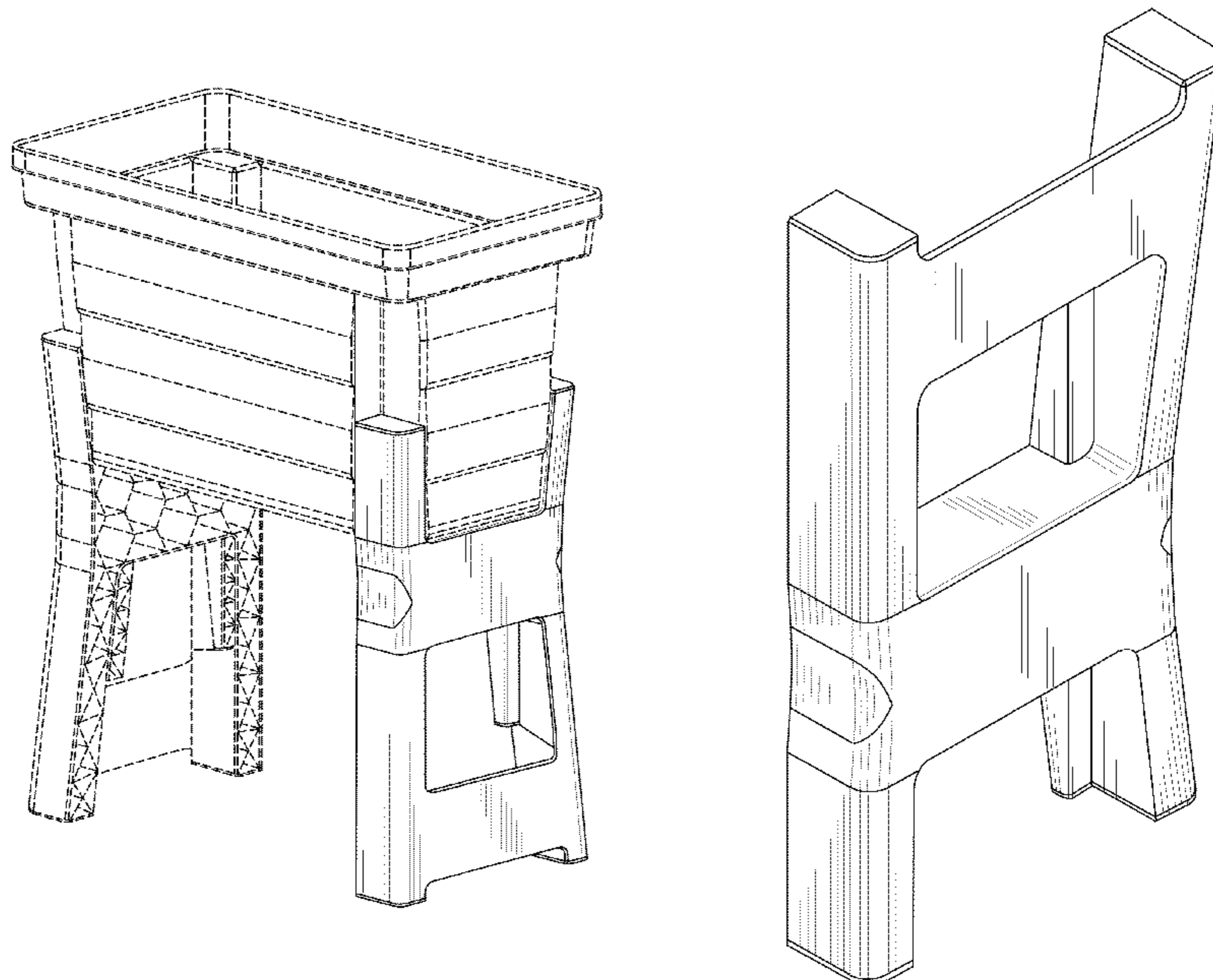
(57) **CLAIM**

The ornamental design for a leg for a raised garden, as shown and described.

**DESCRIPTION**

FIG. 1 is an isometric view of the leg for a raised garden; FIG. 2 is an isometric view of the leg for a raised garden in another orientation; FIG. 3 is a front isometric view of the leg for a raised garden; FIG. 4 is a back isometric view of the leg for a raised garden; FIG. 5 is a front view of the leg for a raised garden; FIG. 6 is a back view of the leg for a raised garden; FIG. 7 is a right side view of the leg for a raised garden; FIG. 8 is a left side view of the leg for a raised garden; FIG. 9 is a top view of the leg for a raised garden; and, FIG. 10 is a bottom view of the leg for a raised garden. The broken lines in the drawings depict environmental subject matter only and form no part of the claimed design.

**1 Claim, 7 Drawing Sheets**



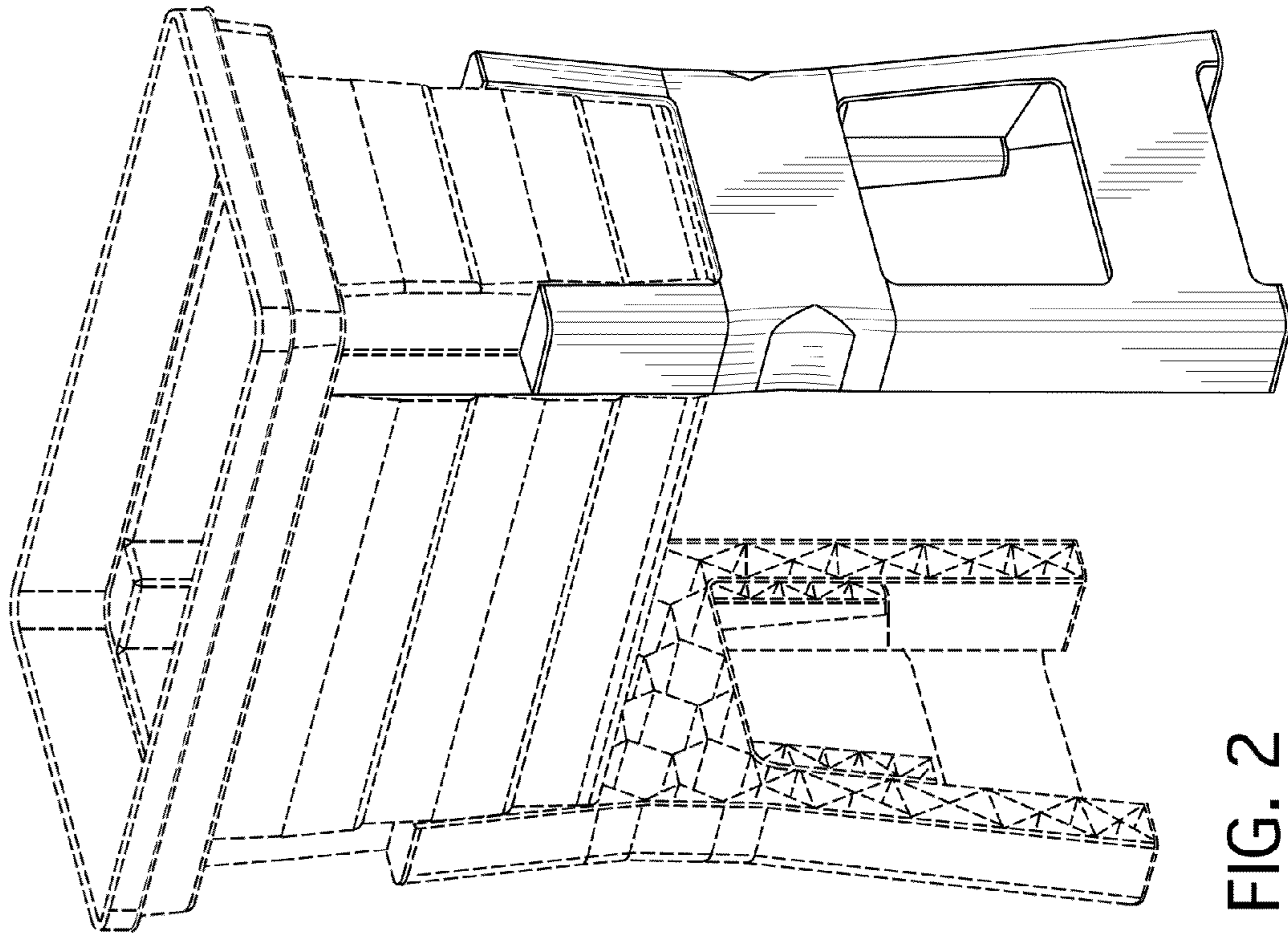


FIG. 2

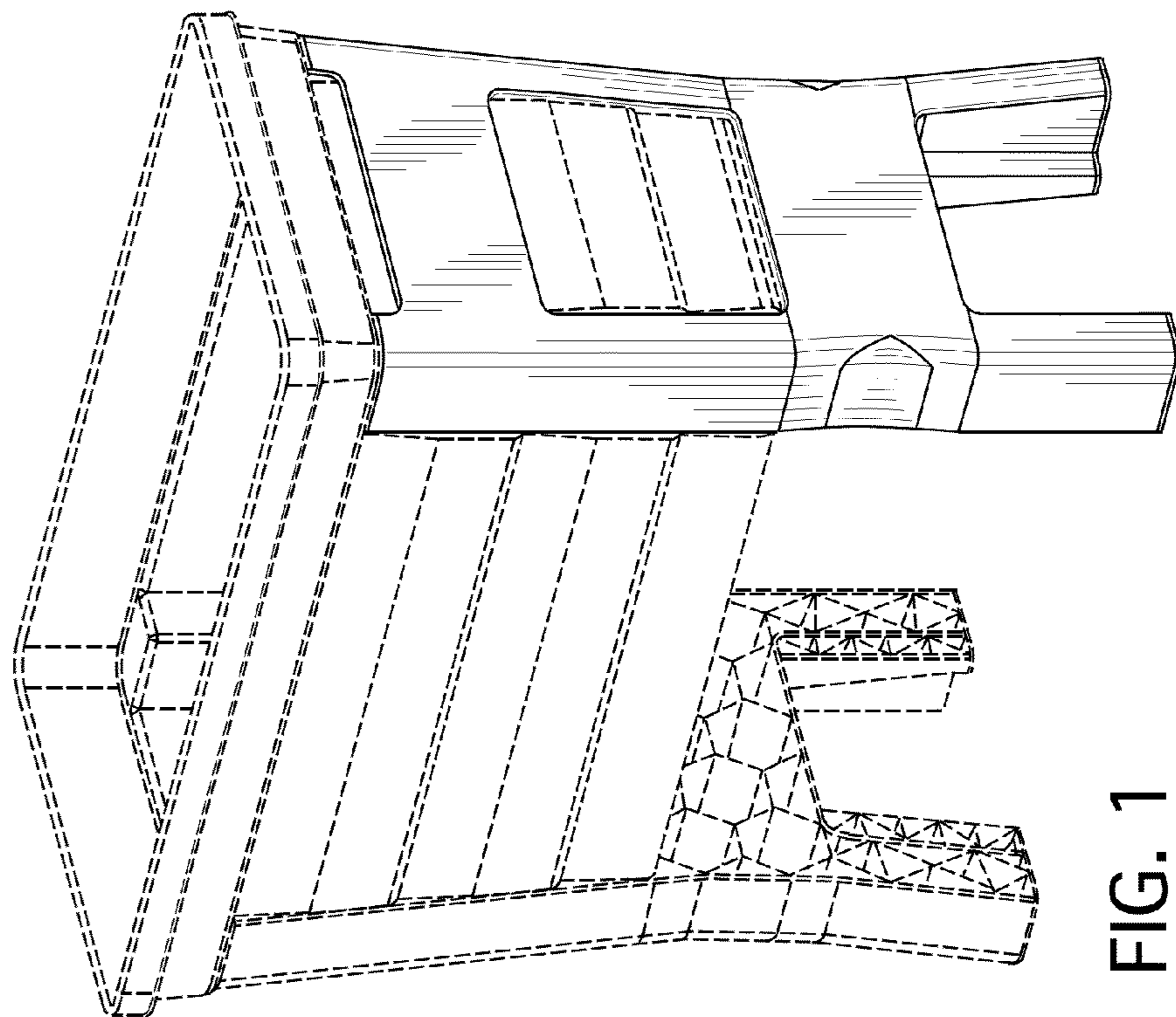


FIG. 1

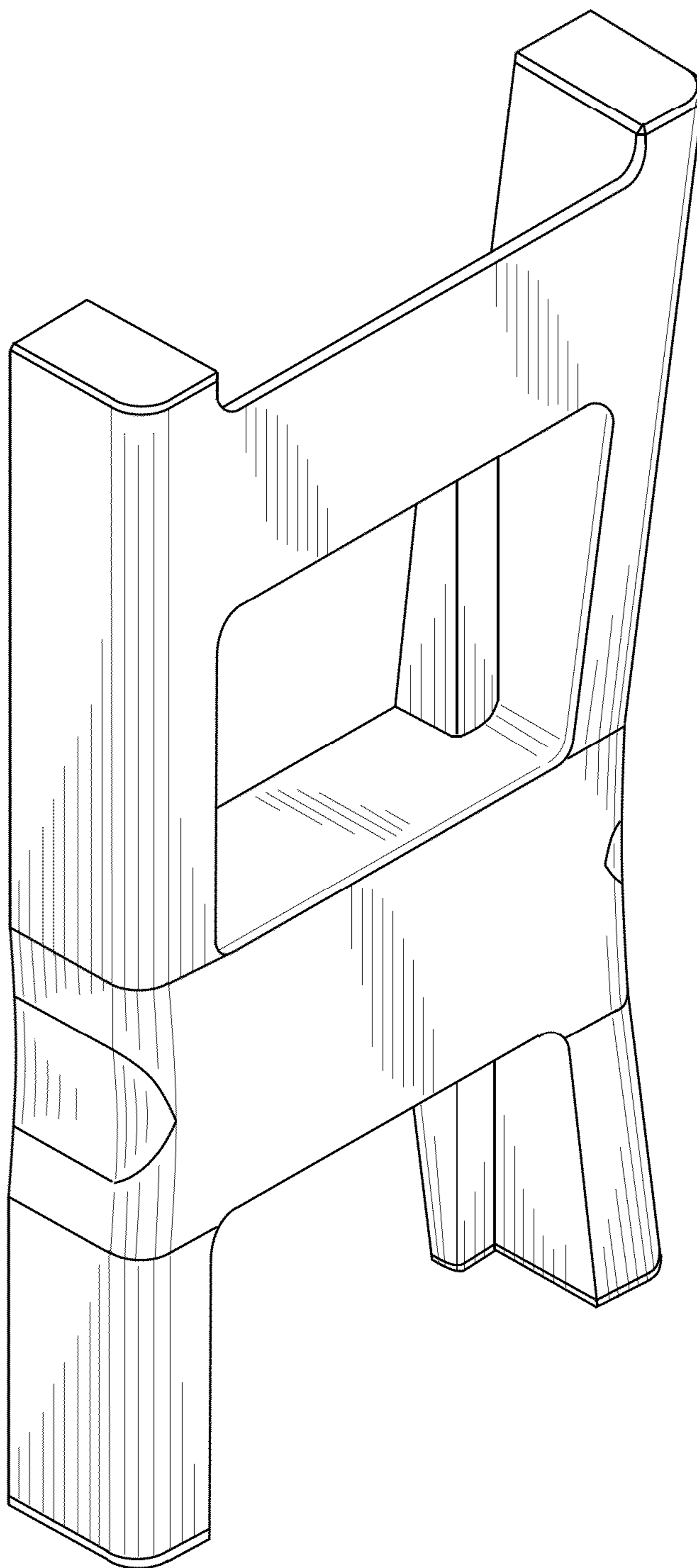


FIG. 3



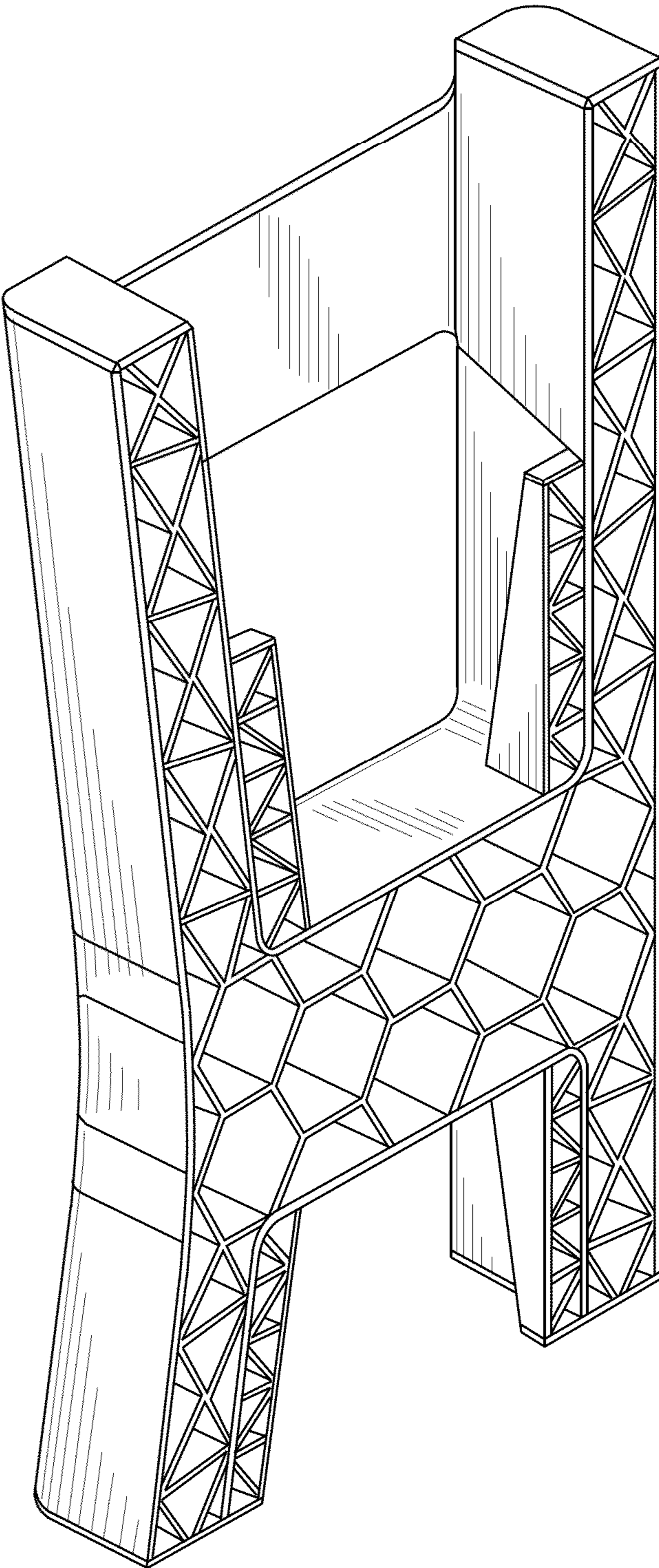


FIG. 4

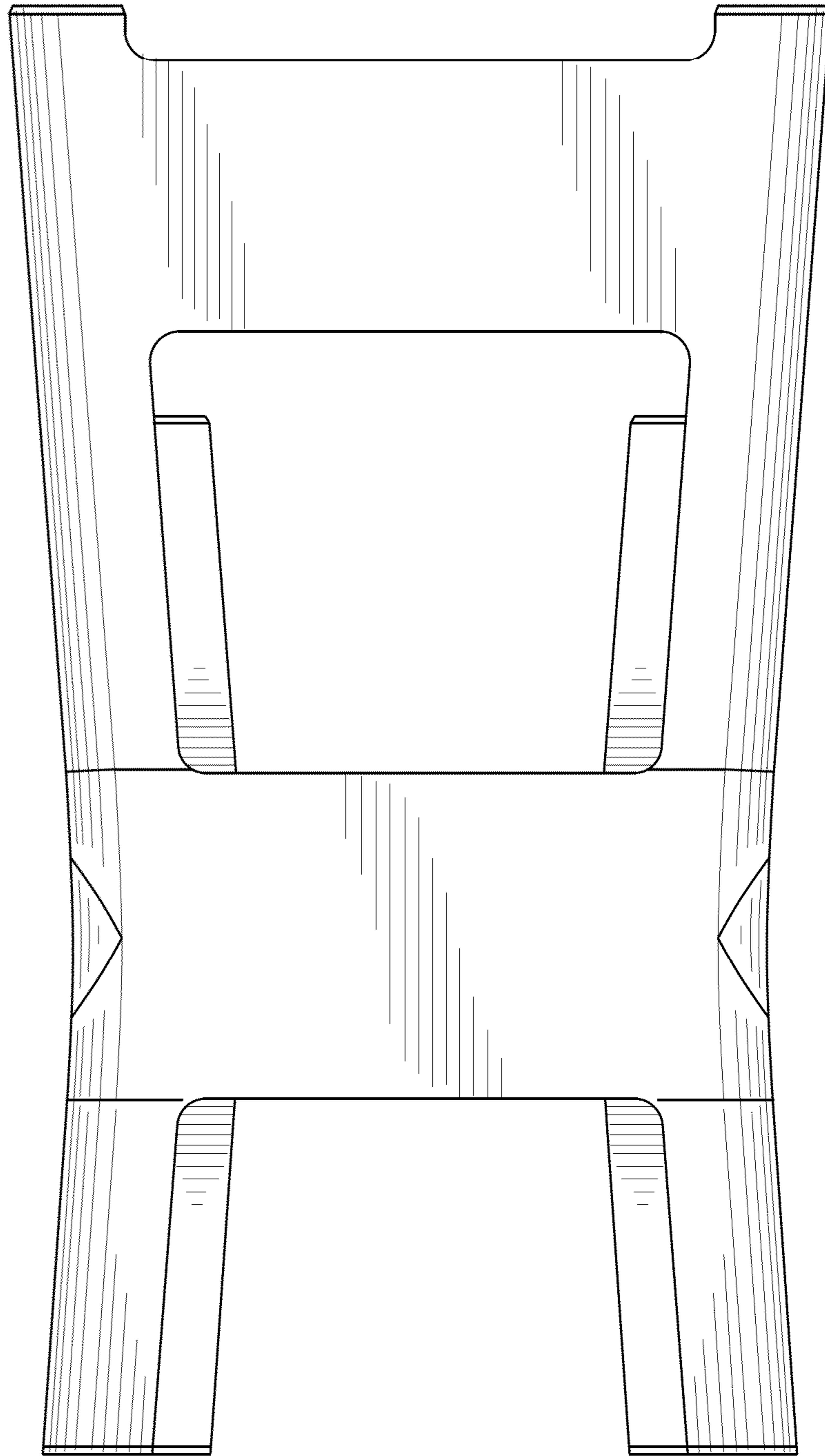


FIG. 5

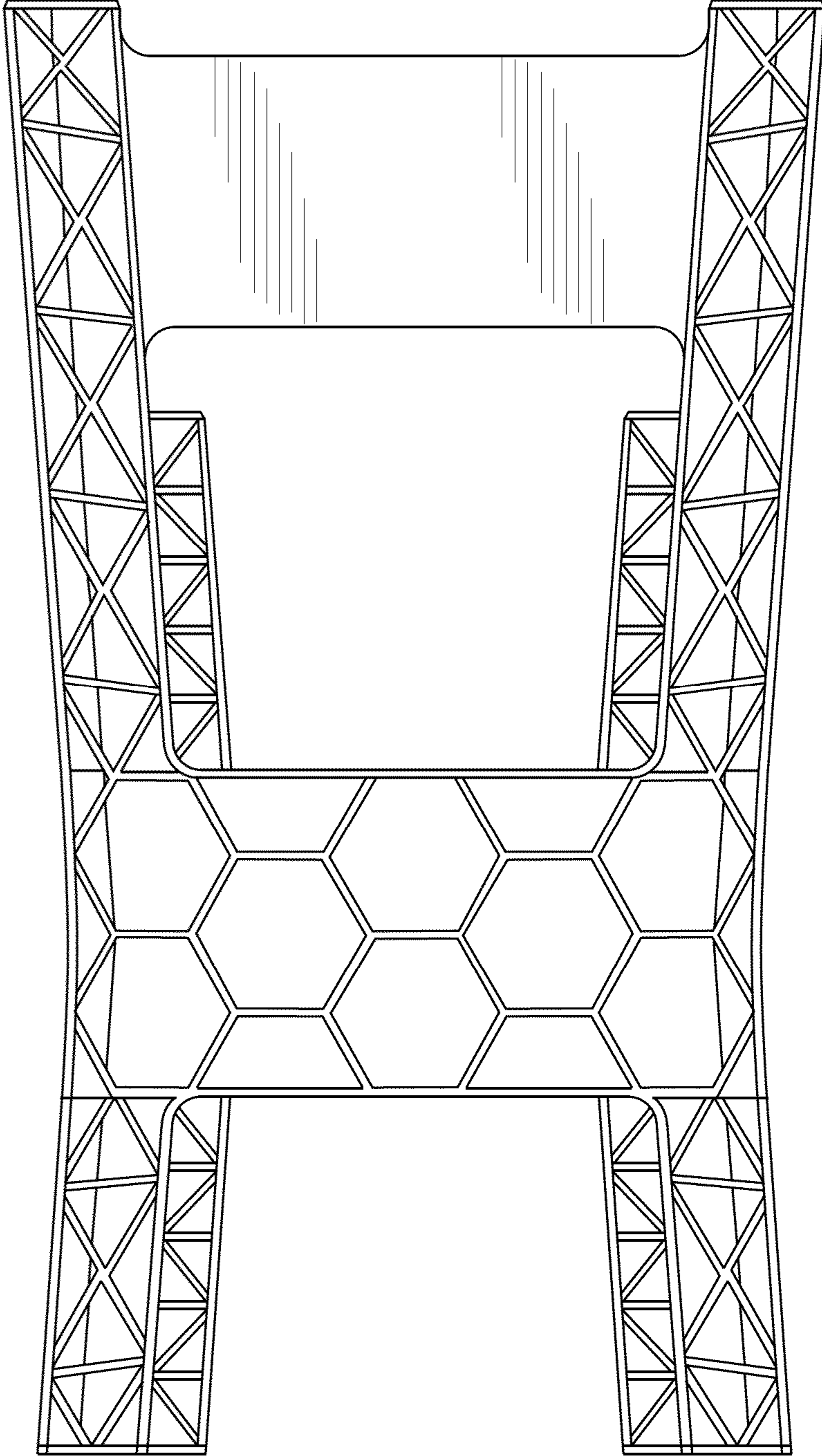


FIG. 6

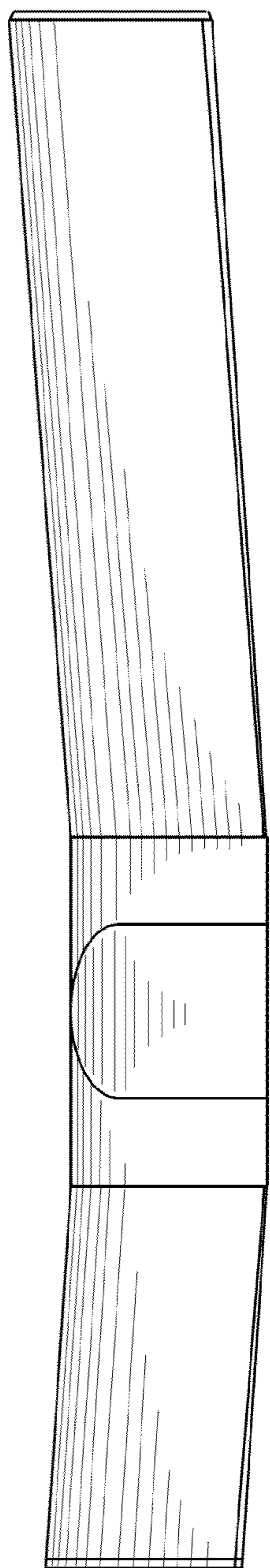


FIG. 7

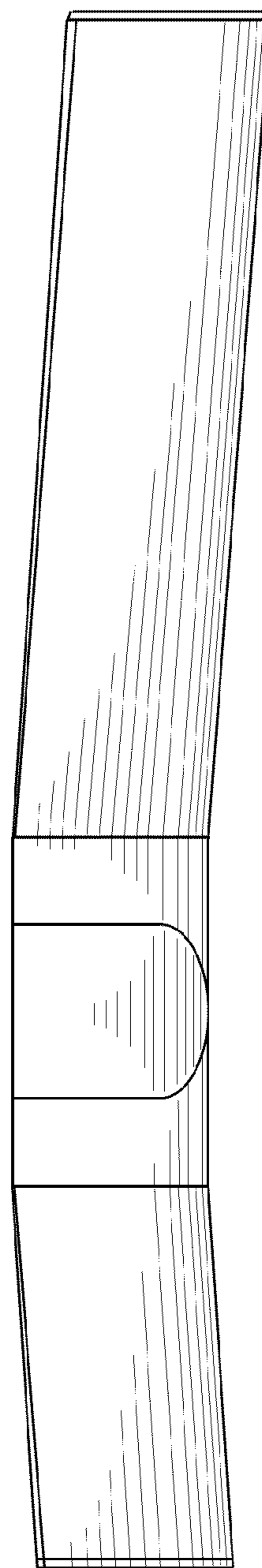


FIG. 8



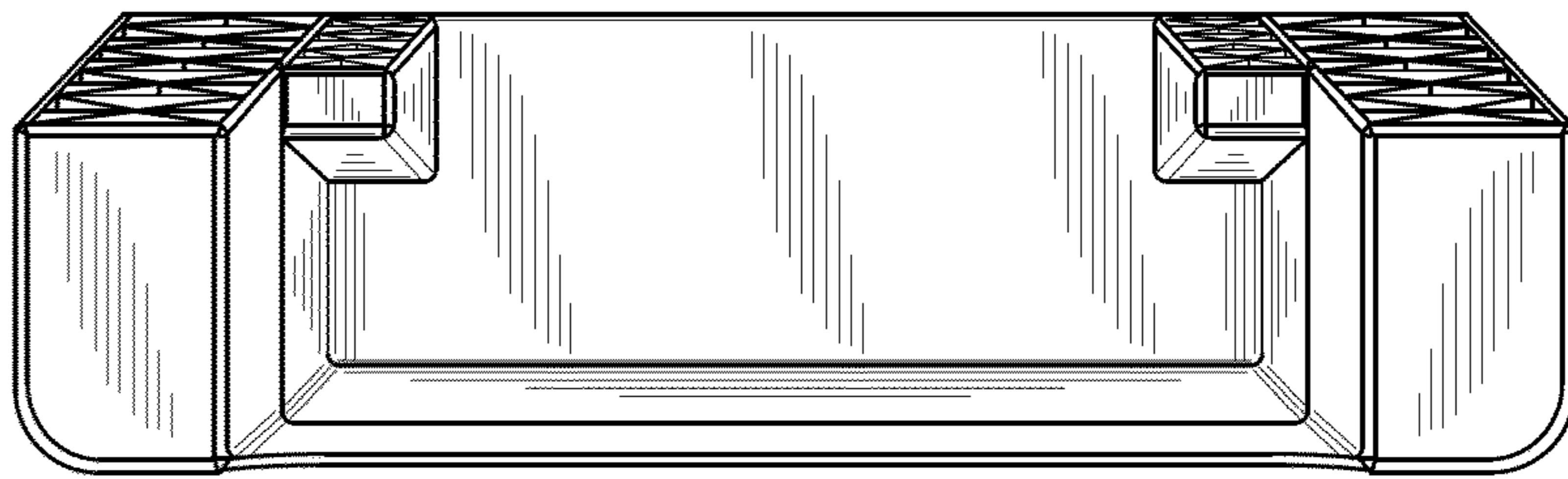


FIG. 9

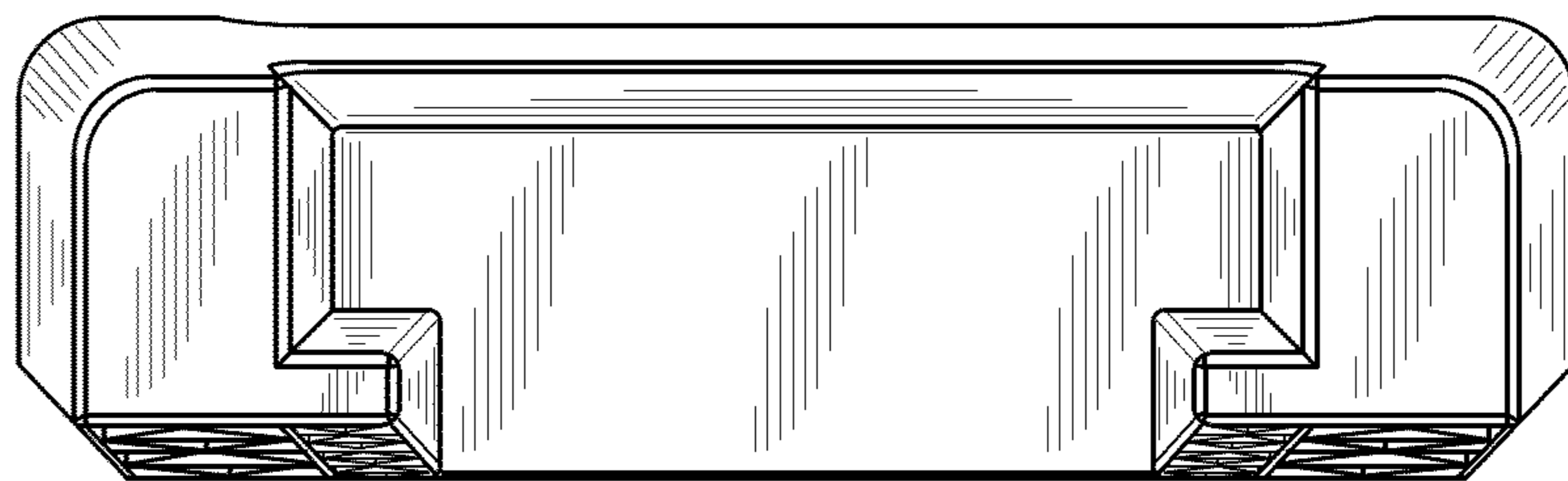


FIG. 10