

US00D732999S

(12) **United States Design Patent**
Siegel

(10) **Patent No.:** **US D732,999 S**
(45) **Date of Patent:** **** Jun. 30, 2015**

- (54) **FIGURINE**
- (71) Applicant: **Kamal Siegel**, Redmond, WA (US)
- (72) Inventor: **Kamal Siegel**, Redmond, WA (US)
- (**) Term: **14 Years**
- (21) Appl. No.: **29/444,711**
- (22) Filed: **Feb. 1, 2013**
- (51) **LOC (10) Cl.** **11-02**
- (52) **U.S. Cl.**
USPC **D11/160**
- (58) **Field of Classification Search**
USPC D11/134, 136, 149, 157, 160, 184;
D21/576, 585, 621; 446/330, 371, 376
See application file for complete search history.

6,422,916	B1 *	7/2002	Enku	446/330
D537,130	S *	2/2007	Kitamura	D21/621
7,237,690	B2 *	7/2007	Stern	221/24
D594,776	S	6/2009	Teshome	
D622,332	S	8/2010	Pence	
7,815,485	B2 *	10/2010	Moothedath et al.	446/352
D680,589	S *	4/2013	Hardy et al.	D20/31
D706,352	S *	6/2014	Hardy et al.	D20/31

OTHER PUBLICATIONS

<https://www.etsy.com/listing/185260227/new-art-class-wooden-figure-8-male?ref=market> listed Jan. 22, 2015.*
http://cnmannequin.en.alibaba.com/product/211690630-219937129/wooden_mannequin.html copyrighted 1999-2014 found Feb. 9, 2015.*

* cited by examiner

Primary Examiner — Eric Goodman
Assistant Examiner — Amy Wierenga
 (74) *Attorney, Agent, or Firm* — QuickPatents; Kevin Prince

(56) **References Cited**
U.S. PATENT DOCUMENTS

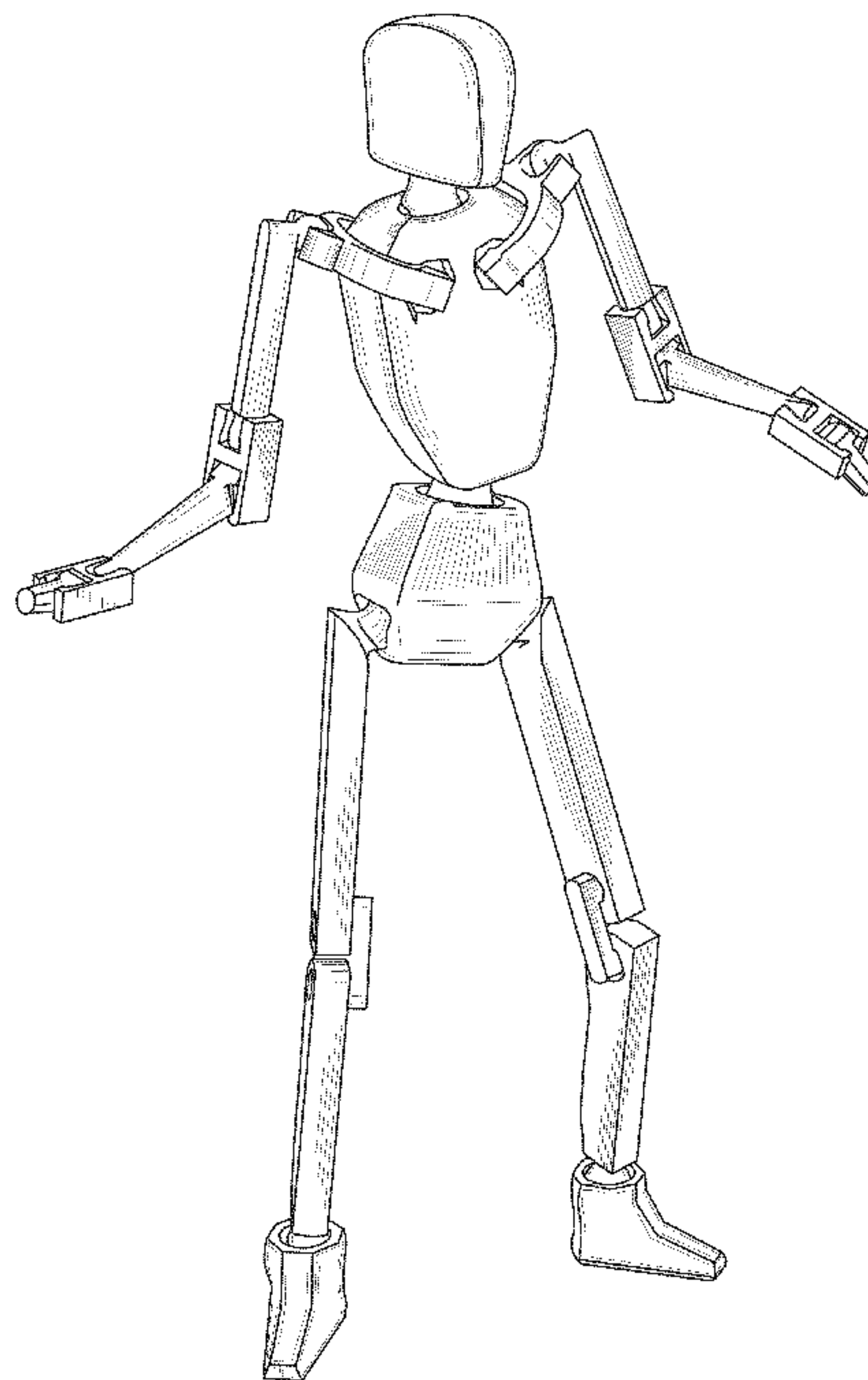
D172,709	S	1/1876	Crandall	
D59,051	S *	9/1921	Wilcox	D21/621
2,454,899	A *	11/1948	Twomey	434/86
D187,177	S	2/1960	Lawson	
D193,725	S	10/1962	Him	
D201,778	S	7/1965	Berman	
D233,238	S *	10/1974	Warwick et al.	D19/62
D251,693	S	4/1979	Van Koert	
D316,876	S	5/1991	Heseltine	
D329,664	S	9/1992	Wagener	
D353,856	S *	12/1994	Ryaa et al.	D21/621
D361,793	S	8/1995	Hayden	
5,480,074	A *	1/1996	Duncan et al.	223/66
D403,359	S	12/1998	Dahl	
6,089,950	A *	7/2000	Lee et al.	446/376
D459,416	S	6/2002	Rodgers	

(57) **CLAIM**
 I claim the ornamental design for a figurine, as shown and described.

DESCRIPTION

FIG. 1 is a perspective view of a figurine showing my new design in a posture position;
 FIG. 2 is a front elevation view of a figurine, illustrated in a neutral posture position;
 FIG. 3 is a rear elevation view of FIG. 2;
 FIG. 4 is a right-side elevation view of FIG. 2, the left-side elevation view being a mirror image thereof;
 FIG. 5 is a top plan view of FIG. 2; and,
 FIG. 6 is a bottom plan view of FIG. 2.

1 Claim, 3 Drawing Sheets



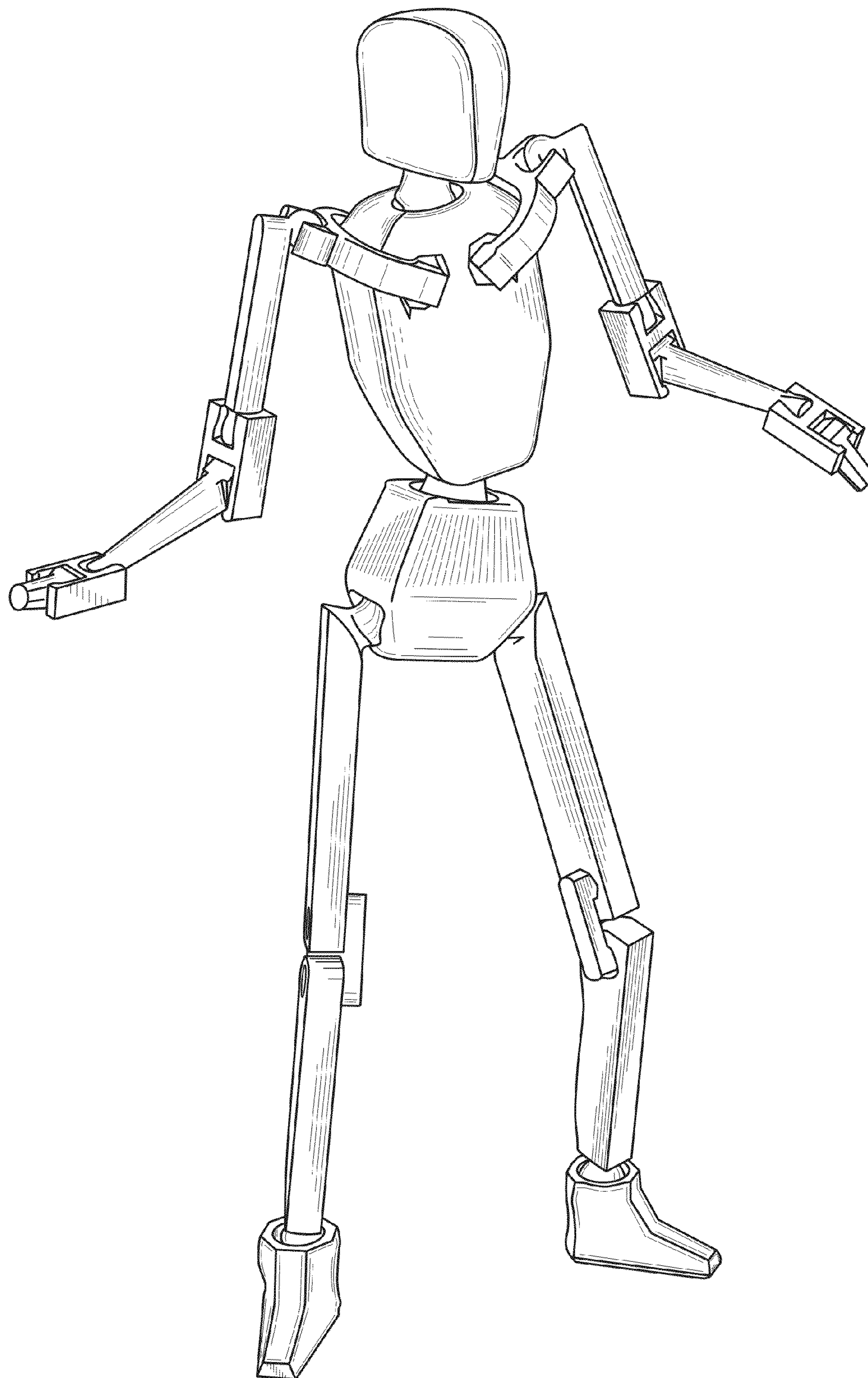


FIG. 1

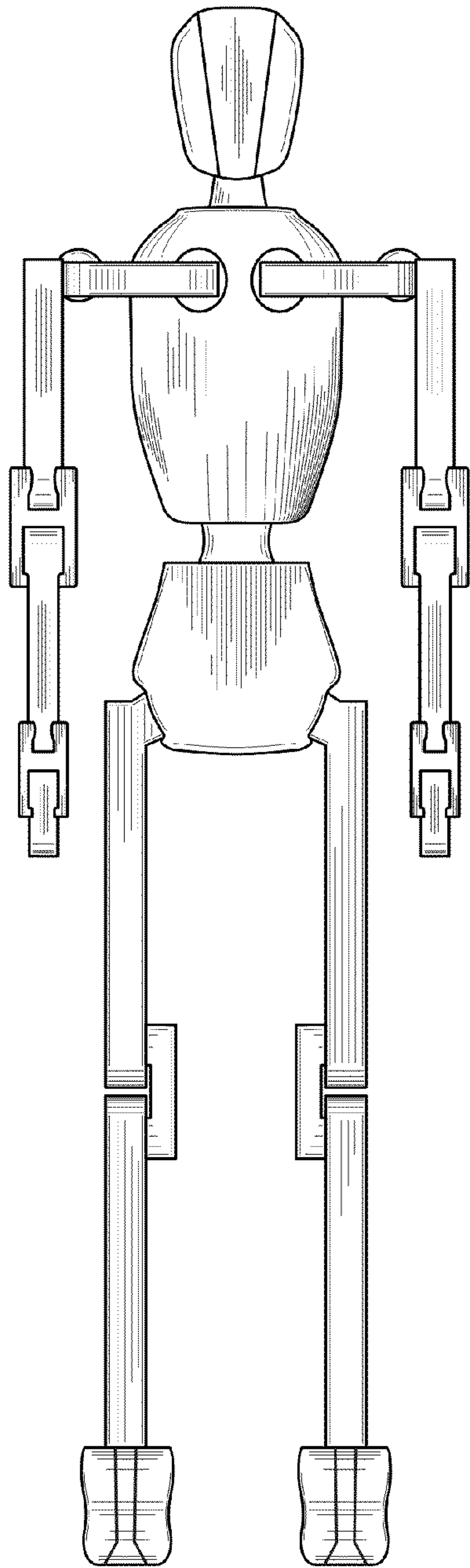


FIG. 2

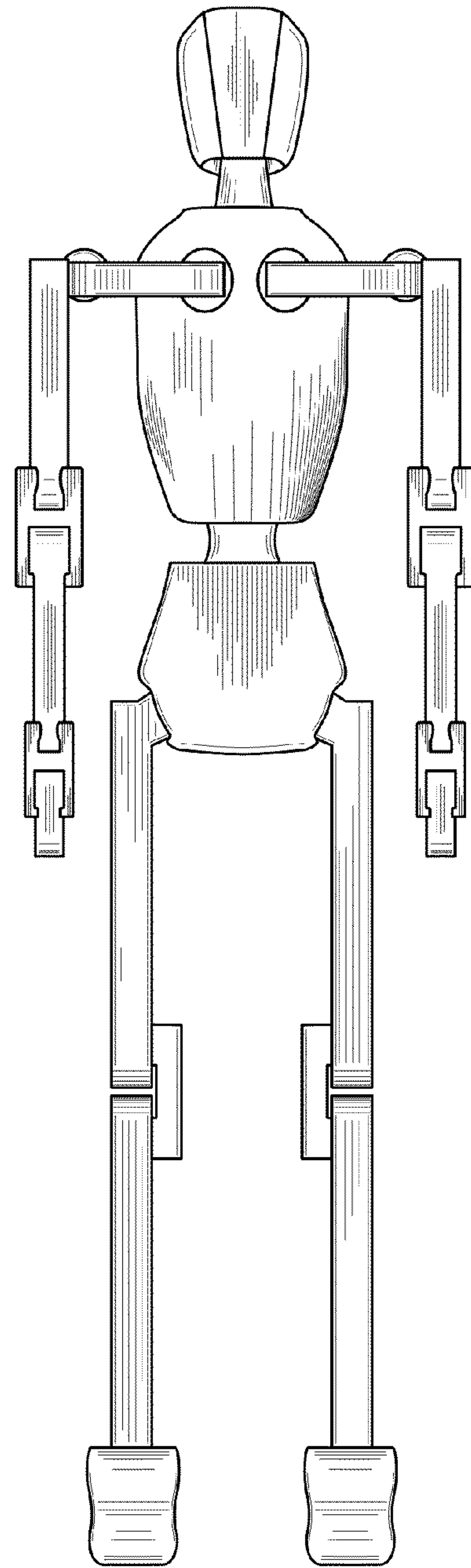


FIG. 3

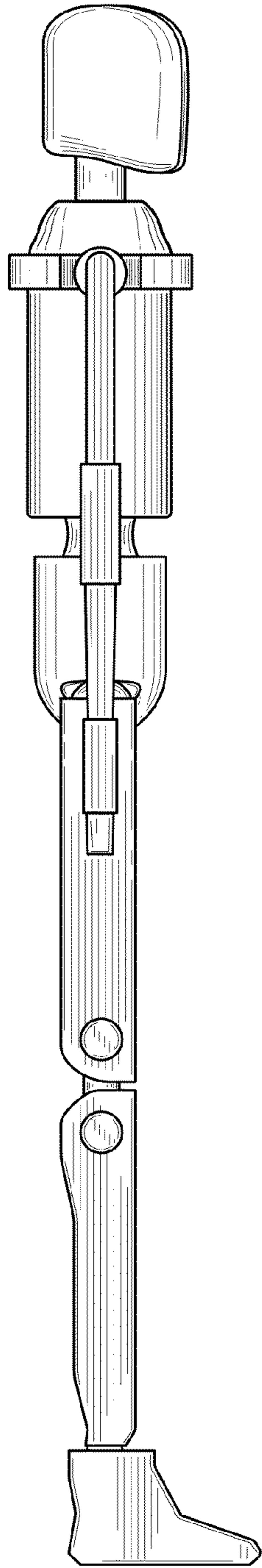


FIG. 4

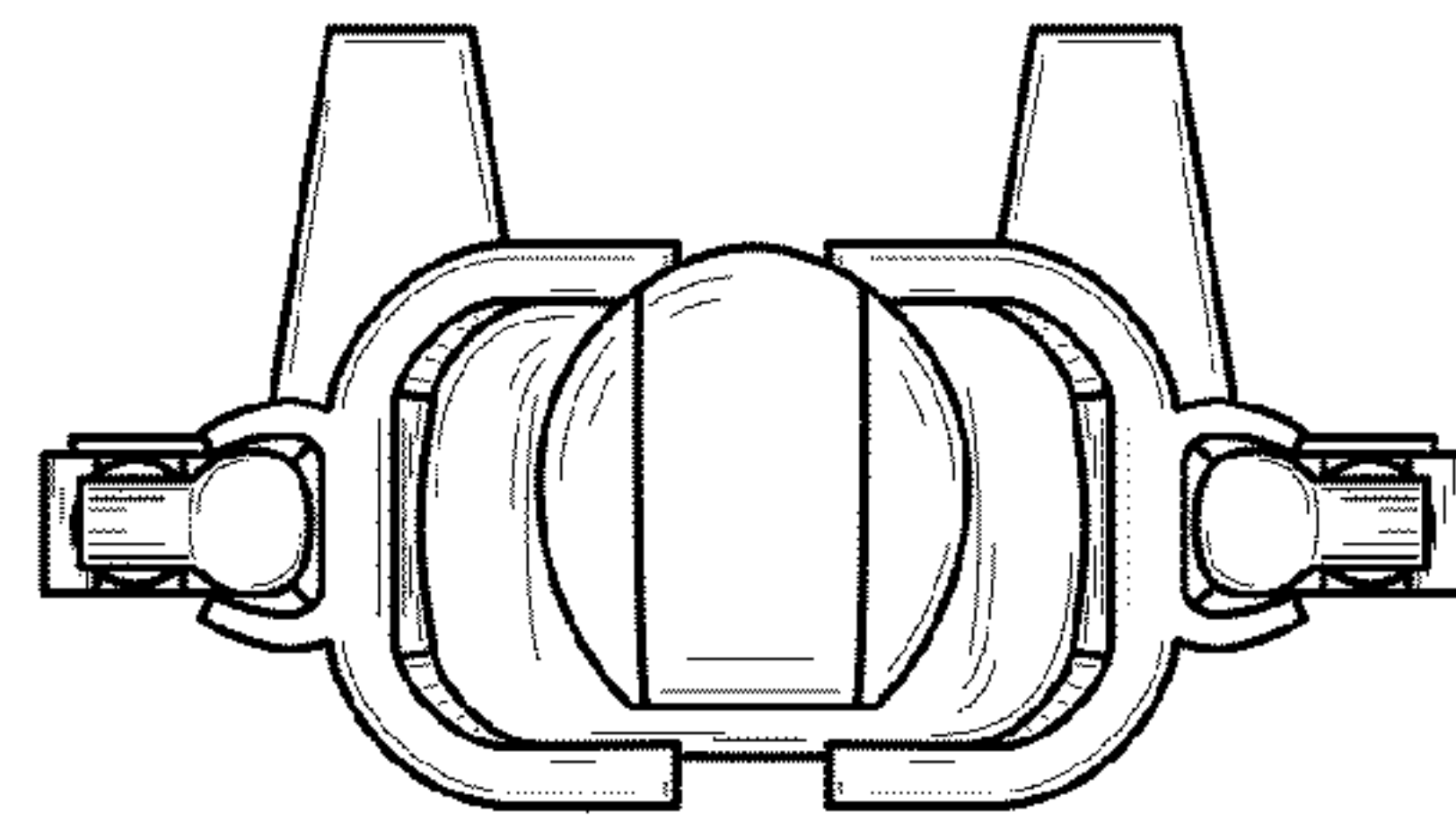


FIG. 5

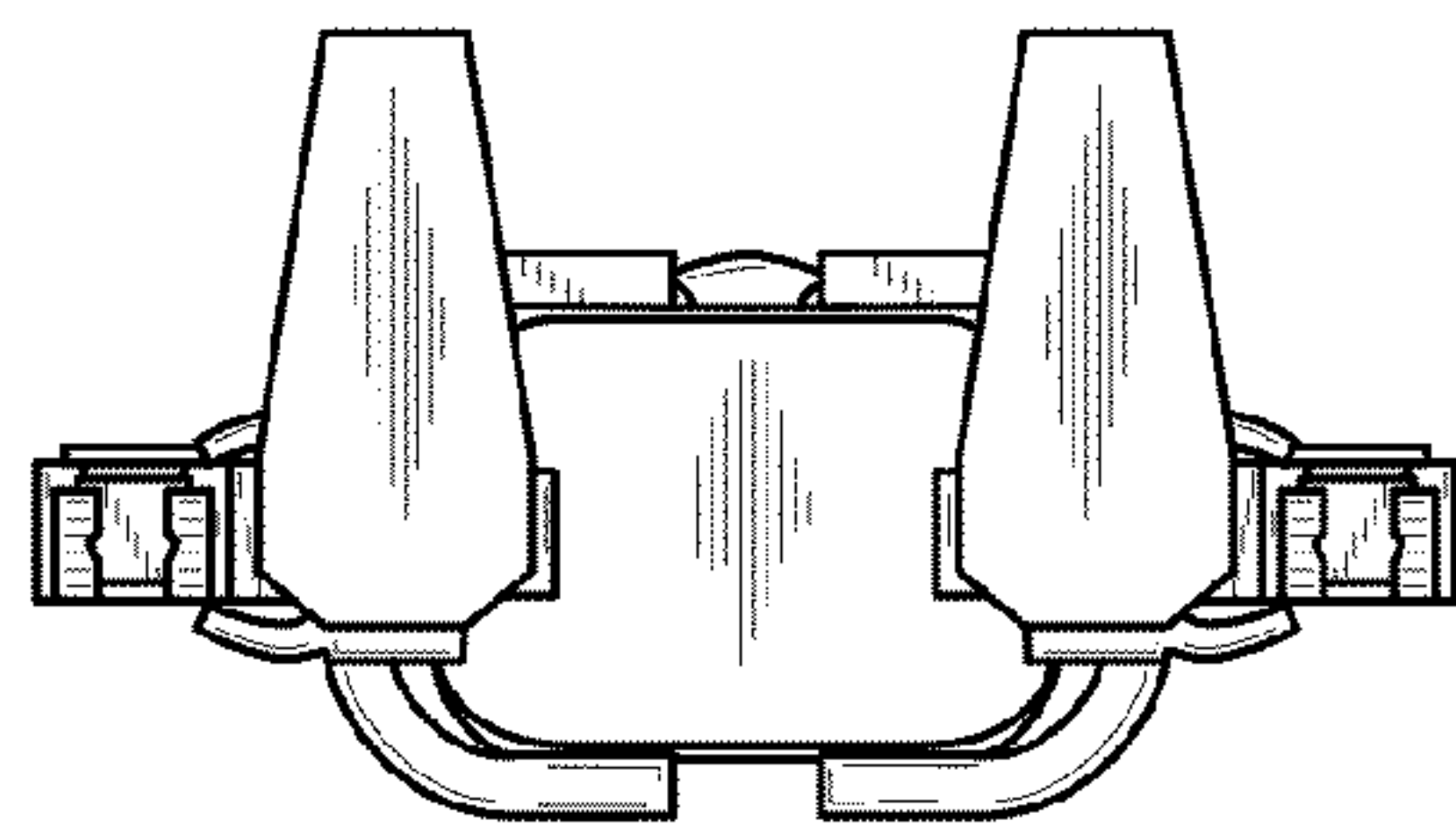


FIG. 6