



US00D732993S

(12) **United States Design Patent**
Shabot

(10) **Patent No.:** **US D732,993 S**

(45) **Date of Patent:** **** *Jun. 30, 2015**

(54) **JEWELRY ITEM**

(71) Applicant: **World Trade Golden Nugget Ltd.**, New York, NY (US)

(72) Inventor: **Murray Shabot**, New York, NY (US)

(73) Assignee: **WORLD TRADE GOLDEN NUGGET LTD.**, New York, NY (US)

(*) Notice: This patent is subject to a terminal disclaimer.

(**) Term: **14 Years**

(21) Appl. No.: **29/468,449**

(22) Filed: **Sep. 30, 2013**

(51) **LOC (10) Cl.** **11-01**

(52) **U.S. Cl.**
USPC **D11/1; D11/56; D11/26**

(58) **Field of Classification Search**
USPC D11/1, 2, 7, 8, 43, 44, 47, 48, 56,
D11/79-86, 103, 26-39; 63/18, 19, 20,
63/26-28; D3/211
CPC A44C 25/001; A44C 25/007; A44C 17/02;
A44C 15/005; A44C 15/0055; A44C 1/00
See application file for complete search history.

(56) **References Cited**

U.S. PATENT DOCUMENTS

D48,864 S * 4/1916 Houston et al. D11/95
D186,990 S * 1/1960 Berland D11/33
D465,173 S * 11/2002 Gordon D11/26
D478,836 S 8/2003 McCormack

(Continued)

OTHER PUBLICATIONS

[online] <http://www.overstock.com/Jewelry-Watches/Mondevio-Sterling-Silver-Infinity-Heart-Ring/8232526/product.html>.
Retreived May 28, 2014.*

(Continued)

Primary Examiner — Garth Rademaker

Assistant Examiner — Melanie Pellegrini

(74) *Attorney, Agent, or Firm* — Weitzman Law Offices, LLC

(57) **CLAIM**

The ornamental design for a jewelry item, as shown and described.

DESCRIPTION

FIG. 1 is a top perspective view of a jewelry item showing my new design in an environmental use as a ring;

FIG. 2 is a top plan view thereof;

FIG. 3 is a front elevational view thereof;

FIG. 4 is a left side elevational view thereof;

FIG. 5 is a right side elevational view thereof;

FIG. 6 is a rear elevational view thereof;

FIG. 7 is a bottom plan view thereof;

FIG. 8 is a bottom plan view thereof shown without any broken lines for completeness of disclosure;

FIG. 9 is a top plan view thereof shown in an alternate environment;

FIG. 10 is a front elevational view thereof, the rear view being a mirror image;

FIG. 11 is a top plan view thereof shown in an alternate environment;

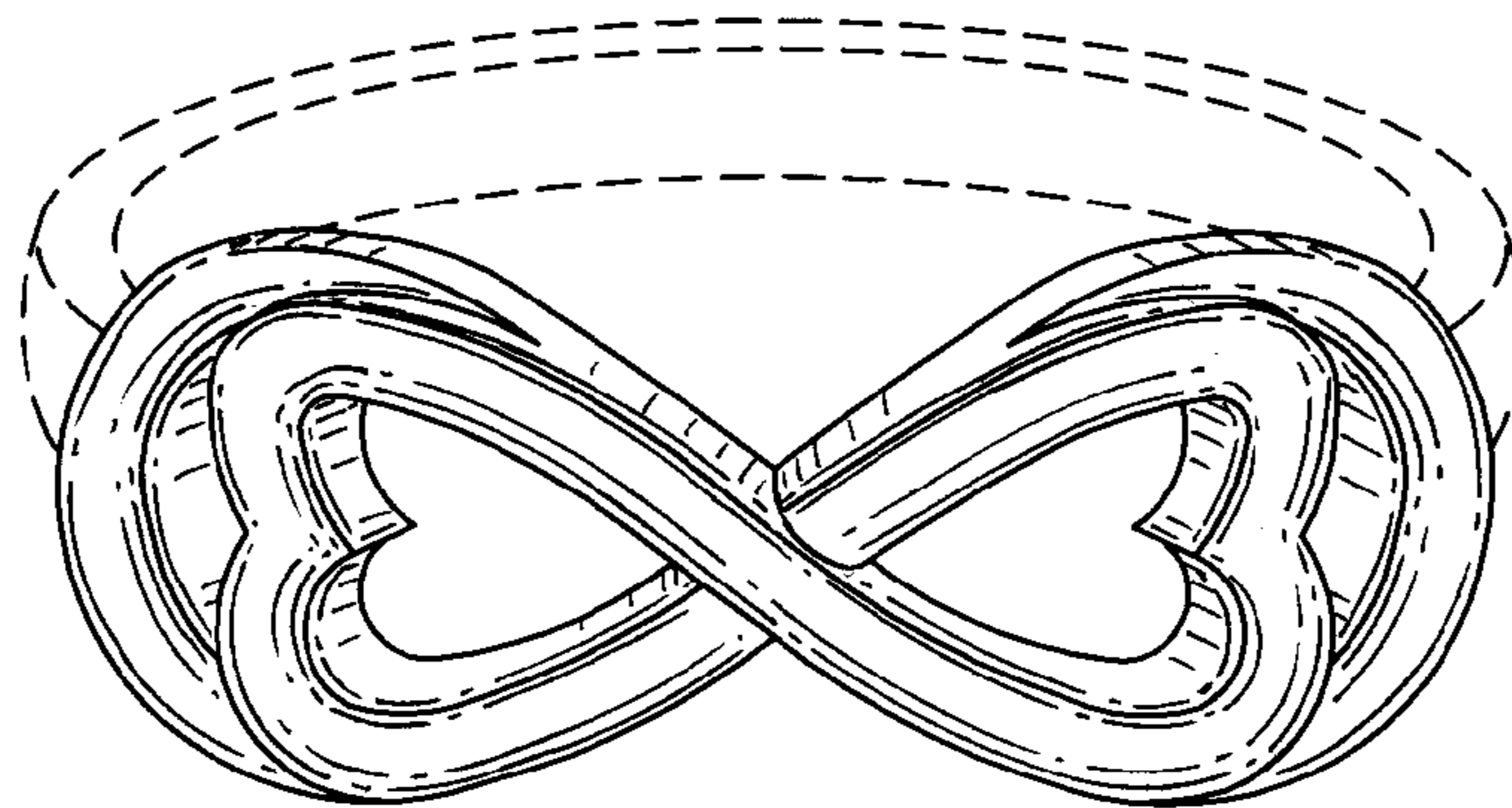
FIG. 12 is a front elevational view thereof, the rear view being a mirror image;

FIG. 13 is a top plan view of a second embodiment of a jewelry item shown in an environment as an earring; and,

FIG. 14 is a side elevational view thereof the opposite side view being a mirror image.

The broken lines showing the shank of a ring, one or more gemstones and their respective settings, an earring clasp, and a chain illustrate environmental subject matter and form no part of the claimed design.

1 Claim, 6 Drawing Sheets



(56)

References Cited

U.S. PATENT DOCUMENTS

D491,090 S	6/2004	Osinga	
D491,091 S	6/2004	Osinga	
D518,749 S	4/2006	D'Annunzio	
D542,171 S *	5/2007	Olson	D11/56
D579,373 S	10/2008	Rosenthal	
D595,178 S	6/2009	Colombani	
D602,799 S	10/2009	Colombani	
D603,288 S *	11/2009	Grosser-Samuels	D11/26
D613,198 S *	4/2010	Krutz	D11/34
D619,025 S	7/2010	Papadimitriou	
D619,026 S	7/2010	Papadimitriou	
D619,032 S	7/2010	Papadimitriou	
D619,039 S *	7/2010	Sandberg	D11/103
D621,291 S	8/2010	Papadimitriou	
D627,251 S	11/2010	Papadimitriou	
D628,112 S	11/2010	Papadimitriou	
D628,115 S	11/2010	Papadimitriou	
D630,963 S	1/2011	Papadimitriou	
D630,965 S	1/2011	Papadimitriou	
D631,383 S	1/2011	Papadimitriou	
D654,390 S *	2/2012	Sivriere	D11/26

OTHER PUBLICATIONS

[online] http://www.polyvore.com/simple_double_heart_infinity_ring/thing?id=70807534. Retrieved May 28, 2014.*

[online] http://www.etsy.com/il-en/listing/187220660/13mmx37mm-antique-silver-toneantique?ref=sr_gallery_43&ga_search_query=heart+infinity&ga_ship_to=US&ga_search_type=all&ga_view_type=gallery. Retrieved May 28, 2014.*

Open Hearts by Jane Seymour®, <http://www.kay.com/en/kaystore/open-hearts-by-jane-seymour/1000530000/100020/1/0/0/100020.100023.100053> (printed on Feb. 27, 2013).

Diamond Necklace 1/20 ct tw Round-Cut Sterling Silver, <http://www.kay.com/en/kaystore/diamonds---gemstones/diamond-neckl...1-20-ct-tw-round-cut--sterling-silver/100020/100020.100023.100053> (printed on Feb. 27, 2013).

Infinity Heart Diamond Pendant in 14k White Gold (1/8 ct. tw.), http://www.bluenile.com/heart-diamond-18k-white-gold-pendant_32415 (printed on Feb. 27, 2013).

10k White Gold 1/10-ct. T.W. Diamond Infinity Heart Pendant, http://www.kohls.com/upgrade/webstore/product_page.jsp?PRODUCT%3C%3Eprd_id=845524893056962 (printed on Feb. 27, 2013).

Sterling Silver Infinity Hearts Necklace, http://www.evesaddiction.com/detail_NL10217_213.html?utm_source...um=EvePortals&utm_term=NL10217&gclid=CLyr9amq17UCFcme4Aod8DsAjw (printed on Feb. 27, 2013).

Tiffany Infinity bracelet, http://www.tiffany.com/shopping/Item.aspx?fromGrid=1&sku=GRP063...&search_params=s+5-p+1-c+563629-r+101424400-x+n+6-ri+ni+0-t+ (printed on Feb. 27, 2013).

Sterling Silver Black Diamond Accent Intertwining Infinity Hearts Necklace, http://www.amazon.com/dp/B008OVH9MO/ref=asc_df_B008OVH9MO2406...8016-20&creative=395261&creativeASIN=B008OVH9MO&linkCode=asn (printed on Feb. 27, 2013).

Two-Tone Infinity Heart Pendant 1/10ctw | Shop Reeds Jewelers, <http://www.reeds.com/two-Tone-Infinity-Heart-Pendant-1-10ctw-plu19264175.html> (printed Feb. 27, 2013).

Infinite Love Heart Necklace in Sterling Silver only \$69.00—Sterling Necklaces, http://www.heavenlytreasures.com/268ae06n.html?cid=Priceg&srccode=cii_5784816&cpncode=31-84388203-2 (printed Feb. 27, 2013).

Sterling Silver Heart Infinity Pendant w/ Cubic Zirconia, <http://www.newegg.com/Product/Product.aspx?Item=9SIA0320C30932> (printed on Feb. 27, 2013).

* cited by examiner

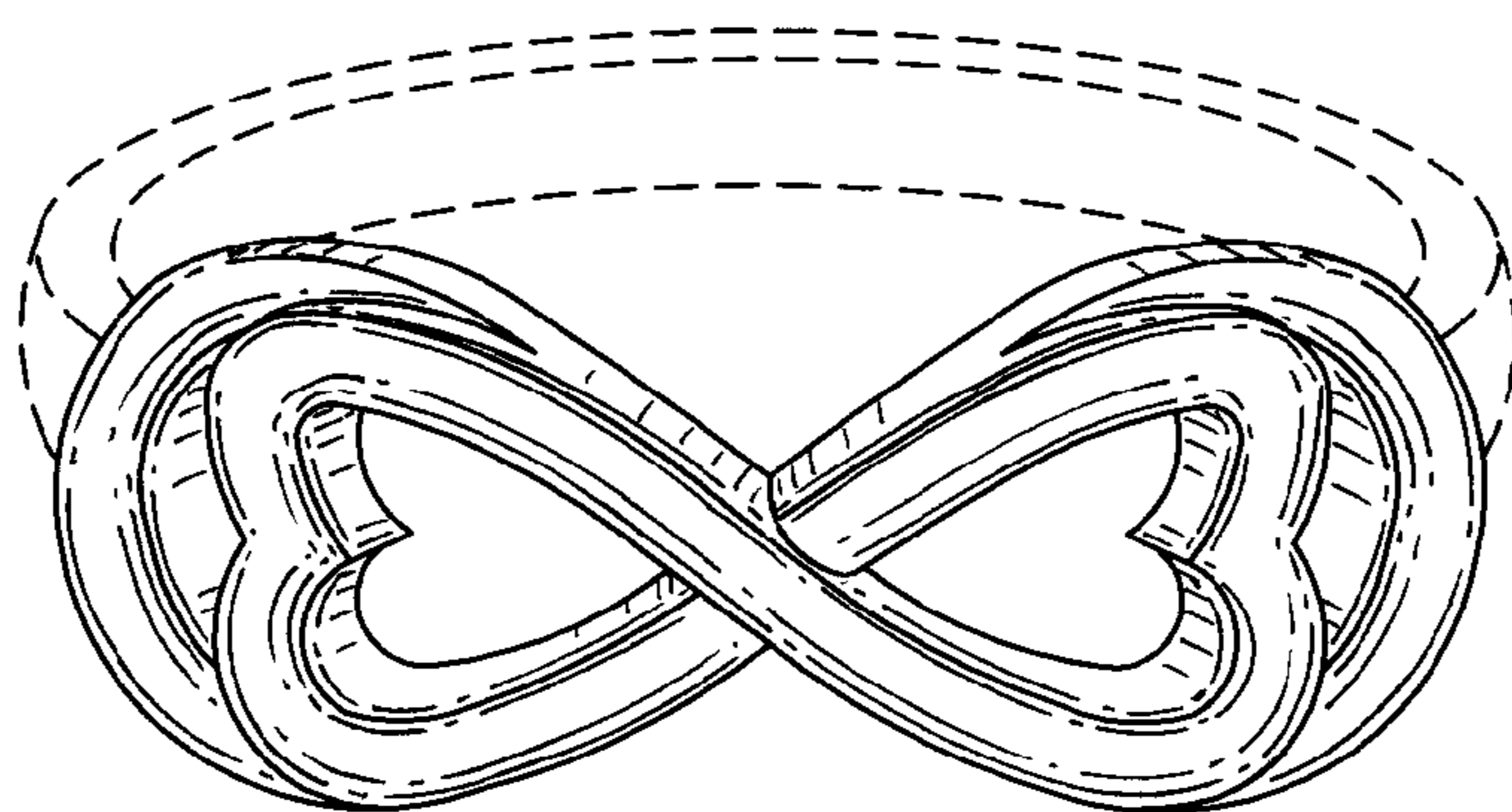


FIG. 1

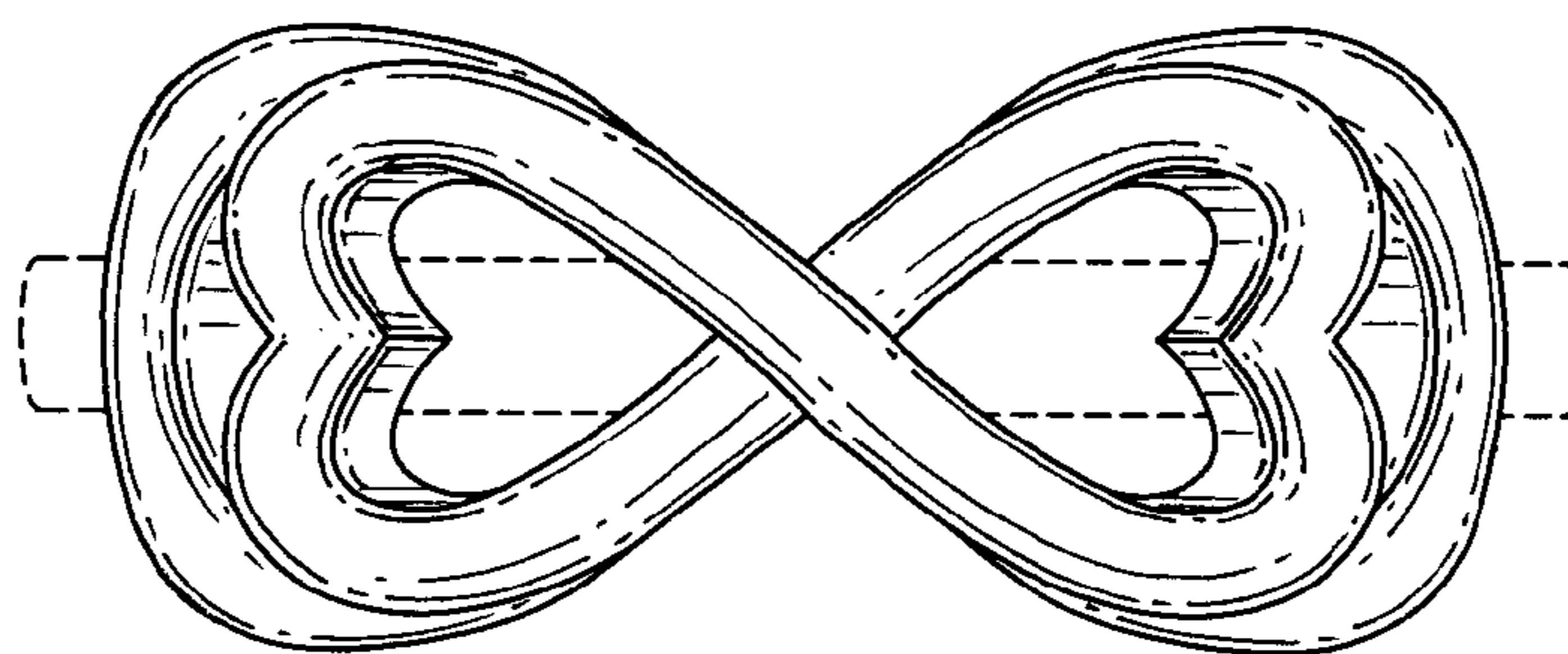


FIG. 2

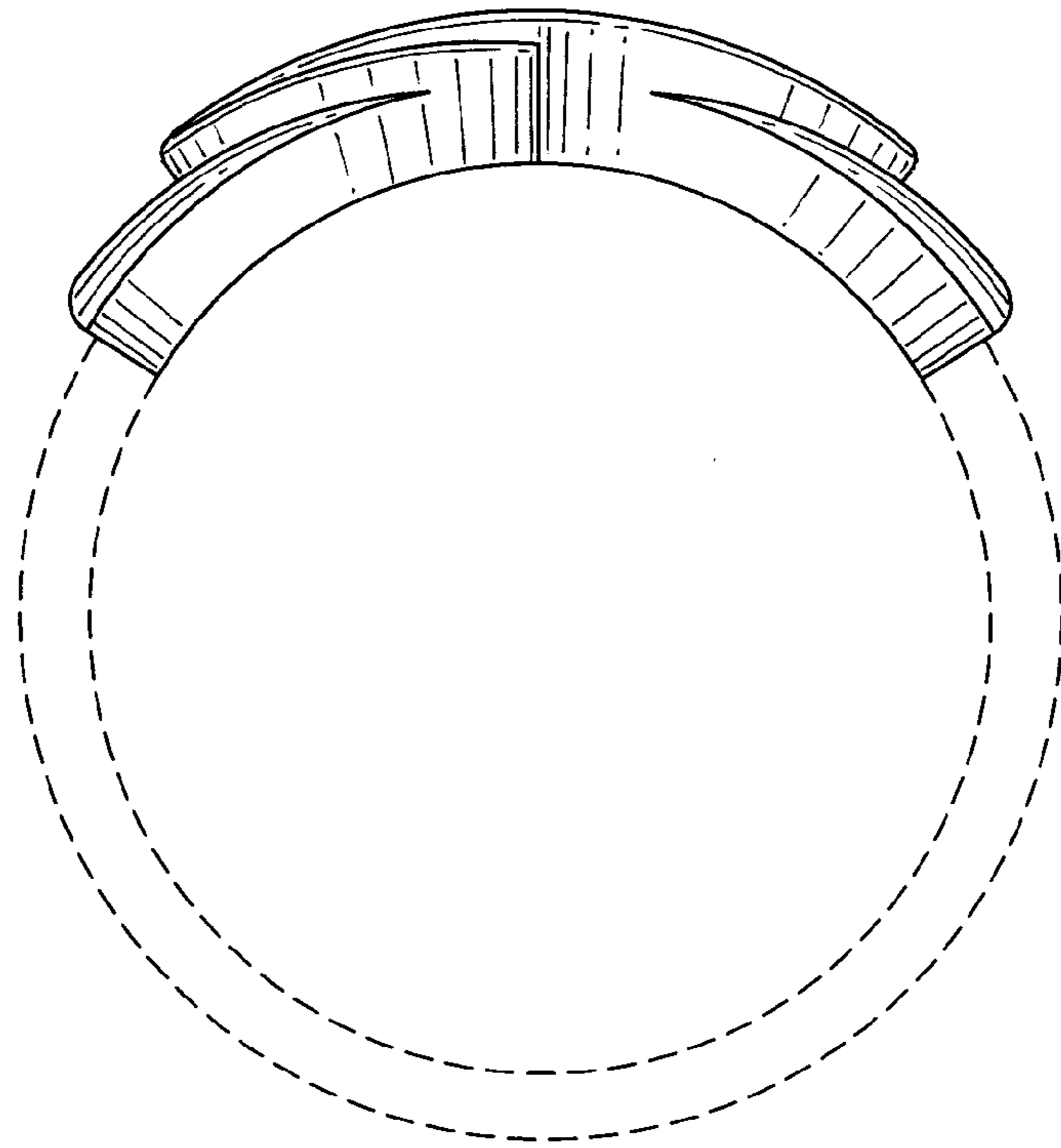


FIG. 3

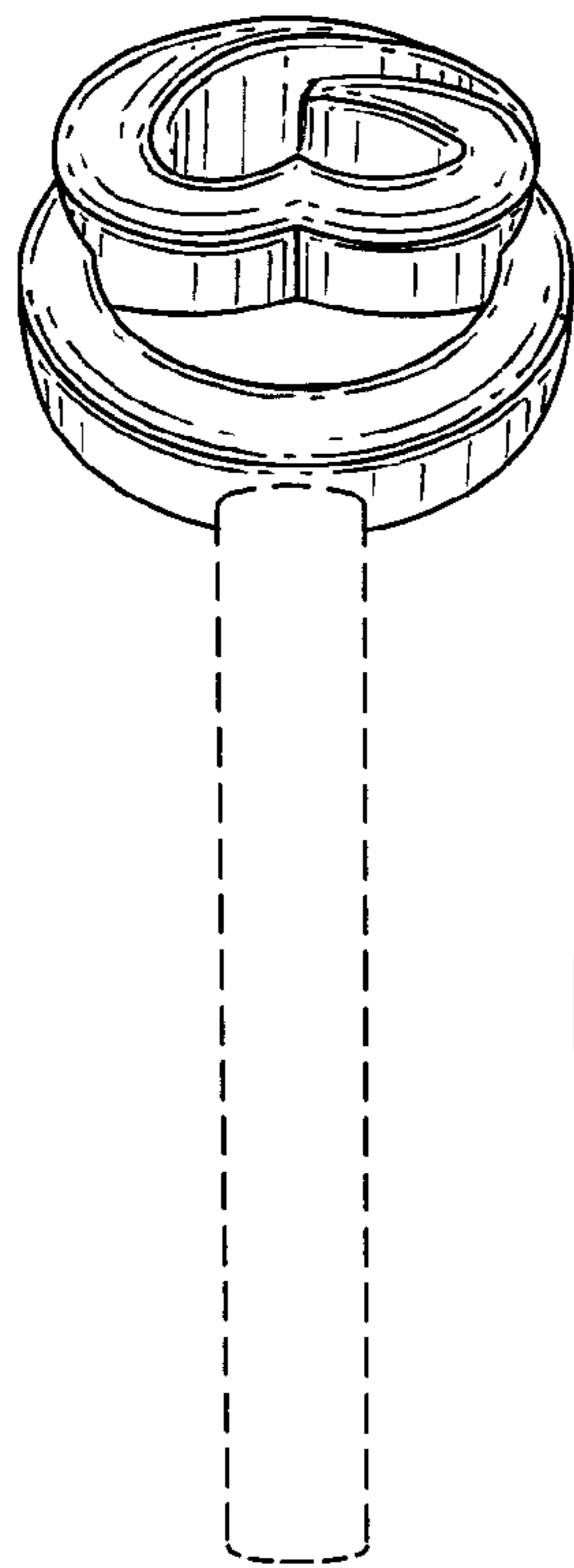


FIG. 4

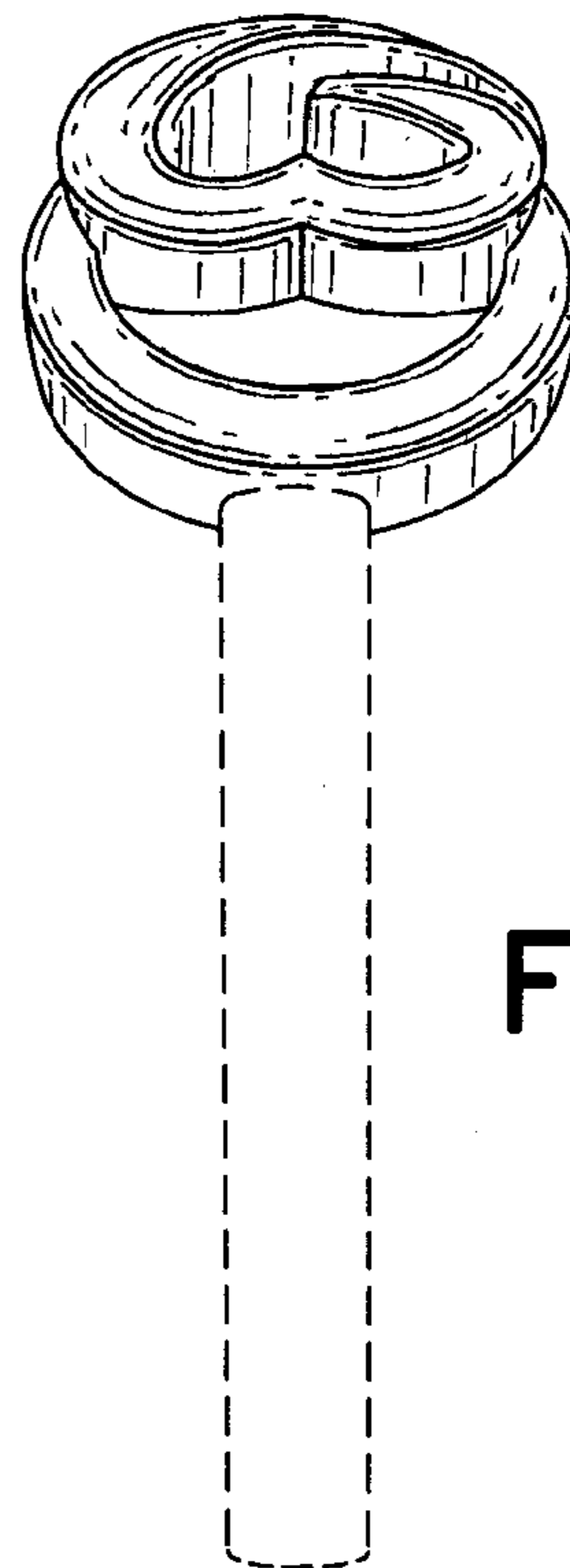


FIG. 5

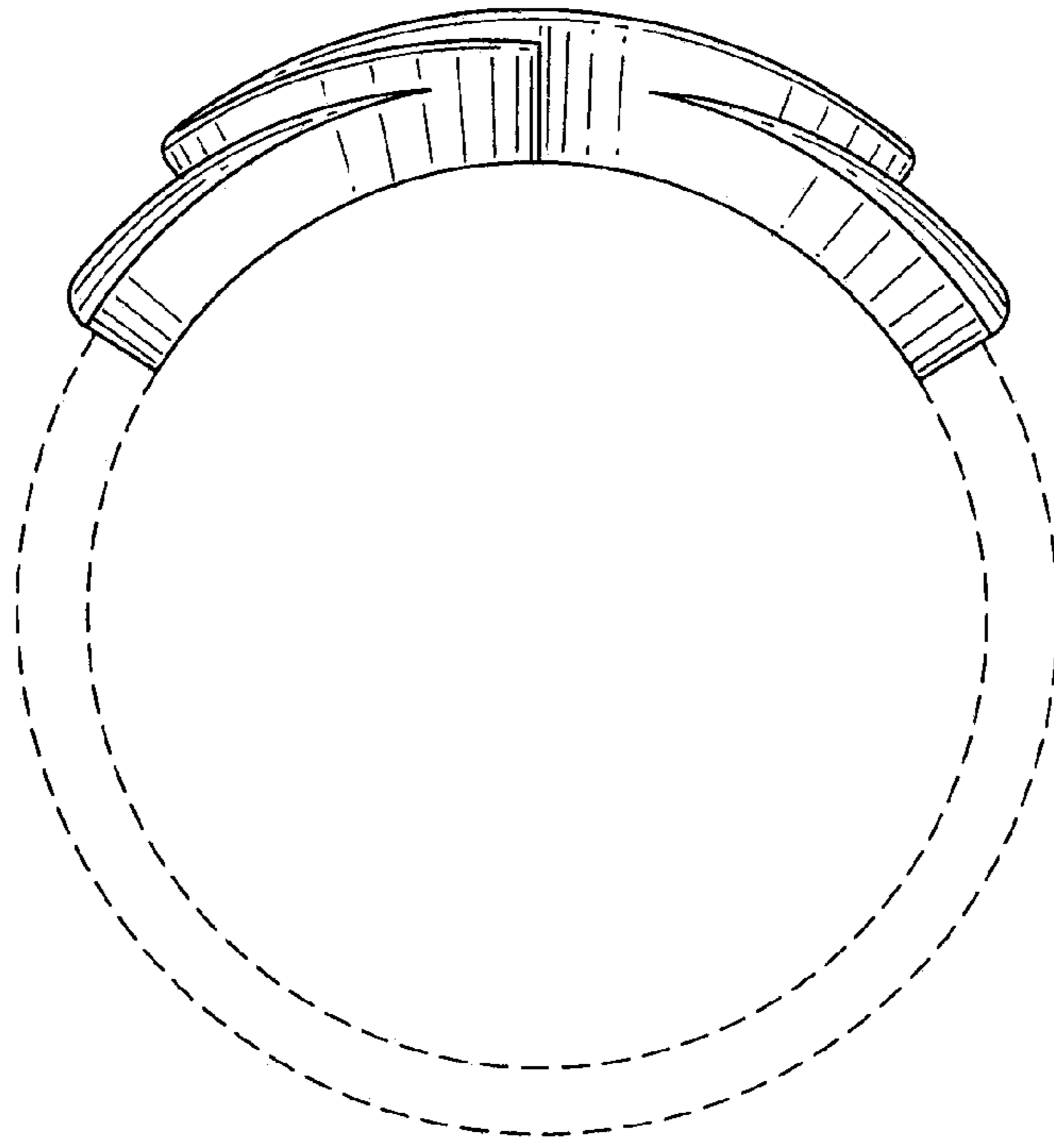


FIG. 6

FIG. 7

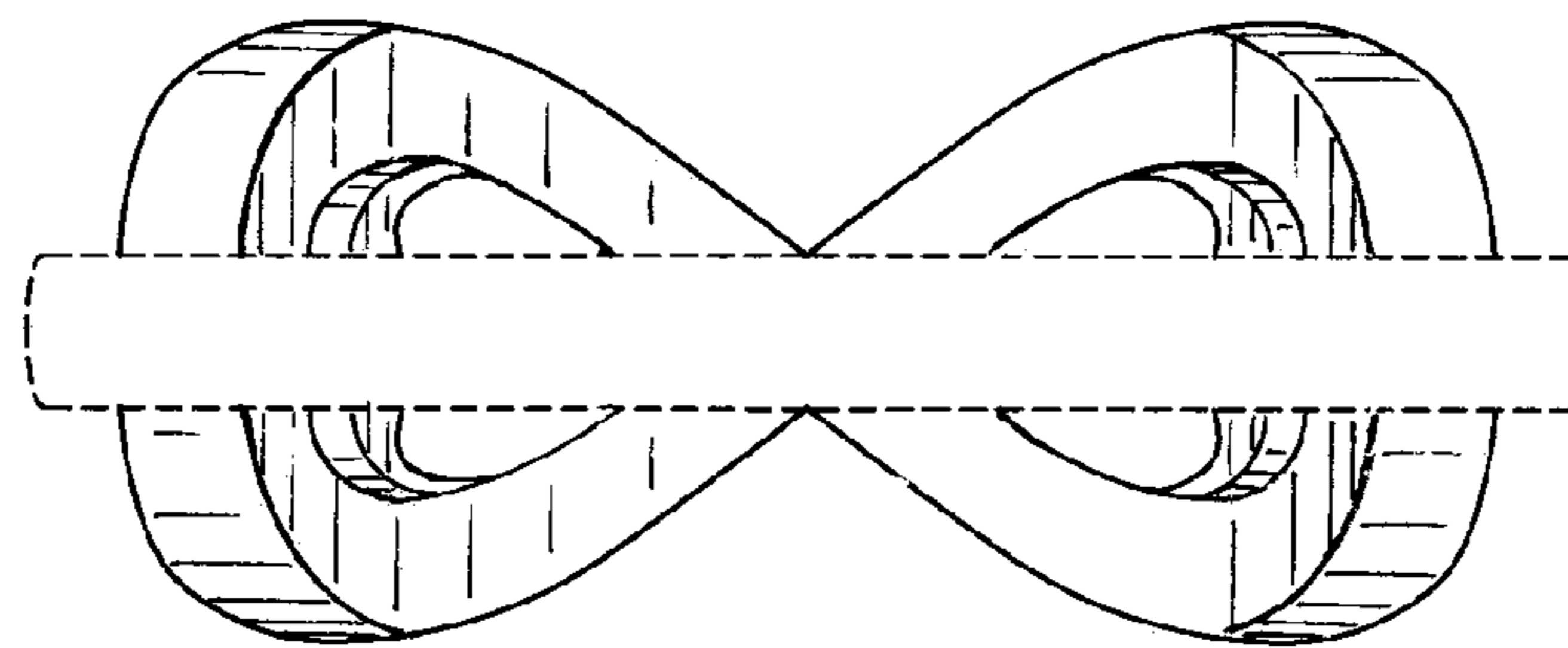
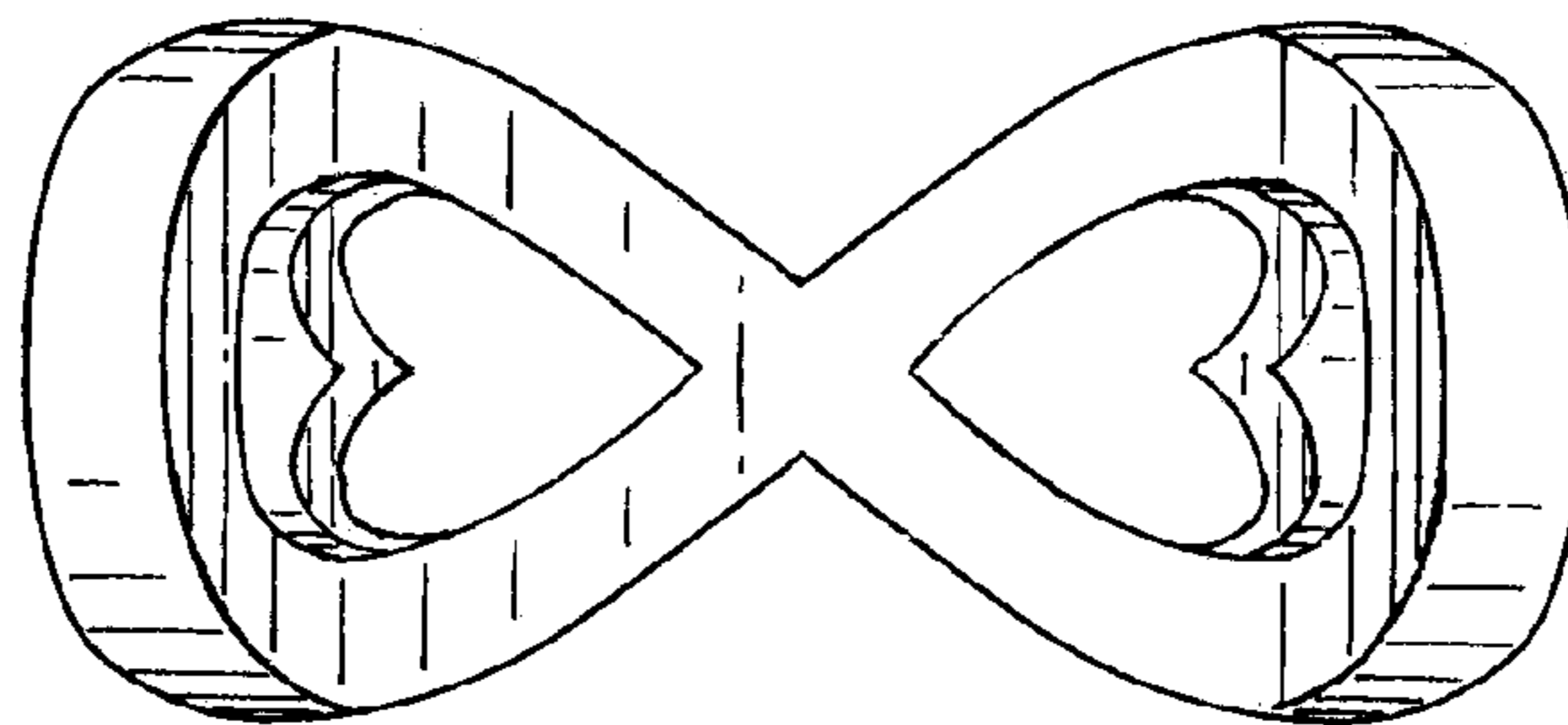


FIG. 8



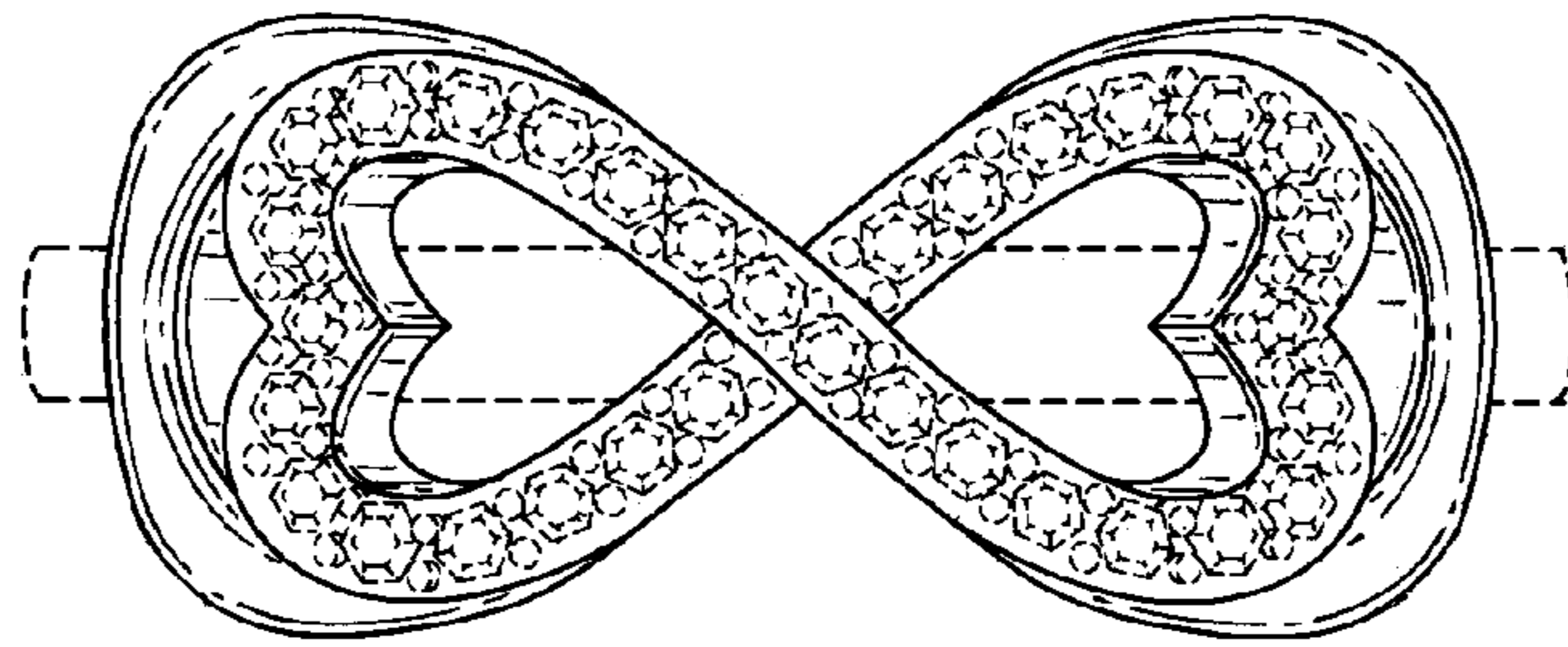


FIG. 9

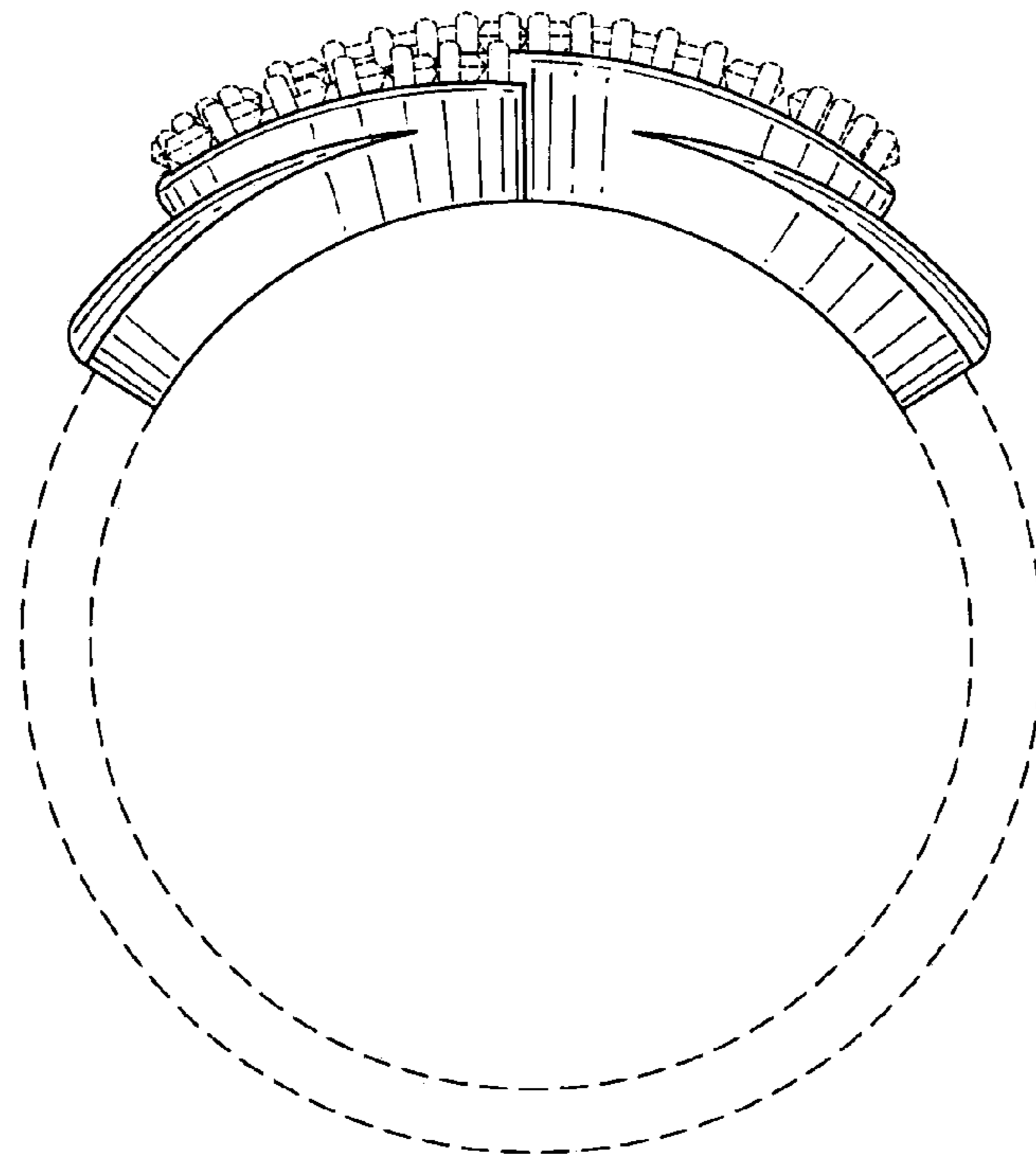


FIG. 10

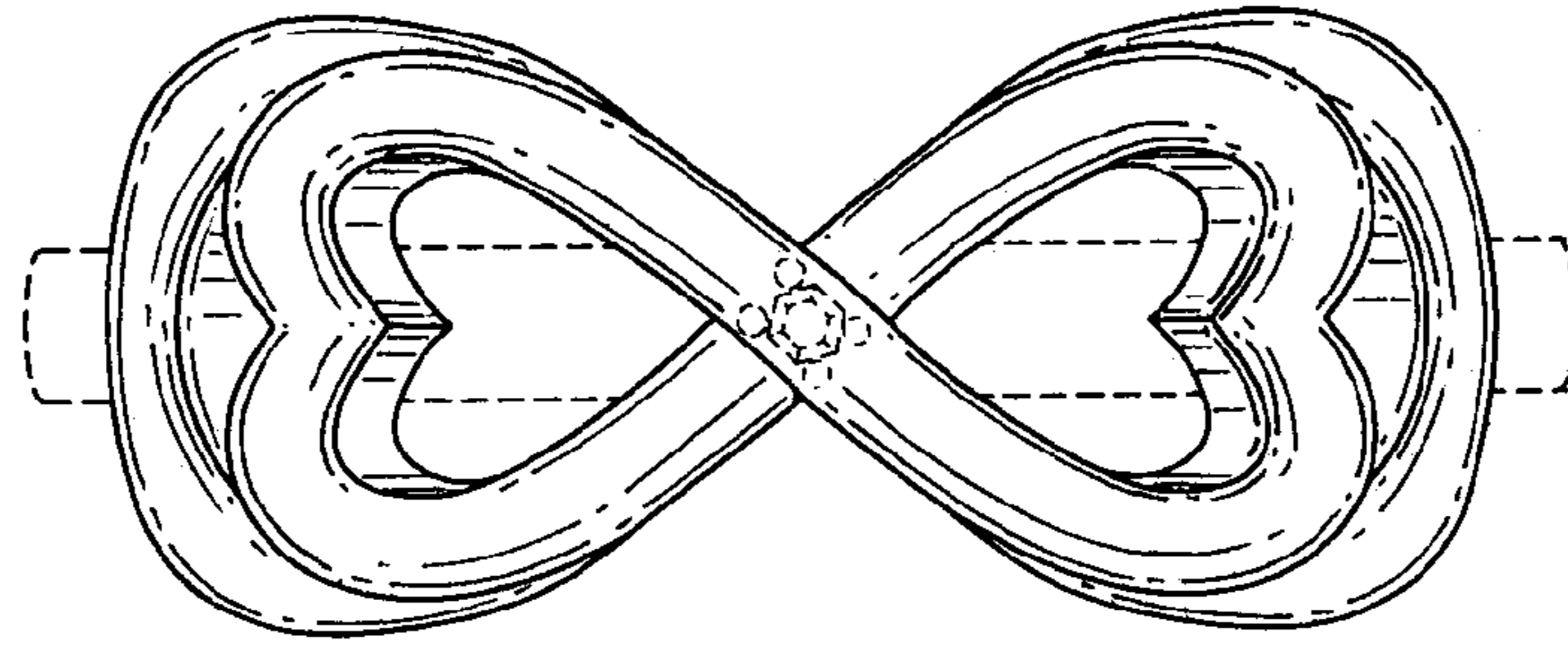


FIG. 11

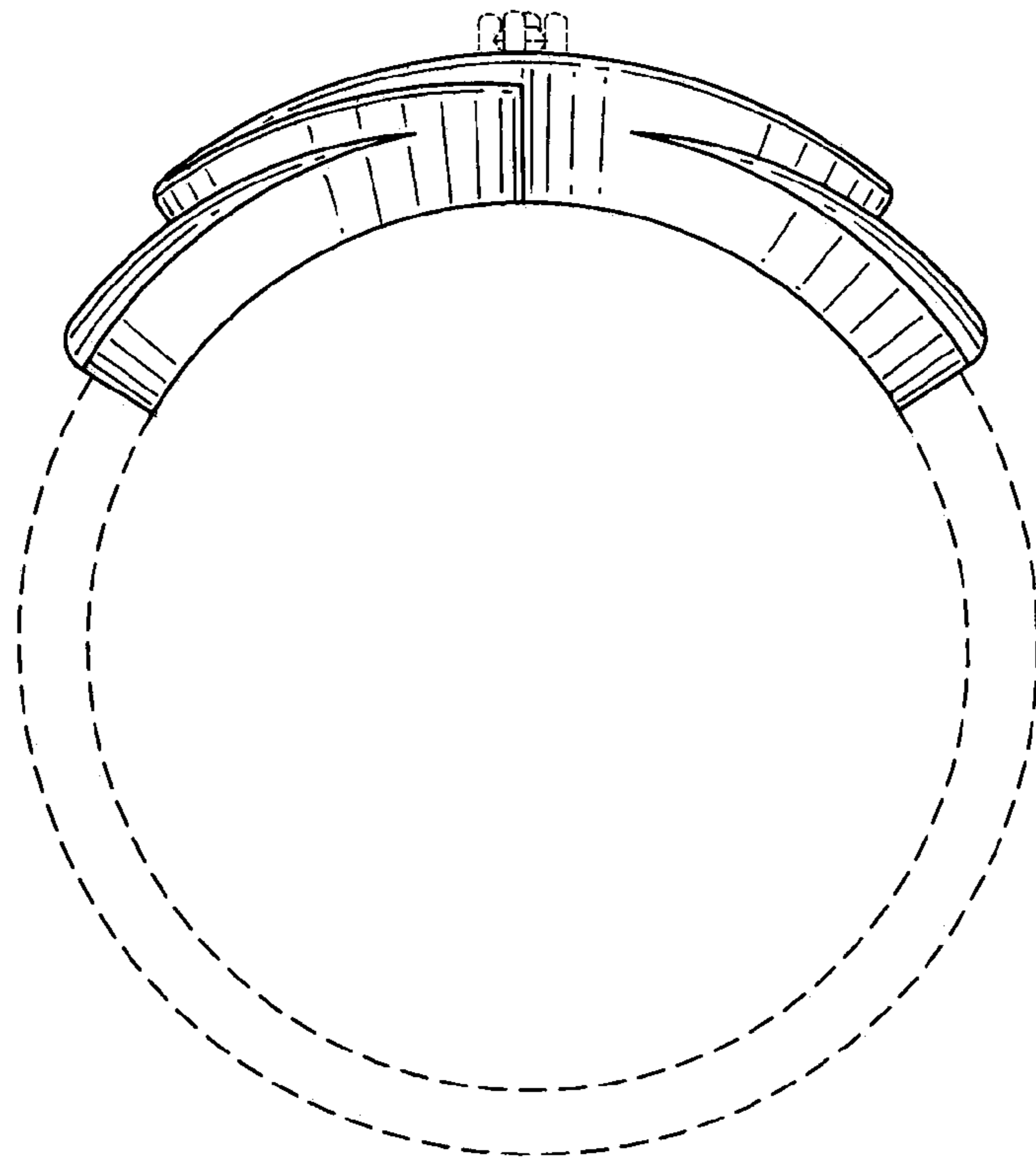


FIG. 12

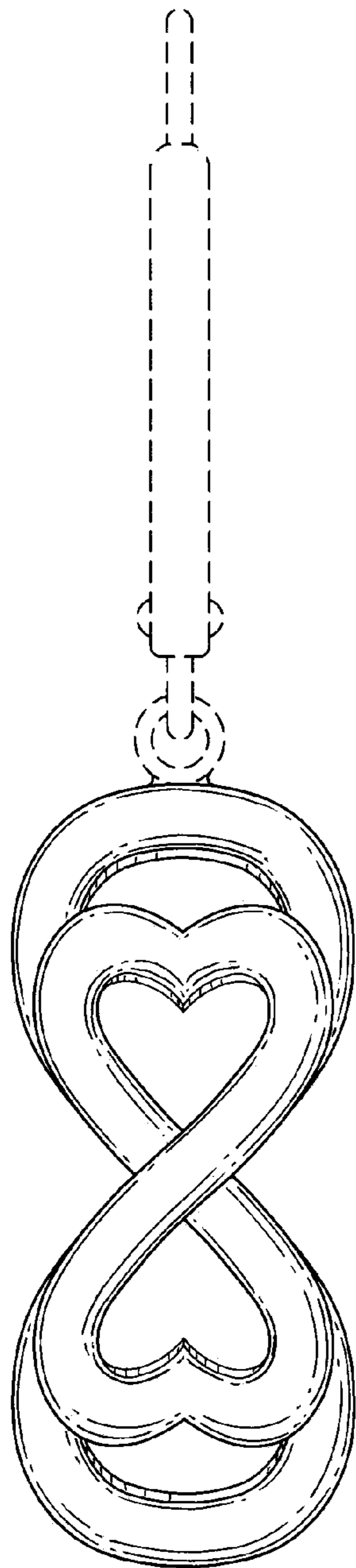


FIG. 13

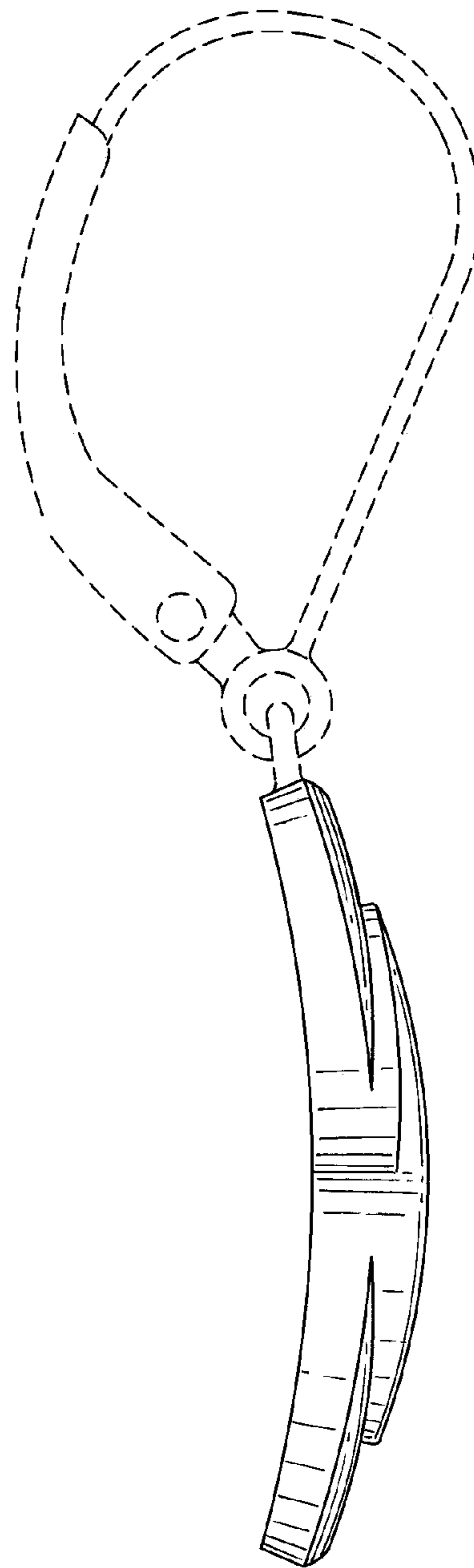


FIG. 14