

US00D732992S

(12) **United States Design Patent**
Dasbach

(10) **Patent No.:** **US D732,992 S**
(45) **Date of Patent:** **** Jun. 30, 2015**

(54) **CYCLOMETER**

(71) Applicant: **Robert Bosch GmbH**, Stuttgart (DE)

(72) Inventor: **Gregor Dasbach**, Reutlingen (DE)

(73) Assignee: **Robert Bosch GmbH**, Stuttgart (DE)

(**) Term: **14 Years**

(21) Appl. No.: **29/482,887**

(22) Filed: **Feb. 23, 2014**

(30) **Foreign Application Priority Data**

Aug. 23, 2013 (EM) 002295626

(51) **LOC (10) Cl.** **10-04**

(52) **U.S. Cl.**
USPC **D10/98; D10/70**

(58) **Field of Classification Search**
USPC D10/46, 65, 70, 98; 73/490, 514.39;
324/160-180, 207.13, 207.22, 207.25;
340/432; 235/95 R; 474/69;
702/145-148

CPC ... A61K 9/0019; A61K 31/7032; A61M 1/14;
B01L 3/502715; B01L 3/5027; B01L 3/50273;
B01L 3/502738; B01L 3/502746; B01L
3/502753; B01L 3/502776; B01L 3/502761;
B01L 2300/0654; B01L 2300/0816; B01L
2400/0406; Y10T 436/02

See application file for complete search history.

(56) **References Cited**

U.S. PATENT DOCUMENTS

D443,839 S * 6/2001 Brandenburg et al. D10/65
D450,606 S * 11/2001 Brandenburg et al. D10/65
D677,182 S * 3/2013 Lee et al. D10/65
8,627,990 B2 * 1/2014 Nakajima et al. 224/420

* cited by examiner

Primary Examiner — Antoine D Davis

(74) *Attorney, Agent, or Firm* — Maginot, Moore & Beck LLP

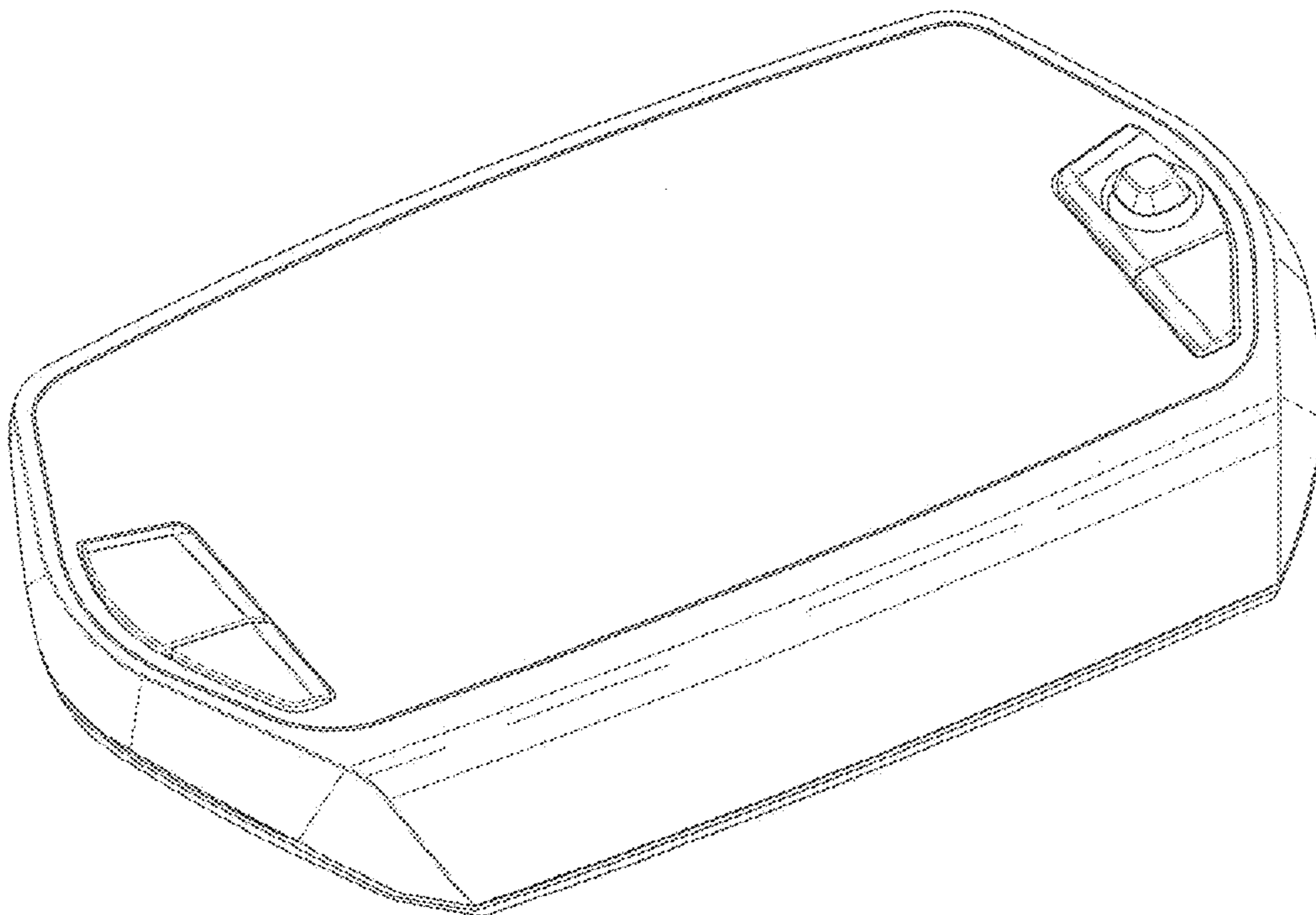
(57) **CLAIM**

The ornamental design for a cyclometer, as shown and described.

DESCRIPTION

FIG. 1 is a perspective view of a cyclometer showing my new design;
FIG. 2 is a right side elevational view showing the design for the cyclometer of FIG. 1;
FIG. 3 is a left side elevational view showing the design for the cyclometer of FIG. 1;
FIG. 4 is a front elevational view showing the design for the cyclometer of FIG. 1;
FIG. 5 is a rear elevational view showing the design for the cyclometer of FIG. 1;
FIG. 6 is a top plan view showing the design for the cyclometer of FIG. 1; and,
FIG. 7 is a bottom plan view showing the design for the cyclometer of FIG. 1.

1 Claim, 7 Drawing Sheets



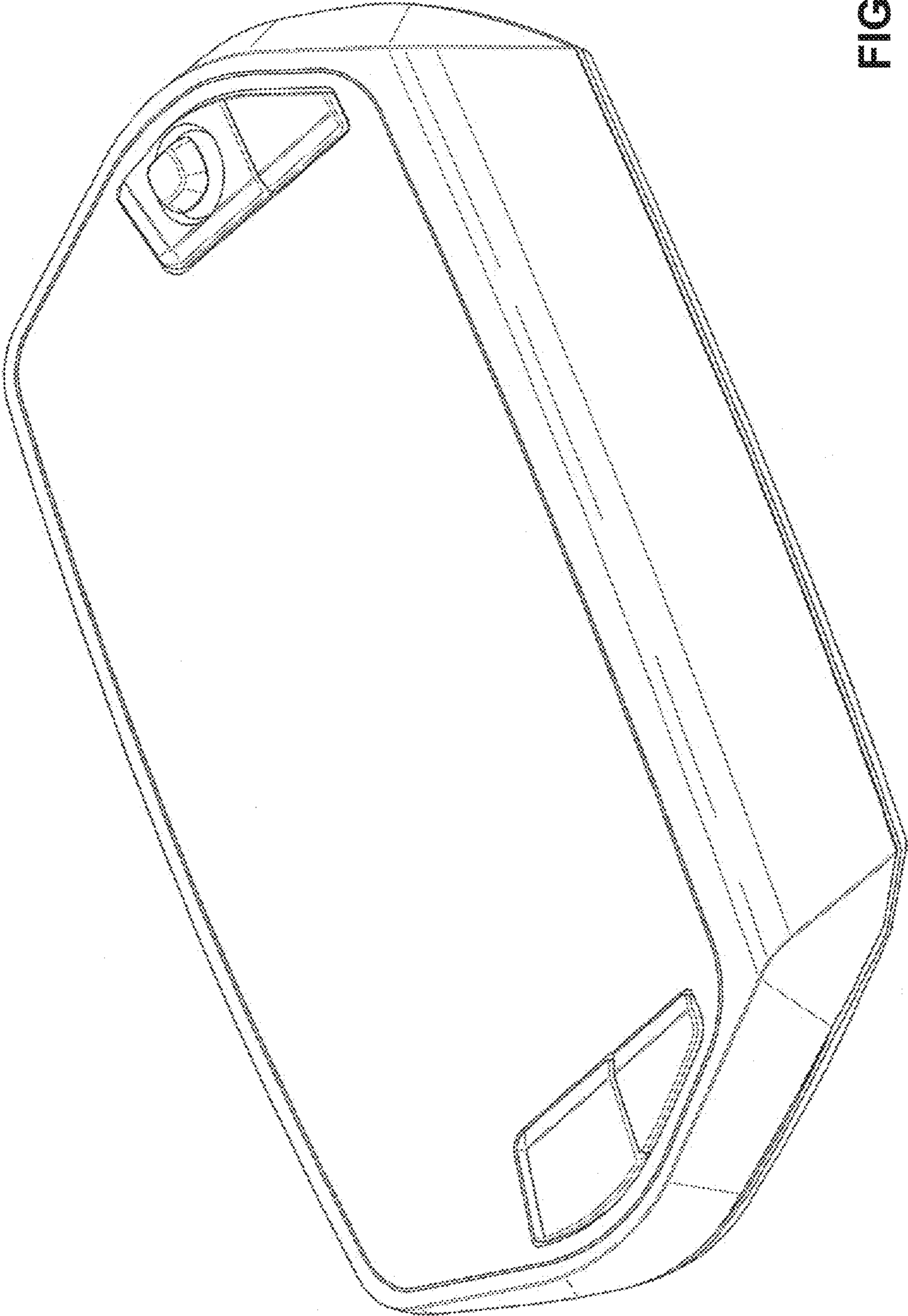


FIG. 1

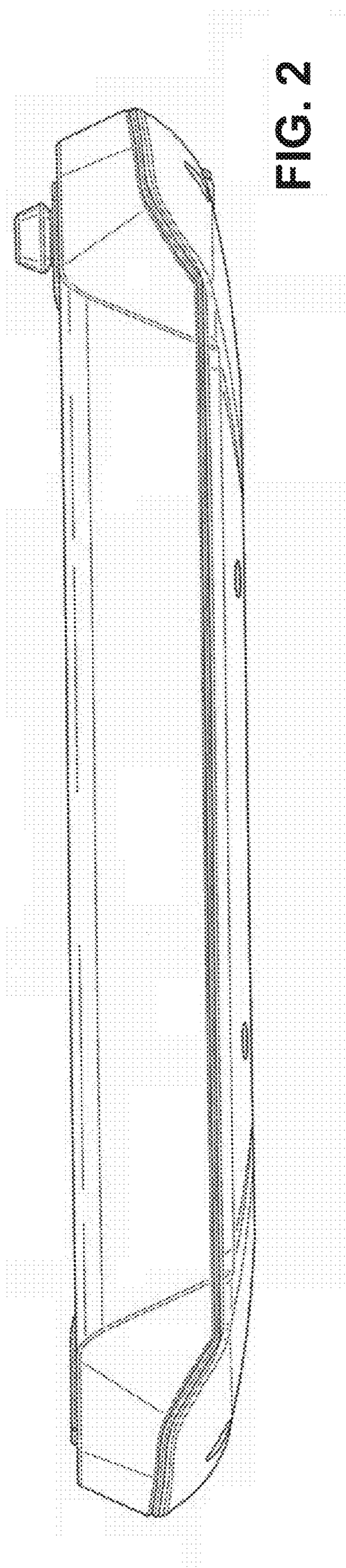


FIG. 2

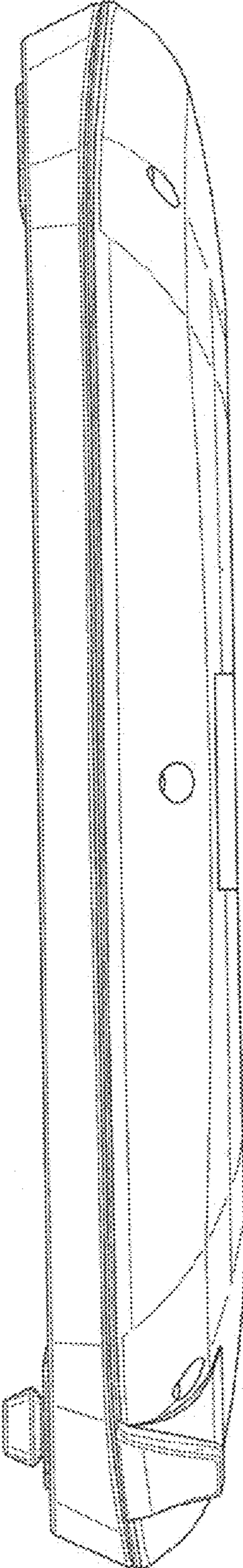


FIG. 3

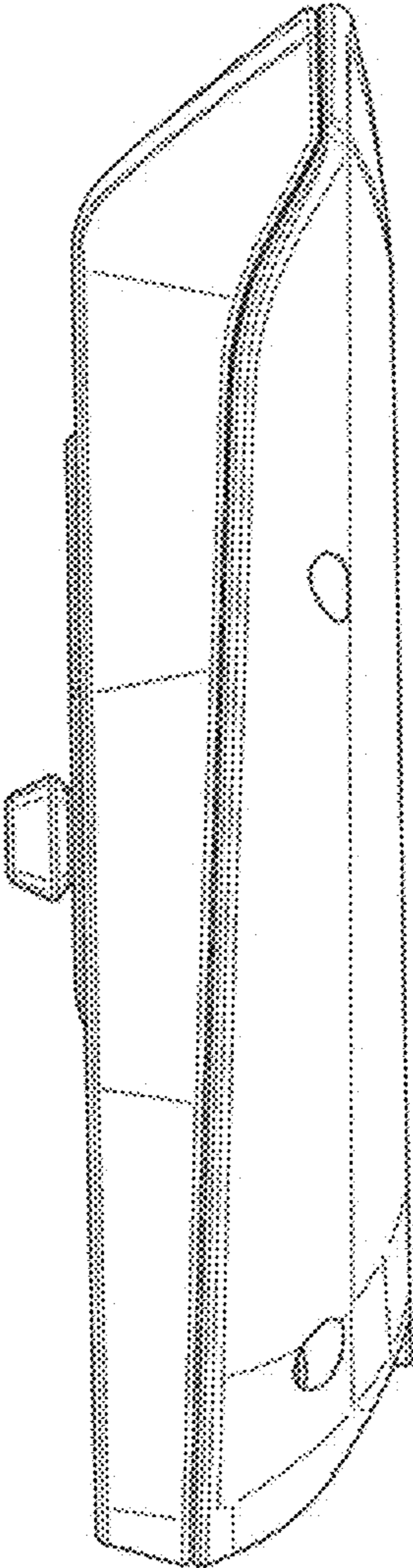


FIG. 4

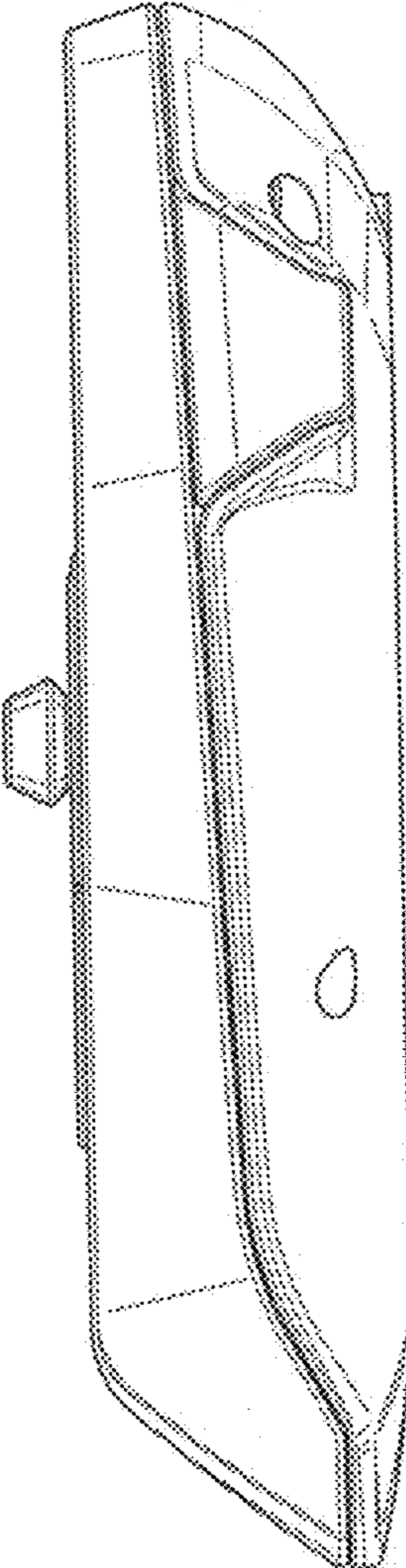


FIG. 5

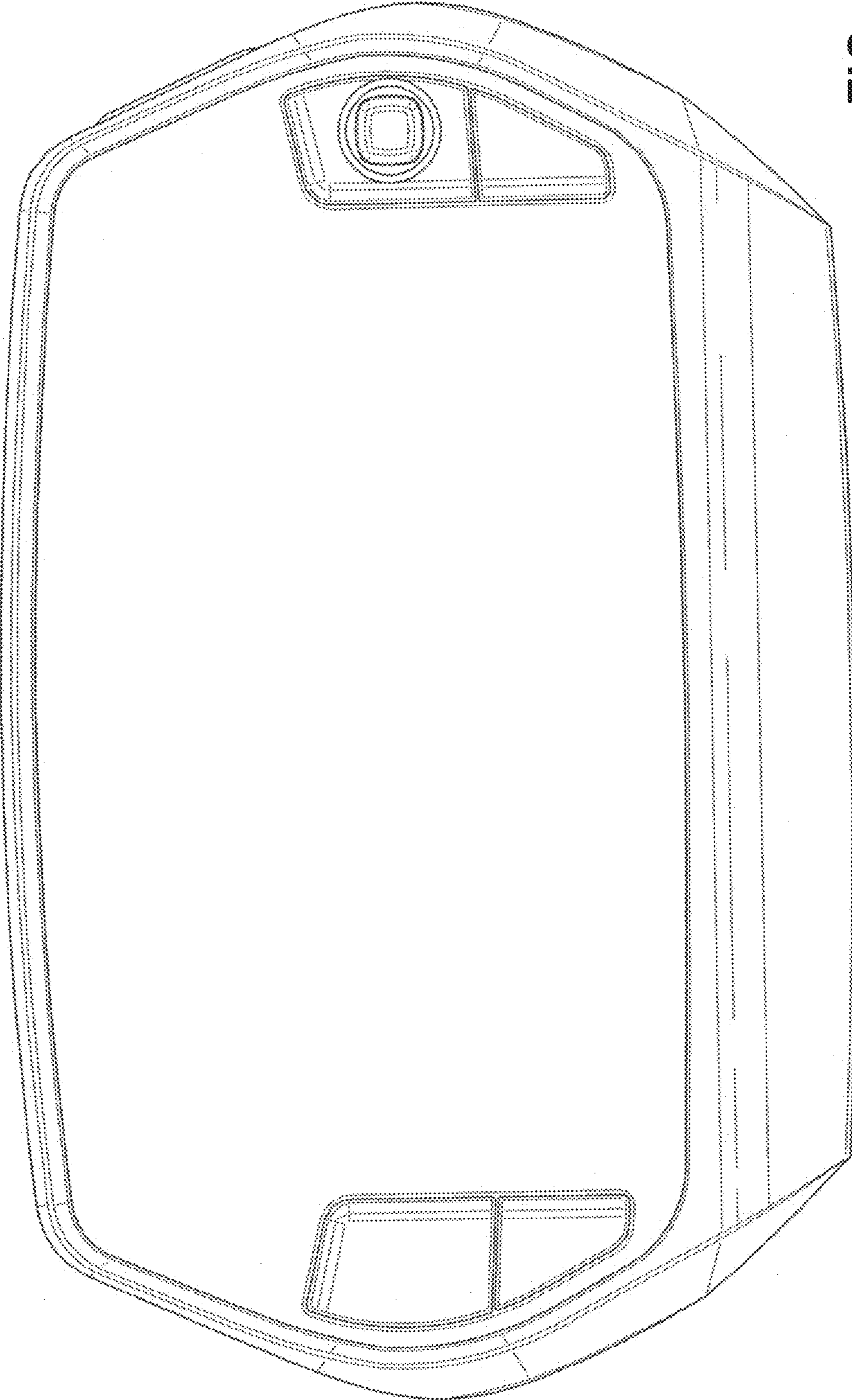


FIG. 6

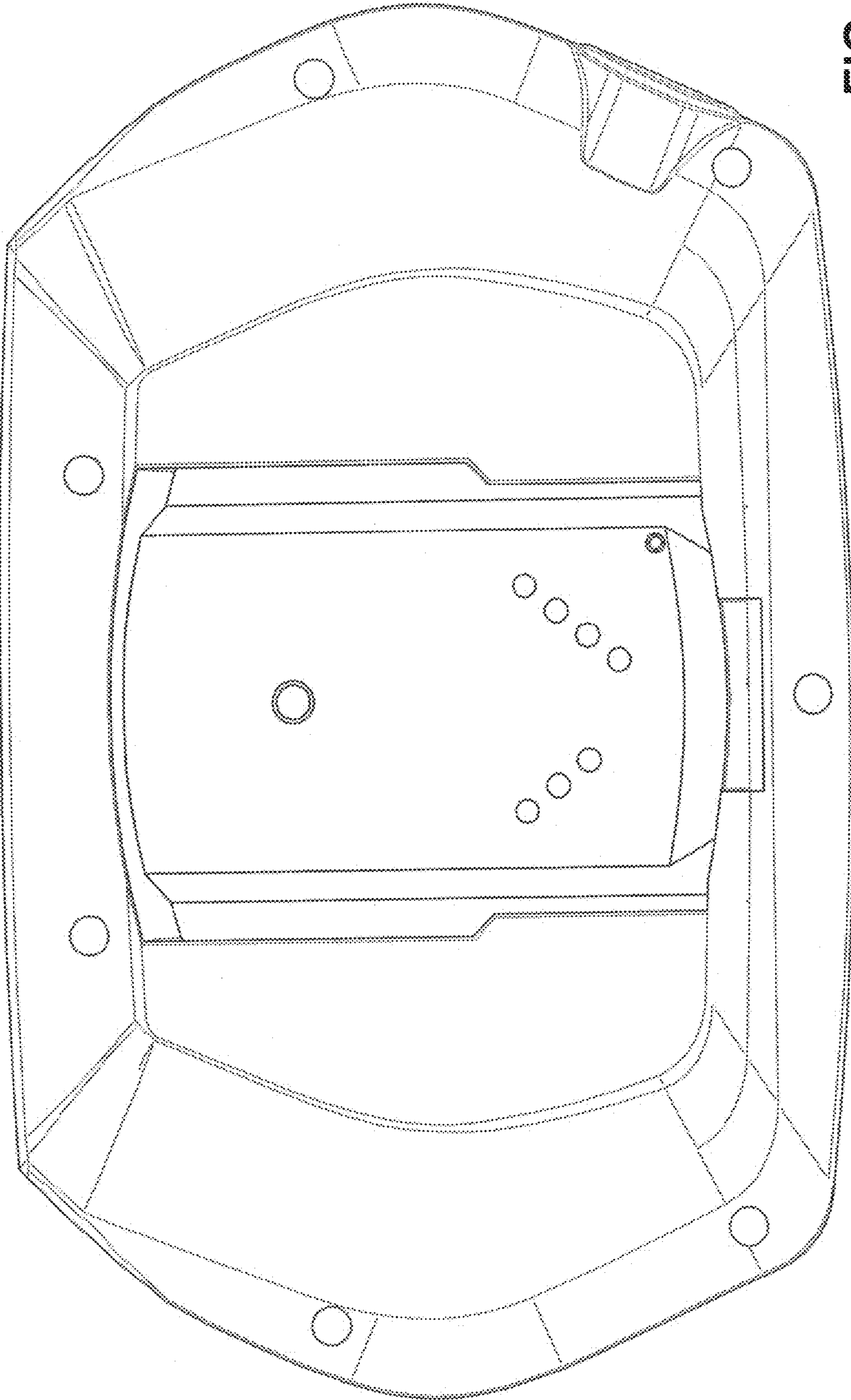


FIG. 7