



US00D732990S

(12) **United States Design Patent**
Vasudeva

(10) **Patent No.:** **US D732,990 S**
(45) **Date of Patent:** **** Jun. 30, 2015**

- (54) **OXYGEN SENSOR BOSS**
- (71) Applicant: **Kailash C. Vasudeva**, Waterloo (CA)
- (72) Inventor: **Kailash C. Vasudeva**, Waterloo (CA)
- (**) Term: **14 Years**
- (21) Appl. No.: **29/500,195**
- (22) Filed: **Aug. 22, 2014**
- (51) **LOC (10) Cl.** **10-04**
- (52) **U.S. Cl.**
USPC **D10/81**
- (58) **Field of Classification Search**
USPC D10/46, 81
CPC G01N 27/4062; G01N 27/4065; G01N
27/4067; G01N 24/407-27/4078
See application file for complete search history.

- (56) **References Cited**
U.S. PATENT DOCUMENTS
5,616,825 A * 4/1997 Achey et al. 73/23.31
* cited by examiner

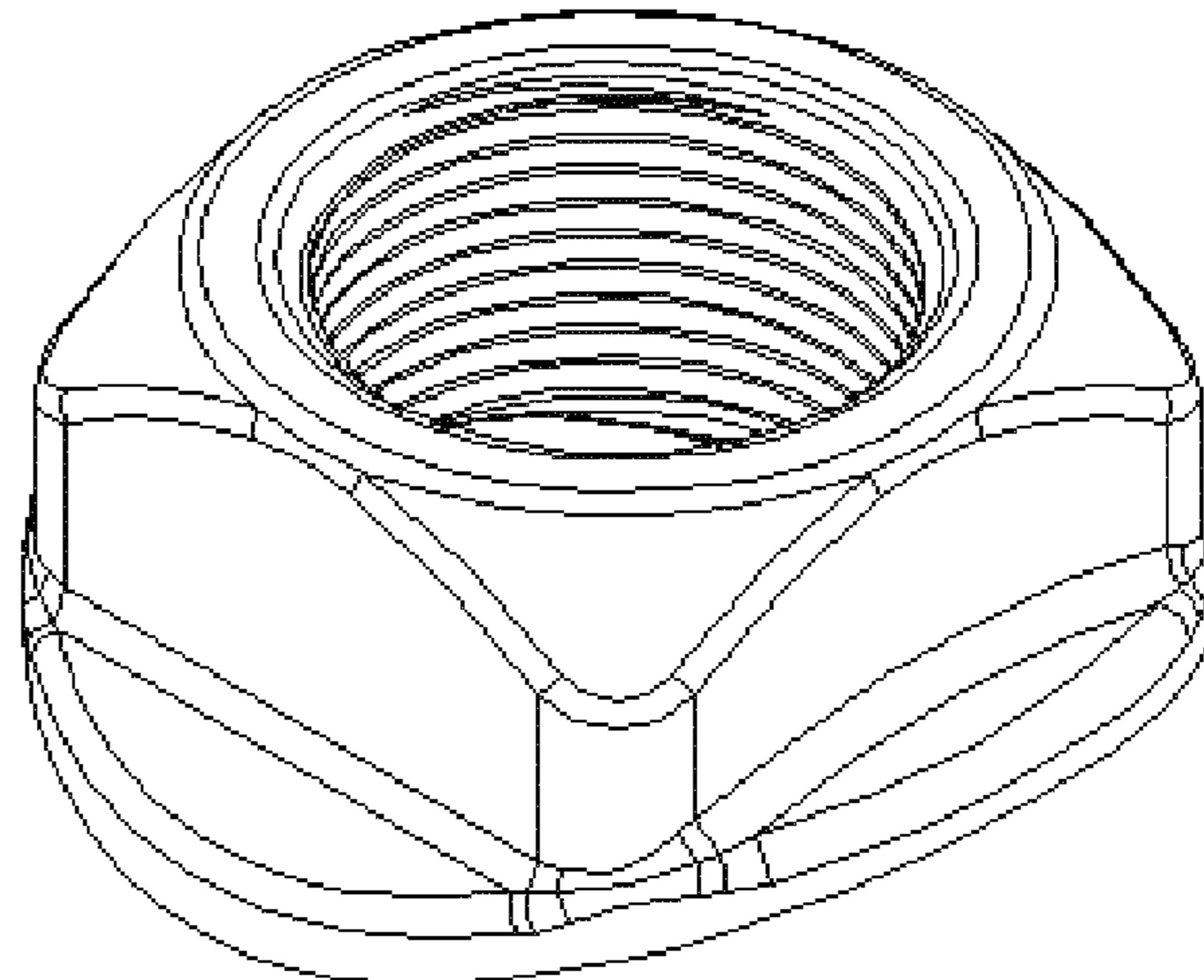
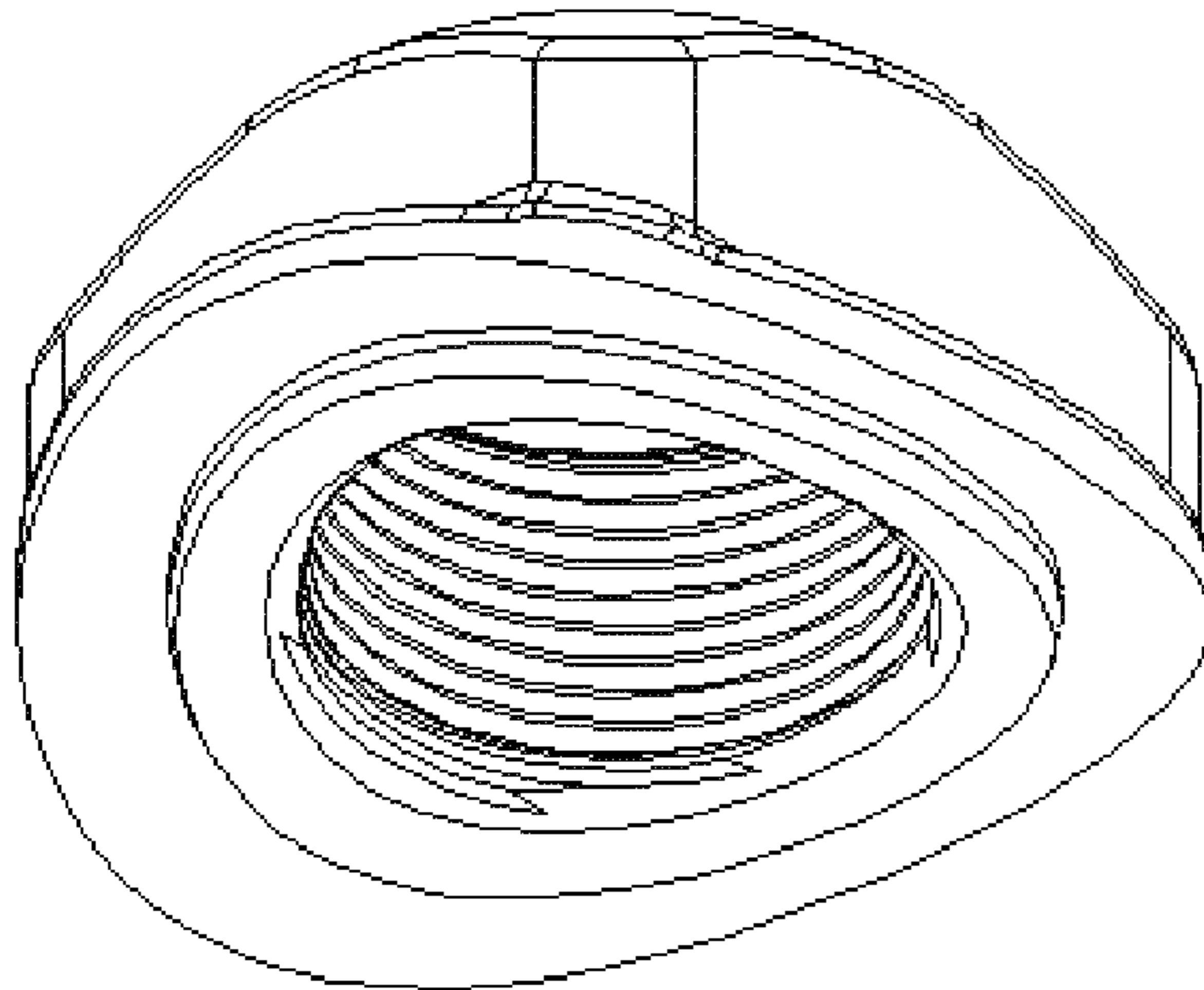
Primary Examiner — Antoine D Davis

(57) **CLAIM**
The ornamental design for an oxygen sensor boss, as shown.

DESCRIPTION

FIG. 1 is a top plan view of first embodiment of the oxygen sensor boss according to my design;
 FIG. 2 is a bottom plan view thereof;
 FIG. 3 is a front elevation view thereof, back elevation view is identical;
 FIG. 4 is a right side elevation view thereof, and the left side elevation view is identical;
 FIG. 5 is a bottom perspective view thereof;
 FIG. 6 is a top perspective view thereof; and,
 FIG. 7 is a bottom perspective view of second embodiment of the design, wherein the only difference to first embodiment being in that no lip at the bottom.

1 Claim, 4 Drawing Sheets



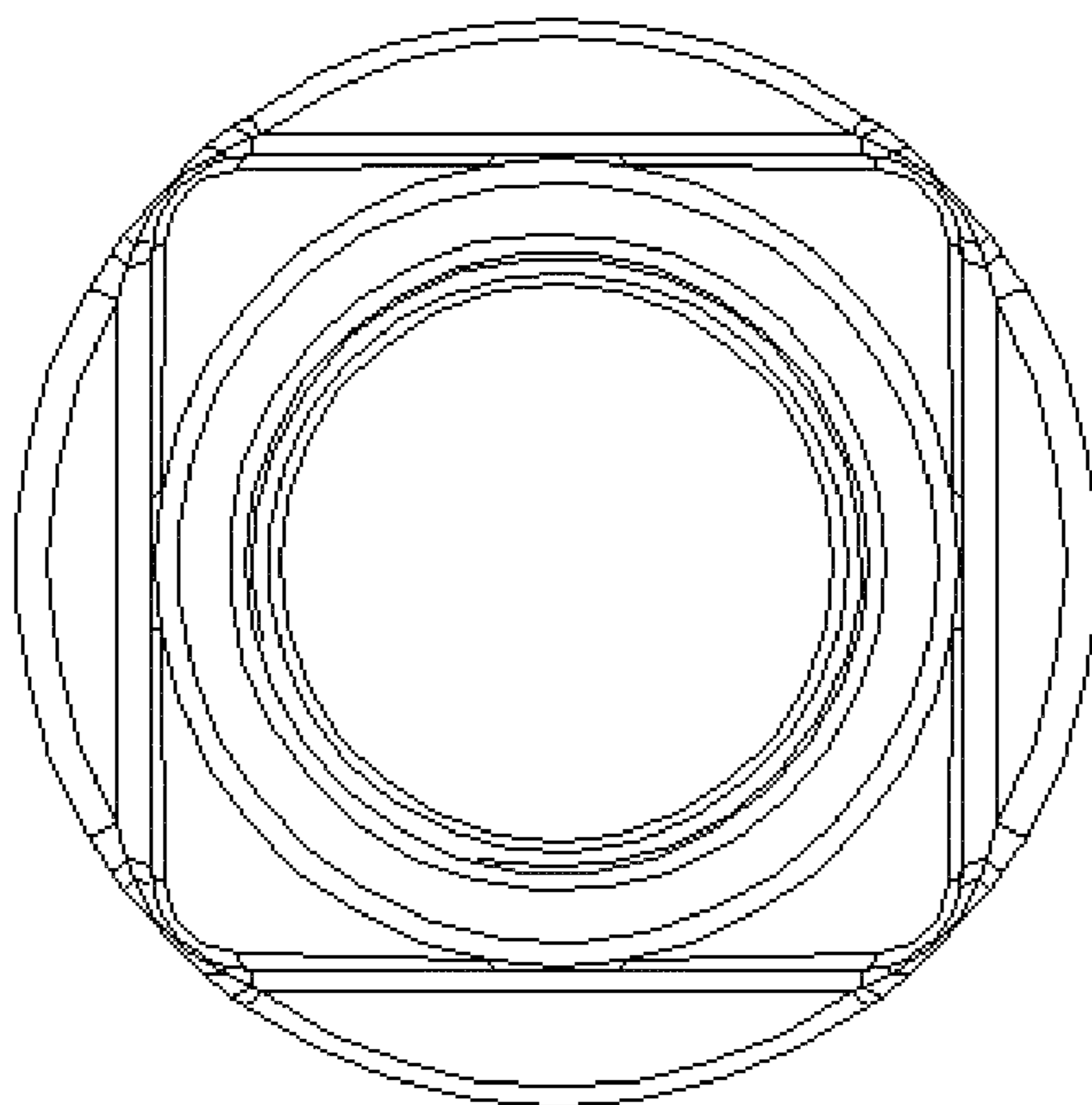


Fig. 1

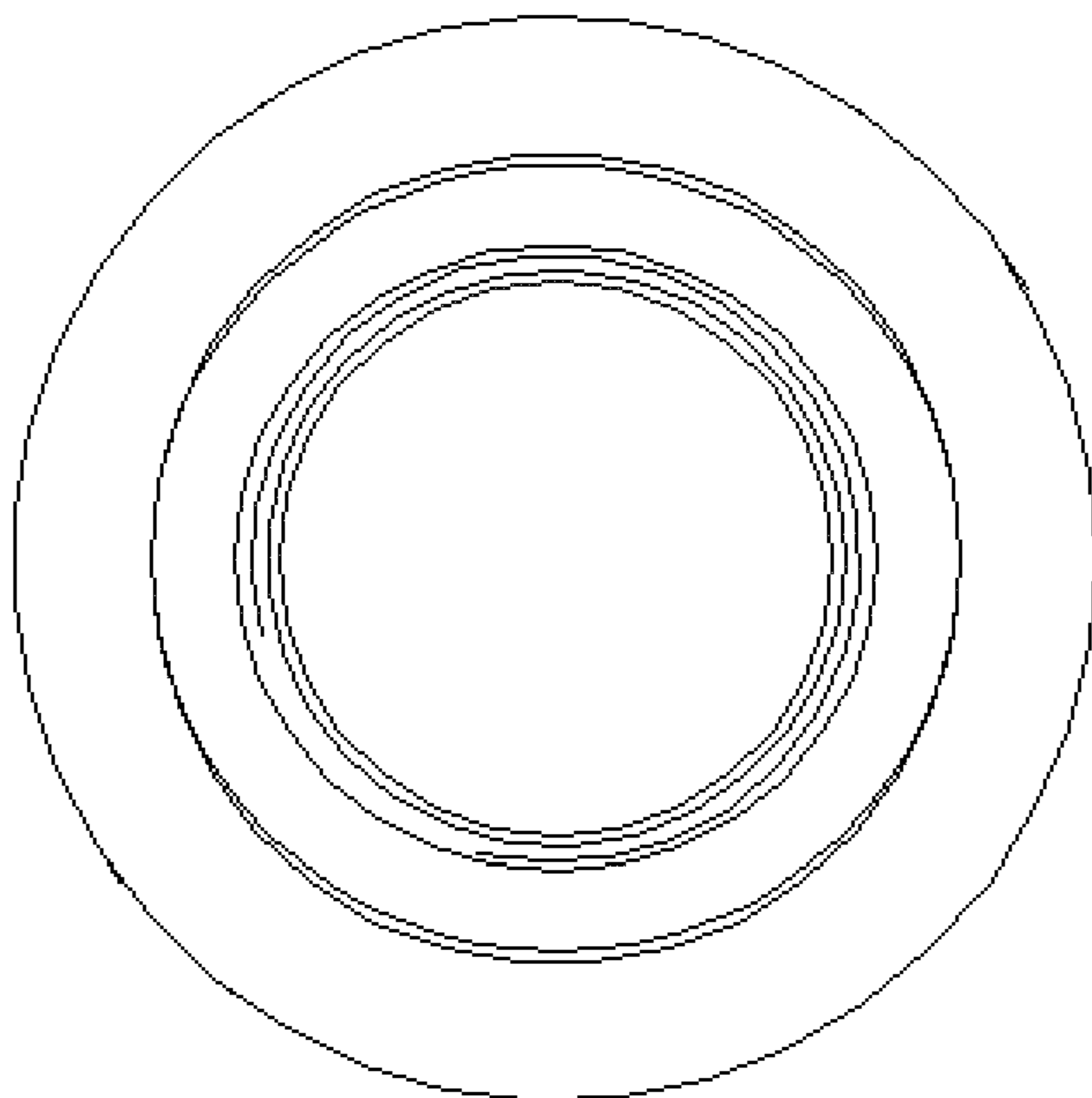


Fig. 2

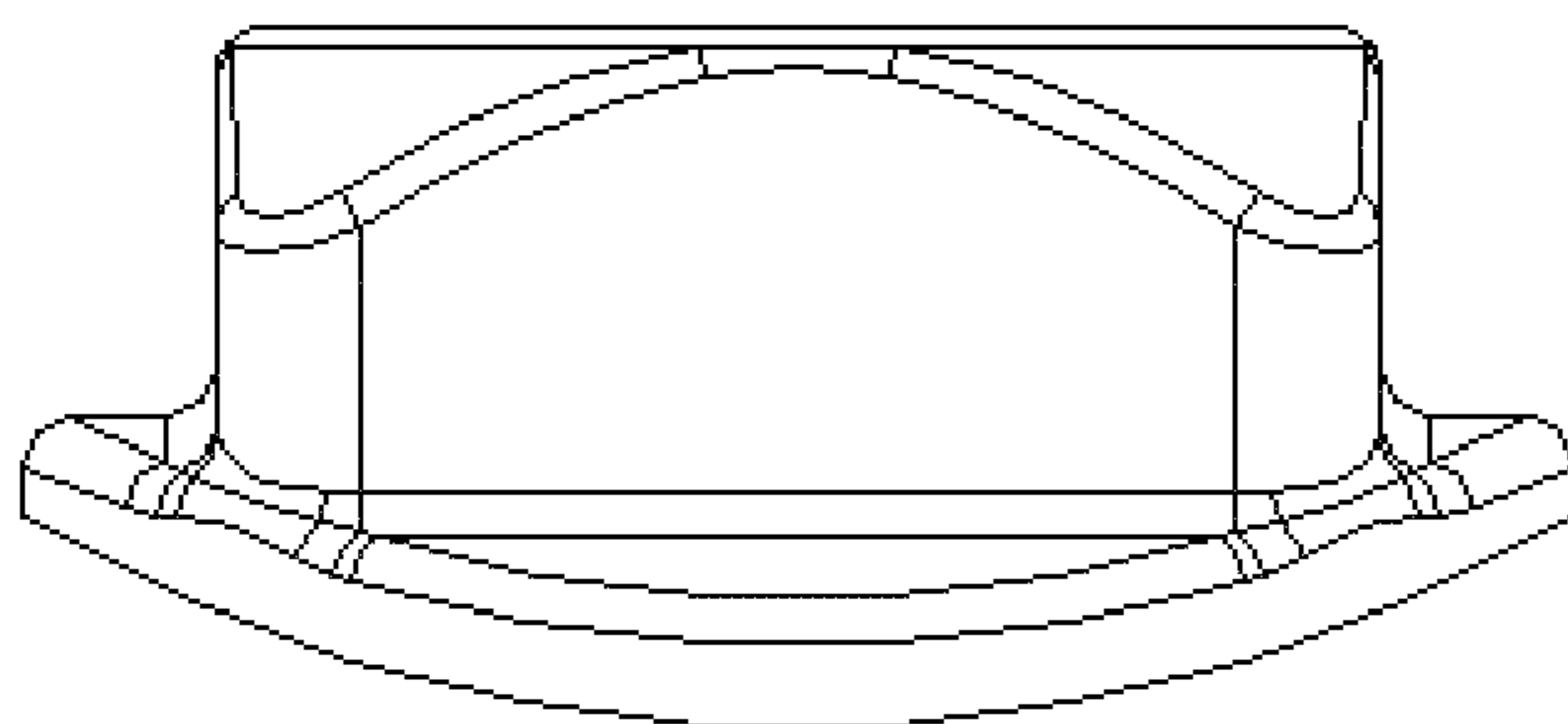


Fig. 3

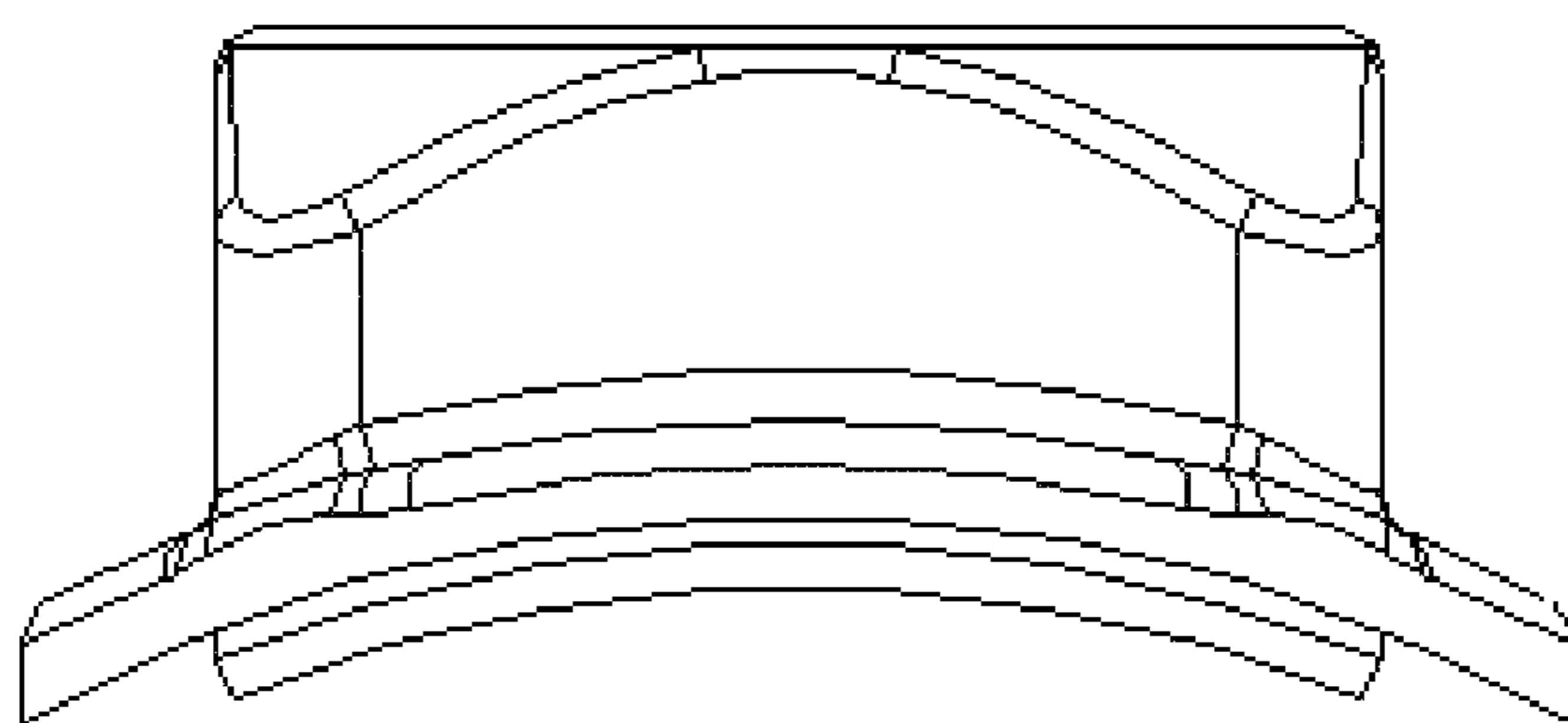


Fig. 4

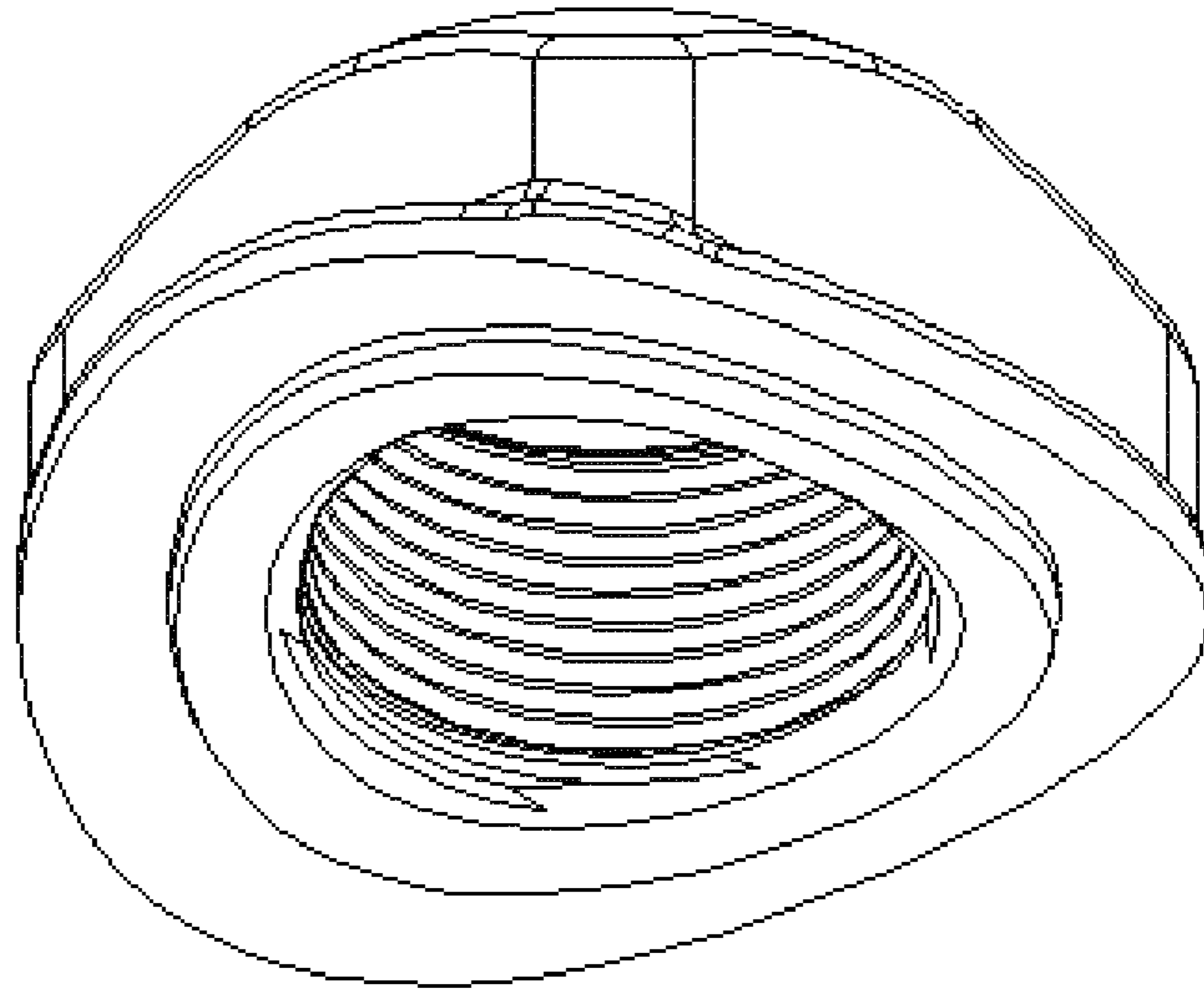


Fig. 5

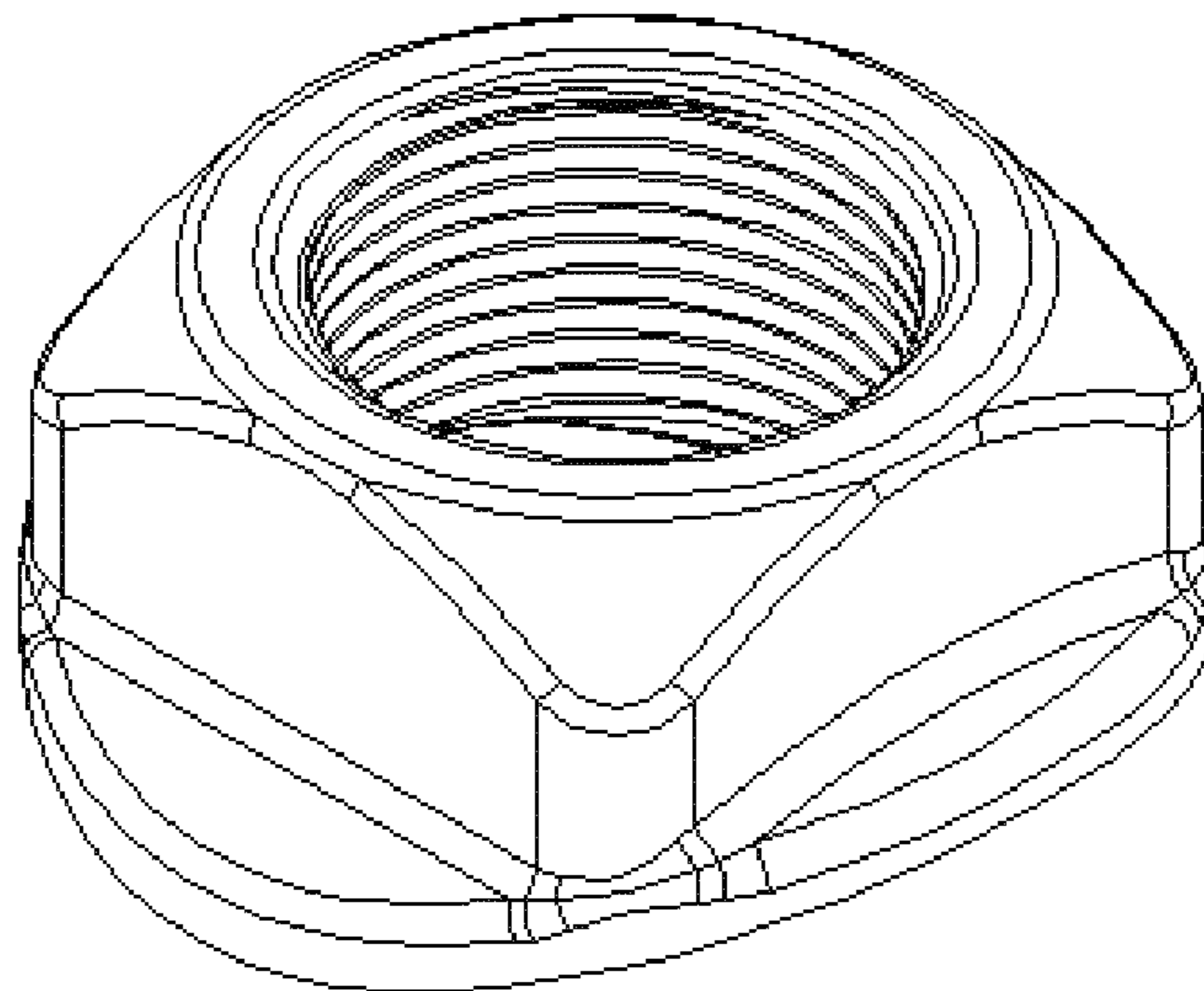


Fig. 6

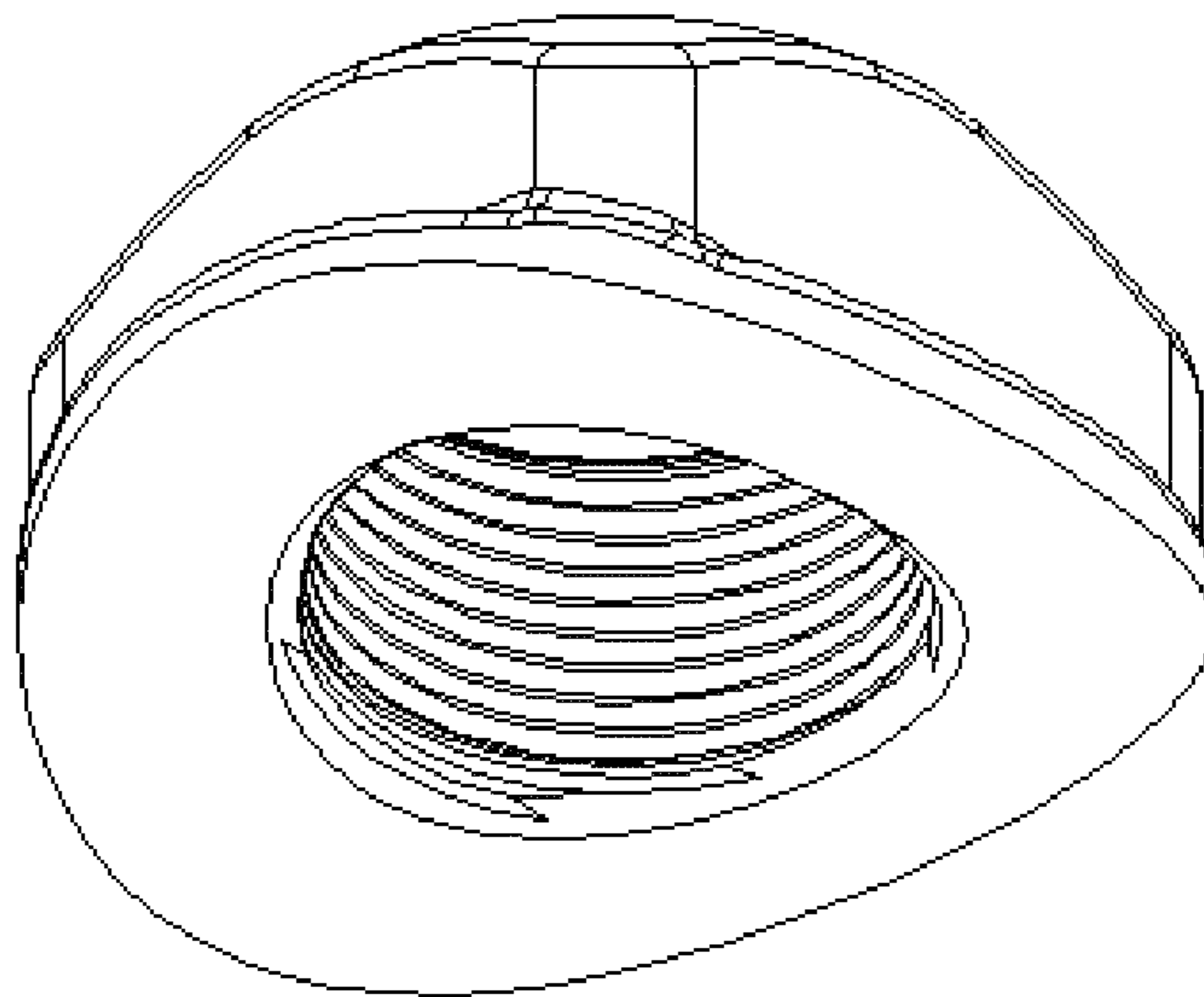


Fig. 7