



US00D732989S

(12) **United States Design Patent**
Ogihara et al.

(10) **Patent No.:** **US D732,989 S**
(45) **Date of Patent:** **** Jun. 30, 2015**

(54) **ACTIVITY MONITOR**

5/023; G01J 5/24; G01J 5/10; G01J 5/20;
G01J 5/0235; G01J 5/08; G01J 5/0853;
G01J 5/33; G01J 5/34; G01J 5/00

(71) Applicant: **OMRON HEALTHCARE Co., Ltd.**,
Kyoto (JP)

See application file for complete search history.

(72) Inventors: **Tsuyoshi Ogihara**, Kyoto (JP); **Shusuke Eshita**, Kyoto (JP); **Tamaki Ito**, Kyoto (JP)

(56) **References Cited**

U.S. PATENT DOCUMENTS

(73) Assignee: **OMRON HEALTHCARE Co., Ltd.**,
Kyoto (JP)

D715,665 S * 10/2014 Park et al. D10/98
D715,666 S * 10/2014 Park et al. D10/98

* cited by examiner

(**) Term: **14 Years**

Primary Examiner — Antoine D Davis

(21) Appl. No.: **29/491,136**

(74) *Attorney, Agent, or Firm* — Capitol City TechLaw

(22) Filed: **May 16, 2014**

(57) **CLAIM**

The ornamental design for an activity monitor, as shown and described.

(30) **Foreign Application Priority Data**

DESCRIPTION

Nov. 19, 2013 (JP) 2013-027038

(51) **LOC (10) Cl.** **10-04**

FIG. 1 is a front, top, and right side perspective view of an activity monitor showing our new design;

(52) **U.S. Cl.**

USPC **D10/70; D10/78**

FIG. 2 is a rear, bottom, and left side perspective view thereof;

(58) **Field of Classification Search**

USPC D10/30-39, 65, 70, 78, 97, 98, 103;
D11/3; D13/173-177; D14/138 R,
D14/203.5, 247, 338-340, 344, 346, 347;
D24/167, 168

FIG. 3 is a front view thereof;

FIG. 4 is a rear view thereof;

FIG. 5 is a top view thereof;

FIG. 6 is a bottom view thereof;

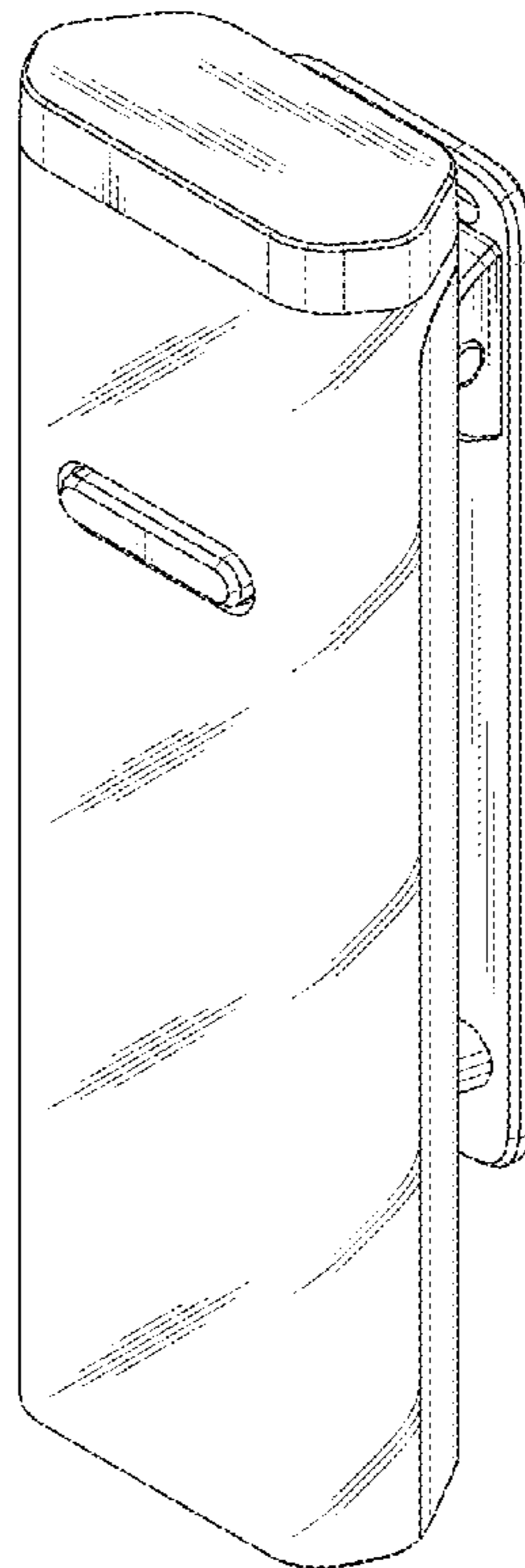
FIG. 7 is a right side view thereof; and,

FIG. 8 is a left side view thereof.

The oblique lines in FIGS. 1-4 and 6-8 indicate translucency.

CPC G08G 1/096883; G08G 1/096872;
G08G 1/096775; G01C 21/16; G01C 21/3688;
G01C 21/30; G01V 8/20; G01J 5/02; G01J

1 Claim, 8 Drawing Sheets



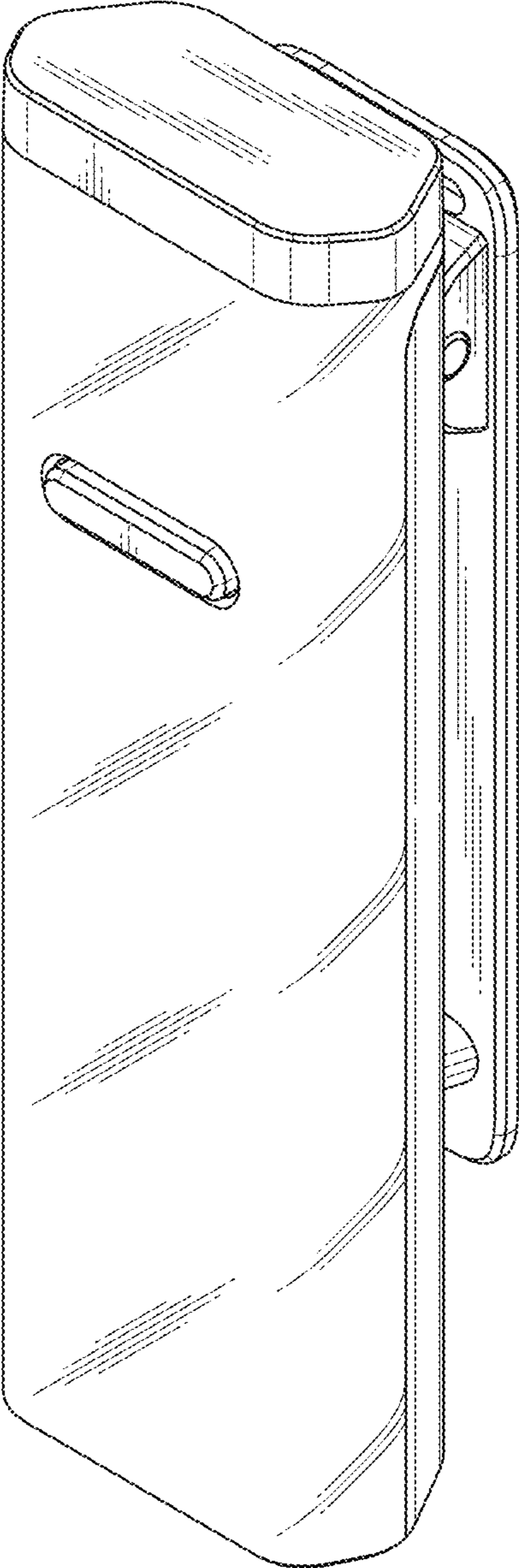


FIG.1

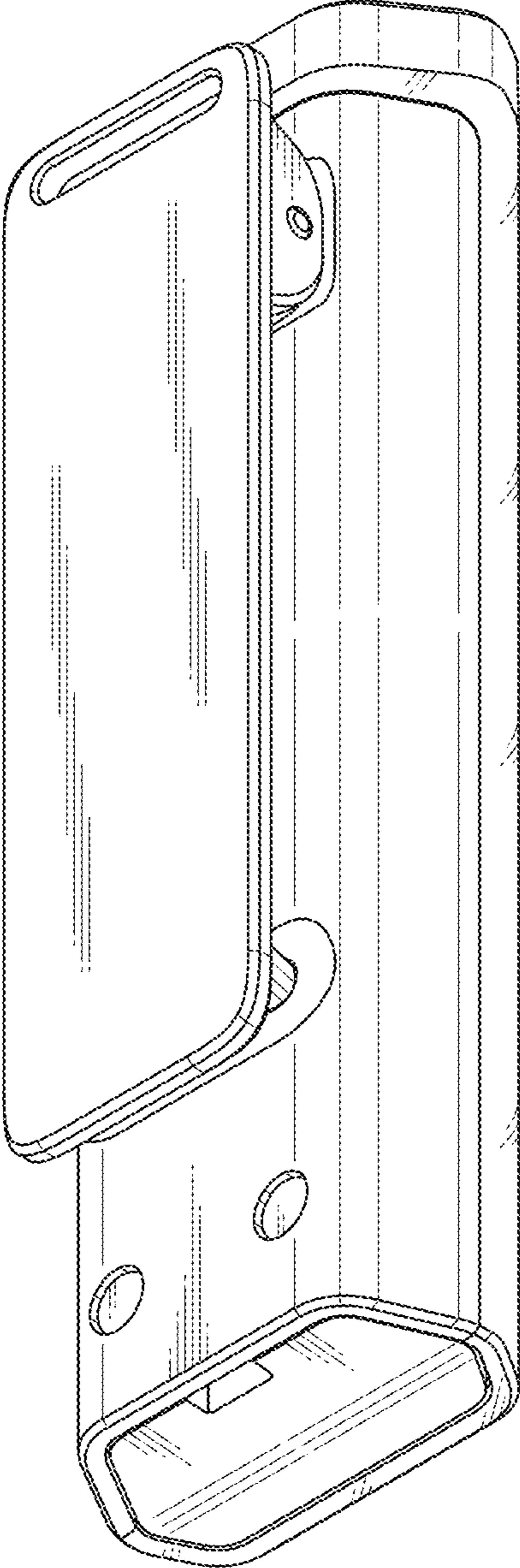


FIG.2

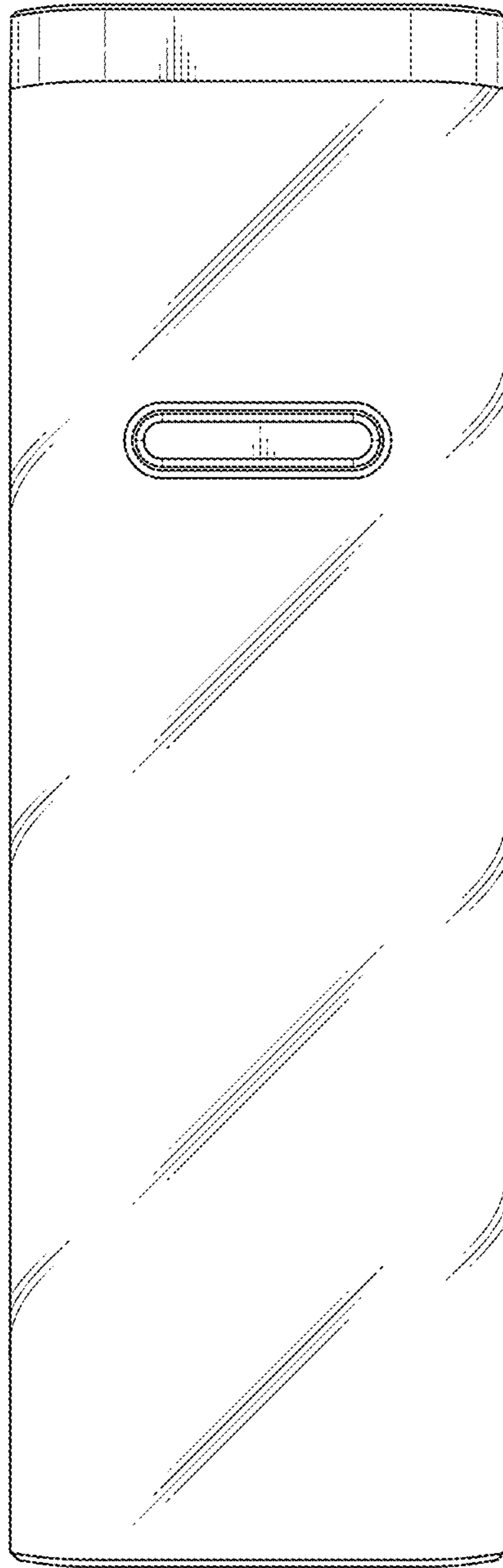


FIG. 3

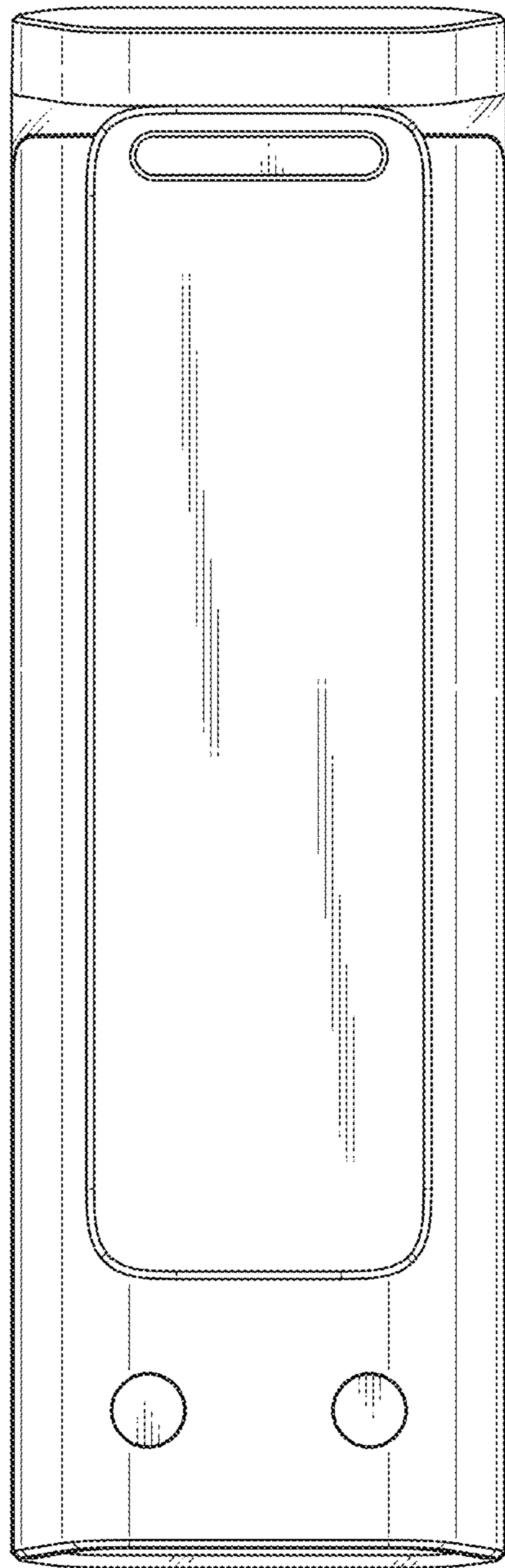


FIG.4

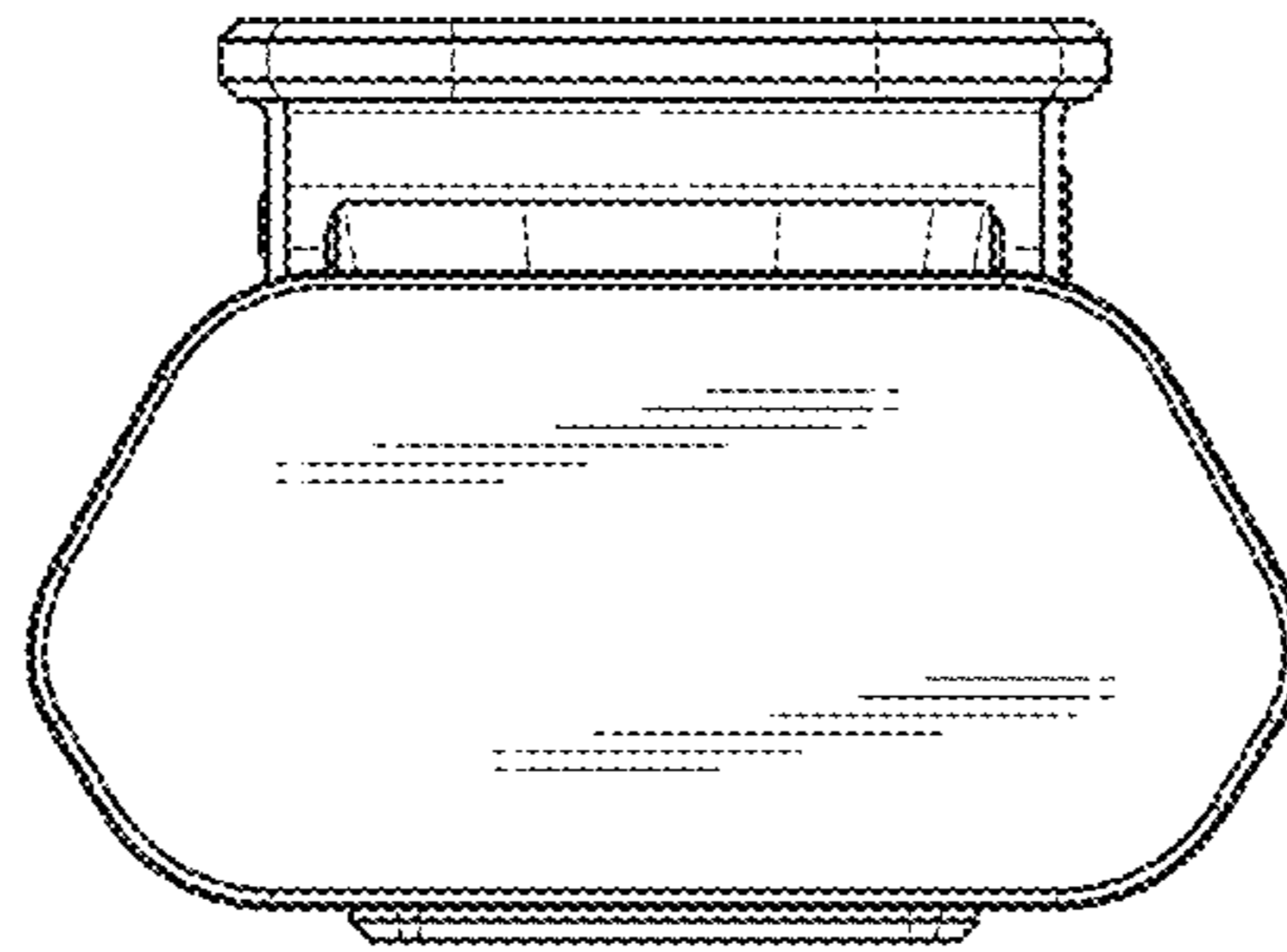


FIG.5

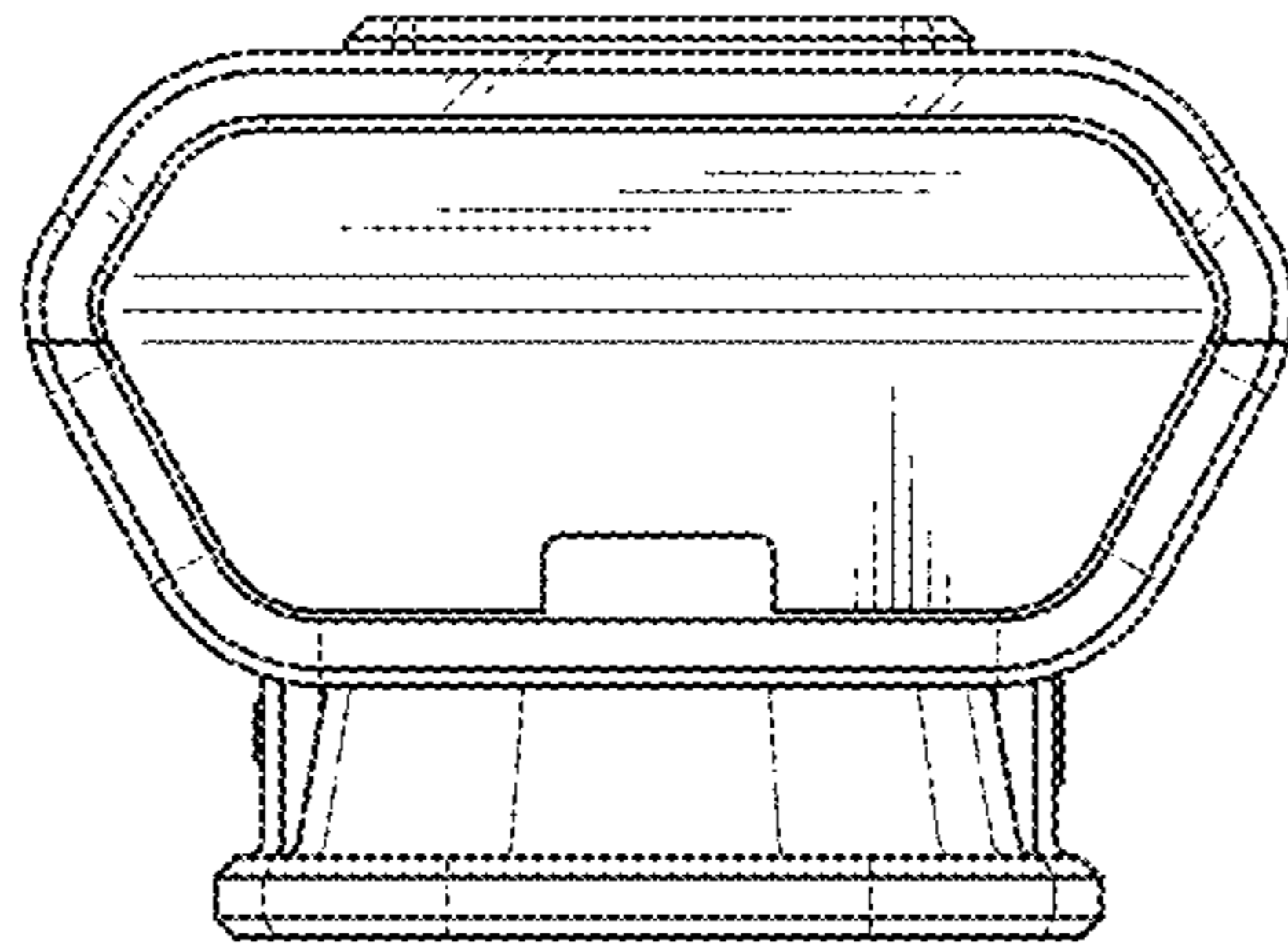


FIG.6

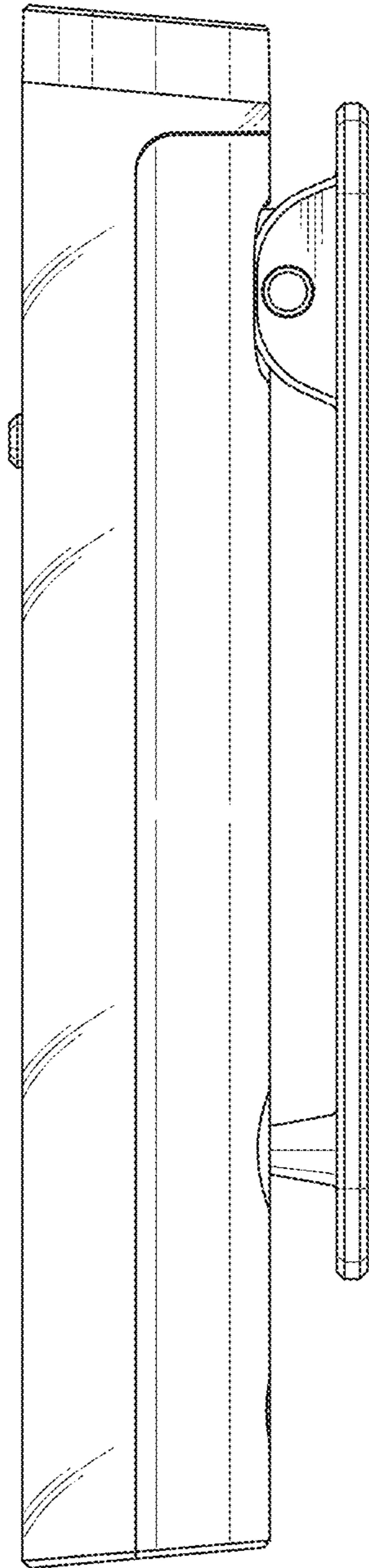


FIG. 7

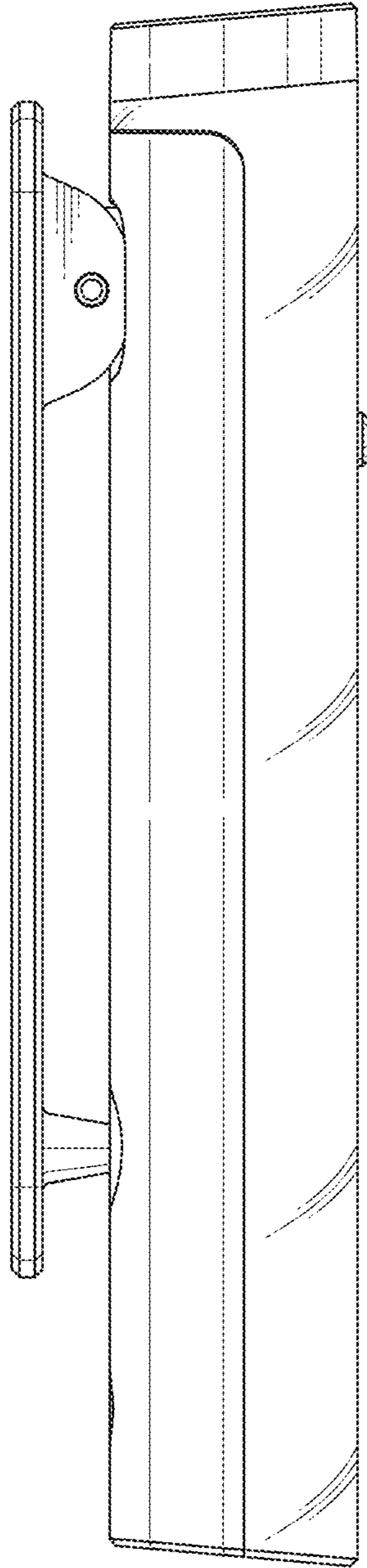


FIG.8