

US00D732988S

(12) **United States Design Patent**  
**Bucheder**

(10) **Patent No.:** **US D732,988 S**

(45) **Date of Patent:** **\*\* Jun. 30, 2015**

(54) **CASING FOR MEASURING INSTRUMENT**

(71) Applicant: **E+E ELEKTRONIK Ges.m.b.H.**,  
Engerwitzdorf (AT)

(72) Inventor: **Erwin Bucheder**, Voecklabruck (AT)

(73) Assignee: **E+E Elektronik Ges.M.B.H.**,  
Engerwitzdorf (AT)

(\*\*) Term: **14 Years**

(21) Appl. No.: **29/469,967**

(22) Filed: **Oct. 16, 2013**

(30) **Foreign Application Priority Data**

Apr. 17, 2013 (EM) ..... 002222265-0002

(51) **LOC (10) Cl.** ..... **10-04**

(52) **U.S. Cl.**  
USPC ..... **D10/49**

(58) **Field of Classification Search**  
USPC ..... D10/46, 49-50  
CPC ..... G01K 1/00-1/065; G01K 1/08-1/125  
See application file for complete search history.

(56) **References Cited**

U.S. PATENT DOCUMENTS

D375,904 S \* 11/1996 Fukuda ..... D10/50  
D698,670 S \* 2/2014 Luo et al. .... D10/49  
2009/0288484 A1 \* 11/2009 Selvan et al. .... 73/335.02

\* cited by examiner

*Primary Examiner* — Antoine D Davis

(74) *Attorney, Agent, or Firm* — Kenyon & Kenyon LLP

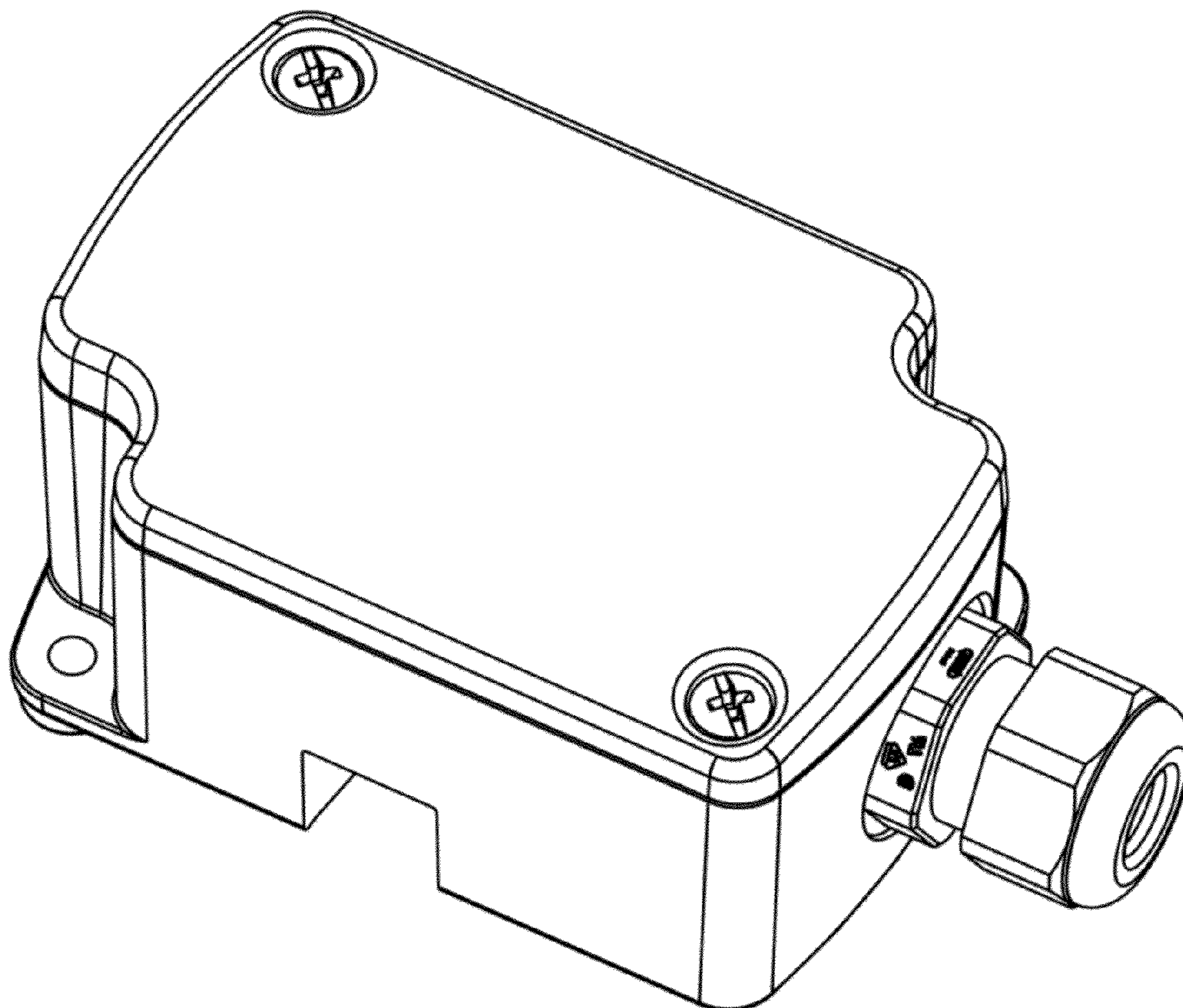
(57) **CLAIM**

The ornamental design for a casing for measuring instrument,  
as shown and described.

**DESCRIPTION**

FIG. 1 is a perspective view of an embodiment of a casing for measurement instrument showing my new design;  
FIG. 2 is a top view thereof;  
FIG. 3 is a front view thereof;  
FIG. 4 is a first side view thereof;  
FIG. 5 is a rear view thereof;  
FIG. 6 is a bottom view thereof; and,  
FIG. 7 is a second side view thereof.

**1 Claim, 4 Drawing Sheets**



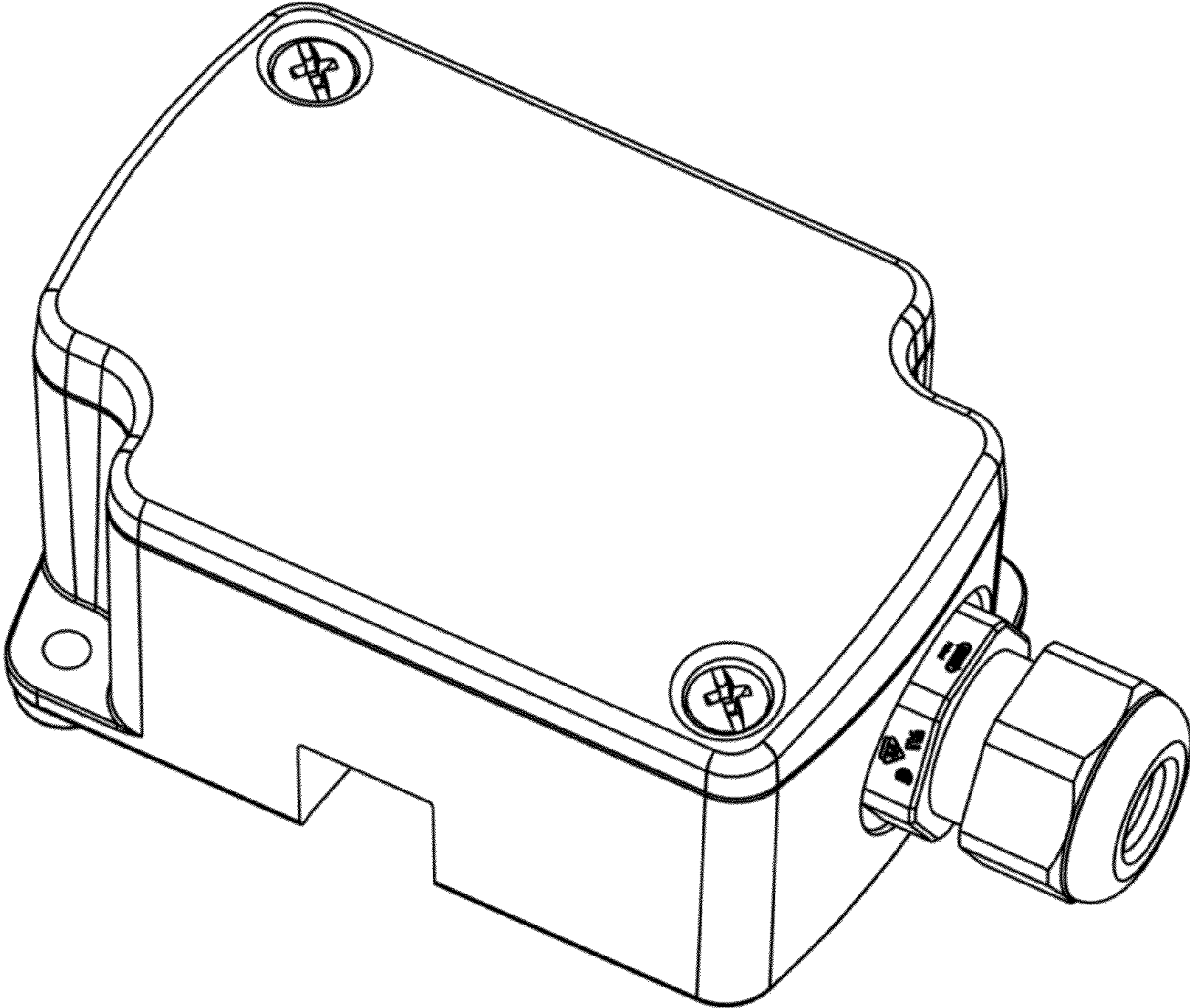


Figure 1

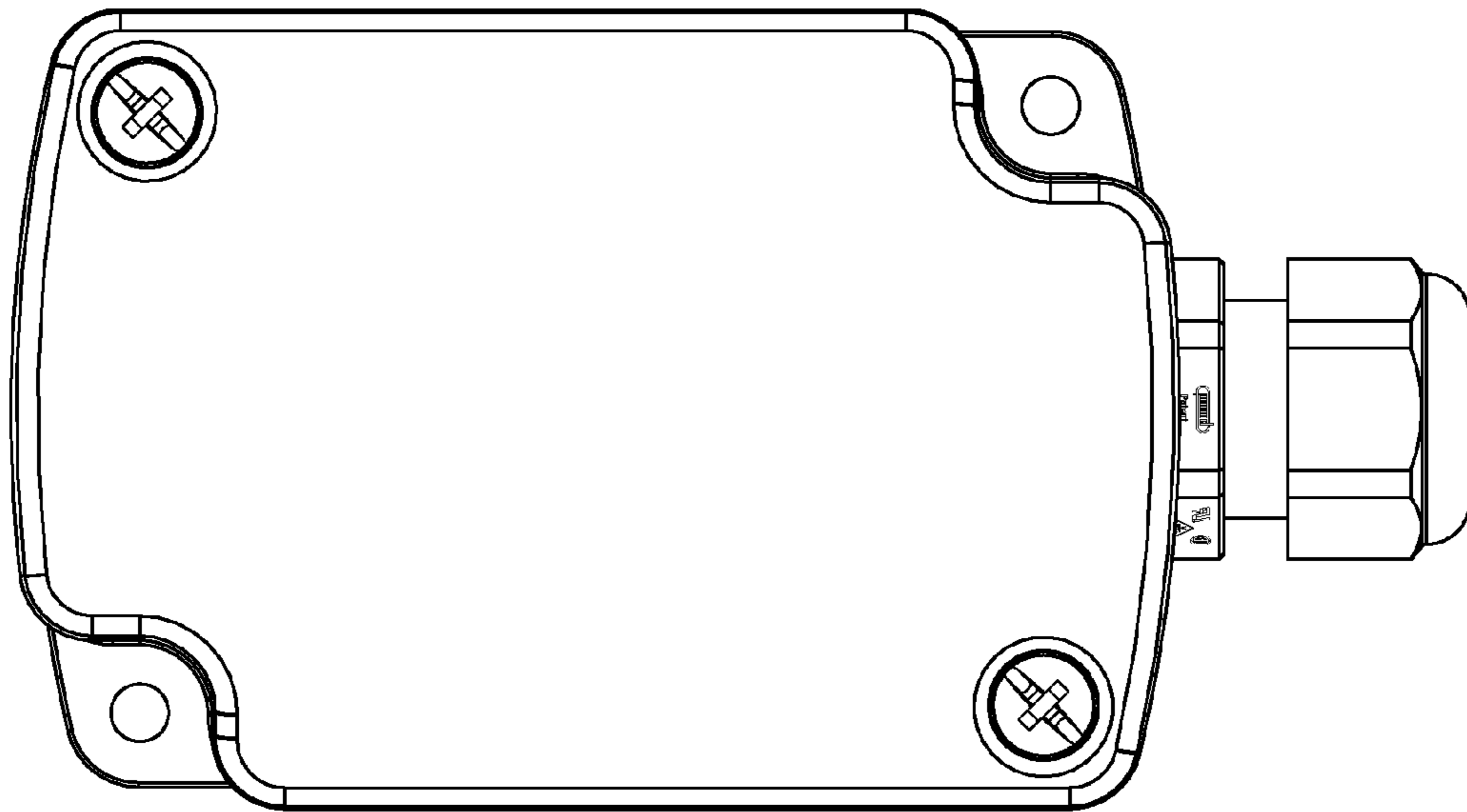


FIG. 2

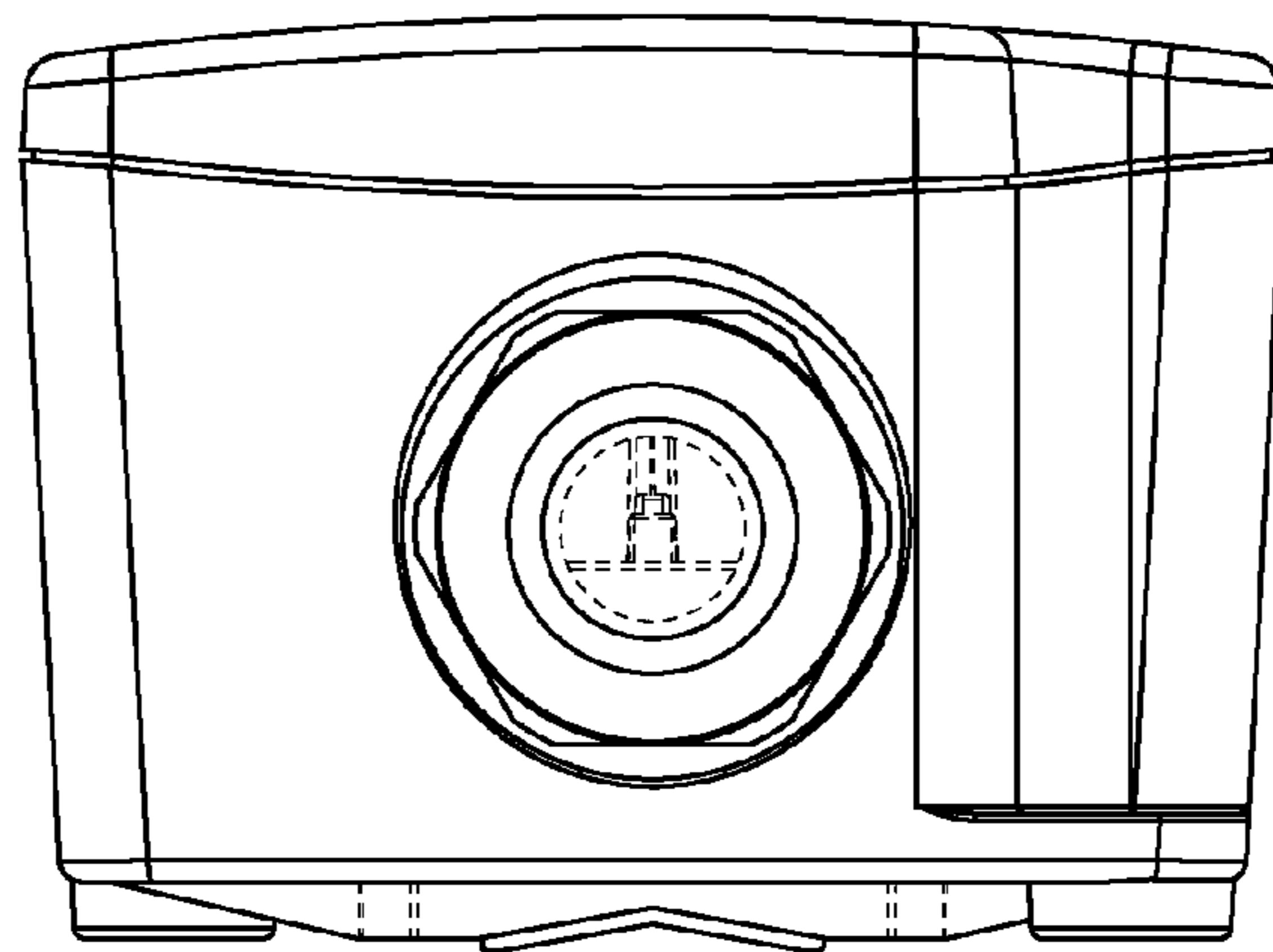


FIG. 3

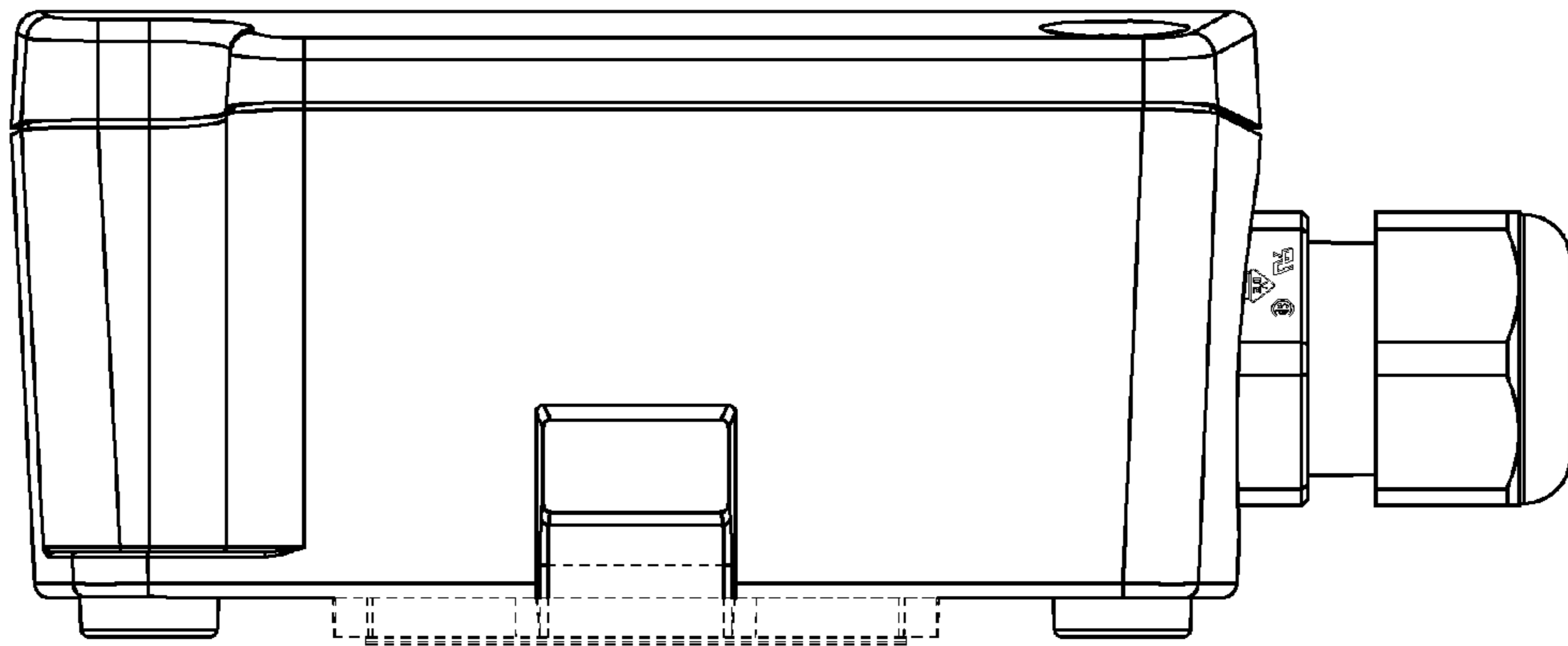


FIG. 4

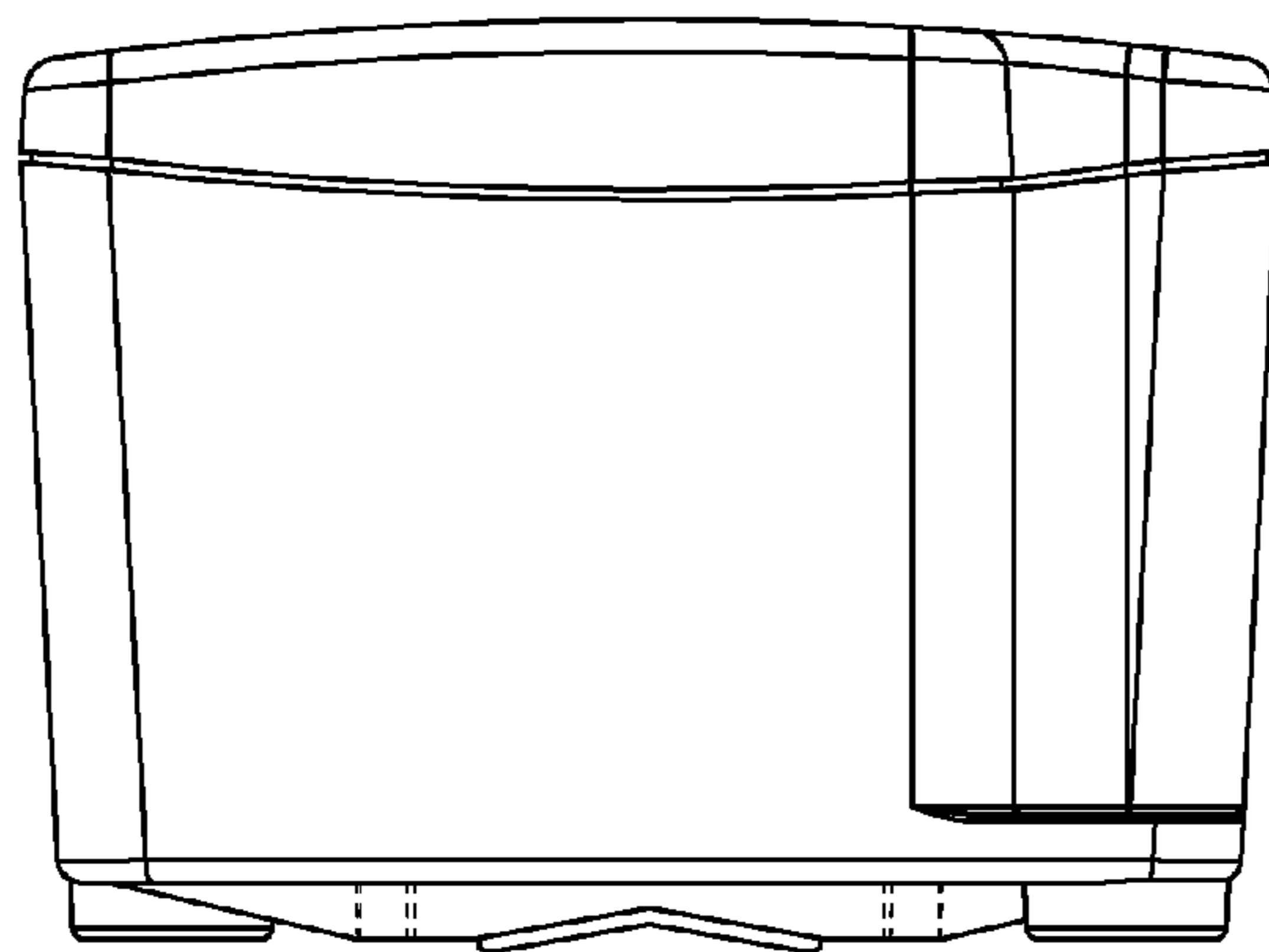


FIG. 5

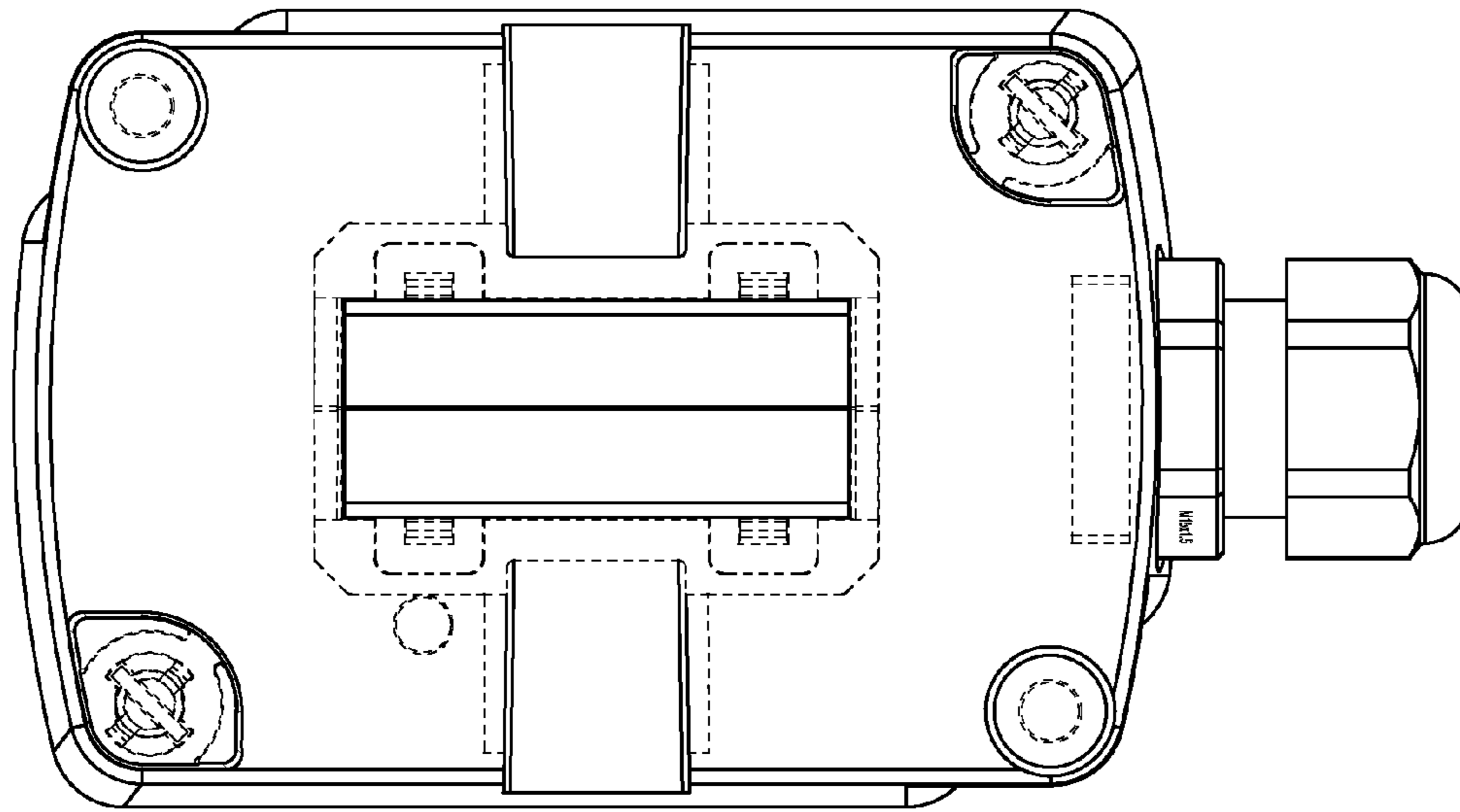


FIG. 6

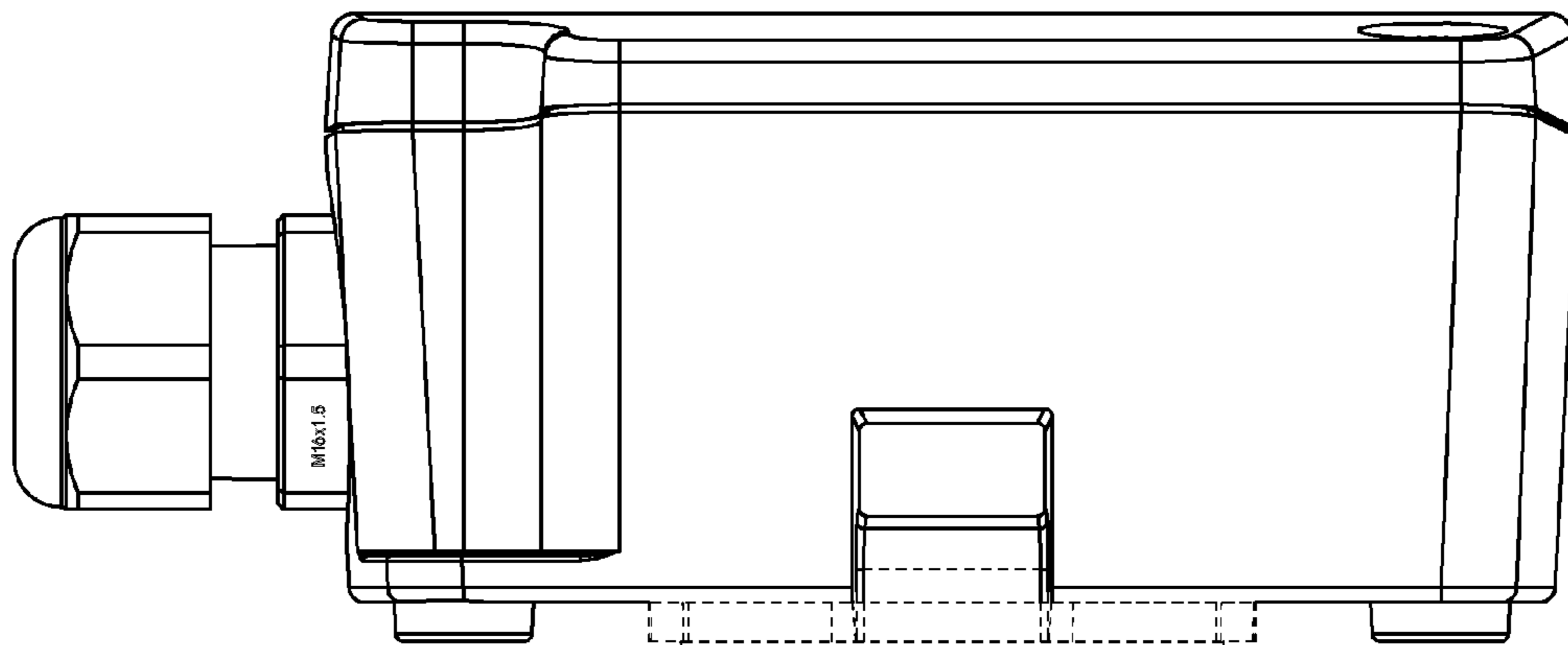


FIG. 7