



US00D732985S

(12) **United States Design Patent**  
**Cerrato**

(10) **Patent No.:** **US D732,985 S**  
(45) **Date of Patent:** **\*\* Jun. 30, 2015**

(54) **WATCH**

(71) Applicant: **Davide Cerrato**, Geneva (CH)

(72) Inventor: **Davide Cerrato**, Geneva (CH)

(73) Assignee: **TUDOR WATCH U.S.A., LLC**, New York, NY (US)

(\*\*) Term: **14 Years**

(21) Appl. No.: **29/481,727**

(22) Filed: **Feb. 10, 2014**

**Related U.S. Application Data**

(62) Division of application No. 29/401,898, filed on Sep. 16, 2011, now Pat. No. Des. 701,134.

(30) **Foreign Application Priority Data**

Mar. 16, 2011 (CH) ..... 137820

(51) **LOC (10) Cl.** ..... **10-02**

(52) **U.S. Cl.**  
USPC ..... **D10/39**

(58) **Field of Classification Search**  
USPC ..... D10/30-39, 122-132; 368/276, 281, 368/282, 290, 319, 320, 321, 223, 228, 232  
CPC .. G04B 37/00; G04B 37/008; G04B 37/0058; G04B 45/0069; G04B 37/081; G04B 37/106; G04B 19/06; G04B 19/08; G04B 19/048; G04G 21/08  
See application file for complete search history.

(56) **References Cited**

**U.S. PATENT DOCUMENTS**

D53,110 S \* 3/1919 Bliss ..... D10/126  
D55,520 S \* 6/1920 Marsh ..... D10/126

D131,628 S 3/1942 Heinmuller  
D195,421 S 6/1963 Huguenin  
3,475,902 A 11/1969 Wessel  
3,665,701 A \* 5/1972 Burdet ..... 368/295  
3,740,944 A \* 6/1973 Chopard ..... 368/281  
3,901,023 A \* 8/1975 Uebelhardt ..... 368/281  
D240,026 S 5/1976 Szalek  
5,119,349 A \* 6/1992 Muto et al. .... 368/157  
5,220,541 A \* 6/1993 Vuilleumier ..... 368/88  
D371,079 S \* 6/1996 Mijatovic ..... D10/39  
D460,002 S 7/2002 Wunderman  
D473,473 S 4/2003 Wunderman  
D485,768 S \* 1/2004 Baumann ..... D10/32  
D517,432 S 3/2006 Laucella  
D536,628 S 2/2007 Roth  
D536,998 S \* 2/2007 Fujihara ..... D10/38  
D538,181 S \* 3/2007 Sugiura ..... D10/31  
D538,182 S 3/2007 Lalo  
D579,350 S 10/2008 Calvani  
D585,309 S 1/2009 Monachon  
D588,941 S \* 3/2009 Fasciano ..... D10/38  
D590,727 S \* 4/2009 Wei ..... D10/38  
D592,975 S \* 5/2009 Markl ..... D10/32  
D618,119 S \* 6/2010 Tonohori ..... D10/38  
D624,443 S \* 9/2010 Cerrato ..... D10/38  
D634,653 S \* 3/2011 Laucella ..... D10/39  
7,988,350 B2 \* 8/2011 Bonnet et al. .... 368/297

(Continued)

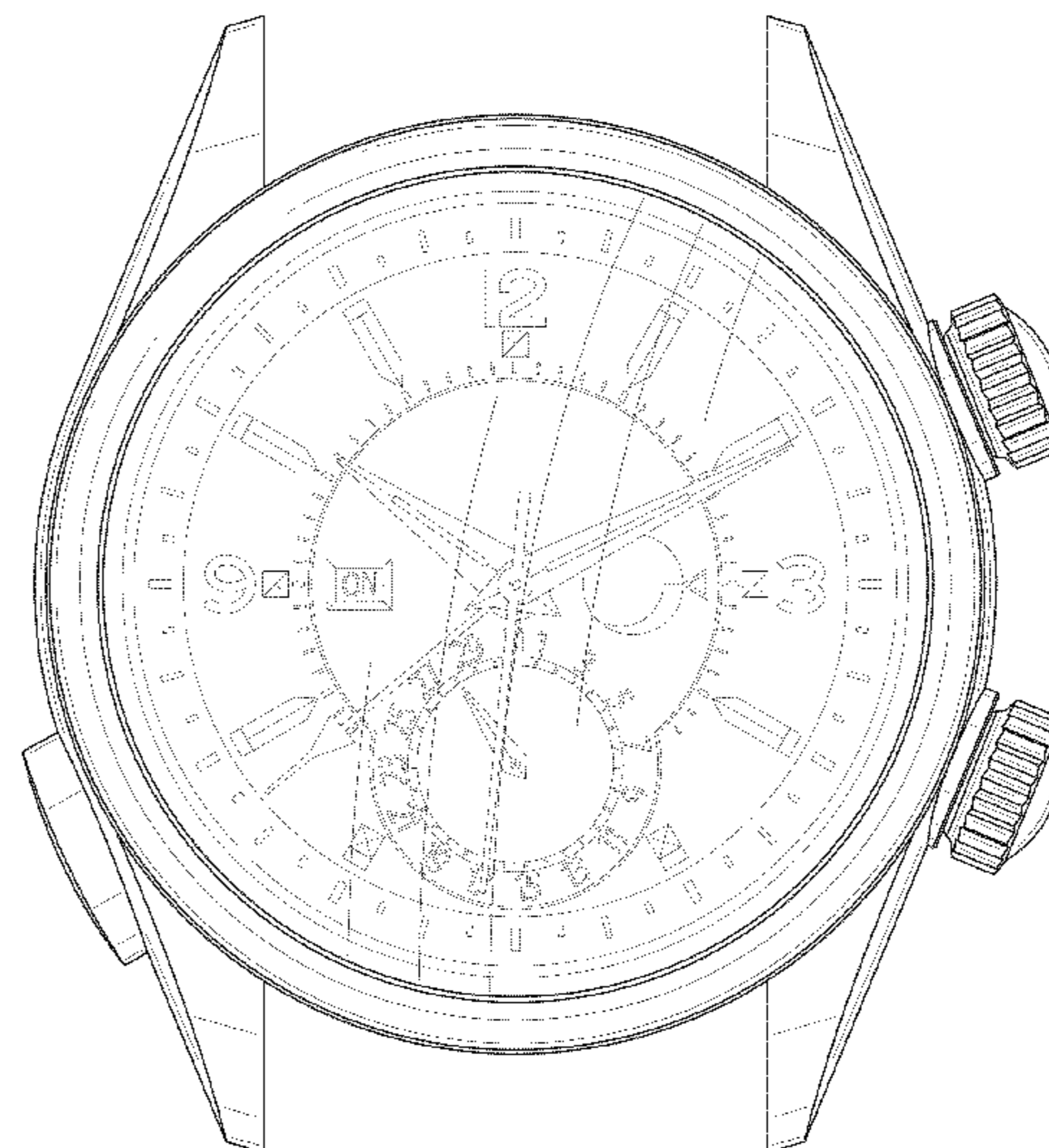
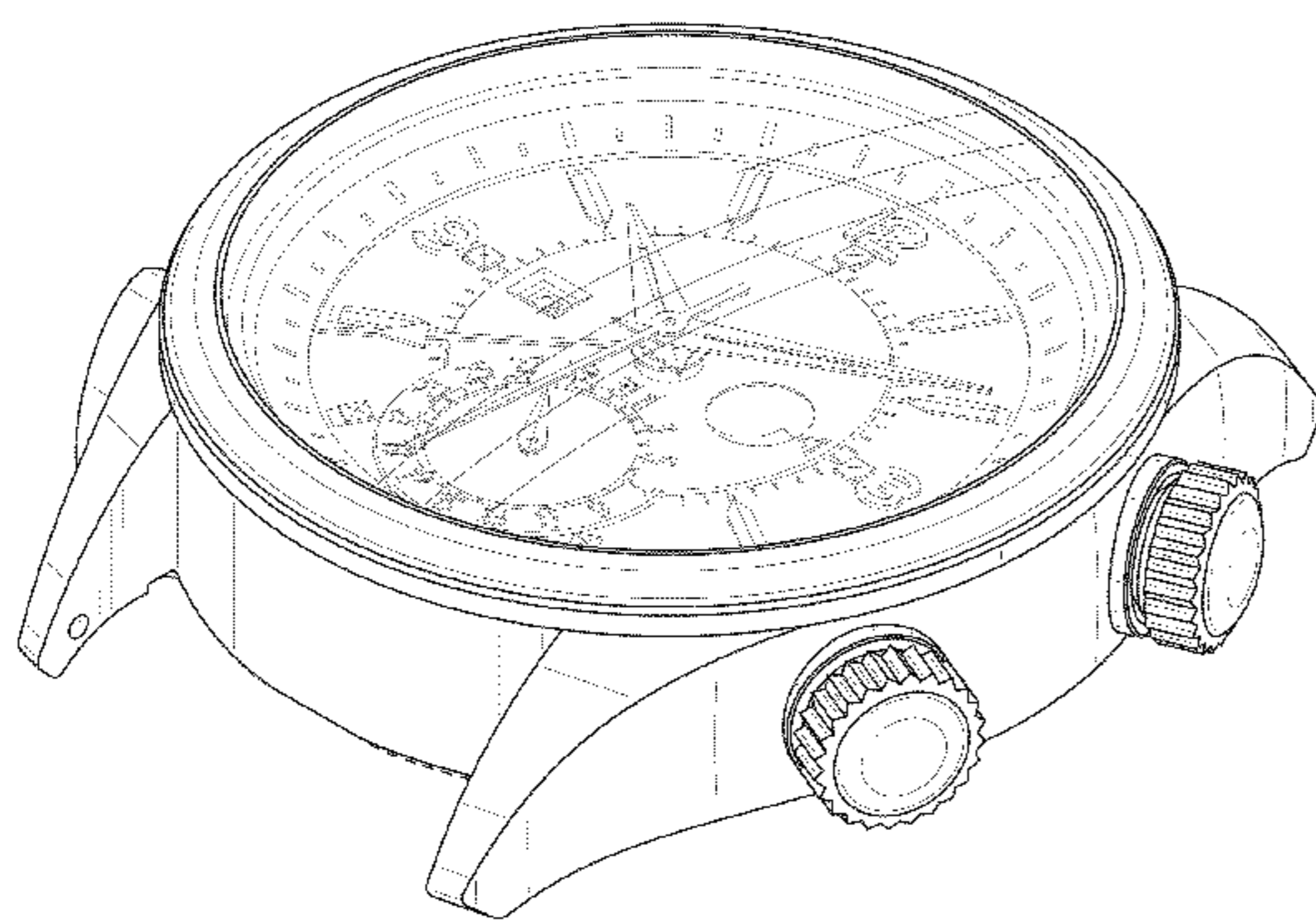
*Primary Examiner* — Lucy Lieberman  
(74) *Attorney, Agent, or Firm* — Sughrue Mion, PLLC

(57) **CLAIM**  
The ornamental design for a watch, as shown and described.

**DESCRIPTION**

FIG. 1 is a right-top perspective view of the watch;  
FIG. 2 is a top view of the watch;  
FIG. 3 is a right side view of the watch; and,  
FIG. 4 is a left side view of the watch.  
The broken lines depict environment only and form no part of the claimed design.

**1 Claim, 3 Drawing Sheets**



(56)

**References Cited**

U.S. PATENT DOCUMENTS

D652,328 S *	1/2012	Laucella et al. ....	D10/39	D668,162 S *	10/2012	Inoue .....	D10/39
D655,630 S	3/2012	Behling		D688,580 S *	8/2013	Delhotal .....	D10/124
D658,517 S	5/2012	Behling		D691,495 S *	10/2013	Duport .....	D10/32
D664,879 S	8/2012	Behling		D701,134 S *	3/2014	Cerrato .....	D10/126
D667,316 S *	9/2012	Tonohori .....	D10/32	D702,136 S *	4/2014	Monachon .....	D10/39
				D708,965 S *	7/2014	Monachon .....	D10/39
				D711,750 S *	8/2014	Monachon .....	D10/39
				2013/0201804 A1 *	8/2013	Bertrand et al. ....	368/281

\* cited by examiner



FIG. 1



FIG. 2

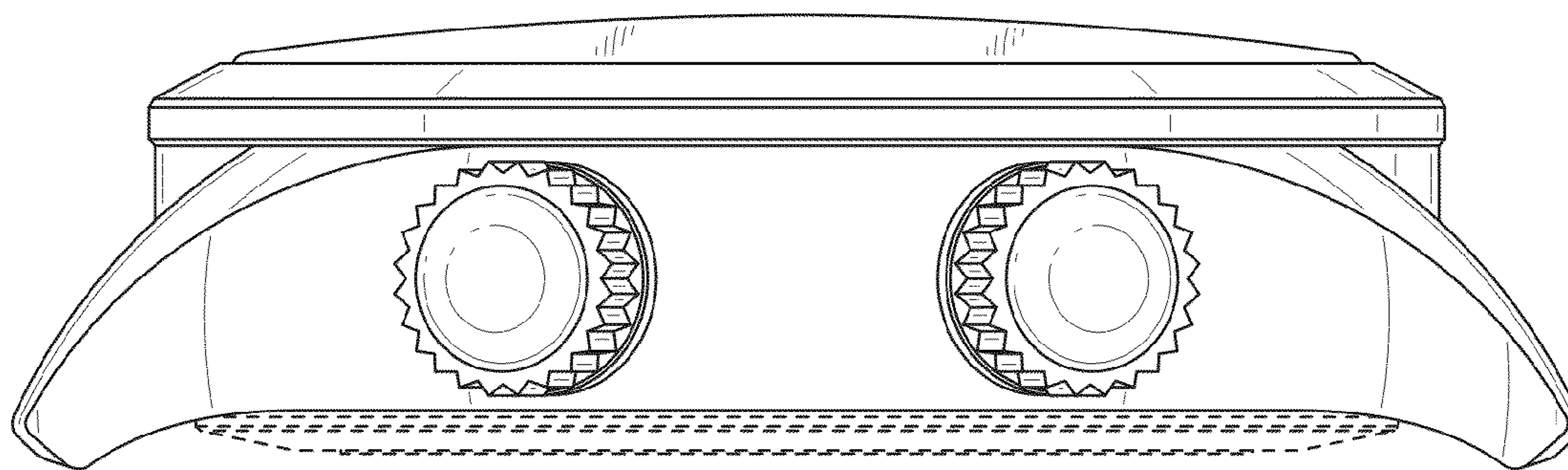


FIG. 3

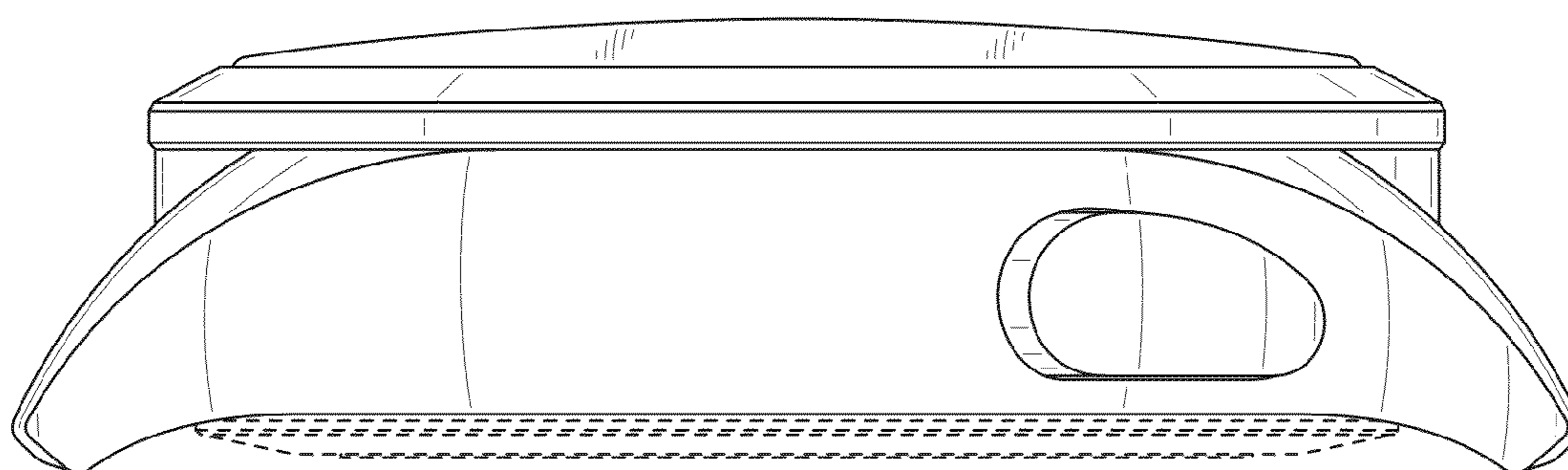


FIG. 4