

US00D732982S

(12) **United States Design Patent**
Monachon

(10) **Patent No.:** **US D732,982 S**
(45) **Date of Patent:** **** Jun. 30, 2015**

(54) **WATCHCASE**

(71) Applicant: **OMEGA LTD.**, Biel/Bienne (CH)

(72) Inventor: **Jean-Claude Monachon**, Bevaix (CH)

(73) Assignee: **OMEGA LTD.**, Biel/Bienne (CH)

(**) Term: **14 Years**

(21) Appl. No.: **29/495,887**

(22) Filed: **Jul. 7, 2014**

(30) **Foreign Application Priority Data**

Jan. 7, 2014 (WO) DM/082 568

(51) **LOC (10) Cl.** **10-02**

(52) **U.S. Cl.**
USPC **D10/38**

(58) **Field of Classification Search**
USPC D10/30-39, 122-132; 368/276, 281,
368/282, 294, 295
CPC G04B 37/0008; G04B 19/08; G04B 19/18;
G04B 9/0088; G04B 9/0094; G04B 19/283;
G04B 19/286
See application file for complete search history.

(56) **References Cited**

U.S. PATENT DOCUMENTS

D195,421 S * 6/1963 Huguenin D10/39
3,475,902 A * 11/1969 Wessel 368/10
D501,641 S * 2/2005 Sugiura D10/39
D525,537 S * 7/2006 Monachon D10/32

D536,998 S * 2/2007 Fujihara D10/38
D544,372 S * 6/2007 Seyr et al. D10/32
D566,581 S * 4/2008 Giannini D10/32
D585,309 S * 1/2009 Monachon D10/39
D607,755 S * 1/2010 Kummer et al. D10/38
D621,284 S * 8/2010 Cerrato D10/38
D640,144 S * 6/2011 Tonohori D10/32
D656,416 S * 3/2012 Monachon D10/39
D656,417 S * 3/2012 Monachon D10/39
D668,162 S * 10/2012 Inoue D10/39
D701,465 S * 3/2014 Ganz D10/38
D702,136 S * 4/2014 Monachon D10/39
D708,965 S * 7/2014 Monachon D10/39
D711,750 S * 8/2014 Monachon D10/39

* cited by examiner

Primary Examiner — Lucy Lieberman

(74) *Attorney, Agent, or Firm* — Donald J. Ranft; Kristen A. Mogavero; Collen IP

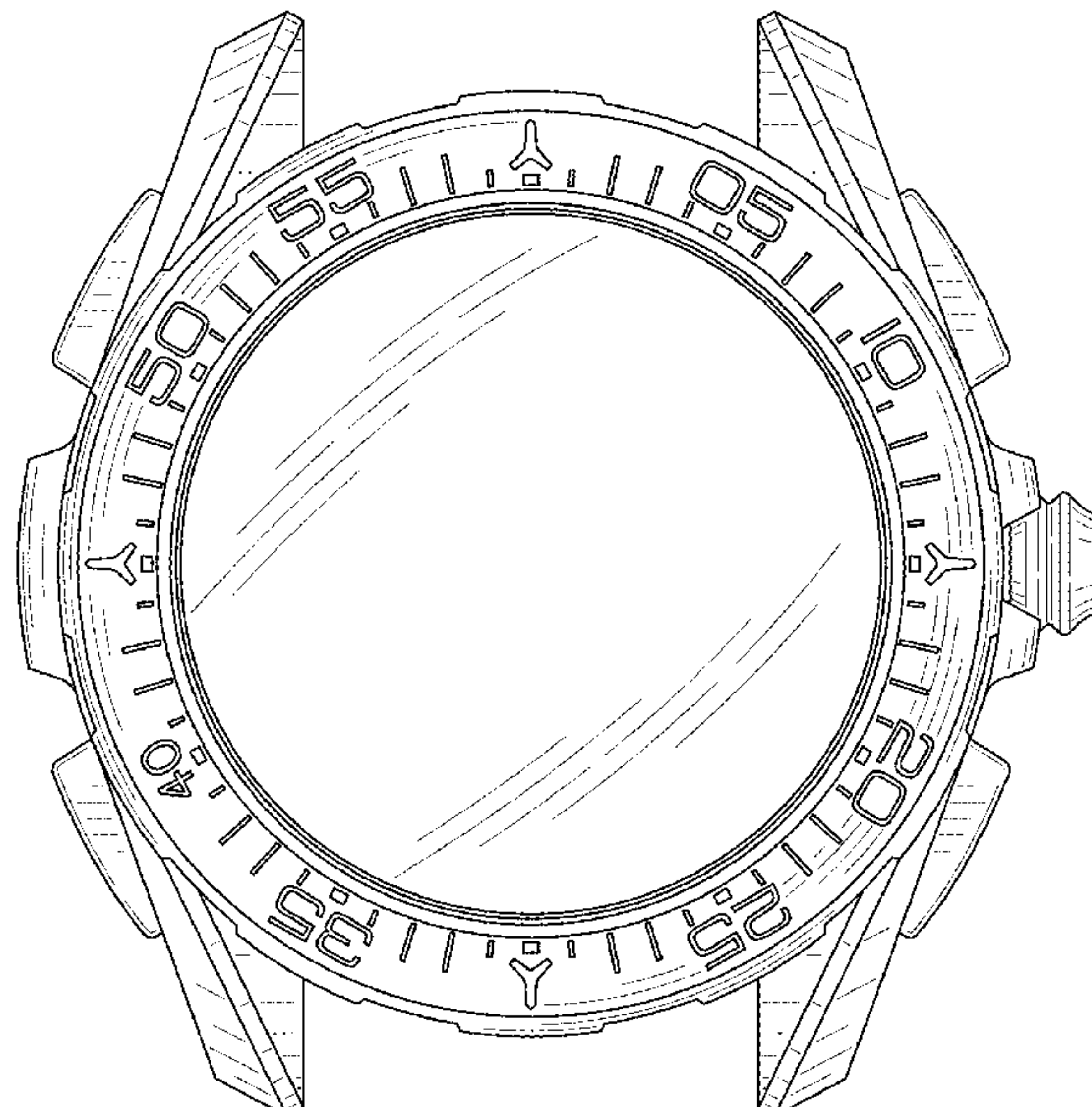
(57) **CLAIM**

The ornamental design for a watchcase, as shown.

DESCRIPTION

FIG. 1 is a front right perspective view of a watchcase showing my new design;
FIG. 2 is a rear right perspective view thereof;
FIG. 3 is a rear left perspective view thereof;
FIG. 4 is a front view thereof;
FIG. 5 is a rear view thereof;
FIG. 6 is a left side view thereof;
FIG. 7 is a right side view thereof;
FIG. 8 is a top view thereof; and,
FIG. 9 is a bottom view thereof.

1 Claim, 7 Drawing Sheets



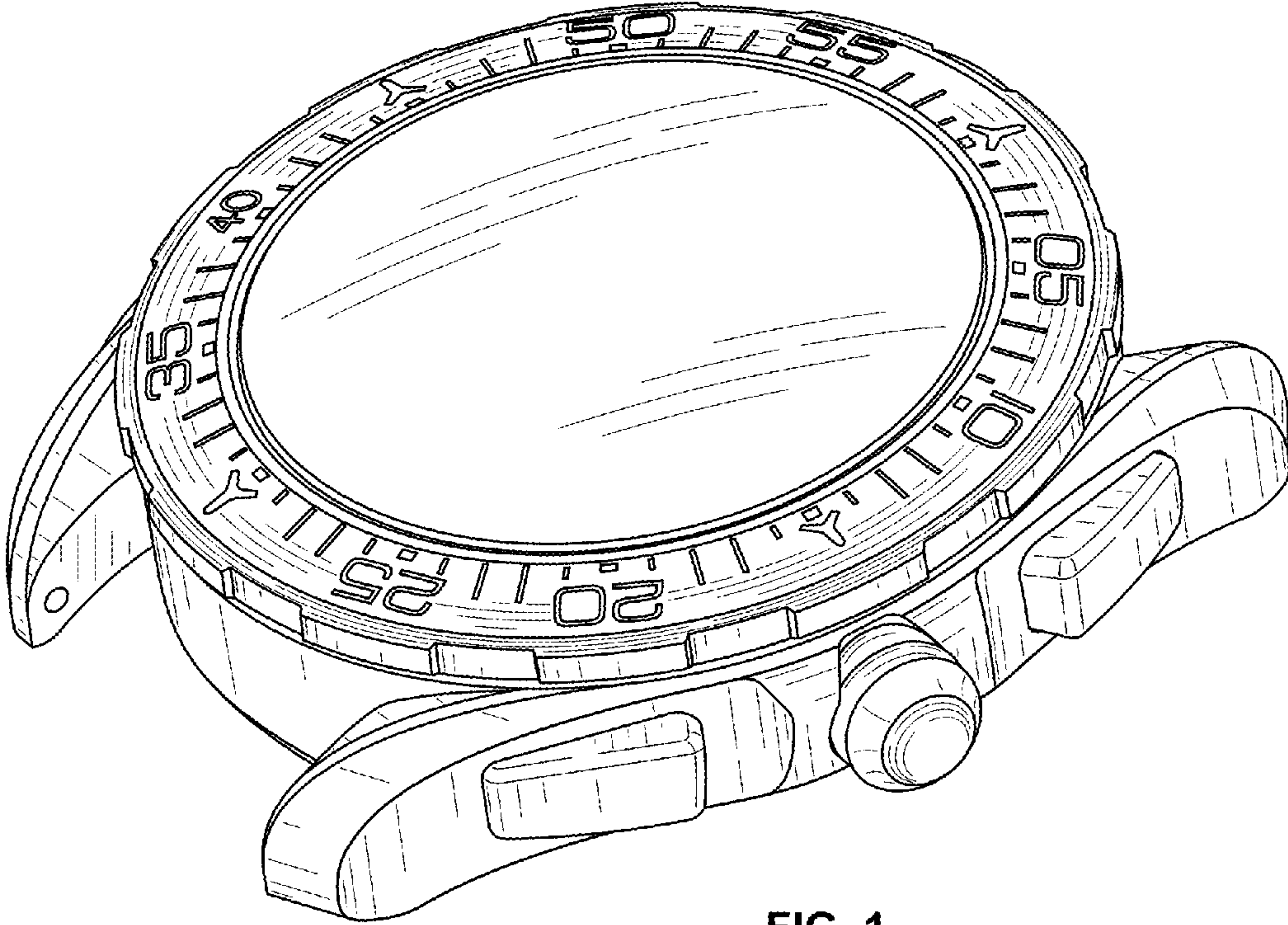


FIG. 1

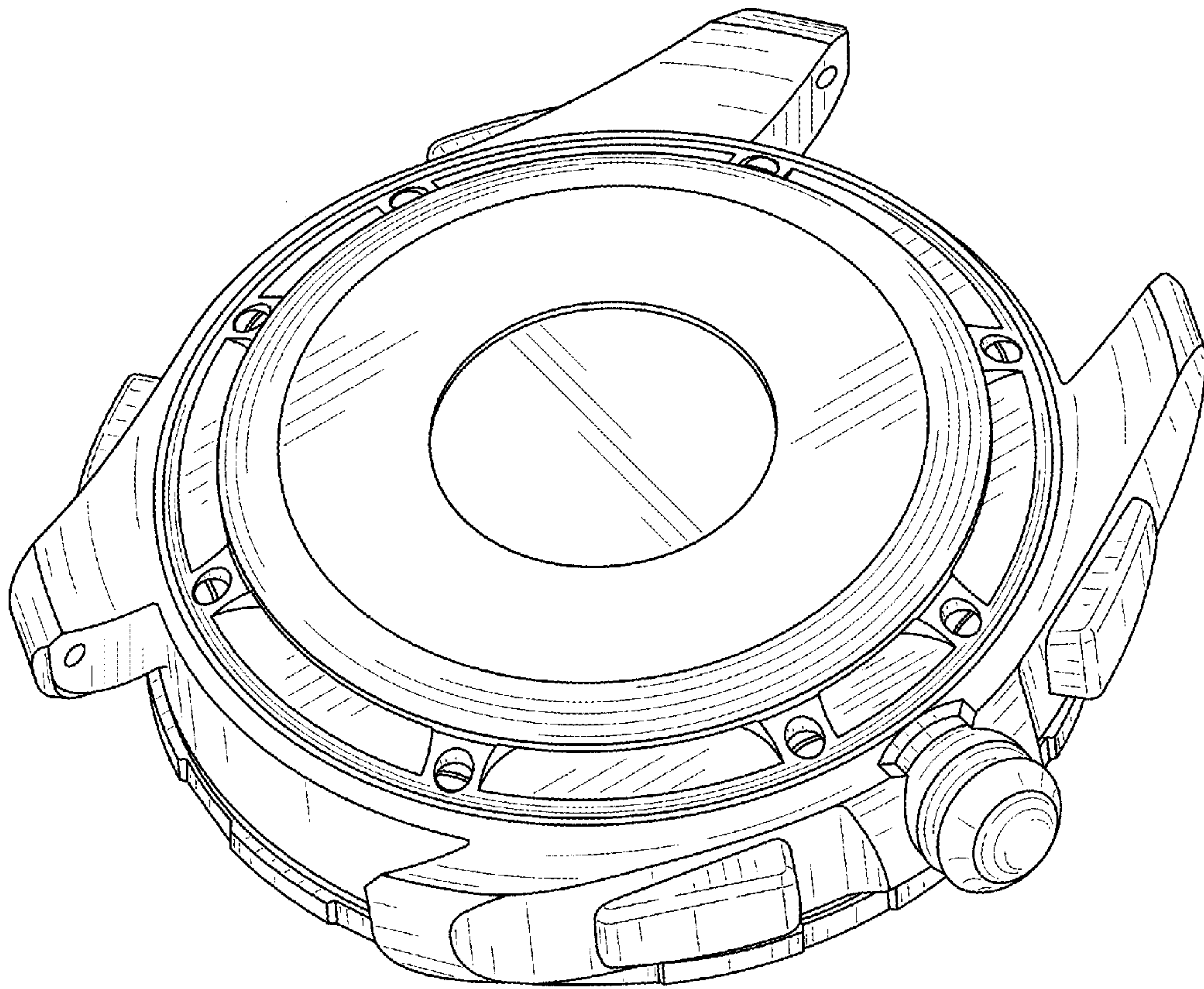


FIG. 2

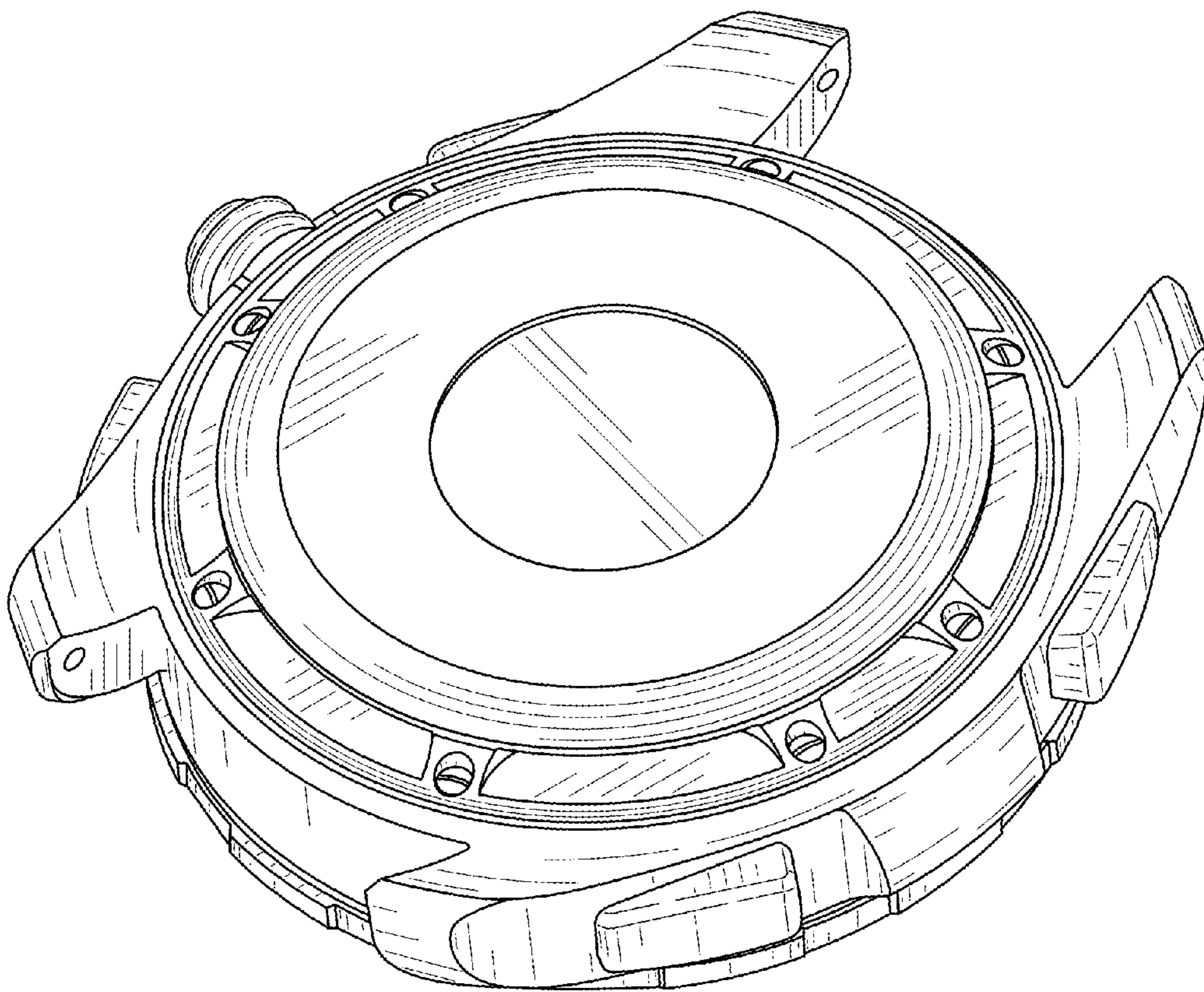


FIG. 3

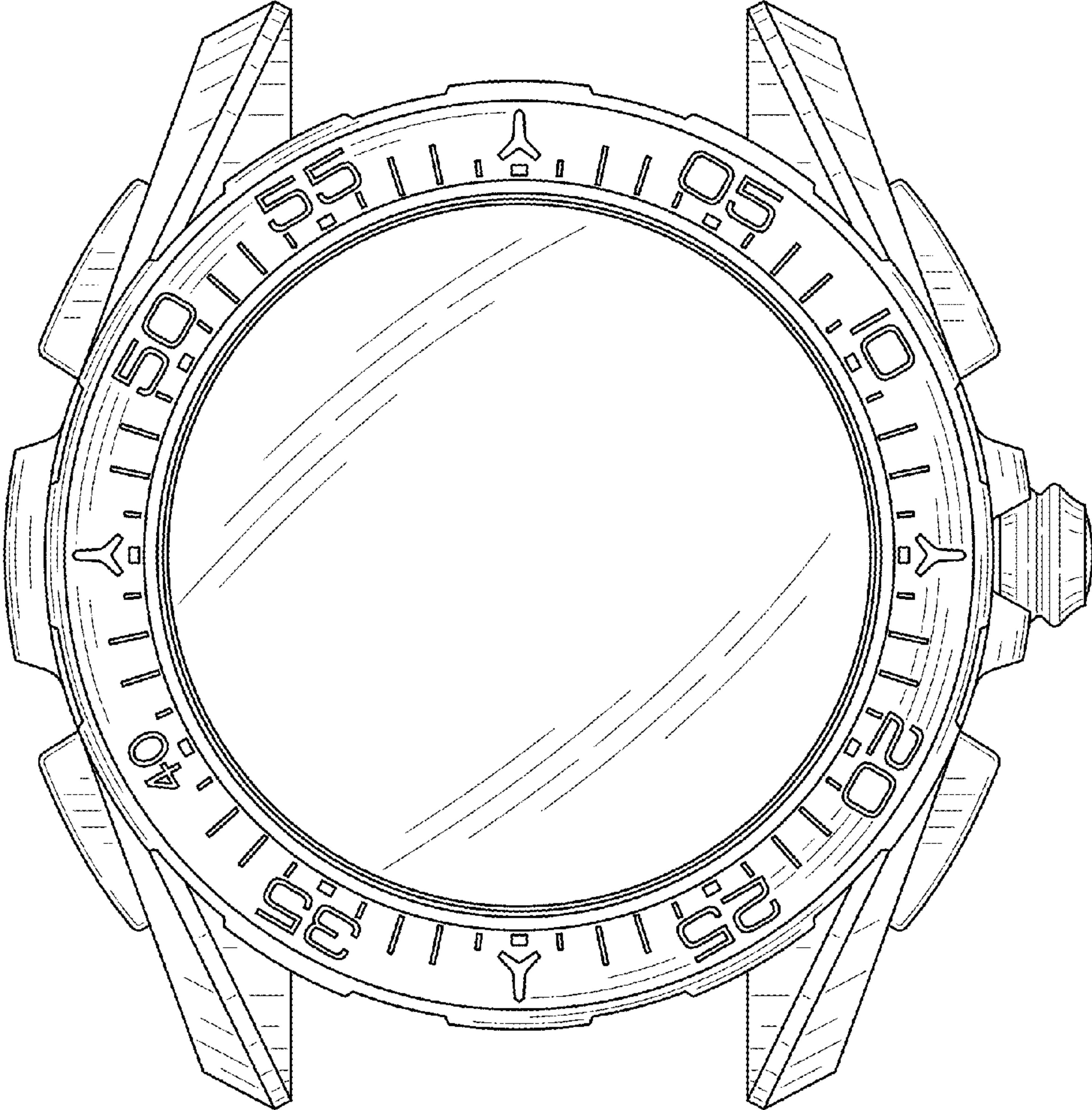


FIG. 4

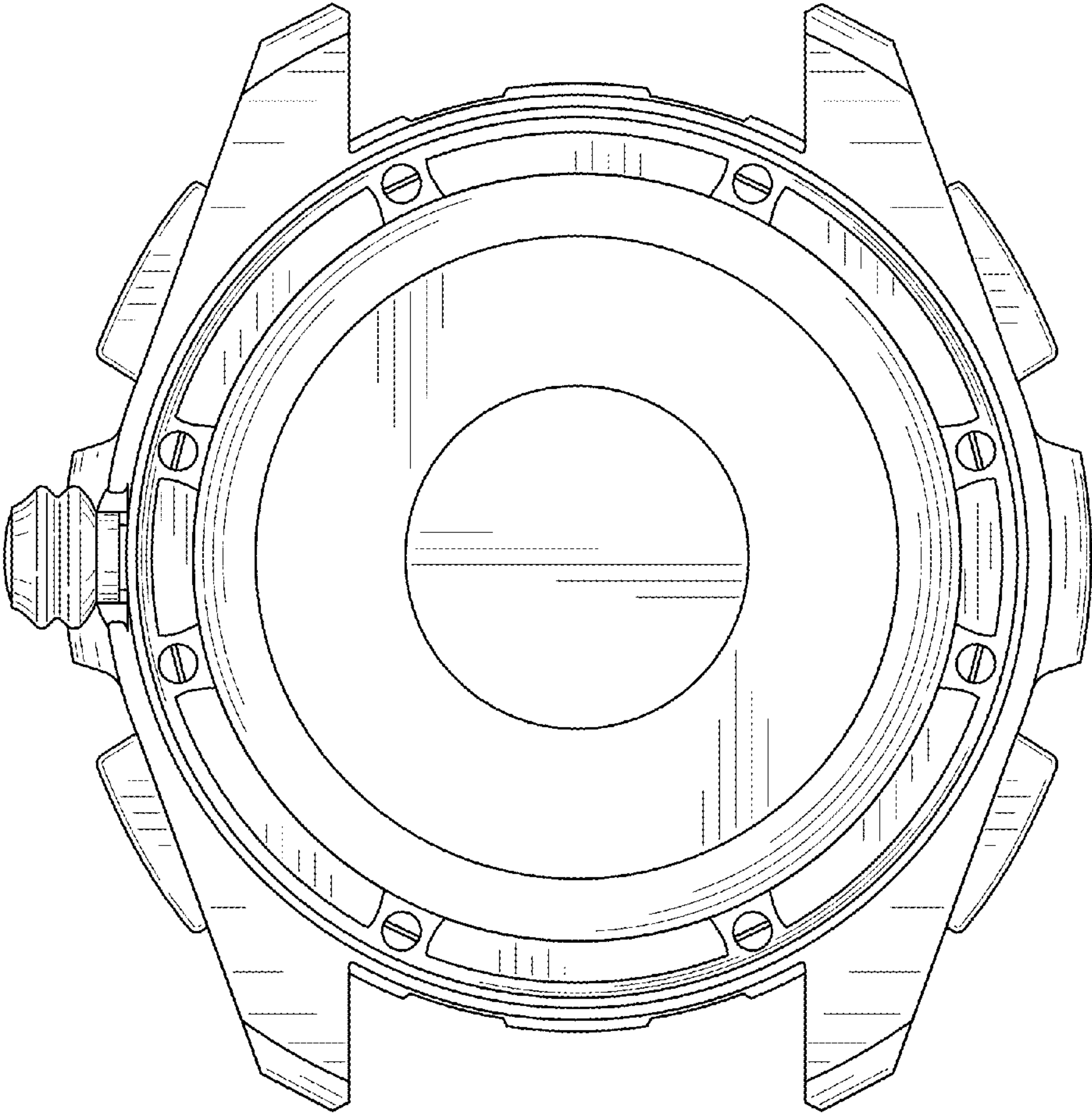


FIG. 5

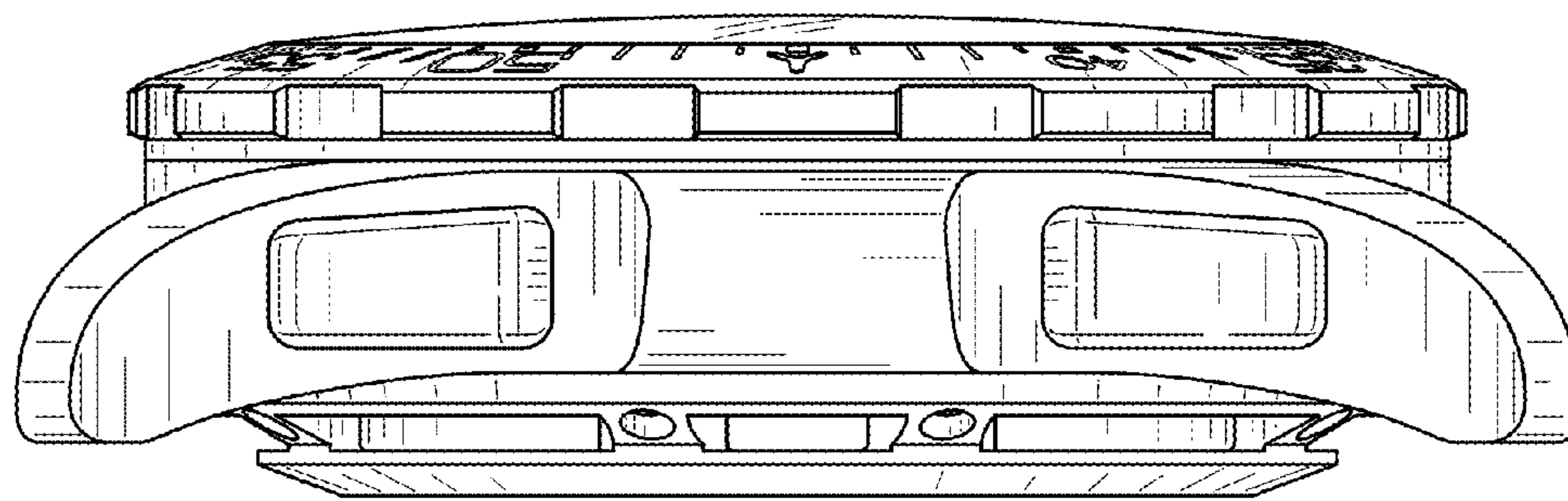


FIG. 6

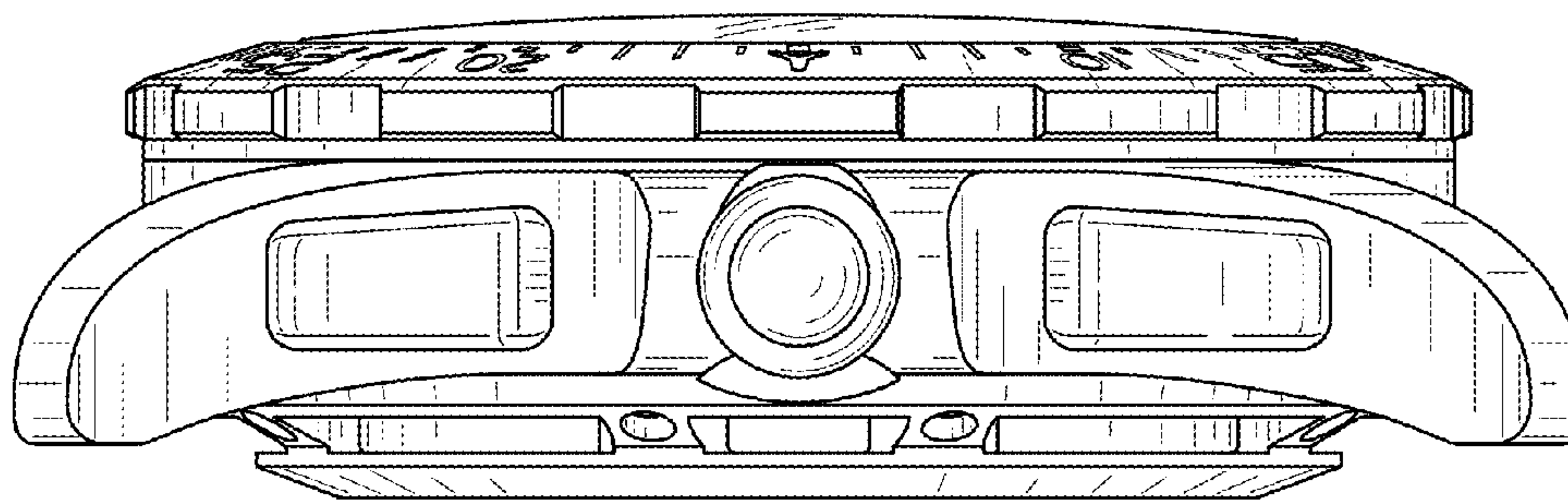


FIG. 7

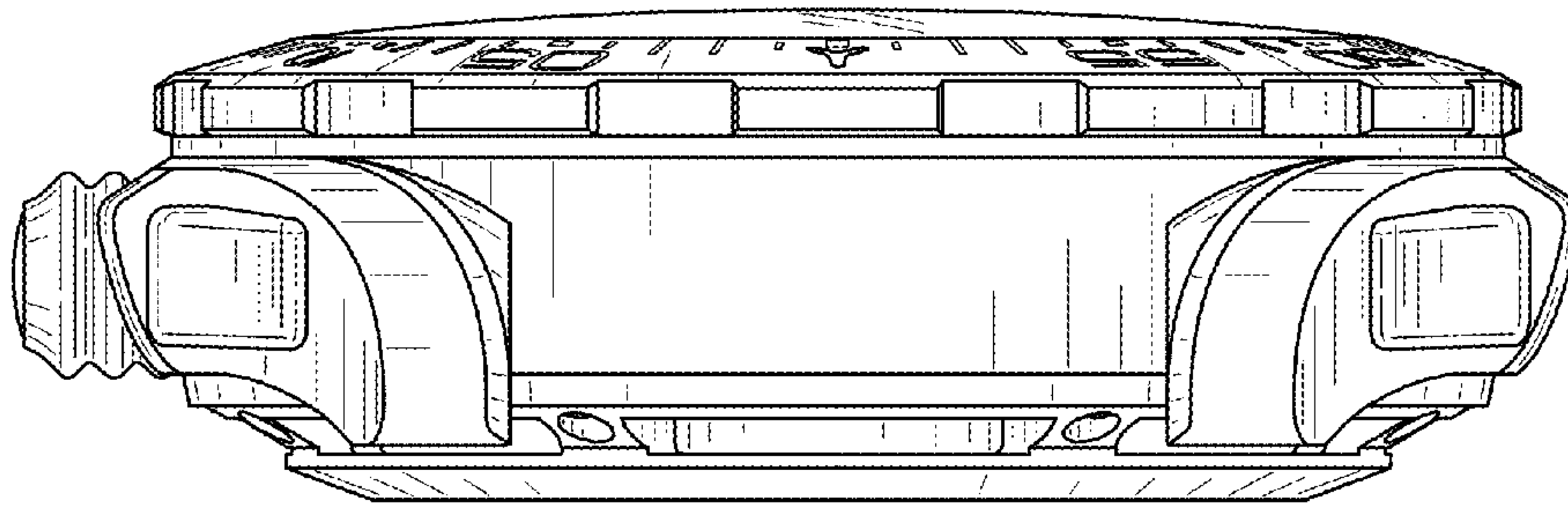


FIG. 8

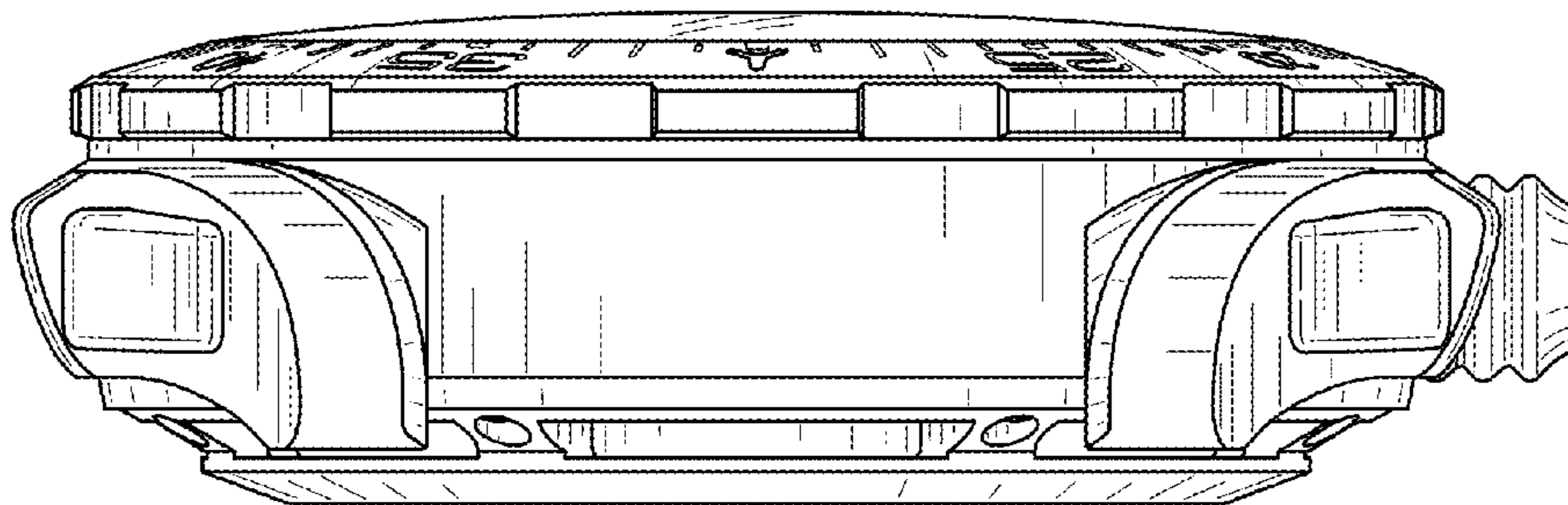


FIG. 9