



US00D732981S

(12) **United States Design Patent**
Waecker

(10) **Patent No.:** **US D732,981 S**

(45) **Date of Patent:** **** Jun. 30, 2015**

(54) **WATCH CASE**

(71) Applicant: **SWATCH AG (SWATCH SA)**
(SWATCH LTD), Biel/Bienne (CH)

(72) Inventor: **Raphael Waecker**, Sonvillier (CH)

(73) Assignee: **SWATCH AG (SWATCH SA)**
(SWATCH LTD), Biel/Bienne (CH)

(**) Term: **14 Years**

(21) Appl. No.: **29/462,809**

(22) Filed: **Aug. 8, 2013**

(30) **Foreign Application Priority Data**

Feb. 8, 2013 (WO) DM/080 165

(51) **LOC (10) Cl.** **10-02**

(52) **U.S. Cl.**
USPC **D10/38**

(58) **Field of Classification Search**
USPC D10/30-39, 128; 368/276, 281, 282,
368/294, 295
CPC .. G04B 37/0008; G04B 19/18; G04B 19/283;
G04B 19/286
See application file for complete search history.

(56) **References Cited**

U.S. PATENT DOCUMENTS

5,455,808 A * 10/1995 Grupp et al. 368/82
5,473,580 A * 12/1995 Gilomen et al. 368/28
D430,043 S * 8/2000 Schopfer D10/39
D447,427 S * 9/2001 Finazzi D10/39

6,356,512 B1 * 3/2002 Martin et al. 368/10
D473,475 S * 4/2003 Baumann D10/32
D476,905 S * 7/2003 El Kadiri D10/30
D476,906 S * 7/2003 Nussbaum D10/30
D477,234 S * 7/2003 El Kadiri D10/30
D477,235 S * 7/2003 El Kadiri D10/30
6,809,993 B1 * 10/2004 Muller et al. 368/242
D537,740 S * 3/2007 Grosjean D10/38
D541,675 S * 5/2007 Ruchonnet D10/38
D559,125 S * 1/2008 Figueiredo D10/38
D561,049 S * 2/2008 Figueiredo D10/38
D583,682 S * 12/2008 Blank D10/32
D636,685 S * 4/2011 Avranches D10/38
D693,243 S * 11/2013 Goyet D10/38
D700,072 S * 2/2014 Arellano D10/38
2014/0112112 A1 * 4/2014 Plankert et al. 368/276

* cited by examiner

Primary Examiner — Lucy Lieberman

(74) *Attorney, Agent, or Firm* — Donald J. Ranft; Kristen A. Mogavero; Collen IP

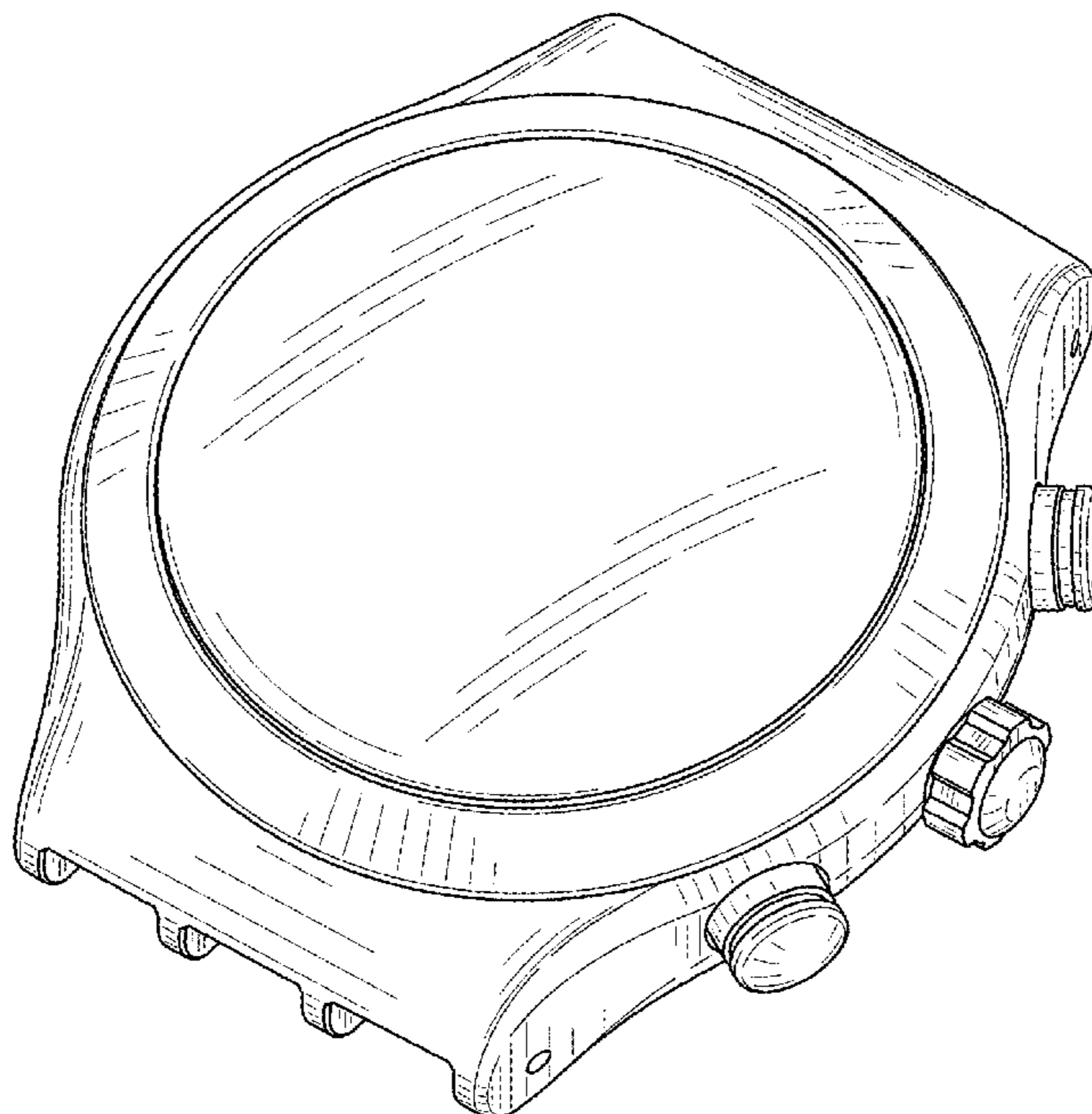
(57) **CLAIM**

The ornamental design for a watch case, as shown.

DESCRIPTION

FIG. 1 is a front, right side and bottom perspective view of a watch case showing my new design;
FIG. 2 is a front view thereof;
FIG. 3 is a rear view thereof;
FIG. 4 is a left side view thereof;
FIG. 5 is a right side view thereof;
FIG. 6 is a top view thereof;
FIG. 7 is a bottom view thereof; and,
FIG. 8 is a rear left bottom perspective view thereof.

1 Claim, 4 Drawing Sheets



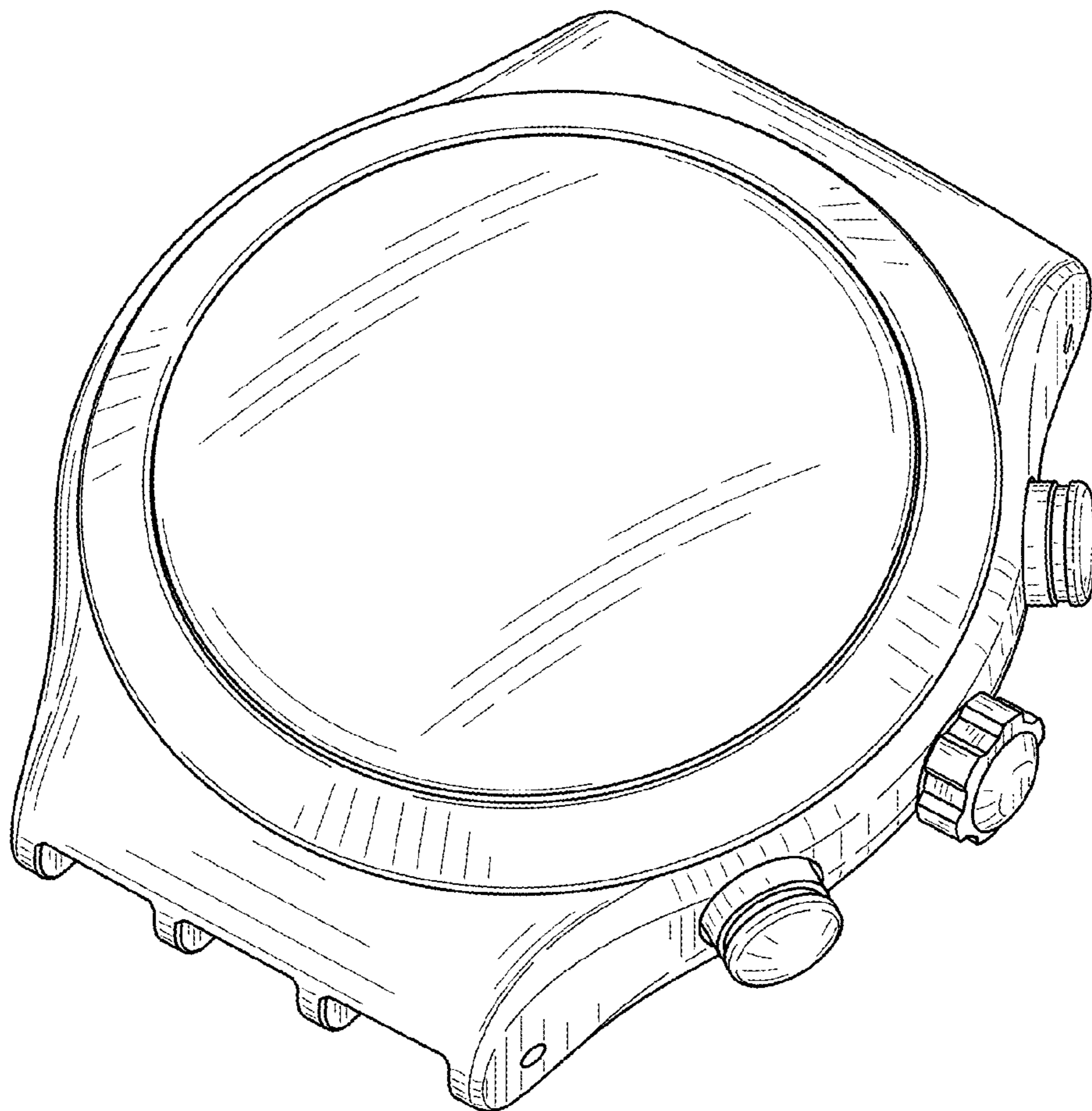


FIG. 1

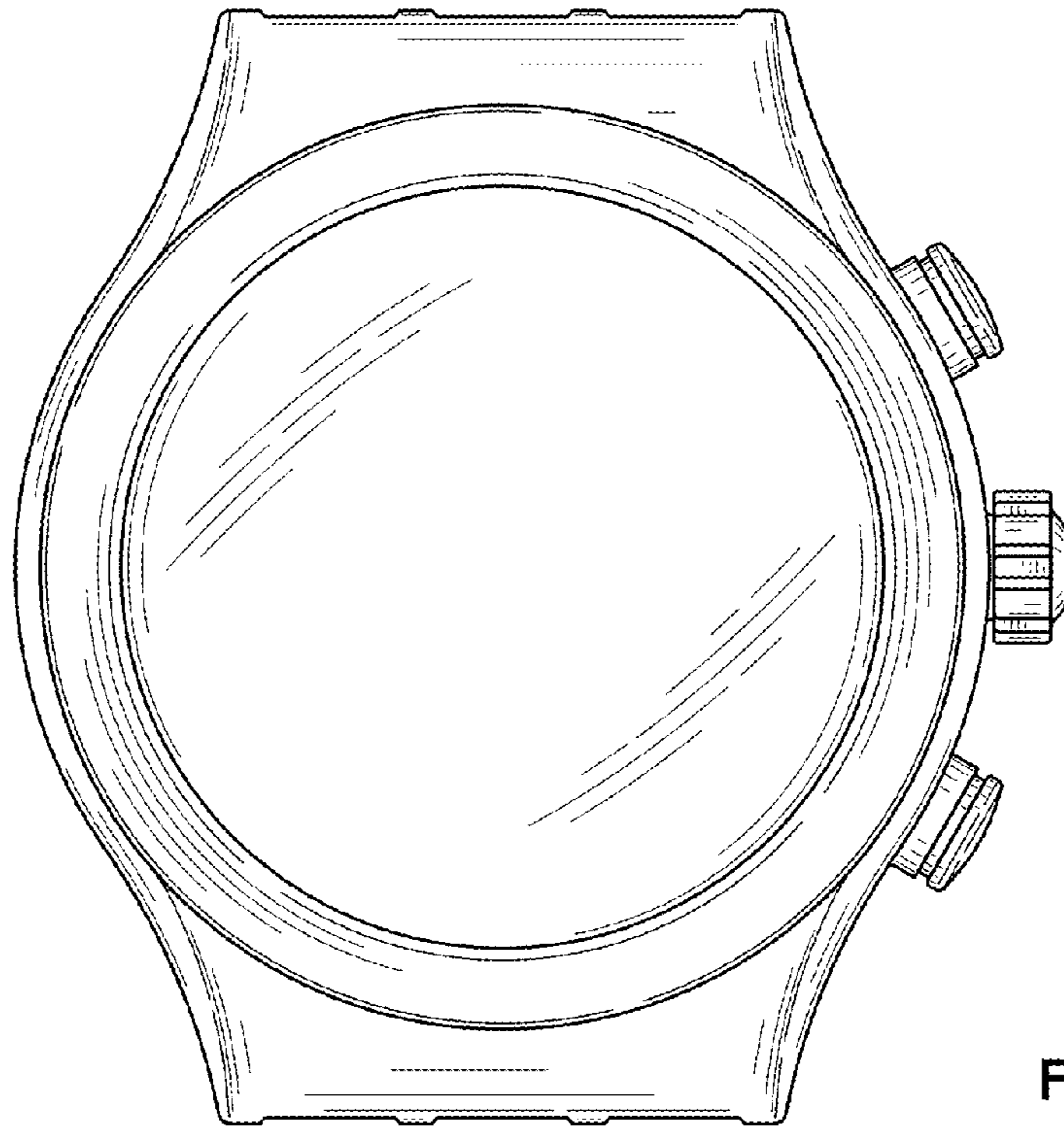


FIG. 2

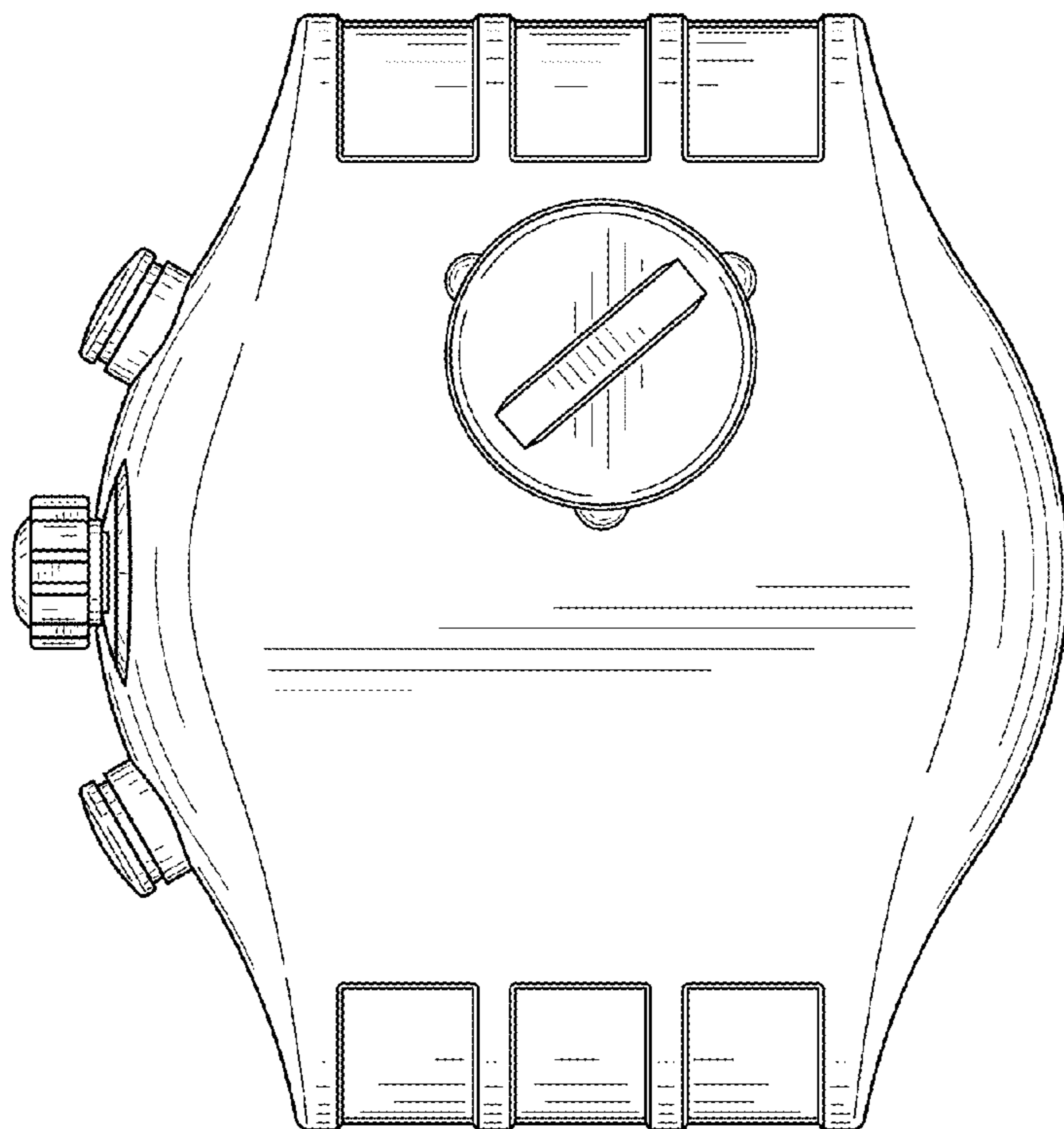


FIG. 3

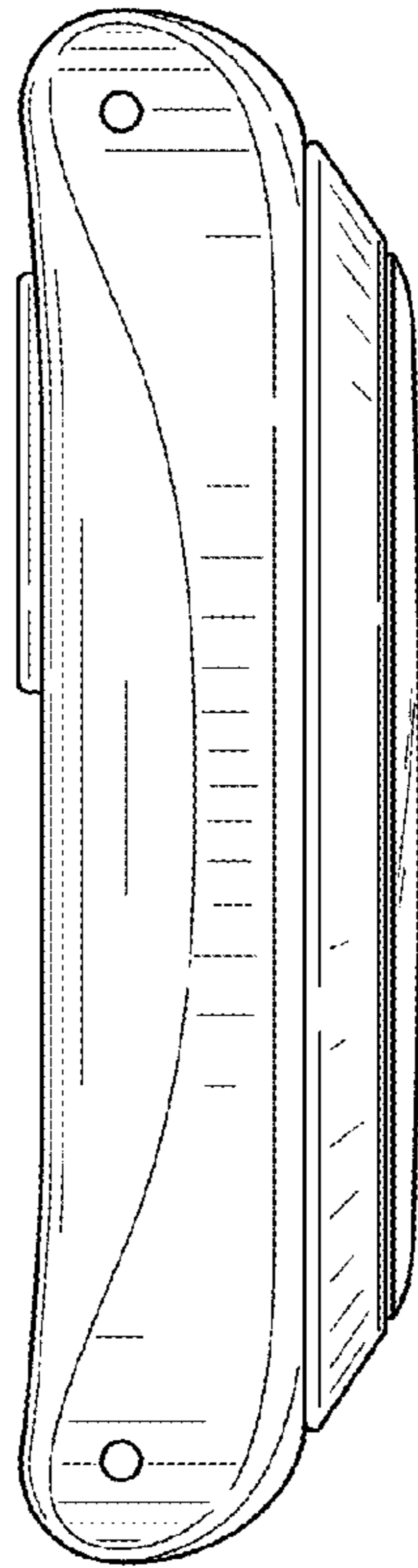


FIG. 4

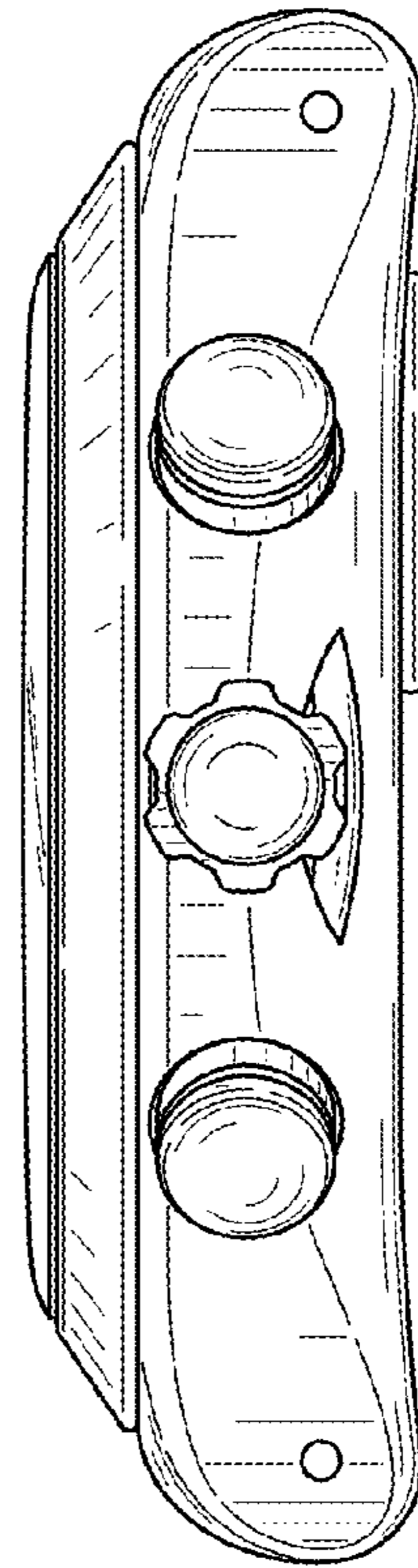


FIG. 5

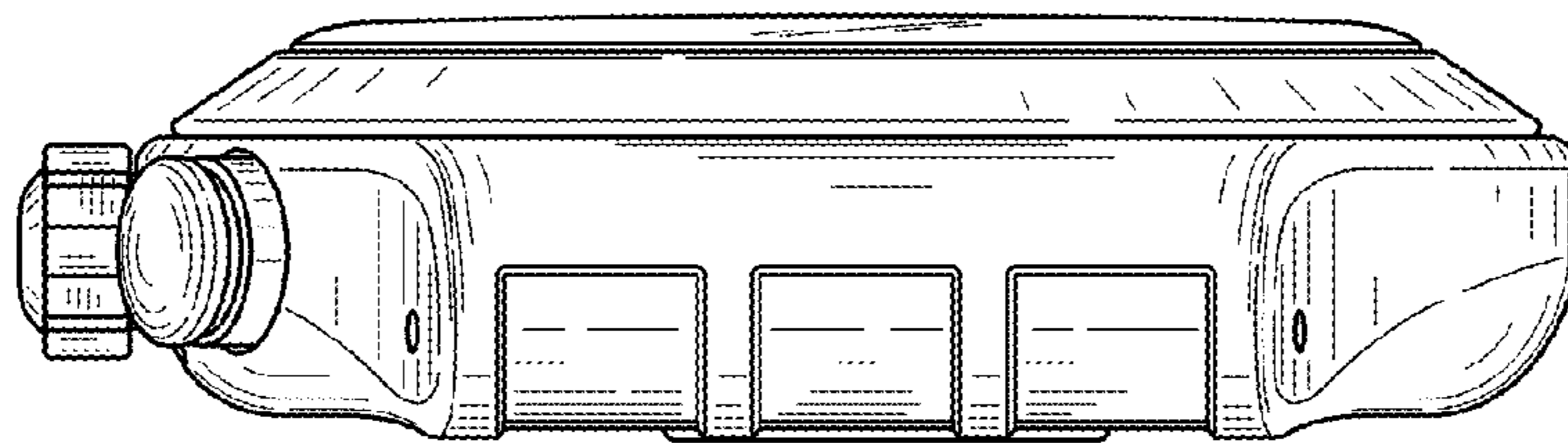


FIG. 6

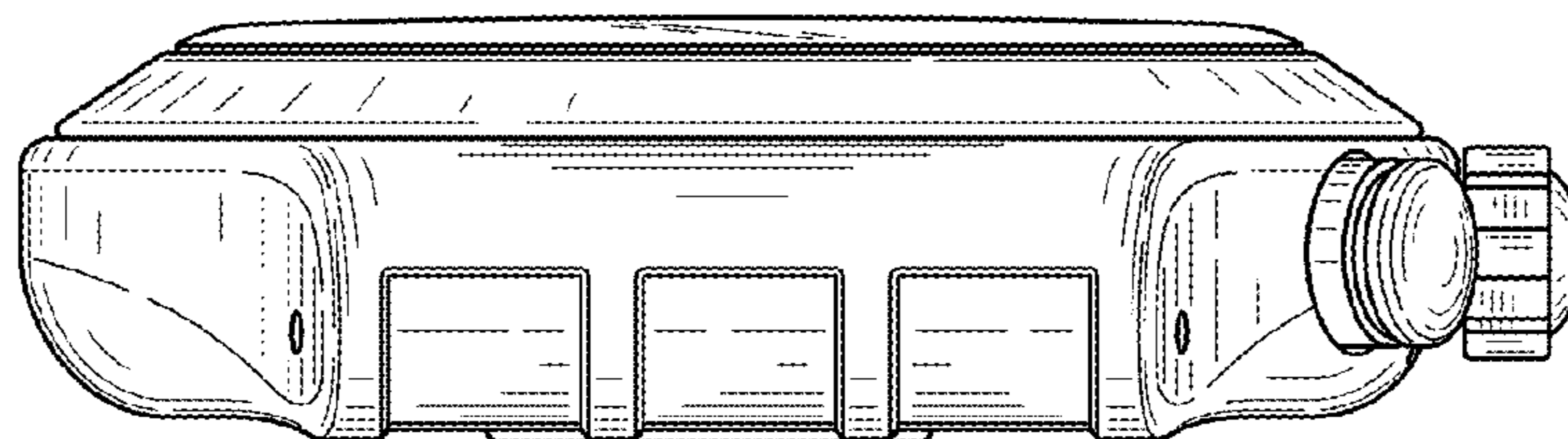


FIG. 7

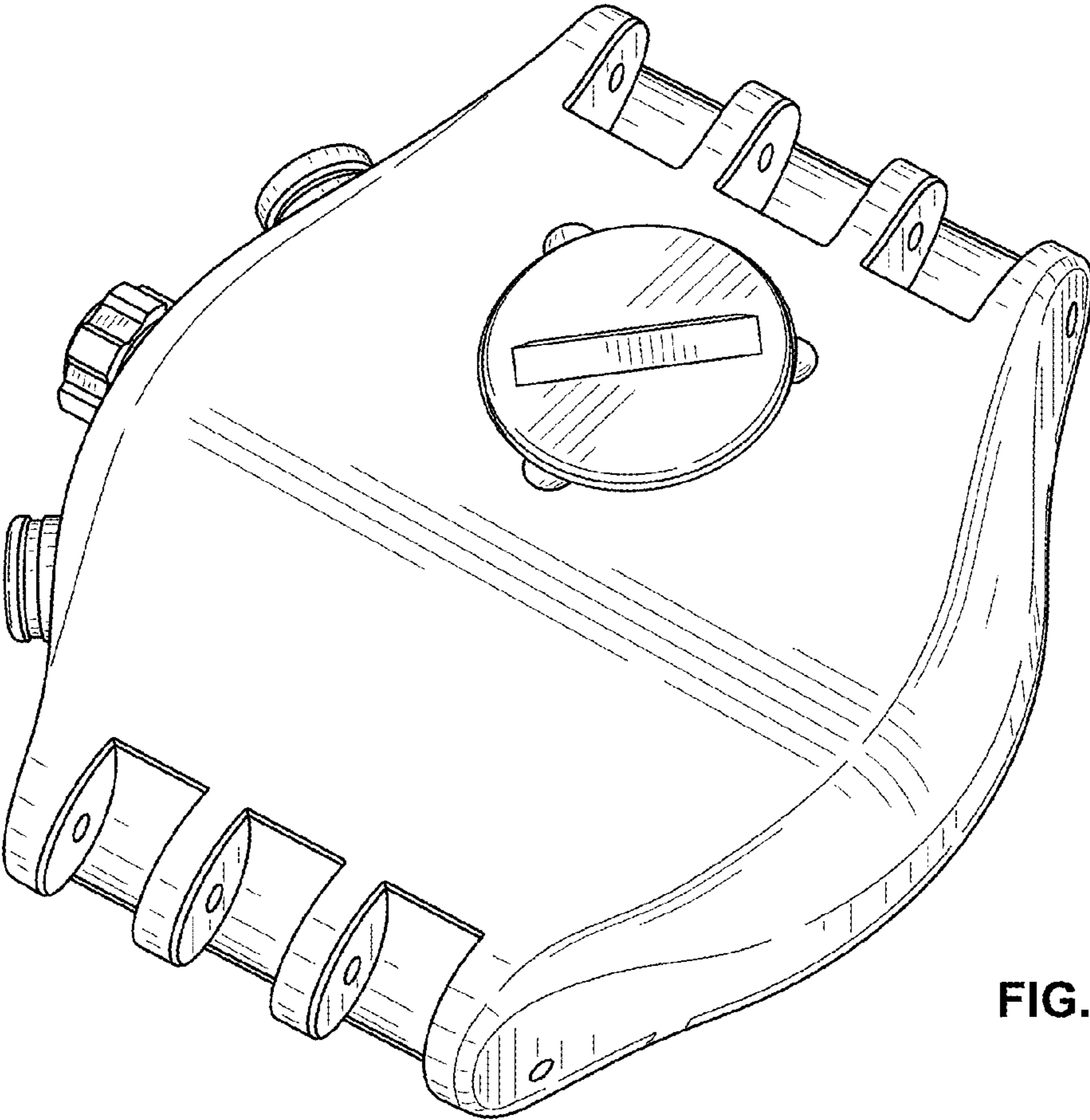


FIG. 8

UNITED STATES PATENT AND TRADEMARK OFFICE
CERTIFICATE OF CORRECTION

PATENT NO. : D732,981 S
APPLICATION NO. : 29/462809
DATED : June 30, 2015
INVENTOR(S) : Waecker

Page 1 of 6

It is certified that error appears in the above-identified patent and that said Letters Patent is hereby corrected as shown below:

Delete title page and substitute therefore with the attached title page consisting of the corrected illustrative figure.

Delete Drawing Sheets 1-4 and substitute therefore with the attached Drawing Sheets 1-4. Original FIGS. 1-8 have been deleted and original FIGS. 9-16 have been renumbered to FIGS. 1-8.

Signed and Sealed this
Third Day of November, 2015



Michelle K. Lee
Director of the United States Patent and Trademark Office

(12) **United States Design Patent** (10) **Patent No.:** **US D732,981 S**
Waecker (45) **Date of Patent:** **** Jun. 30, 2015**

(54) **WATCH CASE**
 (71) Applicant: **SWATCH AG (SWATCH SA)**
(SWATCH LTD), Biel/Bienne (CH)
 (72) Inventor: **Raphael Waecker**, Sonvillier (CH)
 (73) Assignee: **SWATCH AG (SWATCH SA)**
(SWATCH LTD), Biel/Bienne (CH)
 (**) Term: **14 Years**
 (21) Appl. No.: **29/462,809**
 (22) Filed: **Aug. 8, 2013**
 (30) **Foreign Application Priority Data**
 Feb. 8, 2013 (WO) DM/080 165
 (51) **LOC (10) Cl.** **10-02**
 (52) **U.S. Cl.**
 USPC **D10/38**
 (58) **Field of Classification Search**
 USPC D10/30 39, 128; 368/276, 281, 282,
 368/294, 295
 CPC .. G04B 37/0008; G04B 19/18; G04B 19/283;
 G04B 19/286
 See application file for complete search history.

(56) **References Cited**
 U.S. PATENT DOCUMENTS
 5,455,808 A * 10/1995 Grupp et al. 368/82
 5,473,580 A * 12/1995 Gilomen et al. 368/28
 D430,043 S * 8/2000 Schopfer D10/39
 D447,427 S * 9/2001 Finazzi D10/39

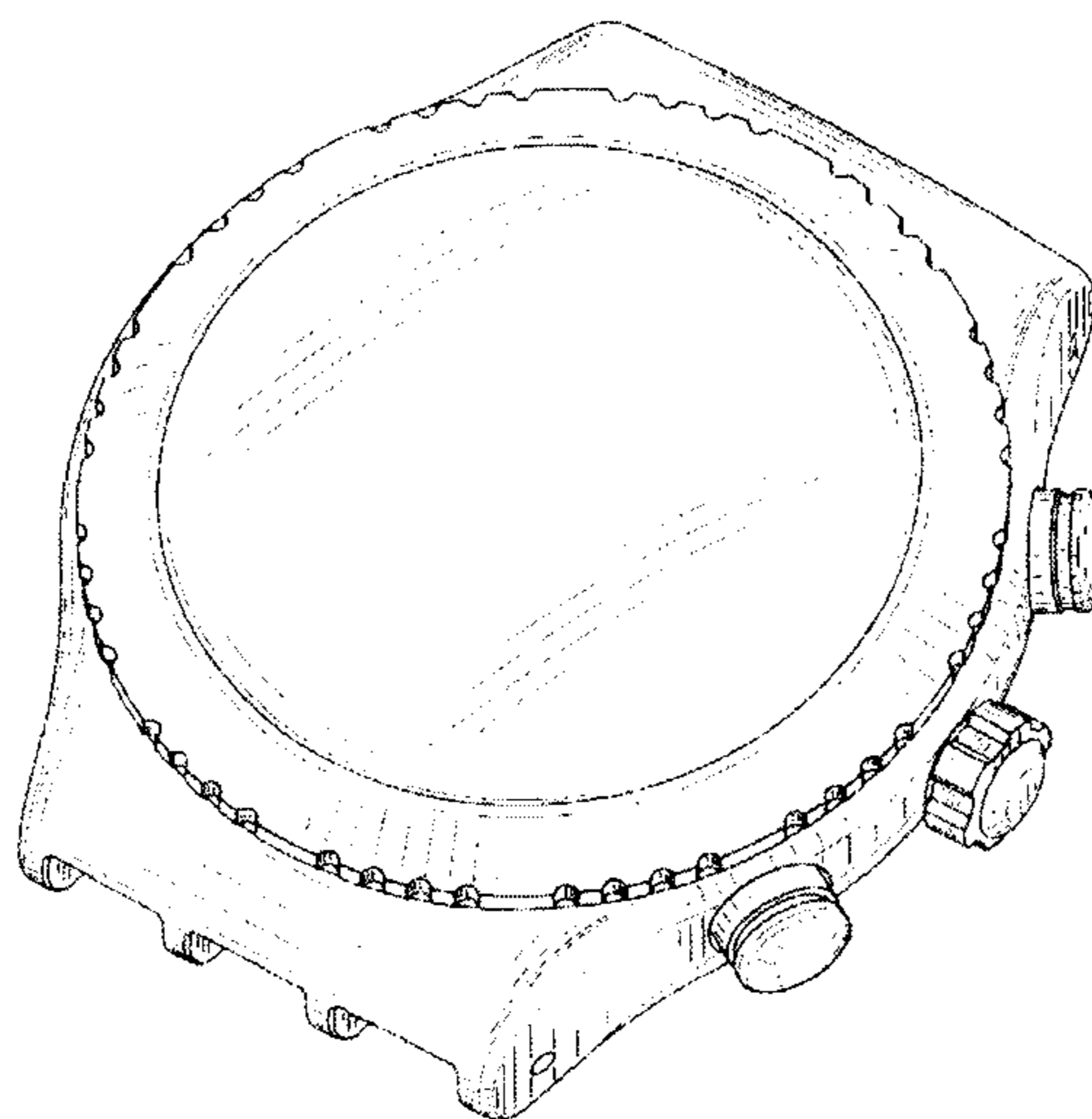
6,356,512 B1 * 3/2002 Martin et al. 368/10
 D473,475 S * 4/2003 Baumann D10/32
 D476,905 S * 7/2003 El Kadiri D10/30
 D476,906 S * 7/2003 Nussbaum D10/30
 D477,234 S * 7/2003 El Kadiri D10/30
 D477,235 S * 7/2003 El Kadiri D10/30
 6,809,993 B1 * 10/2004 Muller et al. 368/242
 D537,740 S * 3/2007 Grosjean D10/38
 D541,675 S * 5/2007 Ruchonnet D10/38
 D559,125 S * 1/2008 Figueiredo D10/38
 D561,049 S * 2/2008 Figueiredo D10/38
 D583,682 S * 12/2008 Blank D10/32
 D636,685 S * 4/2011 Avranches D10/38
 D693,243 S * 11/2013 Goyet D10/38
 D700,072 S * 2/2014 Arellano D10/38
 2014/0112112 A1 * 4/2014 Plankert et al. 368/276

* cited by examiner
 Primary Examiner: Lucy Lieberman
 (74) Attorney, Agent, or Firm: Donald J. Ranft; Kristen A. Mogavero; Colleen IP

(57) **CLAIM**
 The ornamental design for a watch case, as shown.

DESCRIPTION
 FIG. 1 is a front, right side and bottom perspective view of a watch case showing my new design;
 FIG. 2 is a front view thereof;
 FIG. 3 is a rear view thereof;
 FIG. 4 is a left side view thereof;
 FIG. 5 is a right side view thereof;
 FIG. 6 is a top view thereof;
 FIG. 7 is a bottom view thereof; and,
 FIG. 8 is a rear left bottom perspective view thereof.

1 Claim, 4 Drawing Sheets



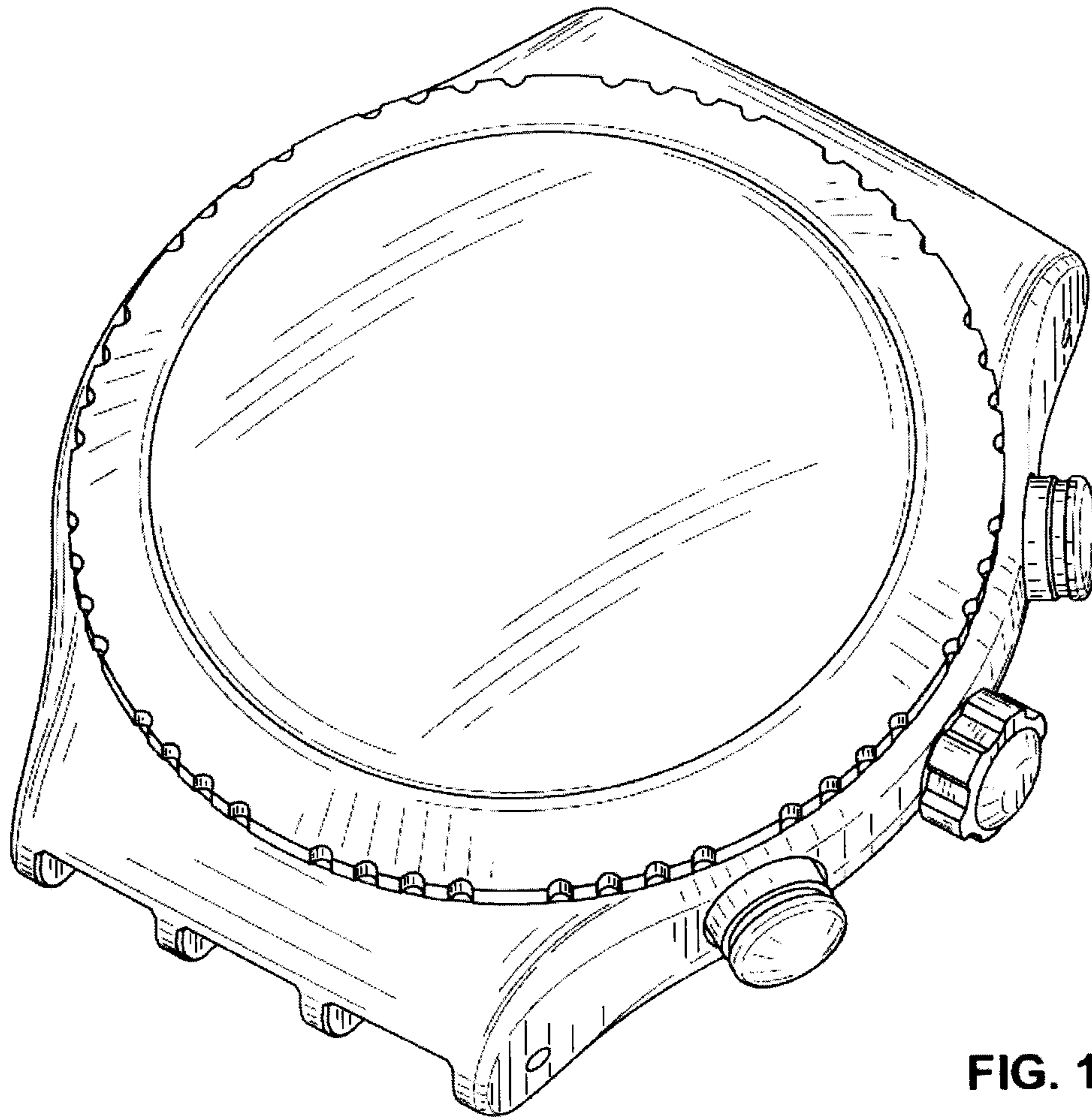


FIG. 1

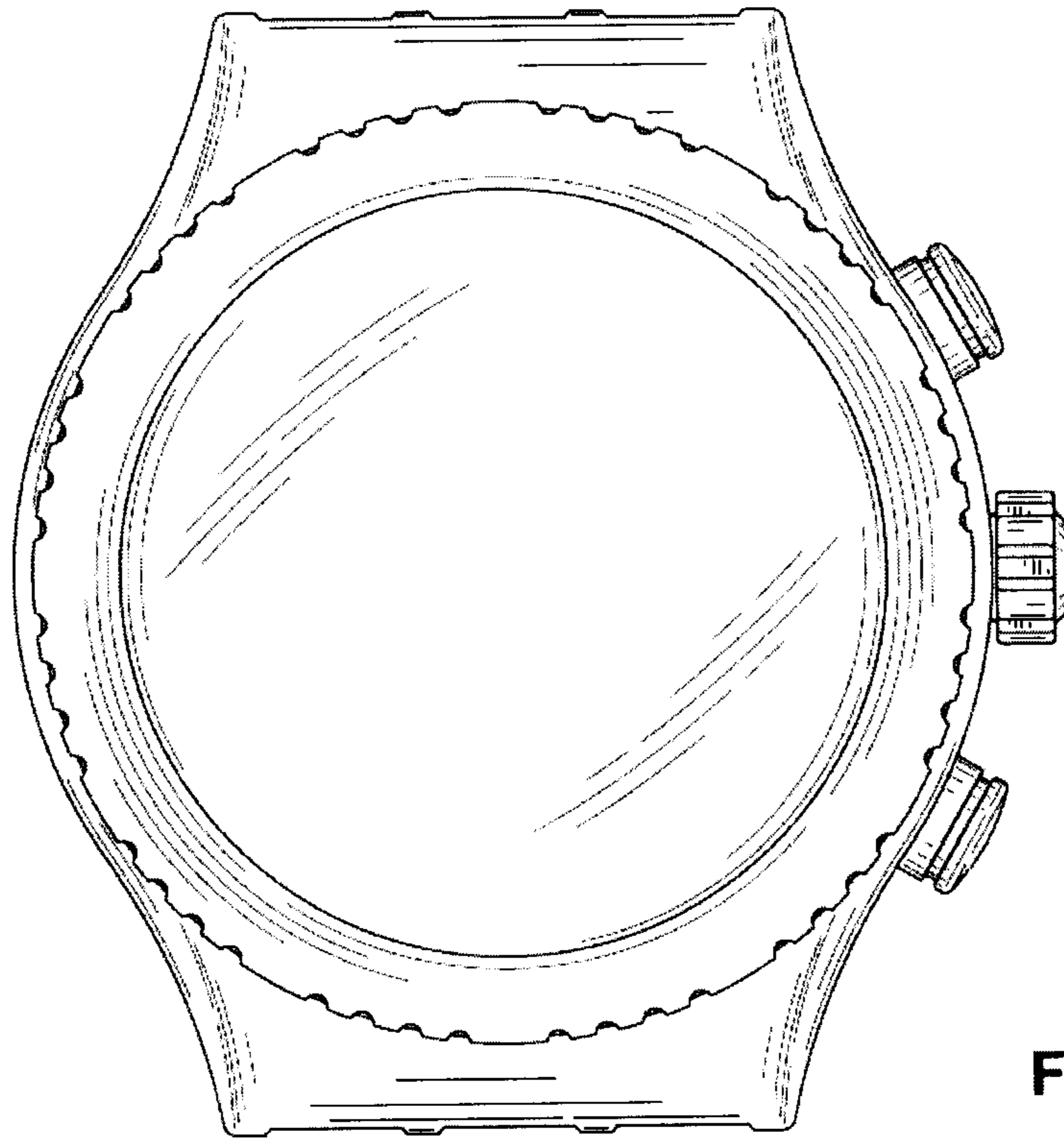


FIG. 2

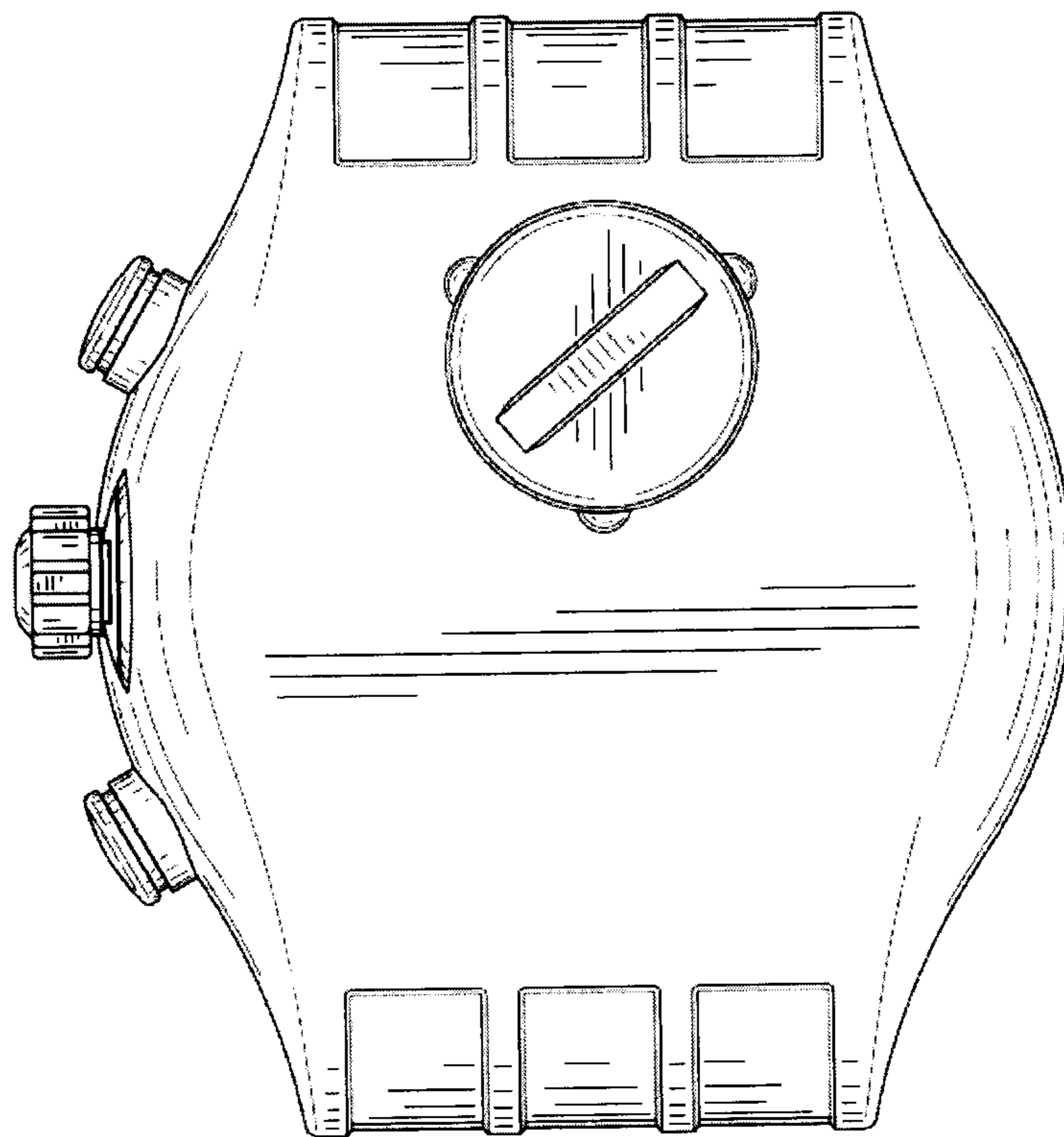


FIG. 3

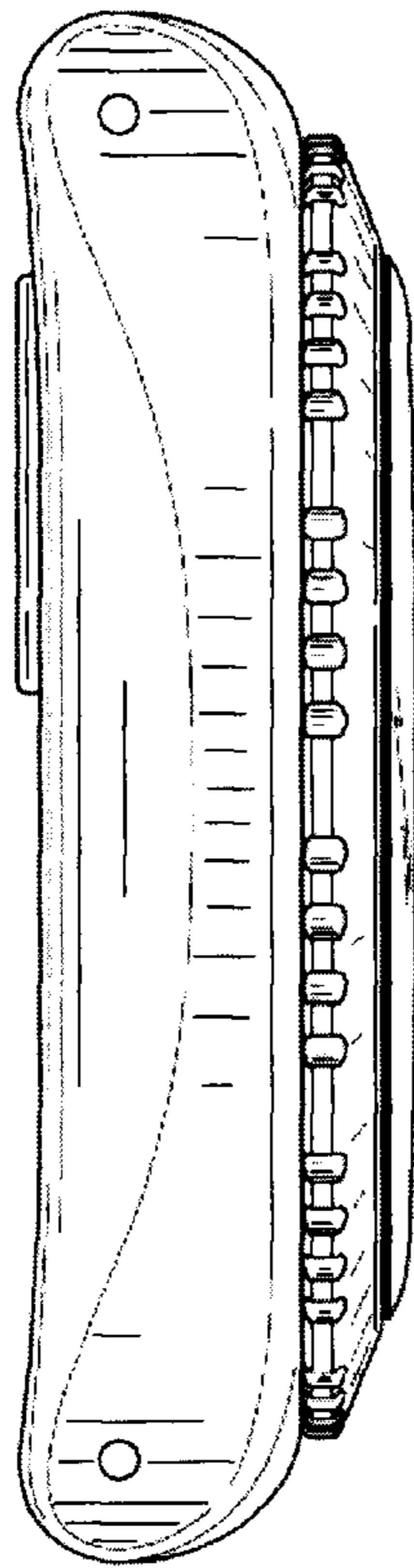


FIG. 4

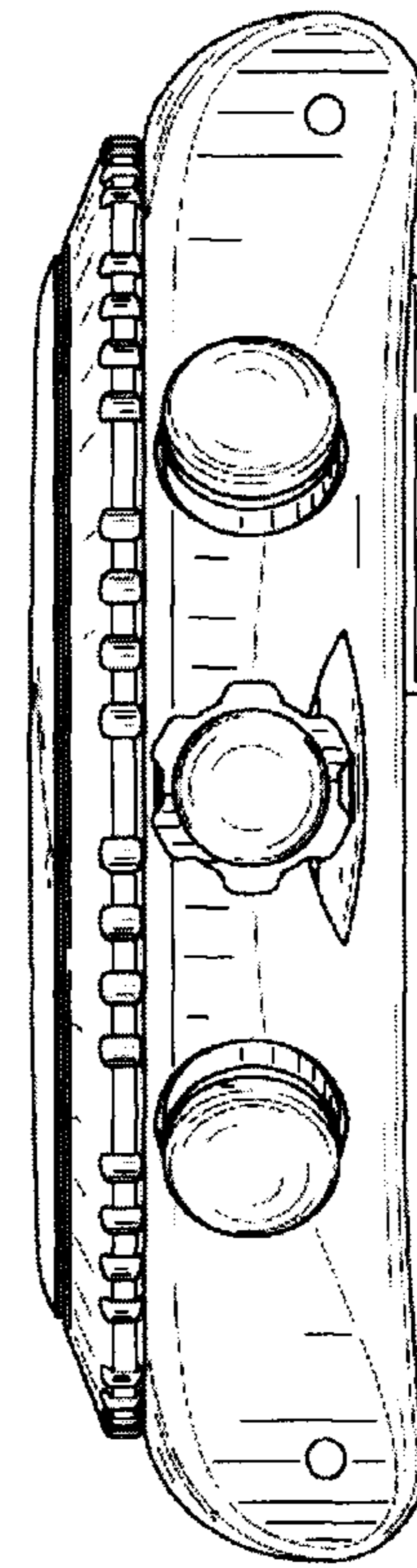


FIG. 5

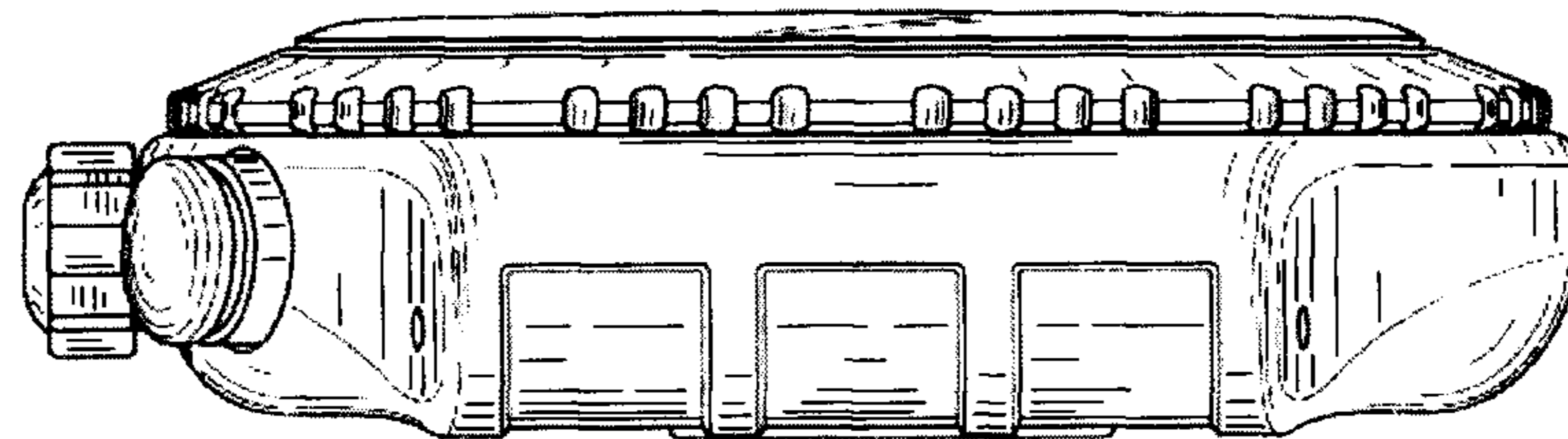


FIG. 6

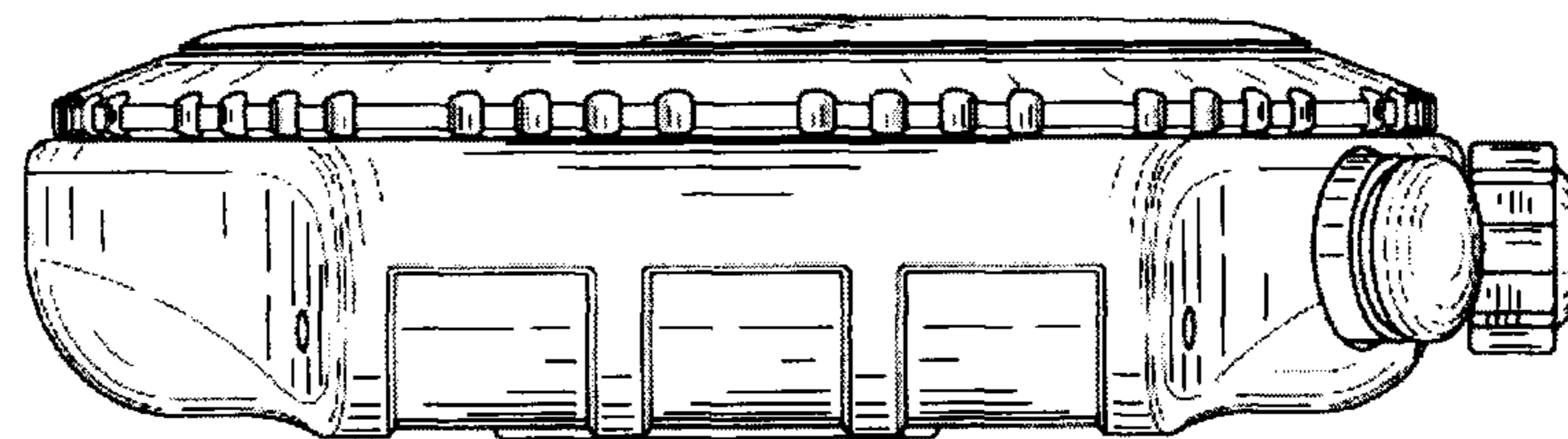


FIG. 7

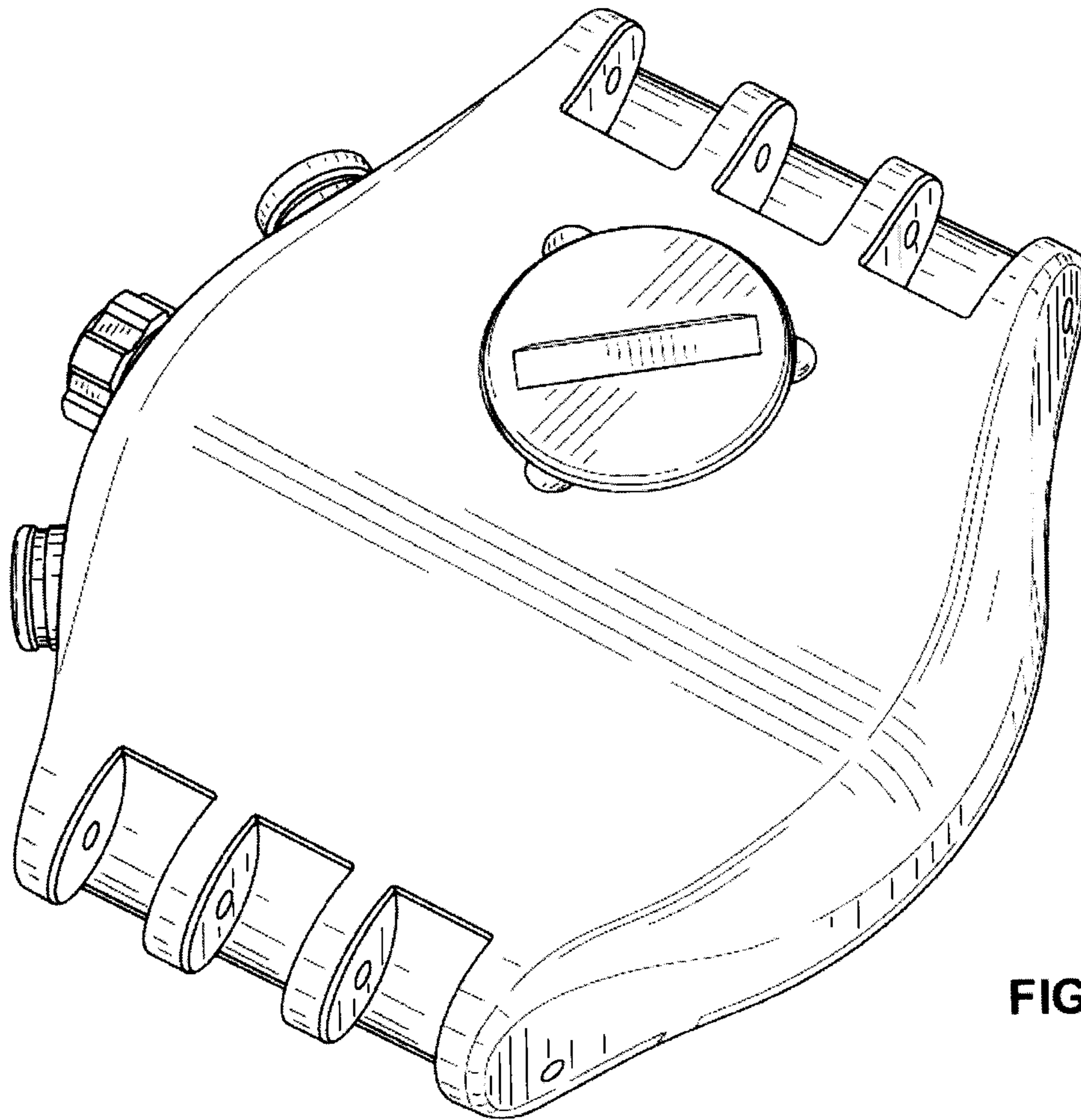


FIG. 8