



US00D732980S

(12) **United States Design Patent**
Indio da Costa et al.

(10) **Patent No.:** **US D732,980 S**
(45) **Date of Patent:** **** Jun. 30, 2015**

(54) **STREET CLOCK**
(71) Applicant: **Odebrecht Transport Participações**
S/A, São Paulo (BR)
(72) Inventors: **Luiz Eduardo Indio da Costa**, Rio de Janeiro (BR); **Luiz Augusto de Siqueira Índio da Costa**, Rio de Janeiro (BR); **Till Pupak**, Rio de Janeiro (BR); **Marcos Lima Nogueira Costa**, Rio de Janeiro (BR); **Luisa Martins Pessoa**, Rio de Janeiro (BR); **Nicholas Muller**, Niterói (BR)

(73) Assignee: **Odebrecht Transport Participações**
S/A, Sao Paulo, SP (BR)

(**) Term: **14 Years**

(21) Appl. No.: **29/440,043**

(22) Filed: **Dec. 18, 2012**

(30) **Foreign Application Priority Data**

Jun. 18, 2012 (BR) 302012003720

(51) **LOC (10) Cl.** **10-01**

(52) **U.S. Cl.**
USPC **D10/24; D10/26; D20/41**

(58) **Field of Classification Search**
USPC D10/1, 2-39, 113.4, 122-132; D20/10, D20/20, 39, 41; D14/307; 368/10; 40/606.15, 607.01, 607.03, 624
See application file for complete search history.

(56) **References Cited**

U.S. PATENT DOCUMENTS

2,909,963 A * 10/1959 Lane, Jr. 359/451
D188,306 S * 7/1960 Cothorn D20/41

D213,940 S * 4/1969 de Zinno D20/20
3,509,652 A * 5/1970 Kern 40/624
D218,670 S * 9/1970 Brentrup D20/41
D269,532 S * 6/1983 Amar D20/20
D304,960 S * 12/1989 Denton D20/20
D355,676 S * 2/1995 Wilson D20/10
D471,113 S * 3/2003 Merk et al. D10/2
D479,659 S * 9/2003 Fleckenstein et al. D6/470
D483,074 S * 12/2003 Strunk et al. D20/41
D501,228 S * 1/2005 Santana et al. D20/41
D501,889 S * 2/2005 Harris et al. D20/39
D501,891 S * 2/2005 Kaplan et al. D20/41
D550,524 S * 9/2007 Kincaid D8/1
D587,317 S * 2/2009 King et al. D20/41
D598,054 S * 8/2009 Grimshaw D20/41
D608,775 S * 1/2010 Leung D14/307
D631,097 S * 1/2011 Giugiaro D20/41
D639,088 S * 6/2011 Rodgers et al. D6/449
D662,992 S * 7/2012 Hernandez D20/41
2008/0078112 A1 * 4/2008 Basha 40/606.15

* cited by examiner

Primary Examiner — Martie K Holtje

(74) *Attorney, Agent, or Firm* — Sughrue Mion, PLLC

(57) **CLAIM**

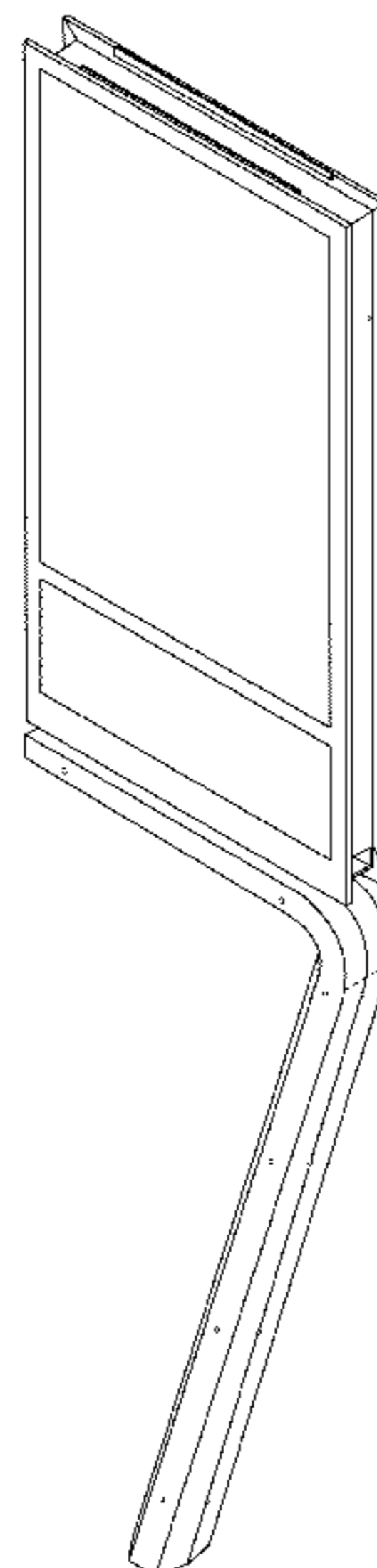
The ornamental design for a street clock, as shown and described.

DESCRIPTION

FIG. 1 is a perspective view, front view and facing to the right side, of a street clock showing our new design;
FIG. 2 is a front view;
FIG. 3 is a rear view;
FIG. 4 is a top view;
FIG. 5 is a bottom view;
FIG. 6 is a right side view; and,
FIG. 7 is a left side view.

The structural features depicted by broken lines in the drawings have been shown for the purpose of illustration portions of the street clock that form no part of the claimed design.

1 Claim, 5 Drawing Sheets



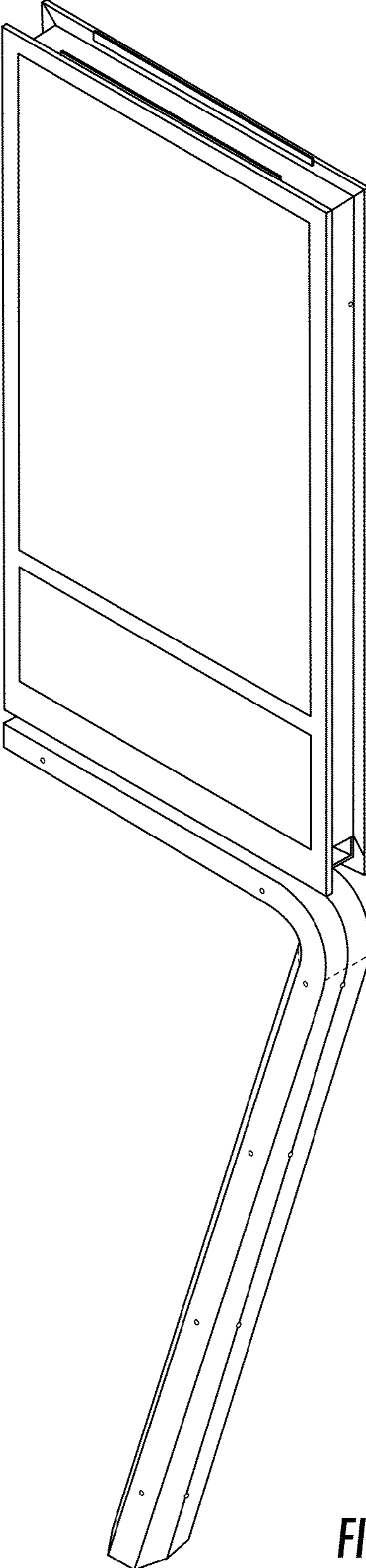


FIG. 1

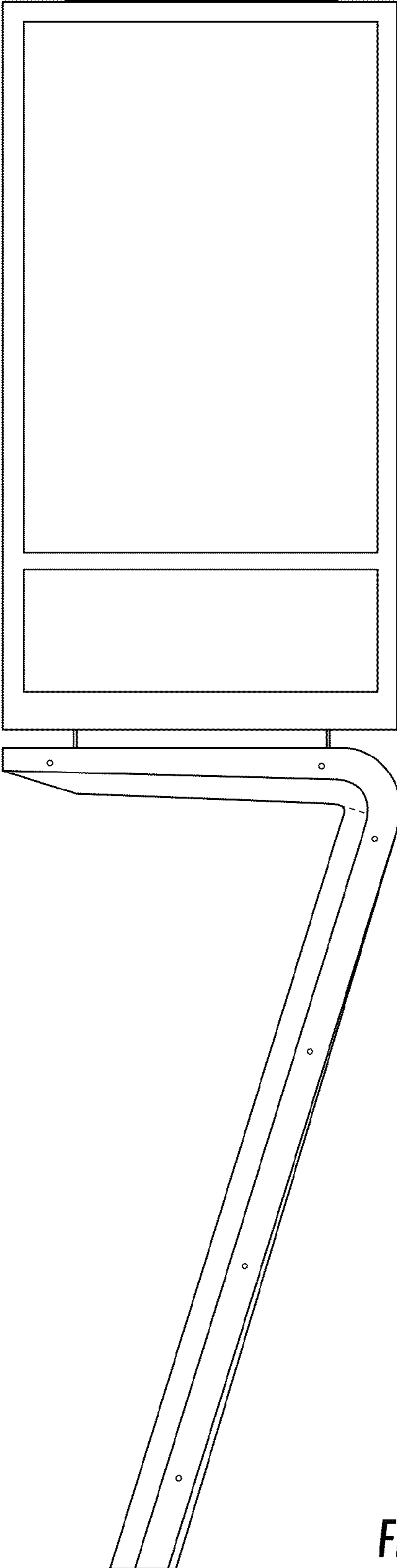


FIG. 2

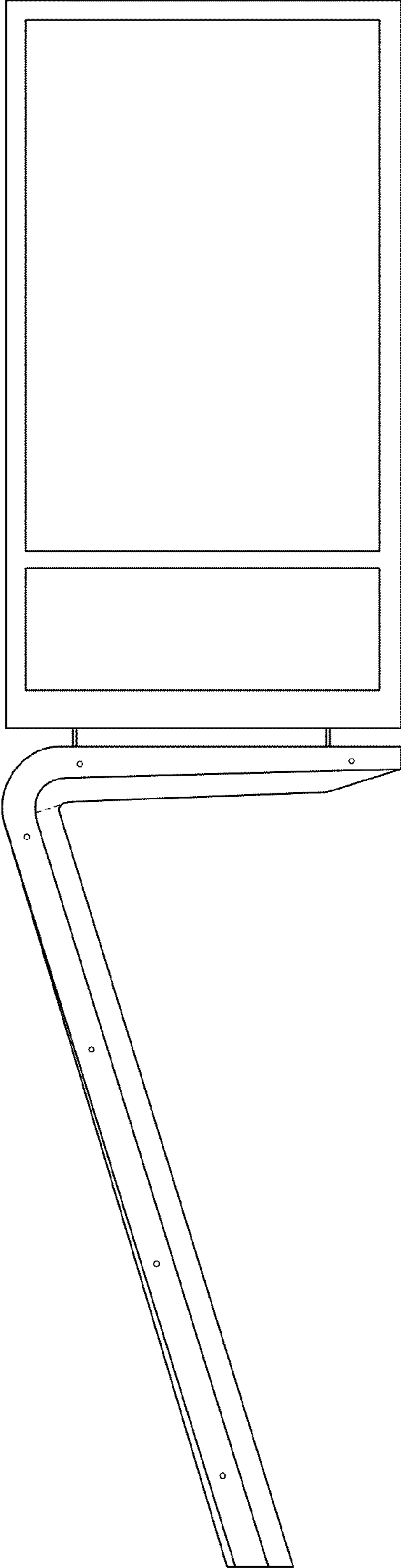


FIG. 3

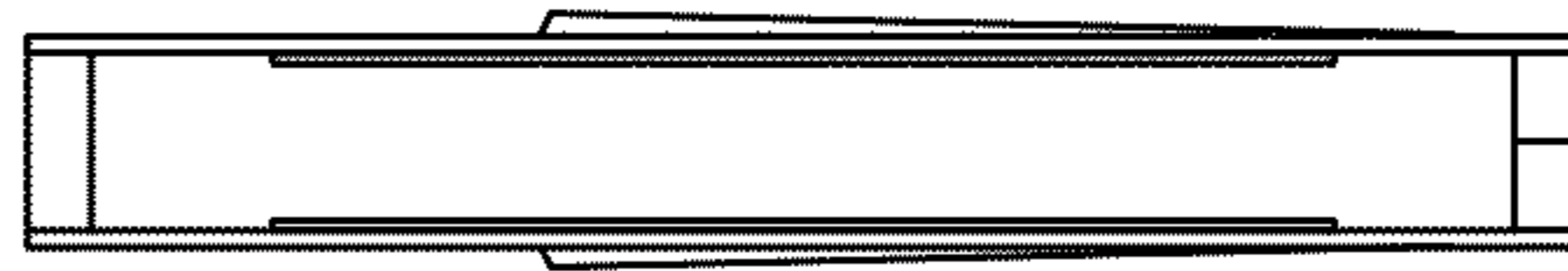


FIG. 4

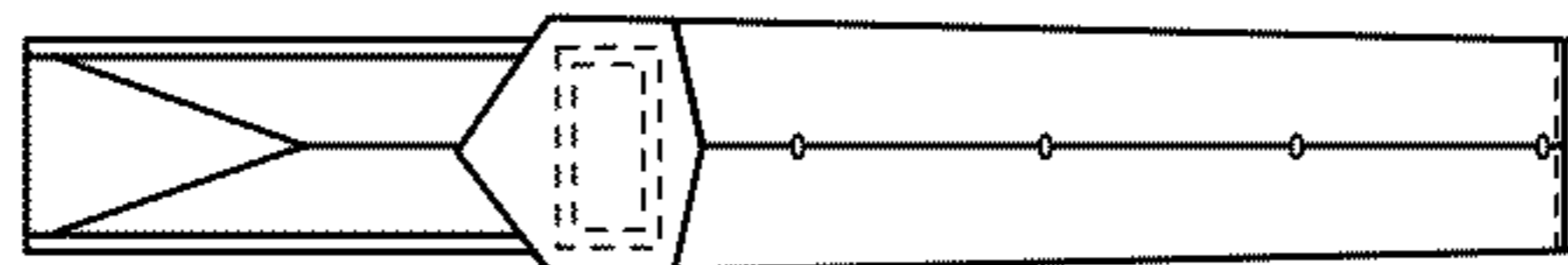


FIG. 5

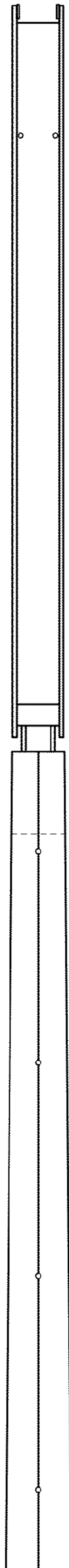


FIG. 6

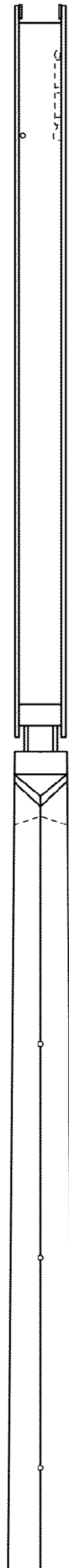


FIG. 7