



US00D732979S

(12) **United States Design Patent**  
**Sesona**

(10) **Patent No.:** **US D732,979 S**  
(45) **Date of Patent:** **\*\* Jun. 30, 2015**

(54) **STAND-UP CLOCK**

(71) Applicant: **Hong Kong Electro-Chemical Works, Ltd., Kwai Chung (HK)**

(72) Inventor: **Albert J. Sesona, St. Augustine, FL (US)**

(73) Assignee: **Hong Kong Electro-Chemical Works, Ltd., Hong Kong (HK)**

(\*\*) Term: **14 Years**

(21) Appl. No.: **29/462,399**

(22) Filed: **Aug. 2, 2013**

(51) **LOC (10) Cl.** ..... **10-01**

(52) **U.S. Cl.**  
USPC ..... **D10/22**

(58) **Field of Classification Search**  
USPC ..... D10/1–29, 30–39, 122–132; D6/309, D6/310, 313; D19/64; D7/584  
CPC ..... G04B 19/00; G04B 19/04; G04B 19/042; G04B 19/10; G04B 19/12; G04B 19/20; G04B 19/28; G04B 37/0066; G04C 17/005; G04C 17/0075  
See application file for complete search history.

(56) **References Cited**

**U.S. PATENT DOCUMENTS**

D27,108 S *	5/1897	Kraft et al.	.....	D6/313
651,215 A *	6/1900	Timberlake	.....	248/128
806,321 A *	12/1905	Clark	.....	248/490
2,035,670 A *	3/1936	Rubenstein	.....	248/453
D103,791 S *	3/1937	Rusch	.....	D10/23
D118,443 S *	1/1940	Fisk et al.	.....	D6/313

D193,198 S *	7/1962	Cumbus	.....	D10/22
3,277,656 A *	10/1966	Bill et al.	.....	62/63
D208,061 S *	7/1967	Laylon	.....	D10/7
D224,748 S *	9/1972	Daher	.....	D10/22
D224,750 S *	9/1972	Daher	.....	D10/22
D226,529 S *	3/1973	Daher	.....	D10/22
D227,137 S *	6/1973	Dolby	.....	D7/584
D232,304 S *	8/1974	Wallach	.....	D10/22
4,275,518 A *	6/1981	Martin	.....	40/324
D276,961 S *	1/1985	Kemper	.....	D6/466
D301,552 S *	6/1989	Weiss	.....	D10/22
D372,430 S *	8/1996	Patatanyan	.....	D10/24
5,985,379 A *	11/1999	Longsdorf et al.	.....	428/13

\* cited by examiner

*Primary Examiner* — Martie K Holtje

(74) *Attorney, Agent, or Firm* — Andrew G. Yeager

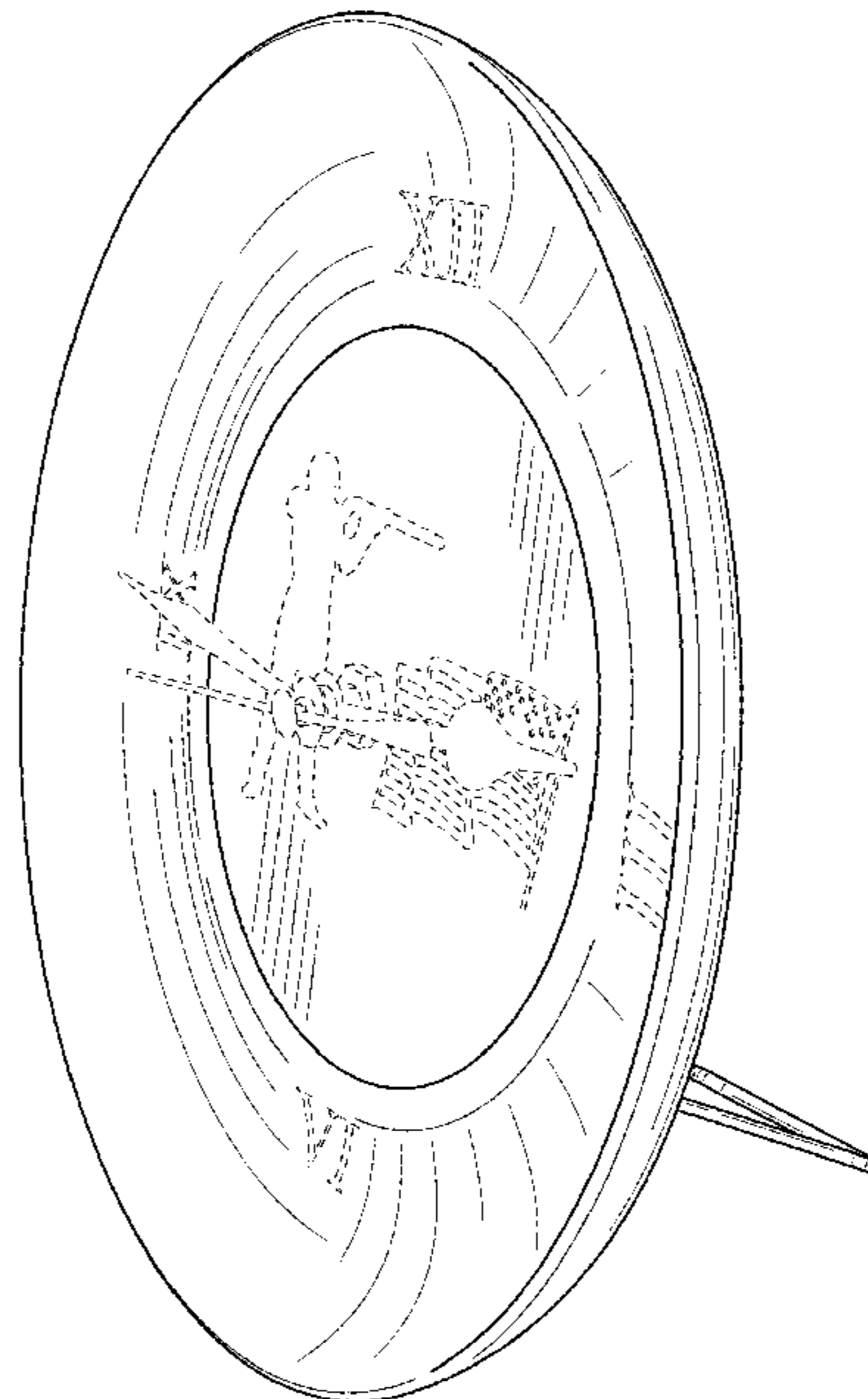
(57) **CLAIM**

The ornamental design for a stand-up clock, as shown and described.

**DESCRIPTION**

FIG. 1 is a front perspective view of a stand-up clock showing my new design;  
FIG. 2 is a front elevational view thereof;  
FIG. 3 is a rear elevational view thereof;  
FIG. 4 is a right side elevational view thereof;  
FIG. 5 is a left side elevational view thereof;  
FIG. 6 is a top plan view thereof; and,  
FIG. 7 is a bottom plan view thereof.  
The structural features and indicia depicted by broken lines in the drawings have been shown for the purpose of illustrating portions of the stand-up clock that form no part of the claimed design.

**1 Claim, 7 Drawing Sheets**



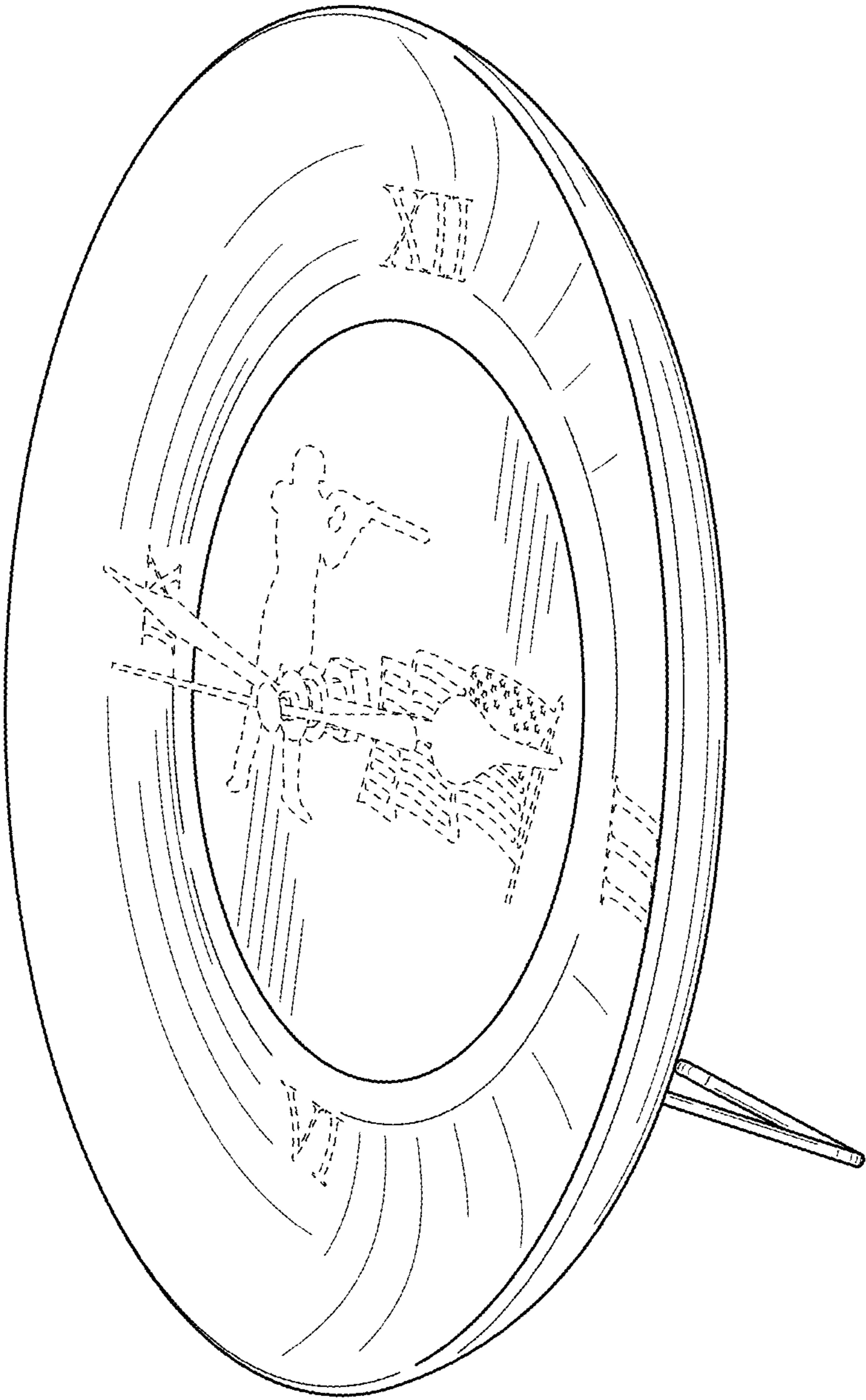


FIG. 1

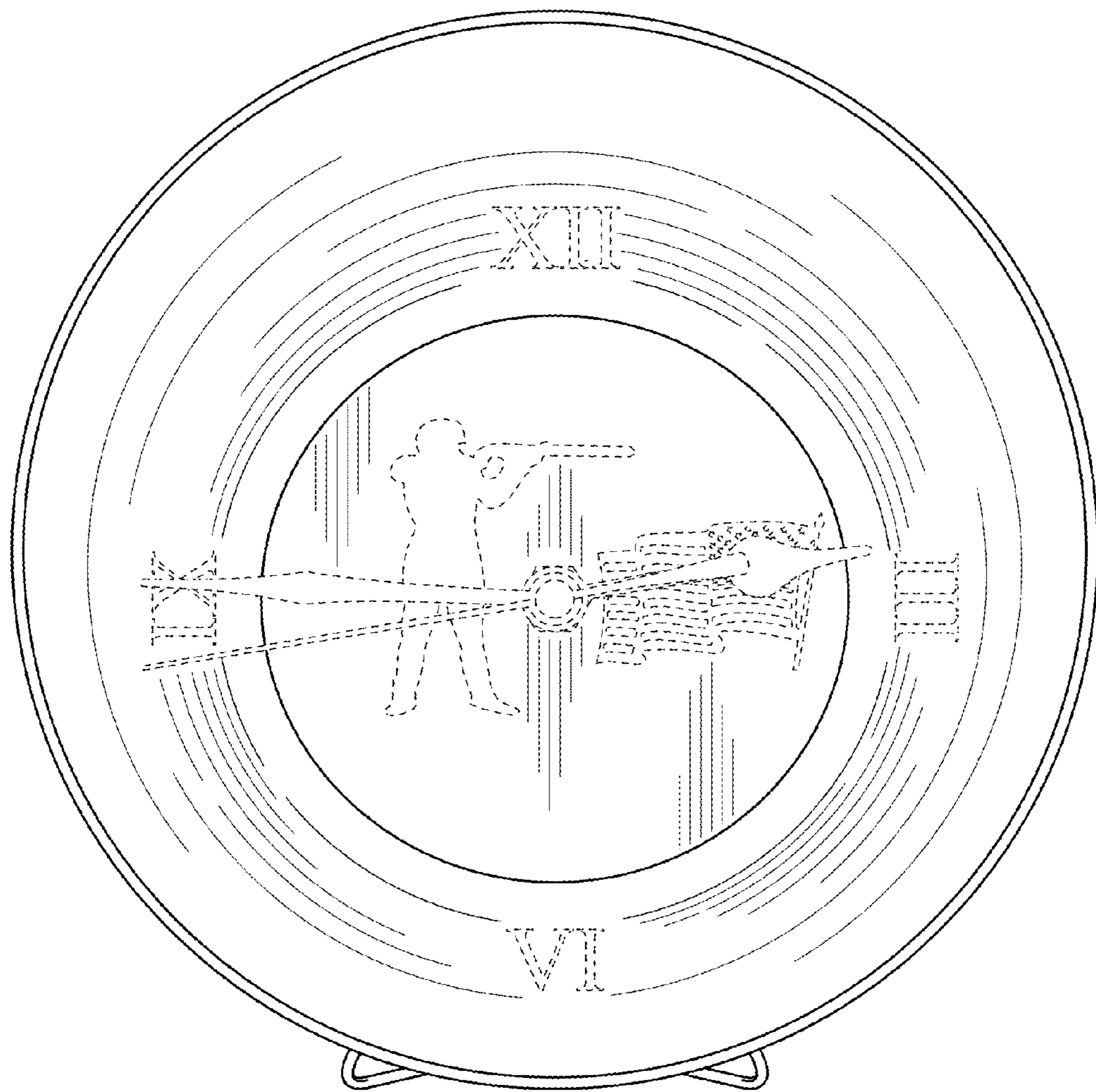


FIG. 2

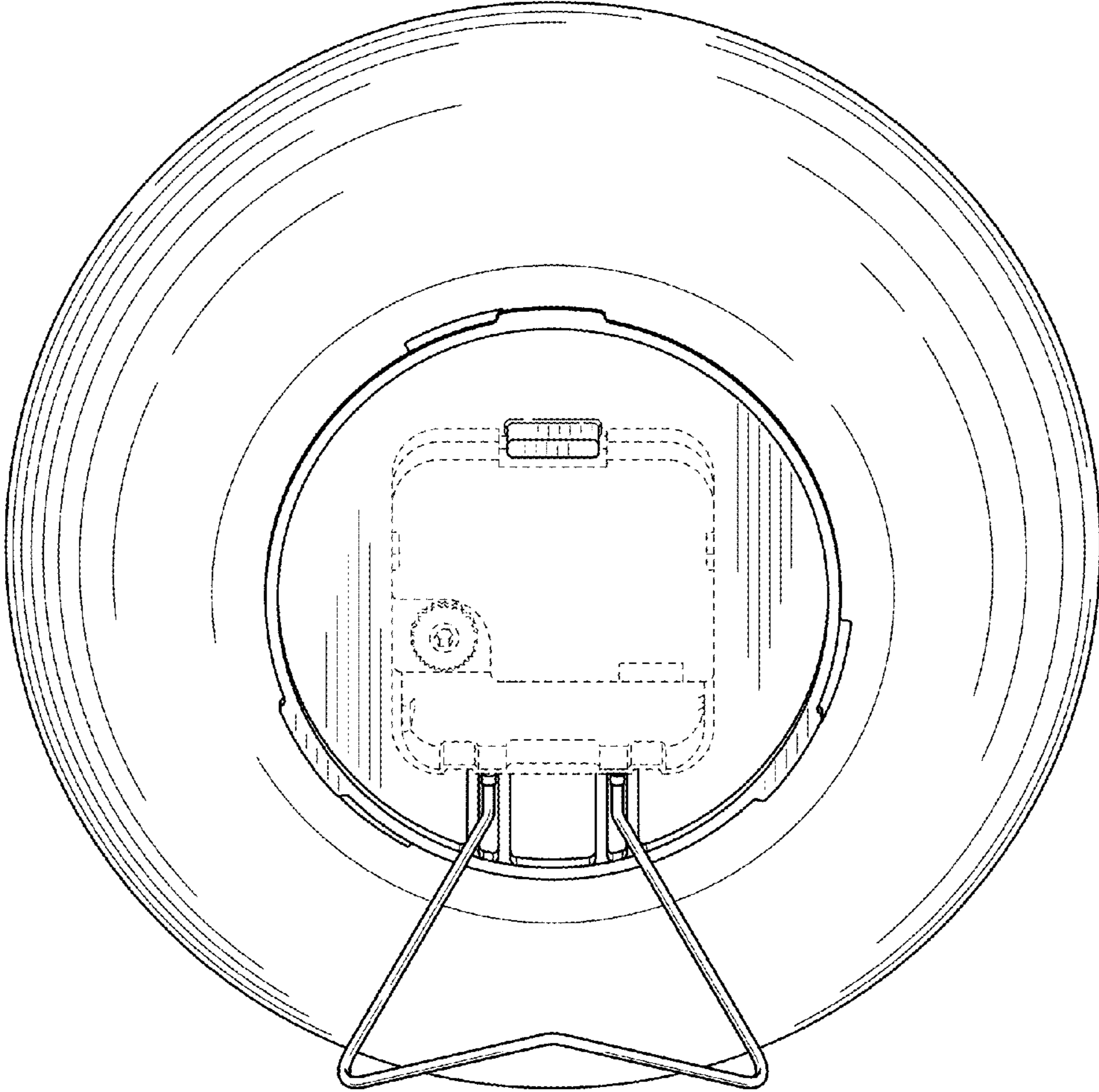


FIG. 3

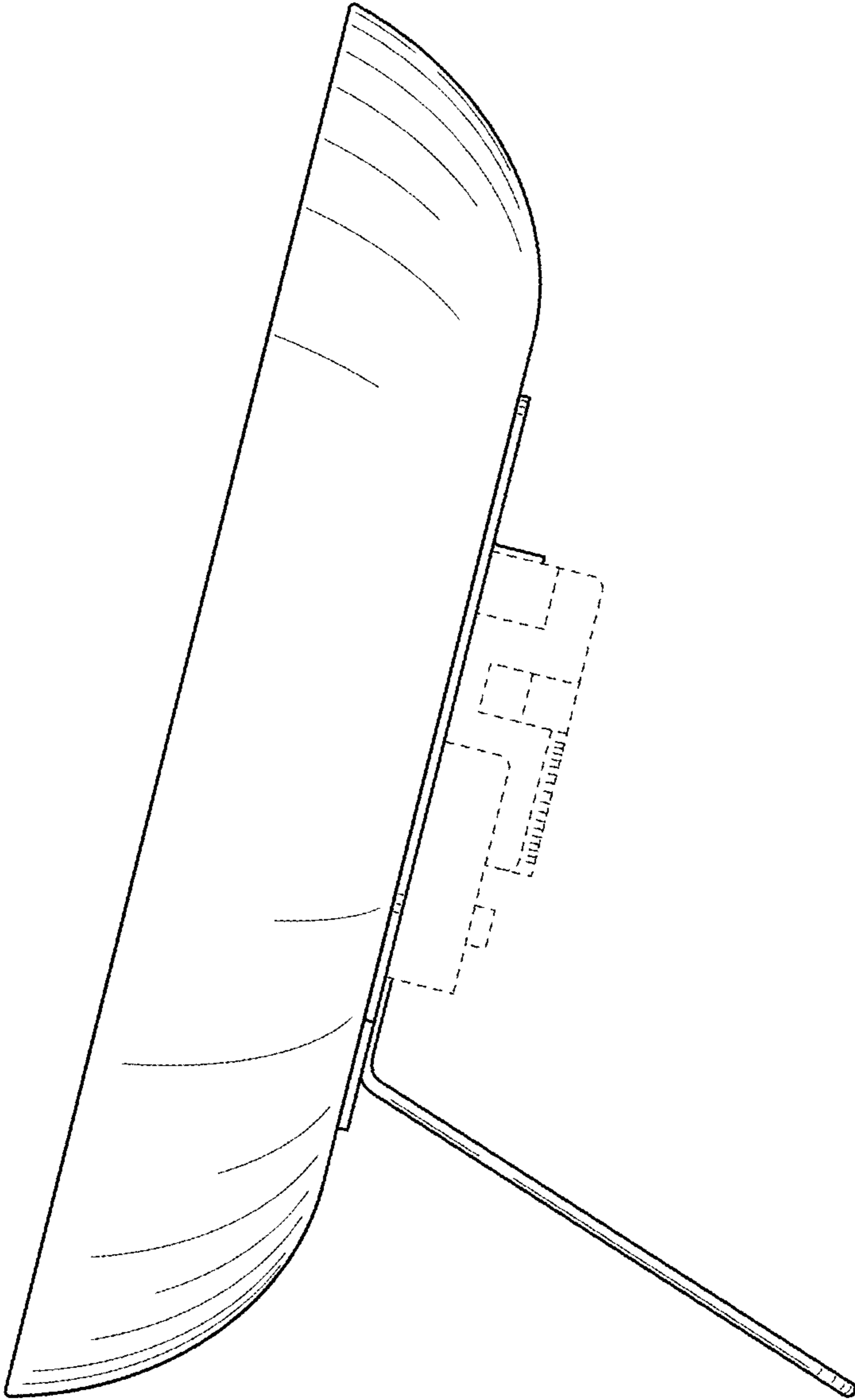


FIG. 4

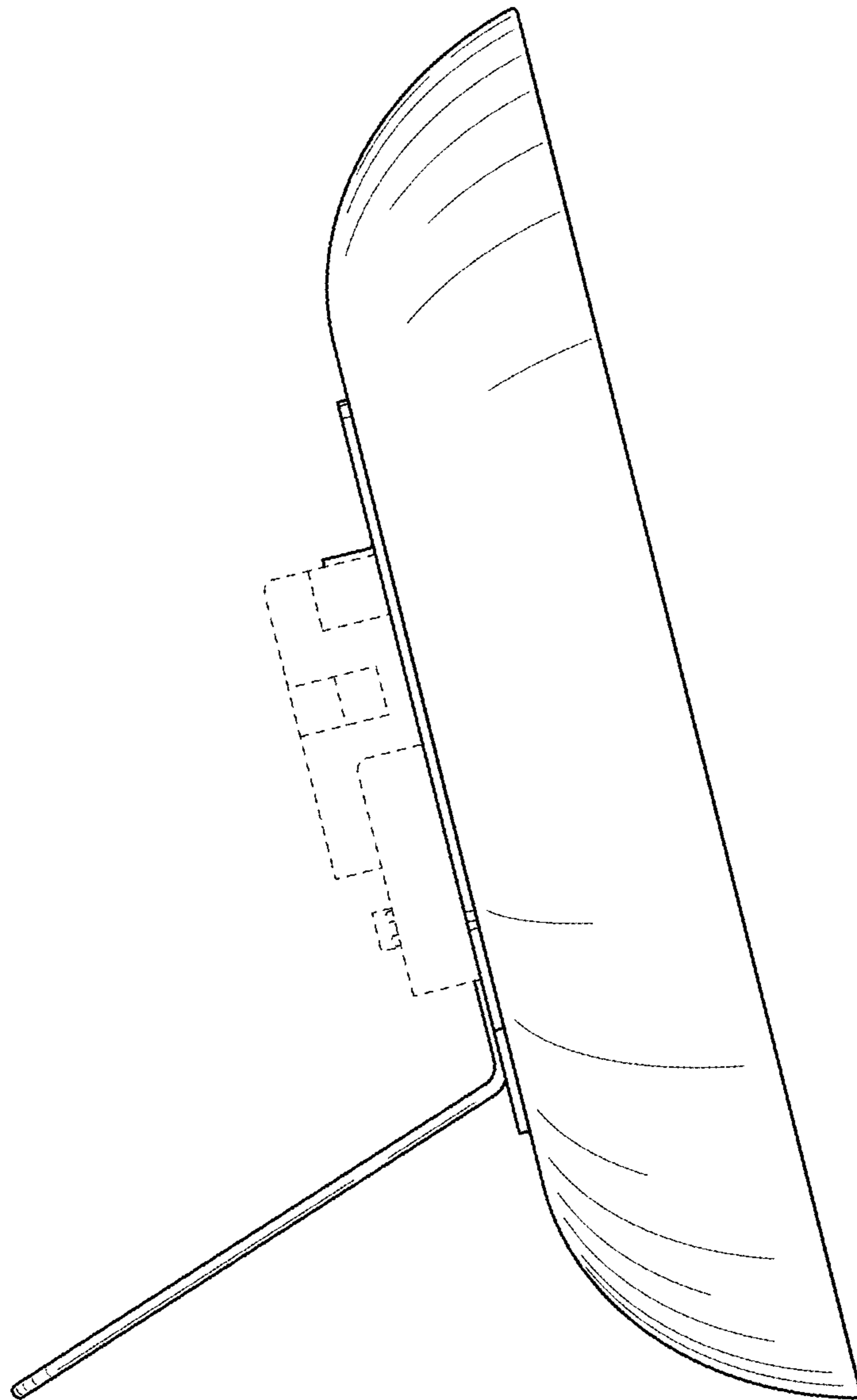


FIG. 5

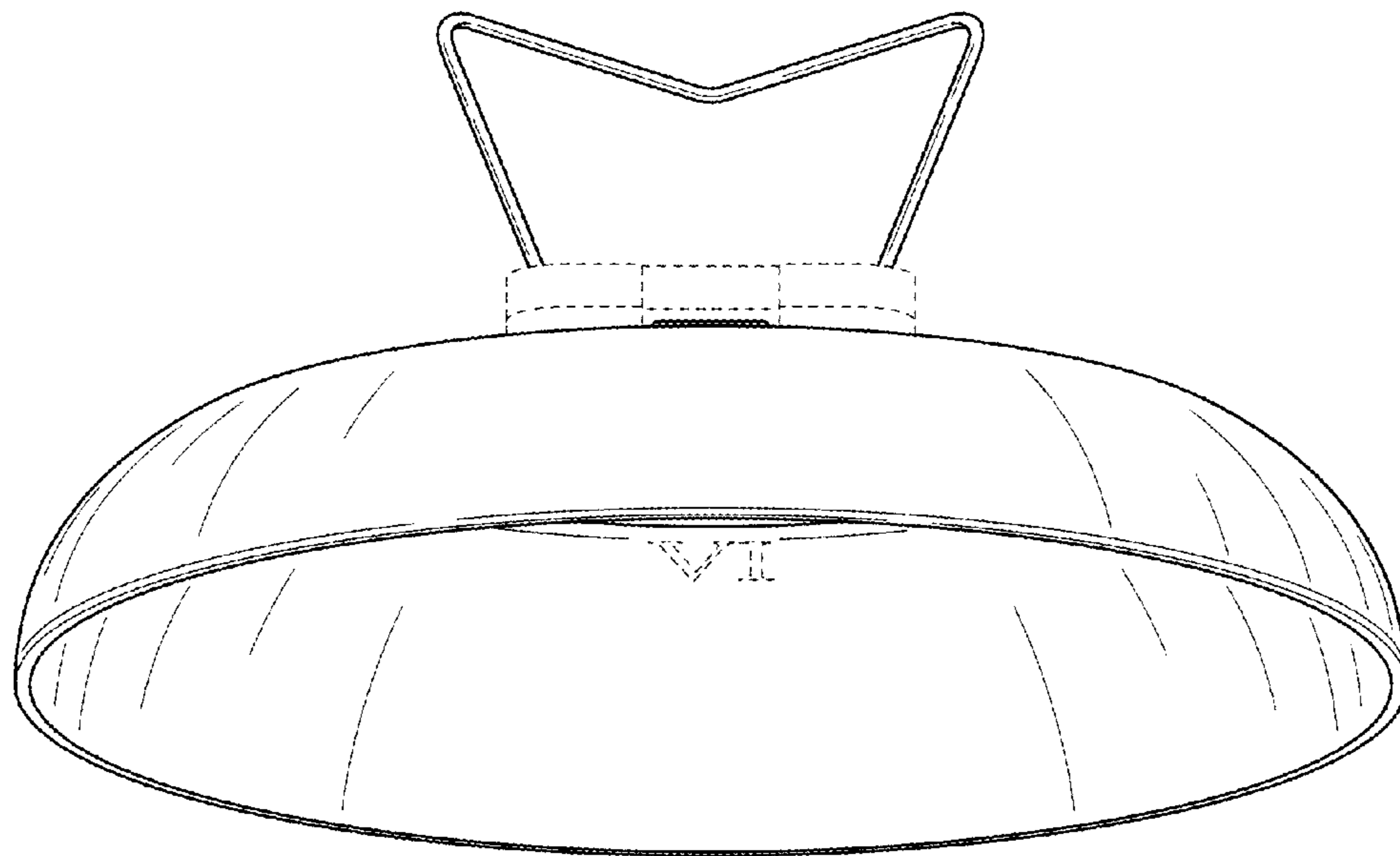


FIG. 6

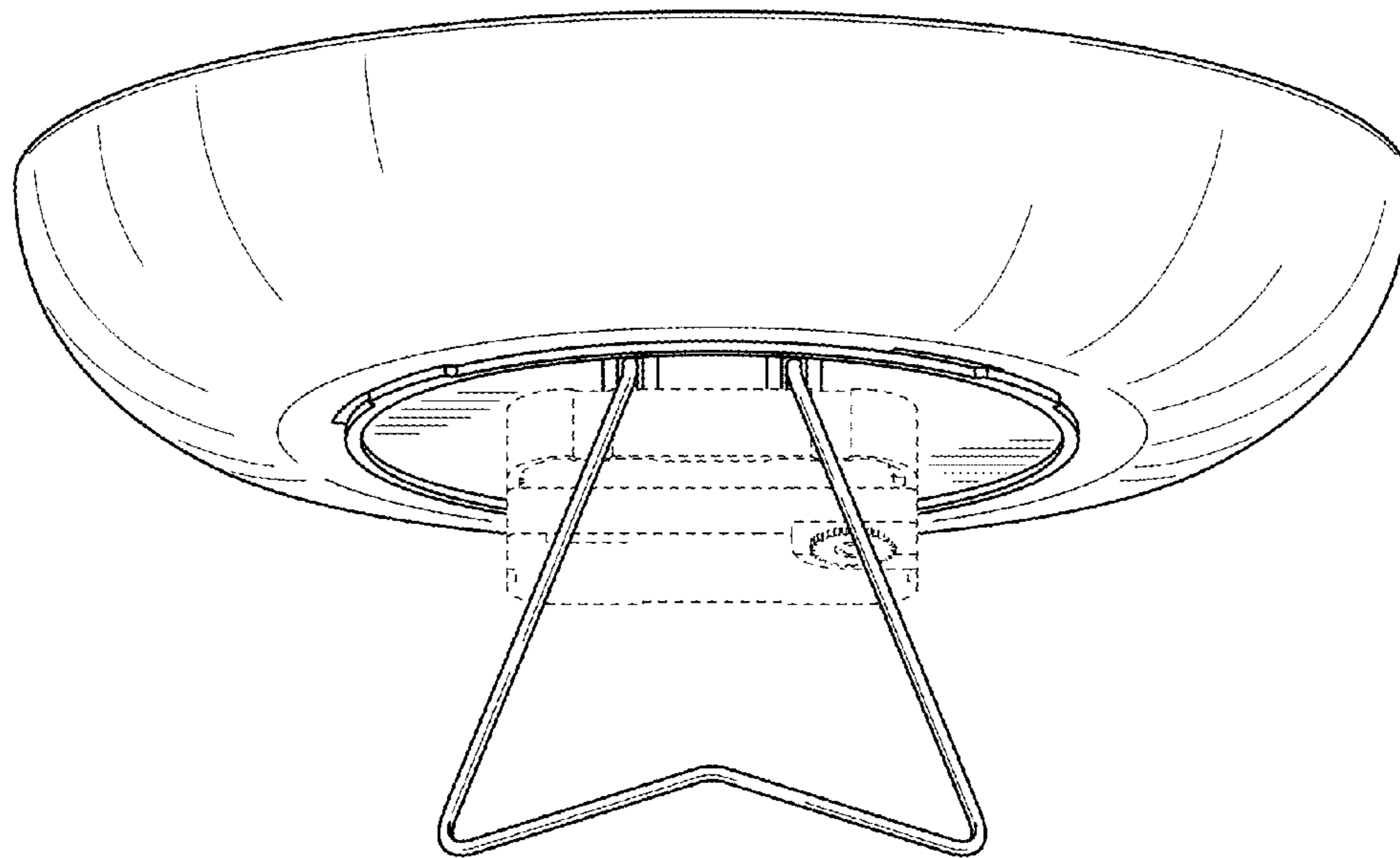


FIG. 7