



US00D732976S

(12) **United States Design Patent**
Ellsworth et al.

(10) **Patent No.:** **US D732,976 S**
(45) **Date of Patent:** **** Jun. 30, 2015**

- (54) **APPLICATOR DOME**
- (71) Applicant: **The Procter & Gamble Company**,
Cincinnati, OH (US)
- (72) Inventors: **Justin Alan Ellsworth**, Sharonville, OH
(US); **Lauren May Althaus**, Cincinnati,
OH (US); **Brendan James Leach**,
Cincinnati, OH (US); **Kerry Lloyd**
Weaver, Florence, KY (US)
- (73) Assignee: **The Procter & Gamble Company**,
Cincinnati, OH (US)
- (**) Term: **14 Years**
- (21) Appl. No.: **29/502,570**
- (22) Filed: **Sep. 17, 2014**
- (51) **LOC (10) Cl.** **09-01**
- (52) **U.S. Cl.**
USPC **D9/727**; D9/661
- (58) **Field of Classification Search**
USPC D2/507, 608, 631, 725, 734, 753, 777,
D2/948, 952, 981; D5/37, 39; D7/672,
D7/675, 678, 684; D9/434, 435, 441, 451,
D9/516, 549, 550, 529, 556, 558, 571, 661,
D9/723-727; D10/62, 64; D19/37, 40;
D26/118, 127; 206/385; 222/1, 71,
222/173; 604/295; 606/204.25
CPC A46M 35/00; B65D 47/18
See application file for complete search history.

- D408,736 S * 4/1999 Wilson et al. D9/447
- 5,947,621 A 9/1999 Szekely
- 6,039,483 A 3/2000 Szekely
- 6,143,284 A 11/2000 Bush et al.
- 6,299,369 B1 10/2001 Baines et al.
- D454,177 S * 3/2002 Tracy D23/261

(Continued)

FOREIGN PATENT DOCUMENTS

- JP D1292049 1/2007
- JP D1292053 1/2007

(Continued)

OTHER PUBLICATIONS

David Trubridge Floral Pendant Light, announced Oct. 2012,
[online], site visited Feb. 9, 2015. Available from Internet, <URL:
<http://www.lacremedesign.com>>.*

(Continued)

Primary Examiner — Derrick Holland

Assistant Examiner — Janice Lim

(74) *Attorney, Agent, or Firm* — Betty J. Zea

(57) **CLAIM**

The ornamental design for an applicator dome, as shown and
described.

DESCRIPTION

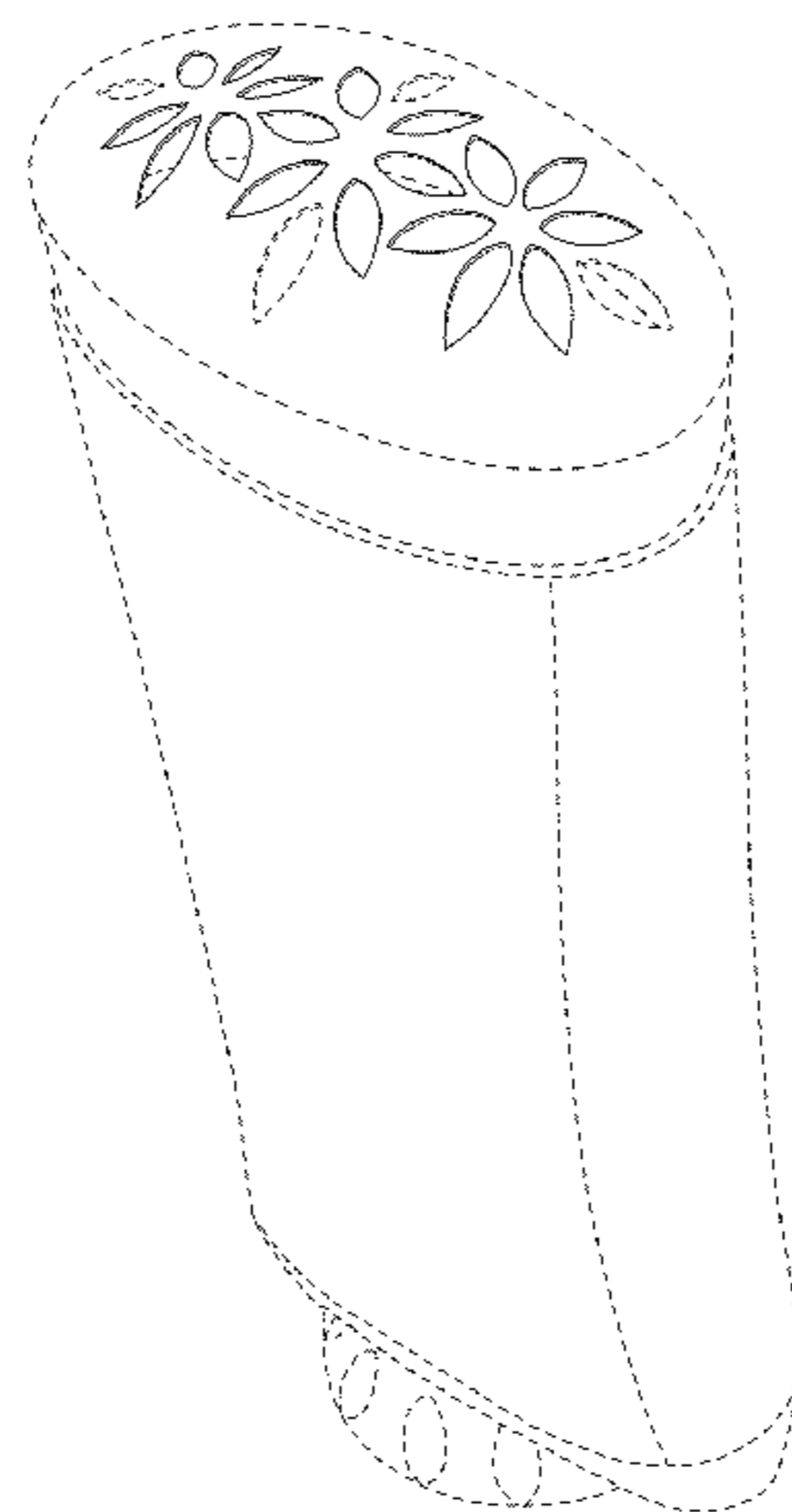
FIG. 1 is a perspective view of an applicator dome, showing
our new design;
FIG. 2 is a top plan view thereof;
FIG. 3 is a bottom view thereof;
FIG. 4 is a front view thereof;
FIG. 5 is a first side view thereof;
FIG. 6 is a back view thereof; and,
FIG. 7 is a second side view thereof.
The broken line portions of FIGS. 1-7 show unclaimed sub-
ject matter only and form no part of the claimed design.

1 Claim, 2 Drawing Sheets

(56) **References Cited**

U.S. PATENT DOCUMENTS

- D168,757 S * 2/1953 Odzer D5/37
- D296,020 S * 5/1988 McCarroll D30/130
- 4,854,231 A 8/1989 Jahn
- 5,000,356 A 3/1991 Johnson et al.
- 5,725,133 A 3/1998 Iaia
- D401,852 S * 12/1998 Teags D9/431
- 5,879,096 A 3/1999 Franta et al.



(56)

References Cited

U.S. PATENT DOCUMENTS

6,817,799 B1 11/2004 Petit
D542,652 S * 5/2007 Moribata et al. D9/435
D551,571 S * 9/2007 McConville et al. D9/728
D564,636 S * 3/2008 Hanna D23/261
D568,742 S * 5/2008 Kunesh et al. D9/445
7,374,360 B1 5/2008 Szekely
D576,735 S * 9/2008 Strickler et al. D24/199
D582,766 S 12/2008 Gatrost et al.
D645,743 S * 9/2011 Liebowitz et al. D9/435
D662,413 S * 6/2012 Jozwiak et al. D9/434
8,388,249 B2 3/2013 Groh et al.
D689,341 S * 9/2013 Dooley et al. D7/675
8,875,955 B2 11/2014 Arora et al.
8,961,048 B2 2/2015 Baines et al.

2010/0196079 A1 8/2010 Bolander et al.
2013/0039687 A1 2/2013 Bolander et al.
2014/0154197 A1 6/2014 Swaile et al.

FOREIGN PATENT DOCUMENTS

JP D1292651 2/2007
JP D1391747 7/2010
JP D1350924 1/2012

OTHER PUBLICATIONS

Fiorelli Ladies' Geometric Cutout Flower Locket Pendant, announced Nov. 2012, [online], site visited Feb. 9, 2015. Available from Internet, <URL: <http://www.amazon.co.uk>>.*

* cited by examiner

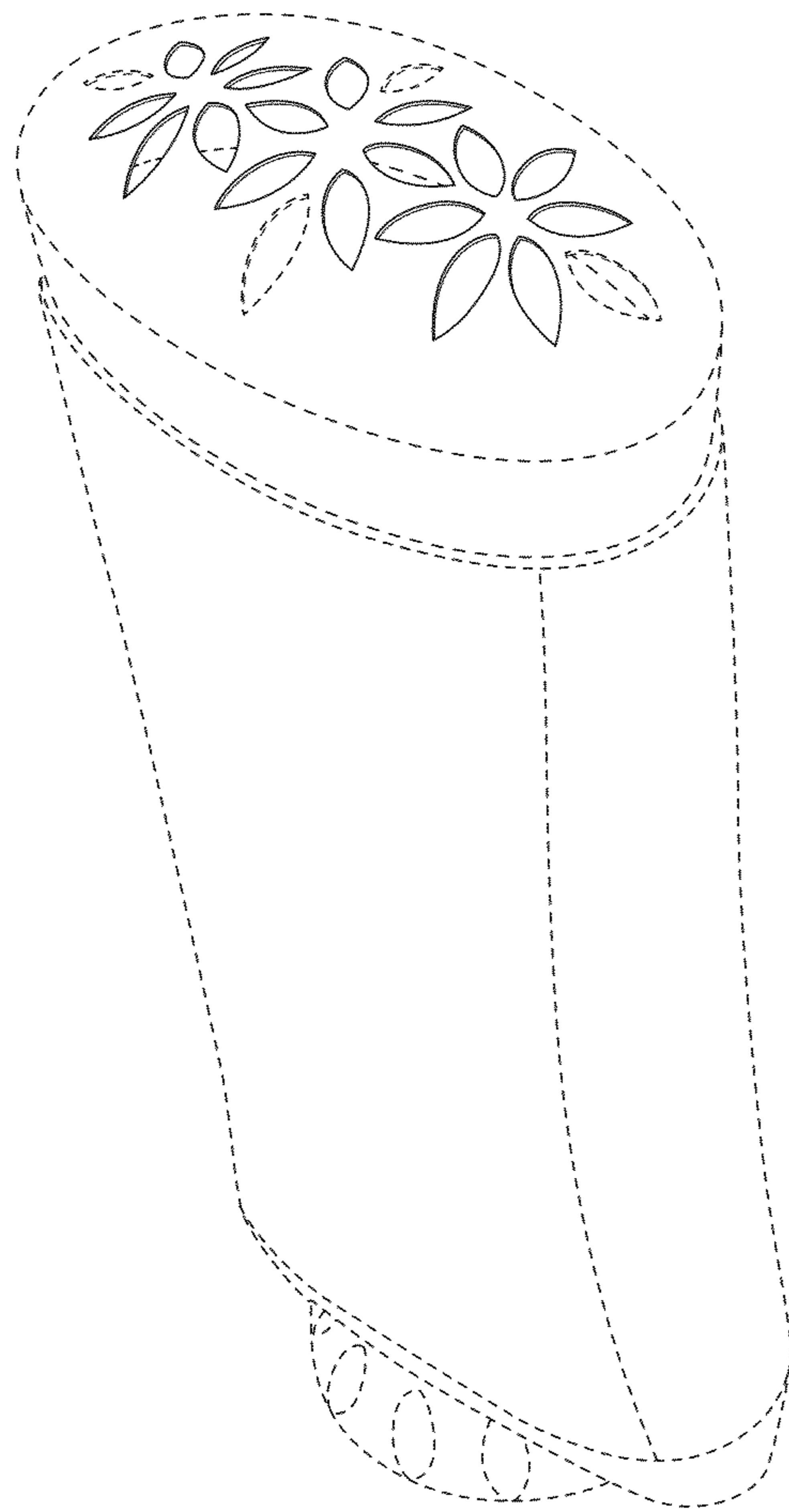


Fig. 1

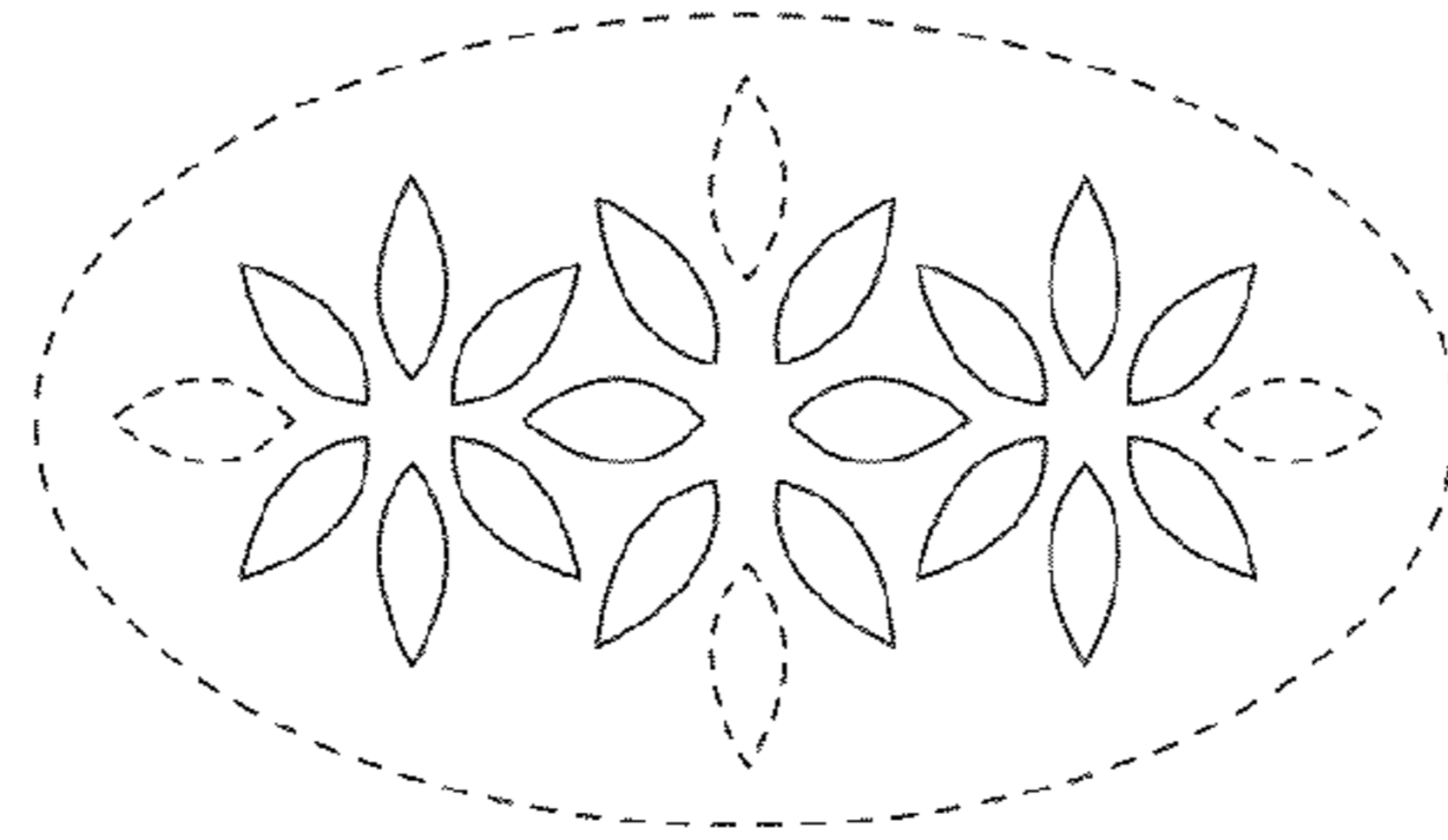


Fig. 2

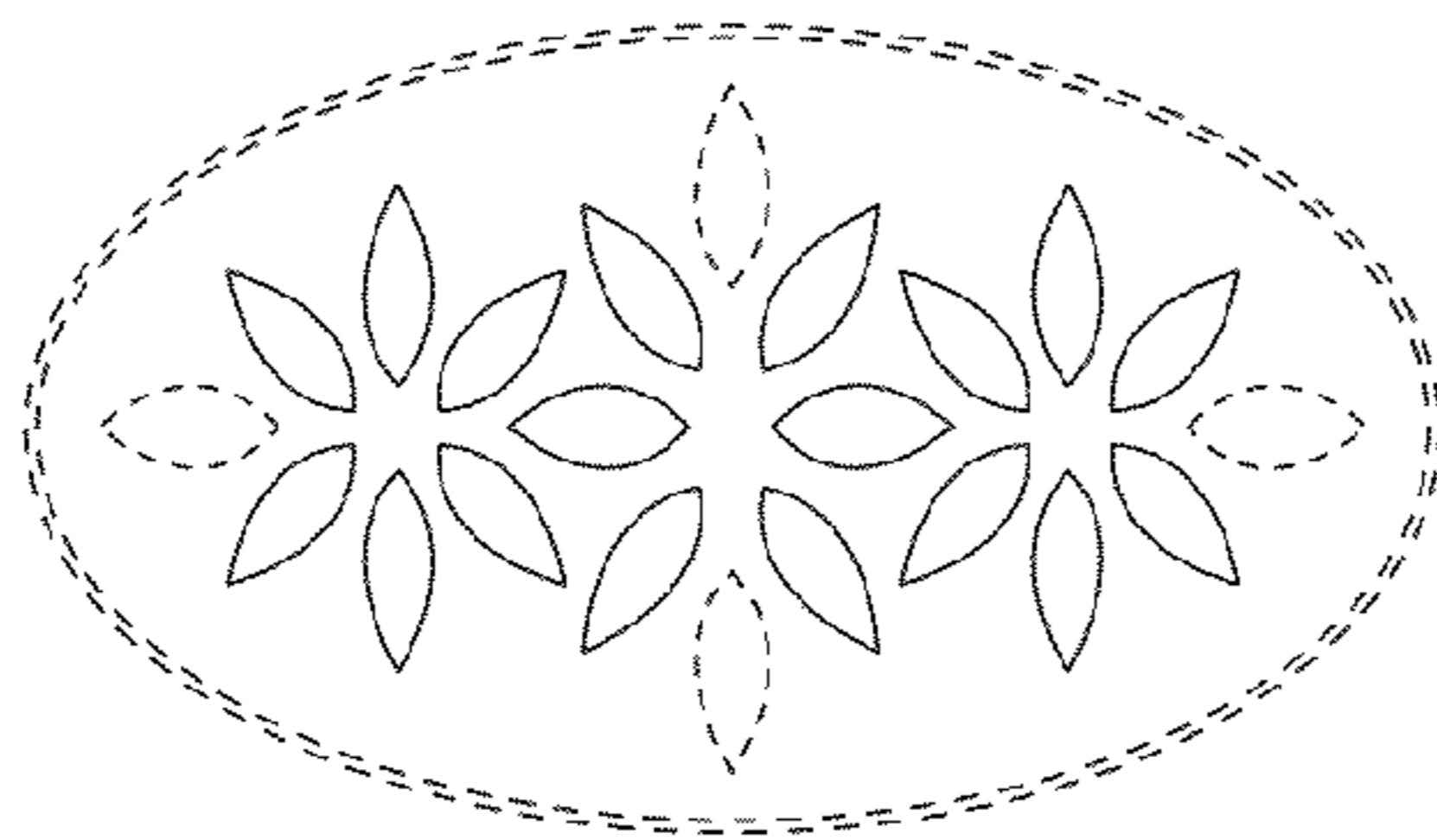


Fig. 3

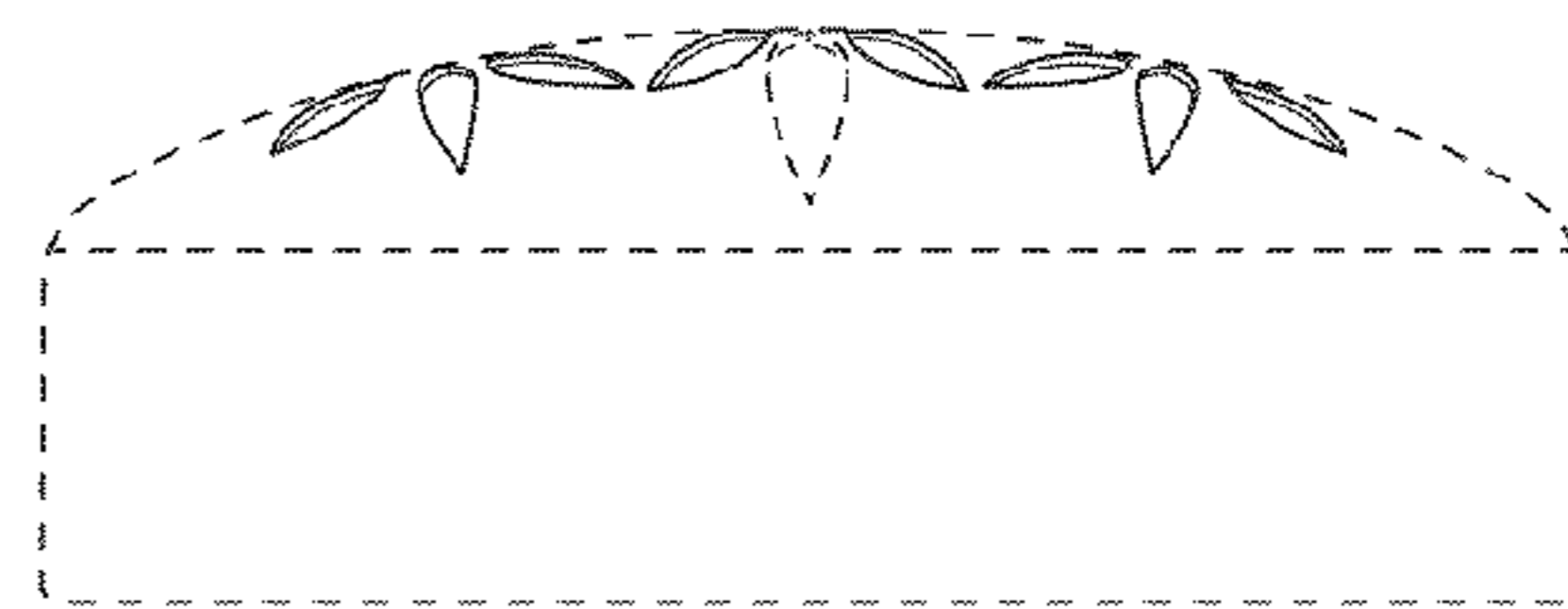


Fig. 4

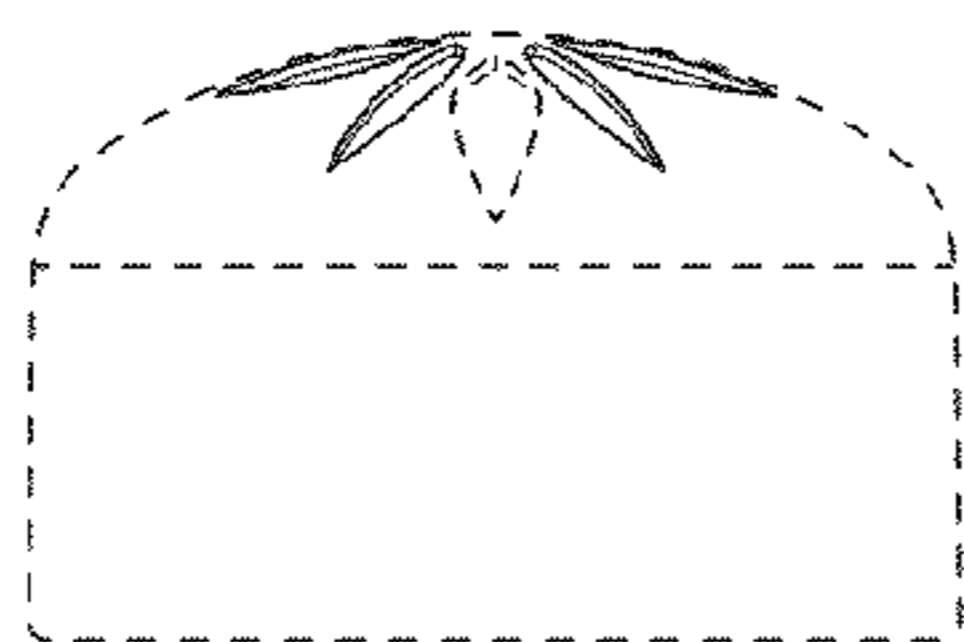


Fig. 5

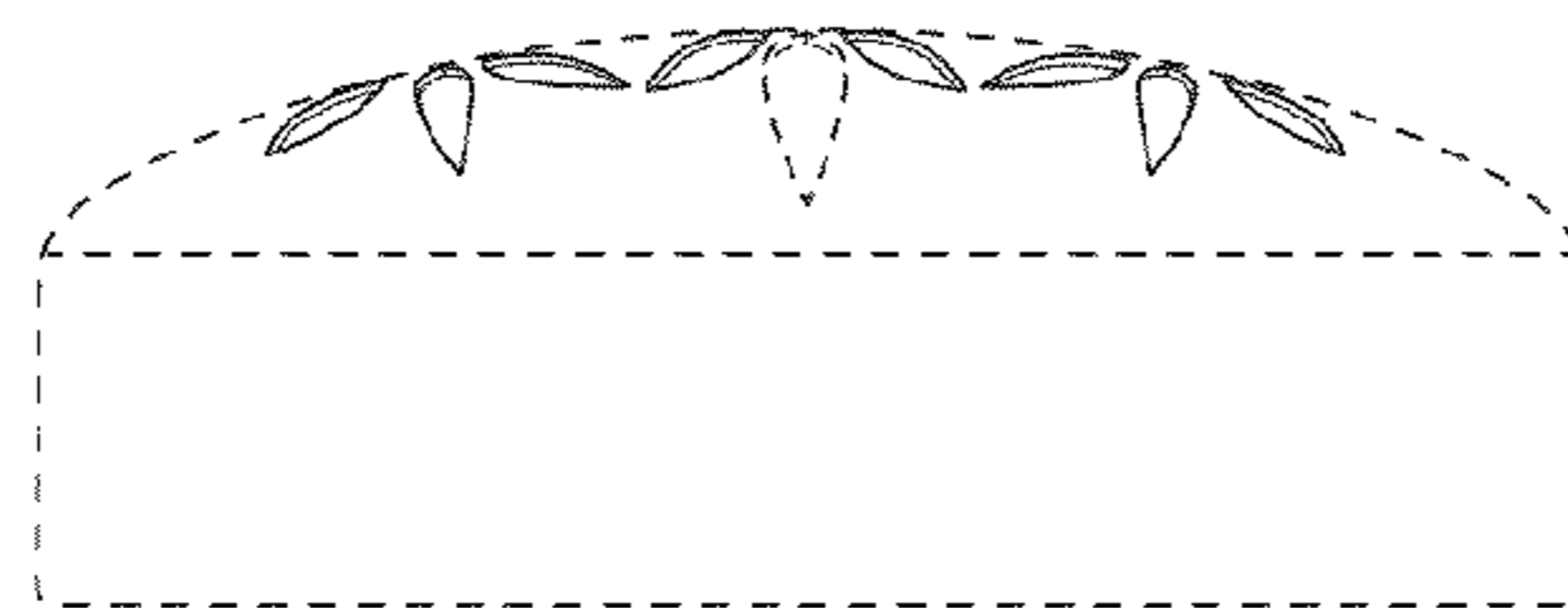


Fig. 6

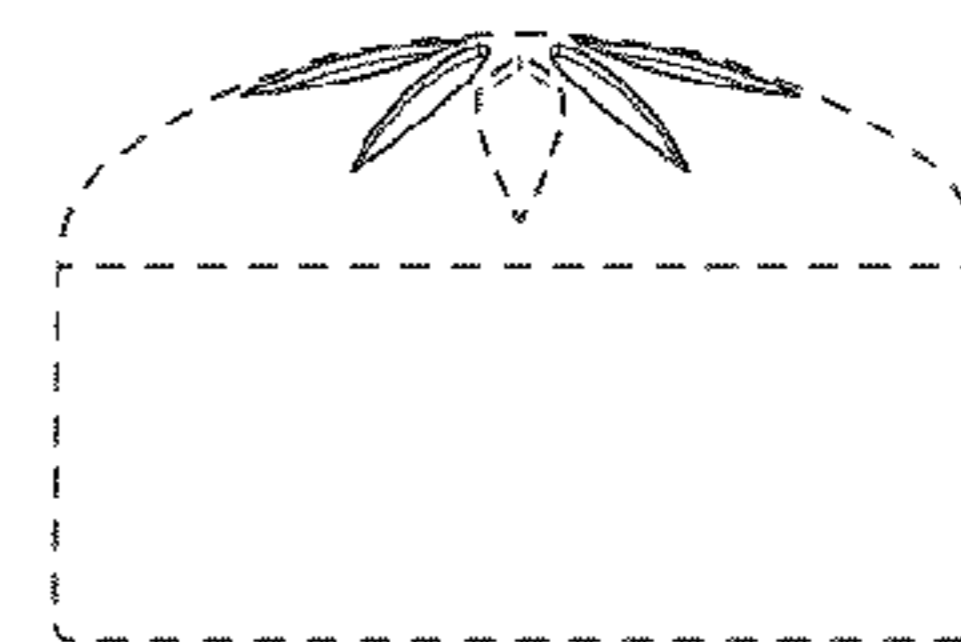


Fig. 7