



US00D732971S

(12) **United States Design Patent**
Serra

(10) **Patent No.:** **US D732,971 S**

(45) **Date of Patent:** **** Jun. 30, 2015**

(54) **PACKAGING TUB**

(71) Applicant: **COMPAGNIE GERVAIS DANONE,**
Paris (FR)

(72) Inventor: **Josef Serra,** Gava Barcelona (ES)

(73) Assignee: **COMPAGNIE GERVAIS DANONE,**
Paris (FR)

(**) Term: **14 Years**

(21) Appl. No.: **29/486,092**

(22) Filed: **Mar. 26, 2014**

(30) **Foreign Application Priority Data**

Sep. 27, 2013 (FR) 13/4166

(51) **LOC (10) Cl.** **09-01**

(52) **U.S. Cl.**
USPC **D9/643; D9/429; D1/118**

(58) **Field of Classification Search**
USPC D9/600, 643, 516, 414, 424-429, 434;
D3/270-271.3; 215/382-384, 400;
206/457, 527; D1/118

CPC B65D 67/00
See application file for complete search history.

(56) **References Cited**

U.S. PATENT DOCUMENTS

D153,352 S * 4/1949 Halset D1/118
D246,509 S * 11/1977 Hytken D9/643
D267,928 S * 2/1983 Bianchi D9/643
D284,726 S * 7/1986 Appel D7/515

4,875,620 A * 10/1989 Lane, Sr. 206/820
D395,230 S * 6/1998 Slater D9/643
D460,321 S * 7/2002 Ross D7/515
D490,588 S * 6/2004 Baker D1/118
D510,960 S * 10/2005 Choi D9/643
D517,421 S * 3/2006 Terrasi D9/643
D527,520 S * 9/2006 Green D3/271.1
D548,611 S * 8/2007 Lepoitevin D9/643
D593,407 S * 6/2009 Seo D9/428
D660,715 S * 5/2012 Vignone D9/643
D697,797 S * 1/2014 Hansen D9/429

* cited by examiner

Primary Examiner — Sandra Morris

(74) *Attorney, Agent, or Firm* — DLA Piper LLP (US);
Gianni Minutoli

(57) **CLAIM**

The ornamental design for a packaging tub, as shown and described.

DESCRIPTION

The patent or application file contains at least one drawing executed in color. Copies of this patent or patent application publication with color drawing(s) will be provided by the Office upon request and payment of the necessary fee.

FIG. 1 is a perspective bottom view of a packaging tub showing my new design;

FIG. 2 is a perspective top view of the packaging tub;

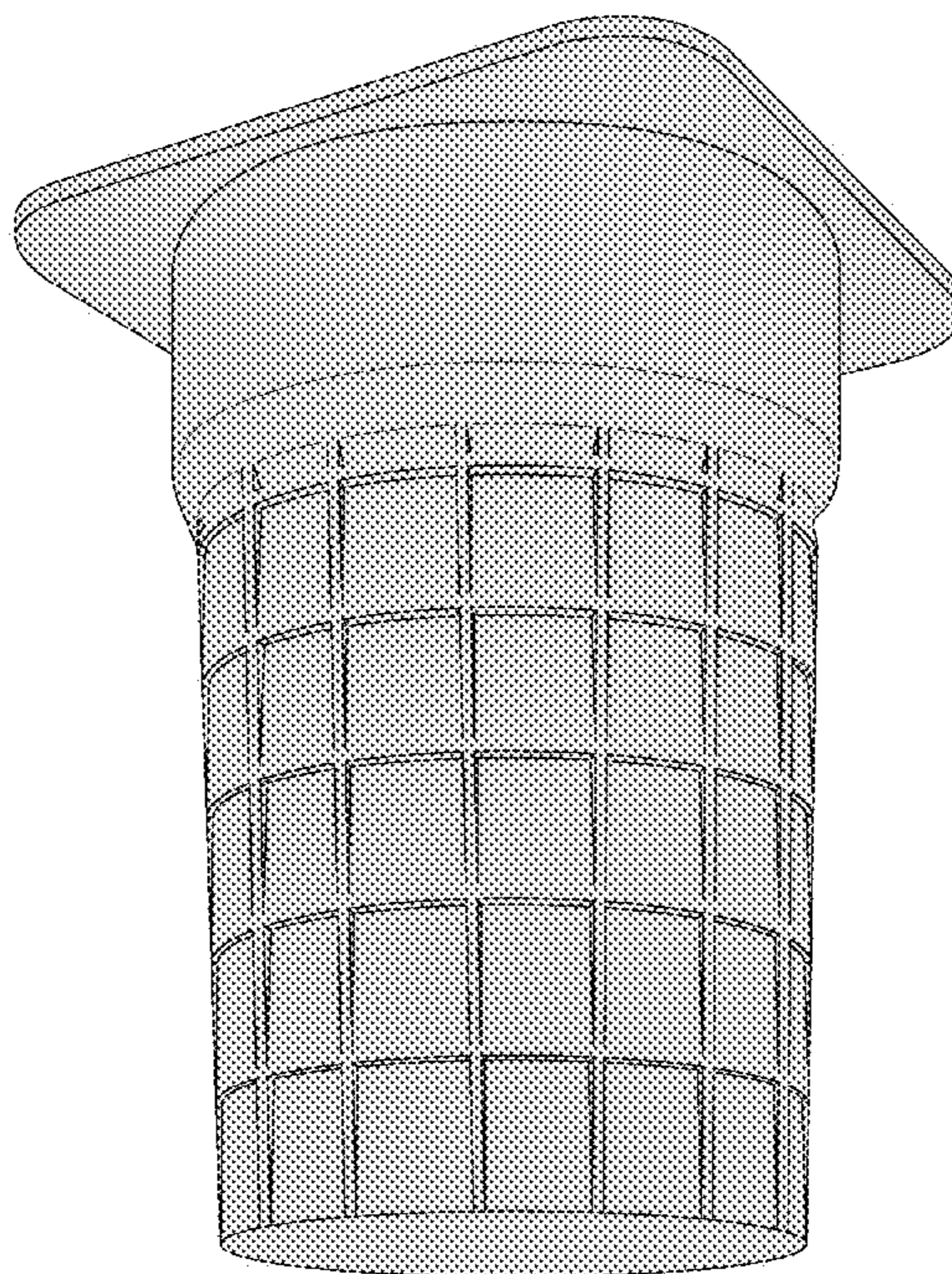
FIG. 3 is a perspective side view of the packaging tub;

FIG. 4 is a perspective bottom view of the packaging tub;

FIG. 5 is a bottom view of the packaging tub; and,

FIG. 6 is a side view of the packaging tub.

1 Claim, 6 Drawing Sheets
(6 of 6 Drawing Sheet(s) Filed in Color)



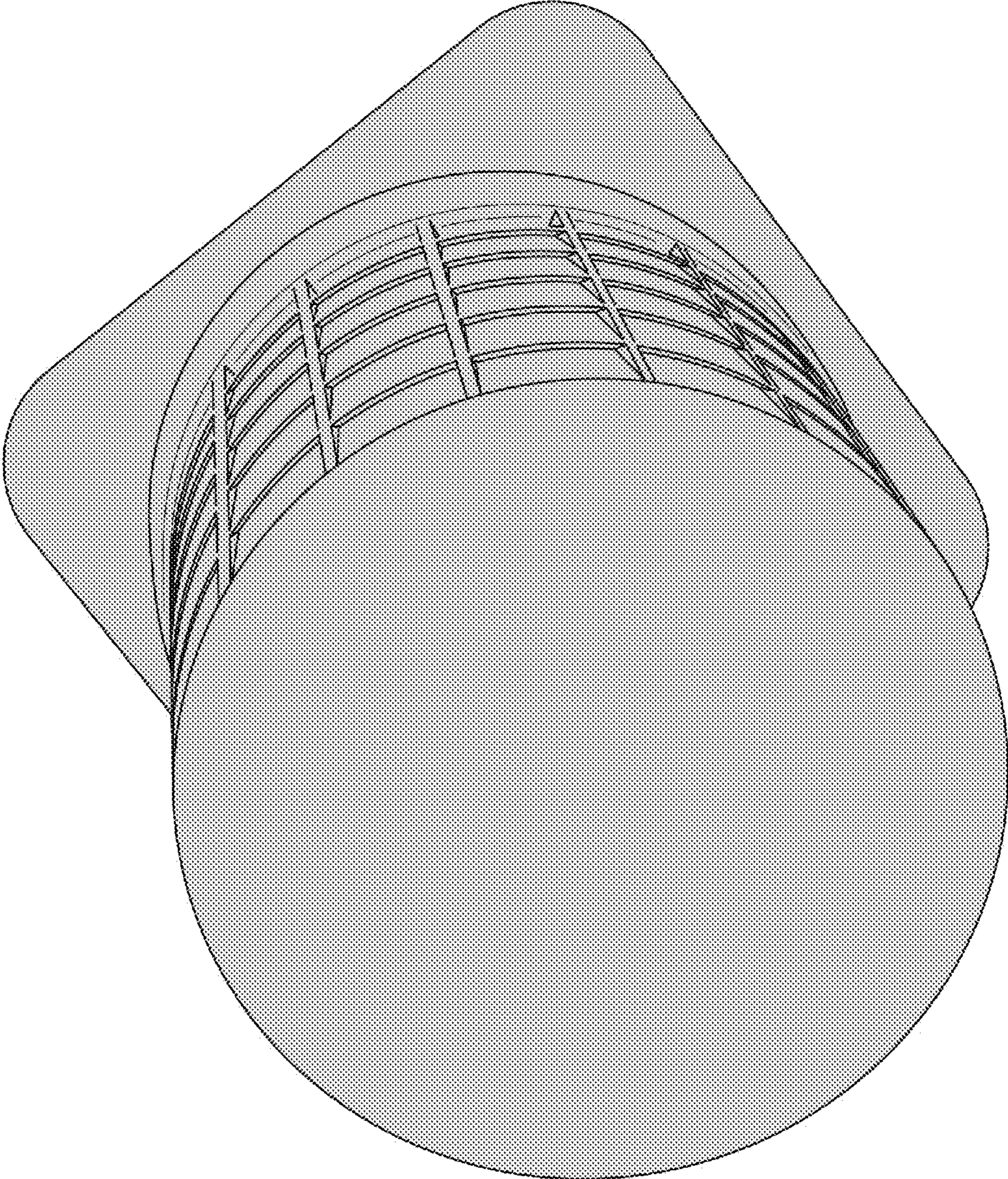


FIG. 1

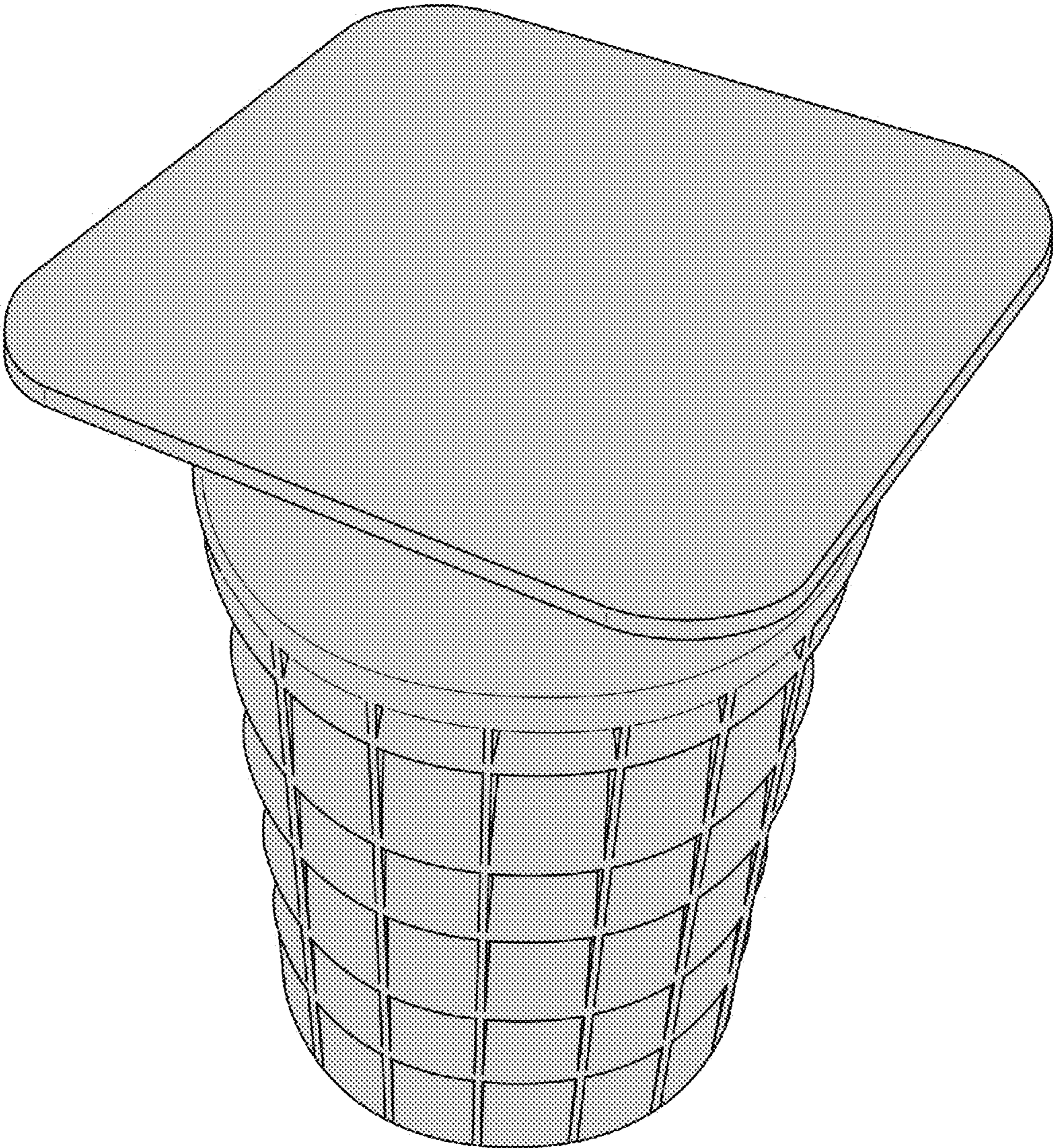


FIG. 2

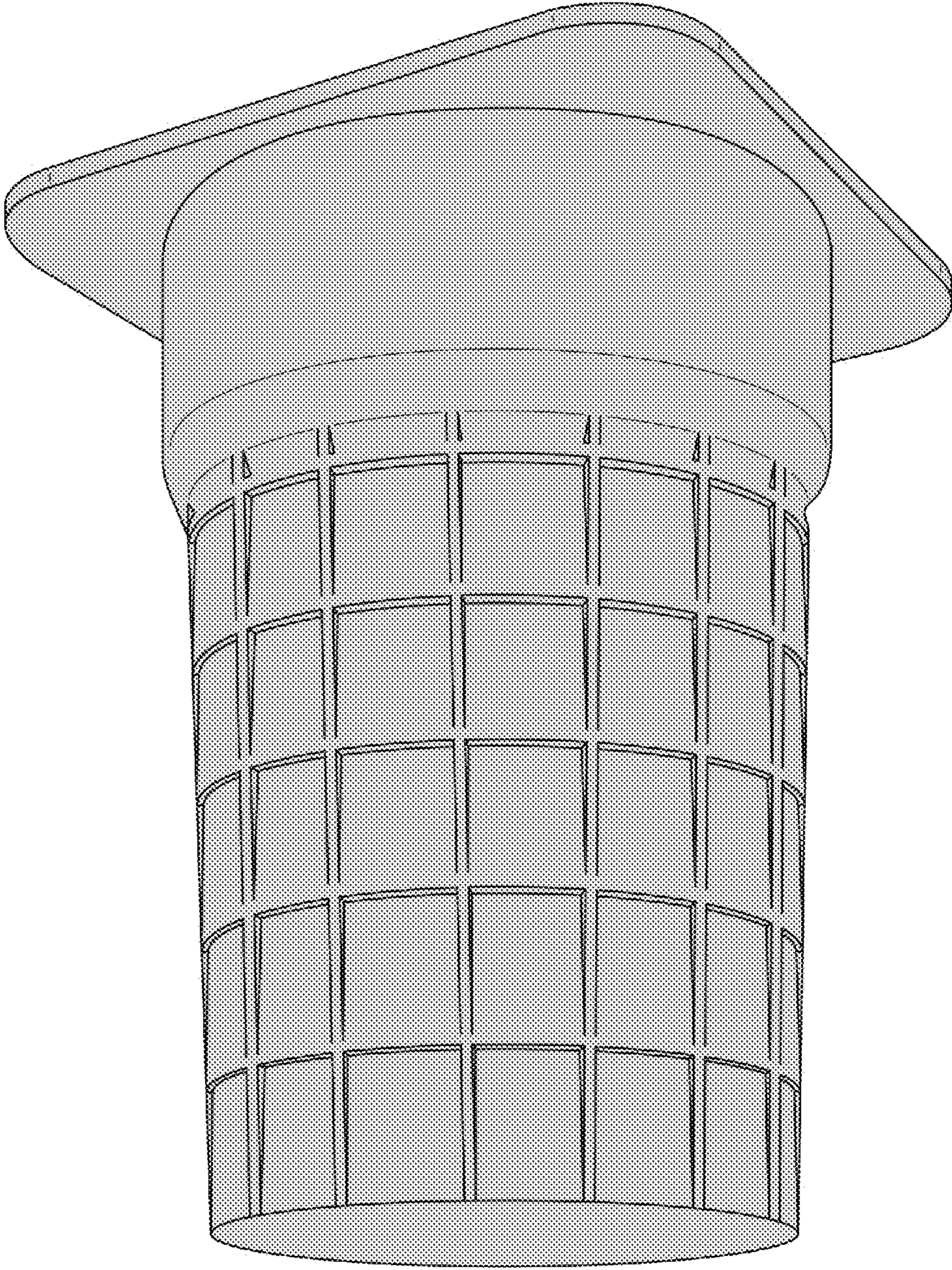


FIG. 3

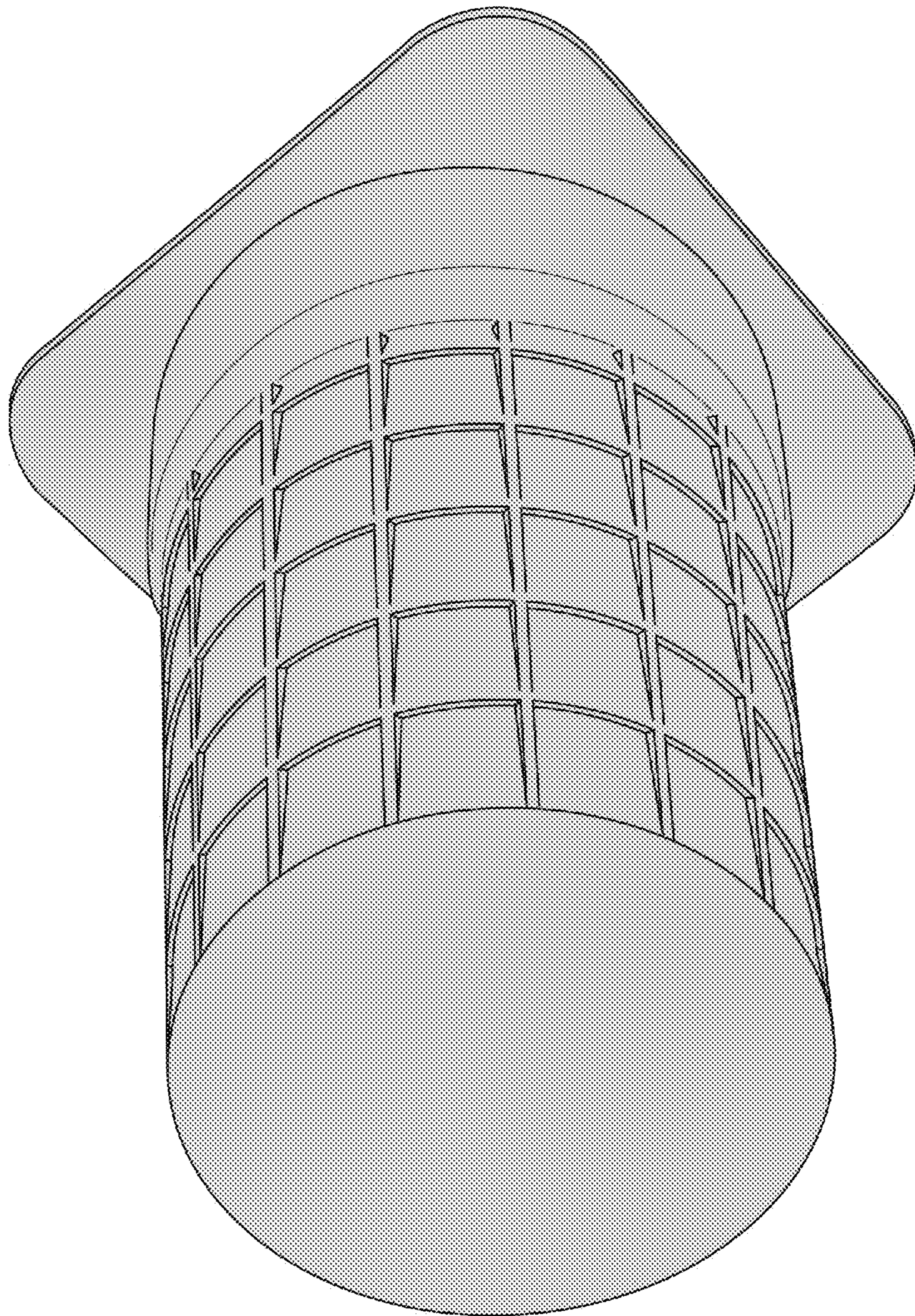


FIG. 4

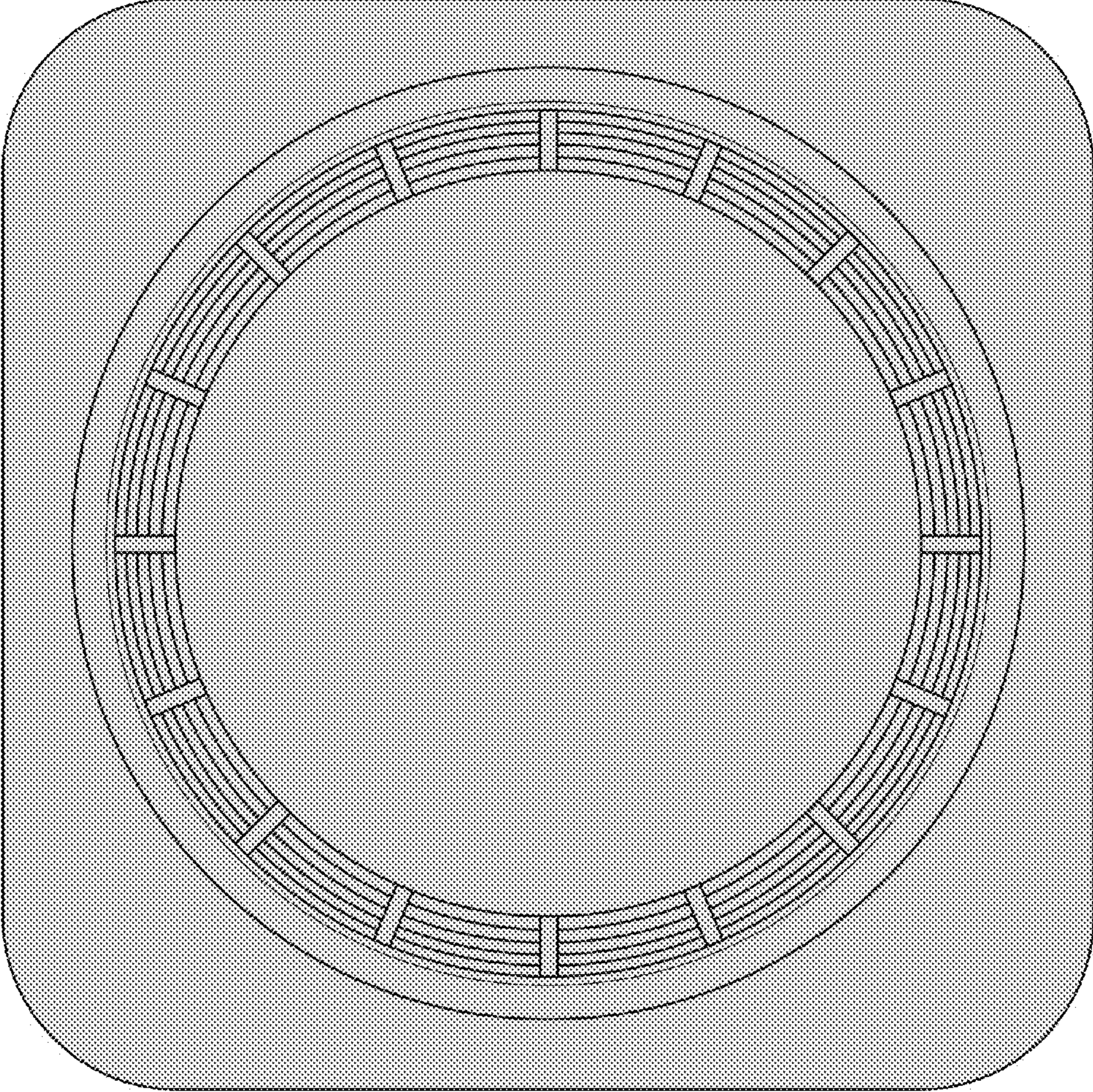


FIG. 5

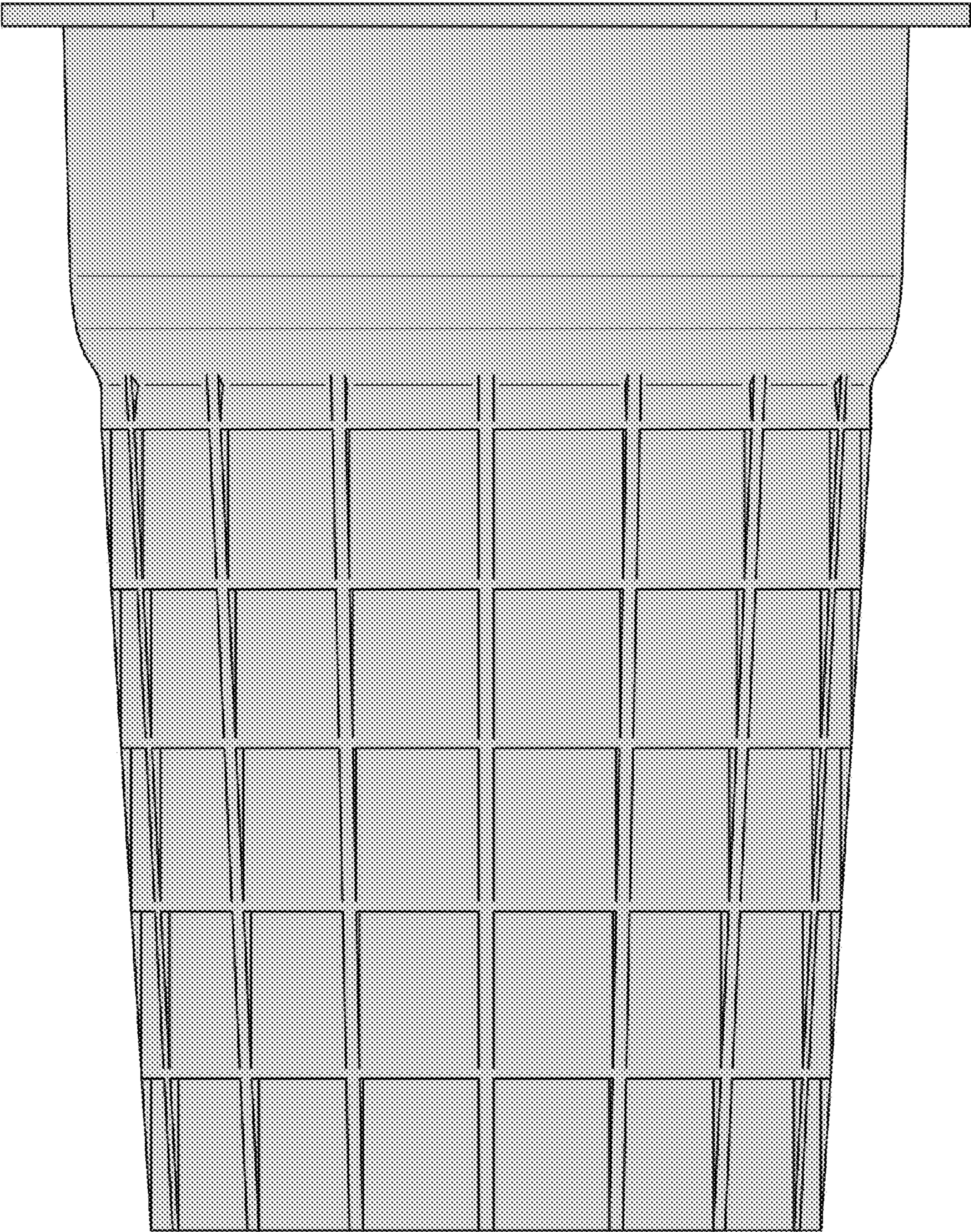


FIG. 6