



US00D732968S

(12) **United States Design Patent**  
**Heisner et al.**

(10) **Patent No.:** **US D732,968 S**  
(45) **Date of Patent:** **\*\* Jun. 30, 2015**

(54) **CONTAINER**

(75) Inventors: **David B. Heisner**, York, PA (US); **Alicia Evans**, York, PA (US); **Stephen R. Guerin**, Milford, NH (US)

(73) Assignee: **GRAHAM PACKAGING COMPANY, L.P.**, York, PA (US)

(\*\*) Term: **14 Years**

(21) Appl. No.: **29/415,876**

(22) Filed: **Mar. 15, 2012**

(51) **LOC (10) Cl.** ..... **09-01**

(52) **U.S. Cl.**  
USPC ..... **D9/538**

(58) **Field of Classification Search**  
USPC ..... D9/537, 538, 539, 516, 540, 541, 545,  
D9/546, 549, 550, 553, 558; 215/381, 382,  
215/383, 384; 220/606, 670, 674, 675  
See application file for complete search history.

(56) **References Cited**

**U.S. PATENT DOCUMENTS**

D370,415 S *	6/1996	Seppala	.....	D9/537
D443,827 S *	6/2001	Krishnakumar et al.	.....	D9/537
D482,976 S *	12/2003	Melrose	.....	D9/537
D535,885 S *	1/2007	Davis et al.	.....	D9/538
D547,664 S *	7/2007	Davis et al.	.....	D9/538
D551,984 S *	10/2007	La Kier et al.	.....	D9/538
D559,112 S *	1/2008	Hyde et al.	.....	D9/538
7,364,046 B2	4/2008	Joshi et al.		
7,469,796 B2	12/2008	Kamineni et al.		
D586,224 S *	2/2009	Darr et al.	.....	D9/538
D632,964 S *	2/2011	Shah et al.	.....	D9/538
D632,965 S *	2/2011	Lewis et al.	.....	D9/538
D637,913 S *	5/2011	Schlies et al.	.....	D9/538

8,091,720 B2	1/2012	Colloud		
D661,194 S *	6/2012	Gardela	.....	D9/516
D688,557 S *	8/2013	Caporin et al.	.....	D9/516
2007/0257003 A1	11/2007	Colloud		

\* cited by examiner

*Primary Examiner* — Stella Reid

*Assistant Examiner* — Khawaja Anwar

(74) *Attorney, Agent, or Firm* — Baker Botts L.L.P.

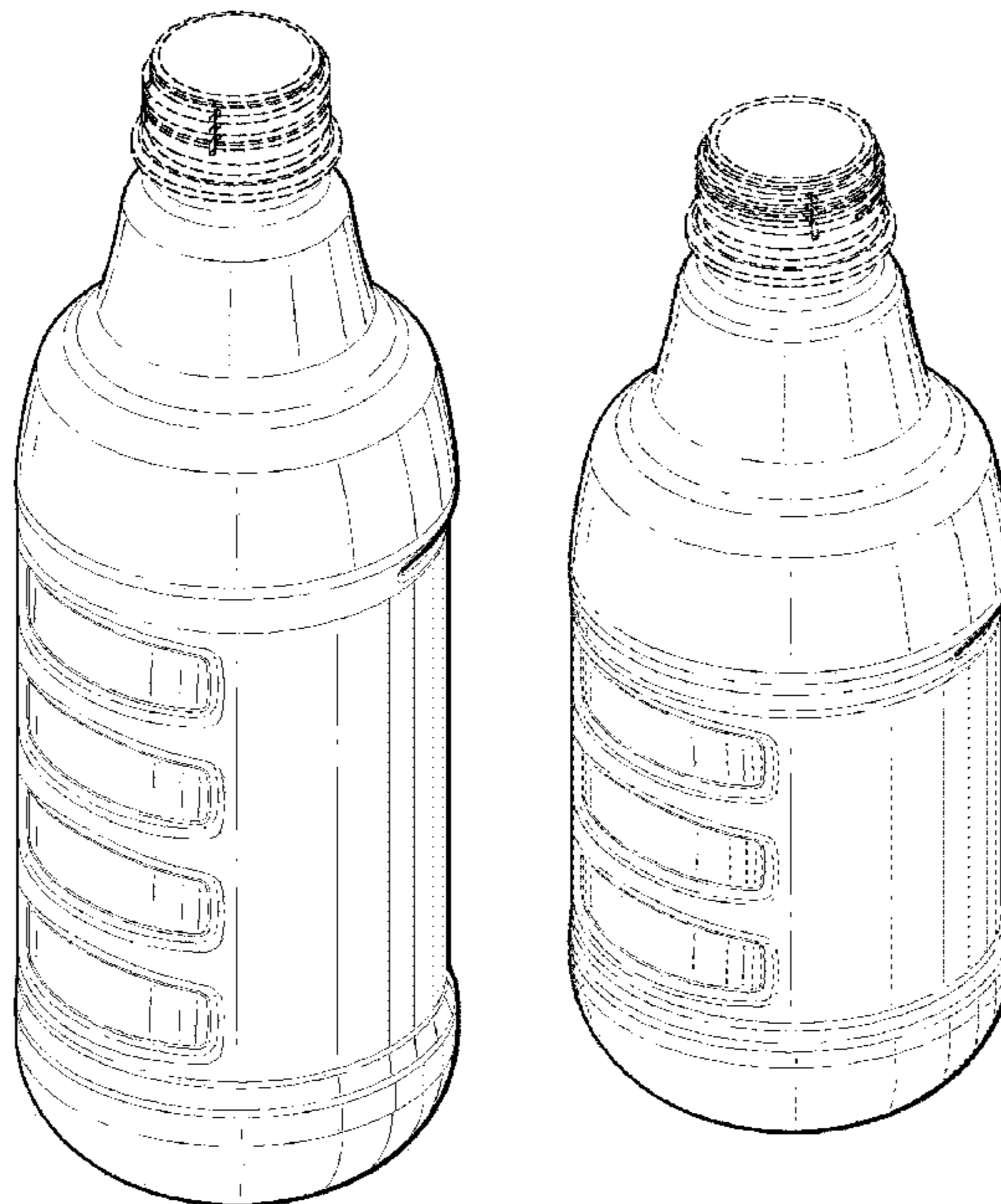
(57) **CLAIM**

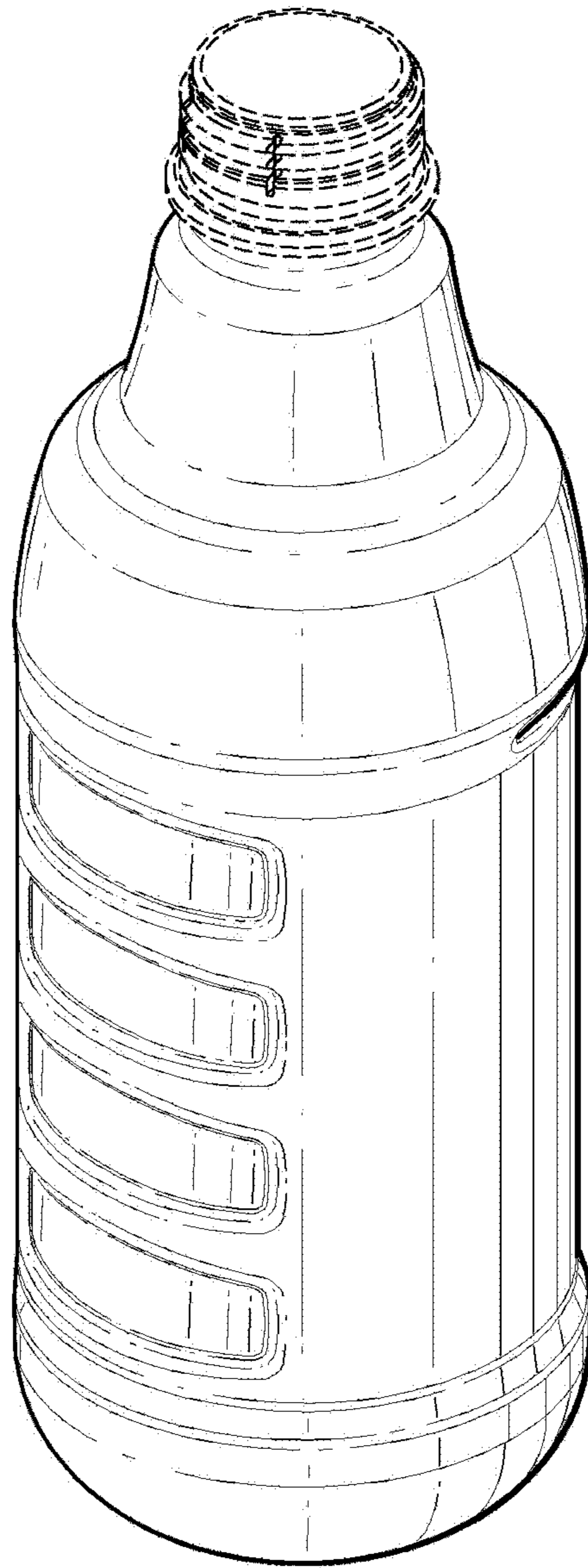
The ornamental design for a container, as shown and described.

**DESCRIPTION**

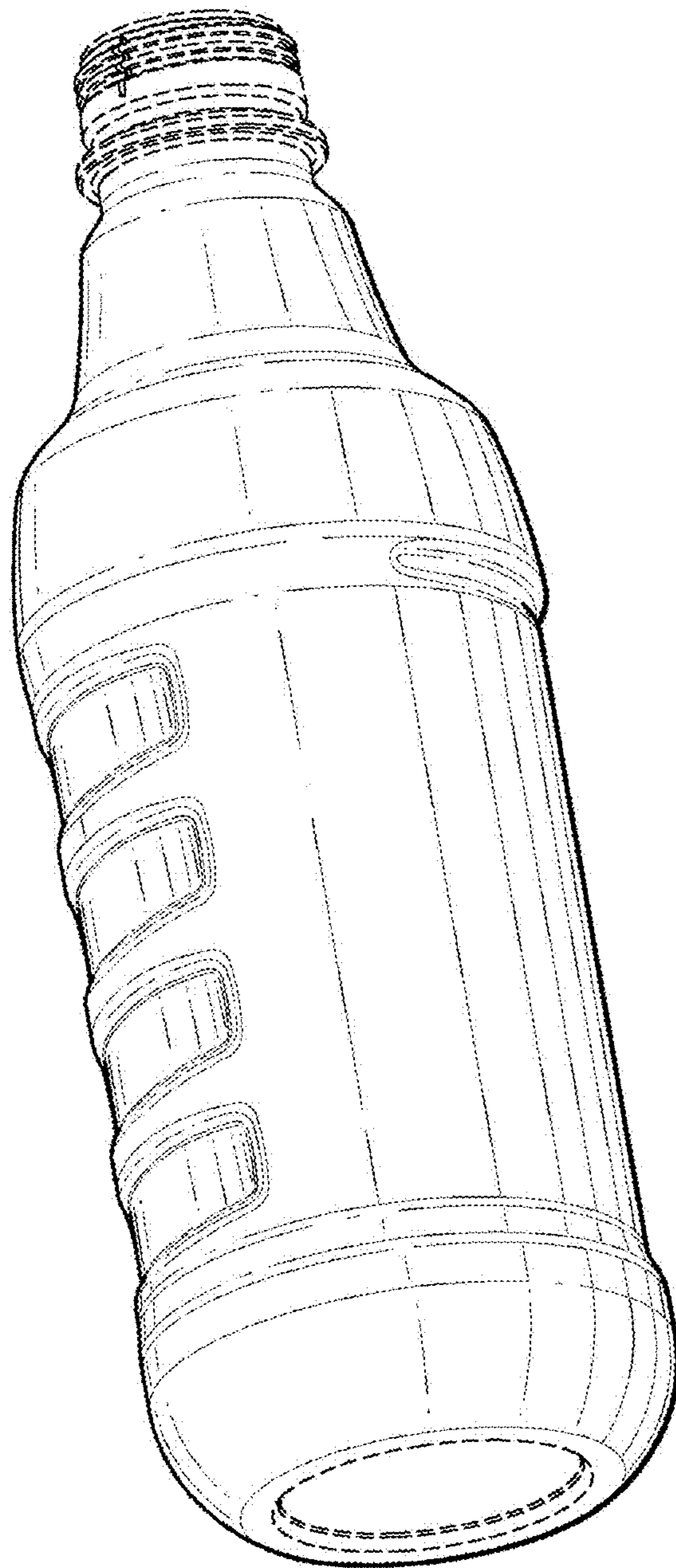
FIG. 1 is a first perspective view of a first embodiment of a Container showing our new design.  
 FIG. 2 is a second perspective view;  
 FIG. 3 is a front elevational view;  
 FIG. 4 is a rear elevational view;  
 FIG. 5 is a first side elevational view;  
 FIG. 6 is a second side elevational view;  
 FIG. 7 is a top plan view;  
 FIG. 8 is a bottom plan view;  
 FIG. 9 is a first perspective view showing a second embodiment of our new design;  
 FIG. 10 is a second perspective view;  
 FIG. 11 is a front elevational view;  
 FIG. 12 is a rear elevational view;  
 FIG. 13 is a first side elevational view;  
 FIG. 14 is a second side elevational view;  
 FIG. 15 is a top plan view; and,  
 FIG. 16 is a bottom plan view.  
 The broken lines in the drawings show unclaimed subject matter only and form no part of the claimed design.

**1 Claim, 14 Drawing Sheets**

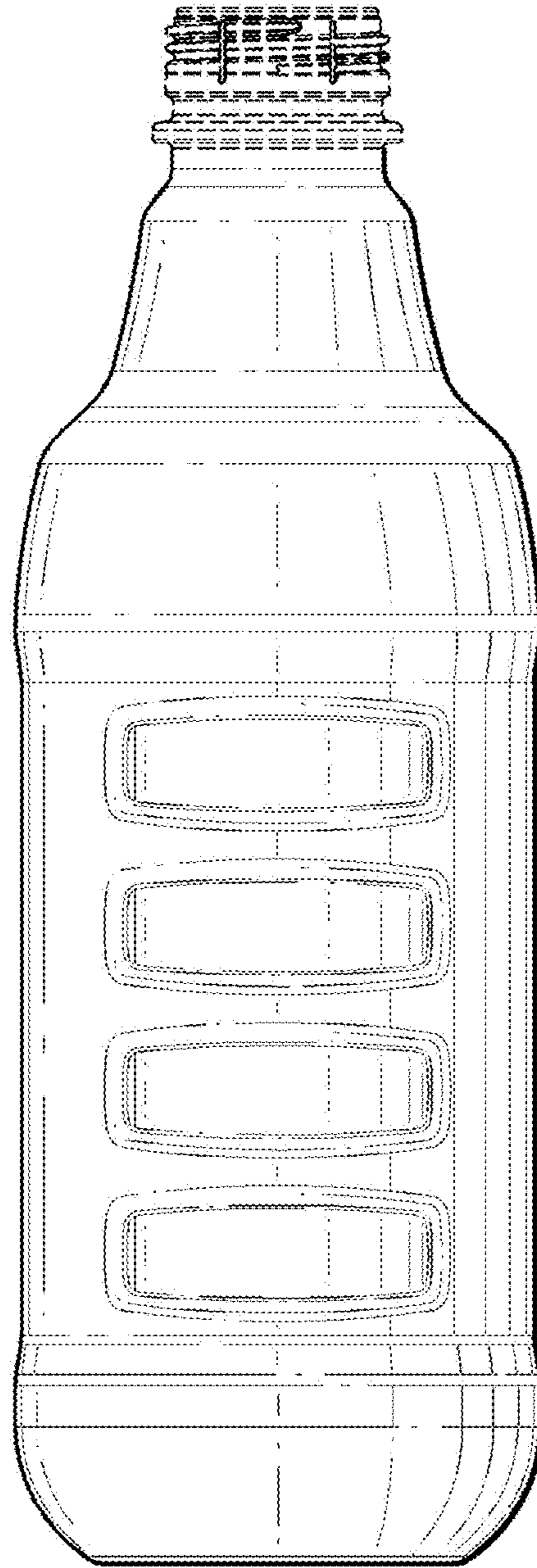




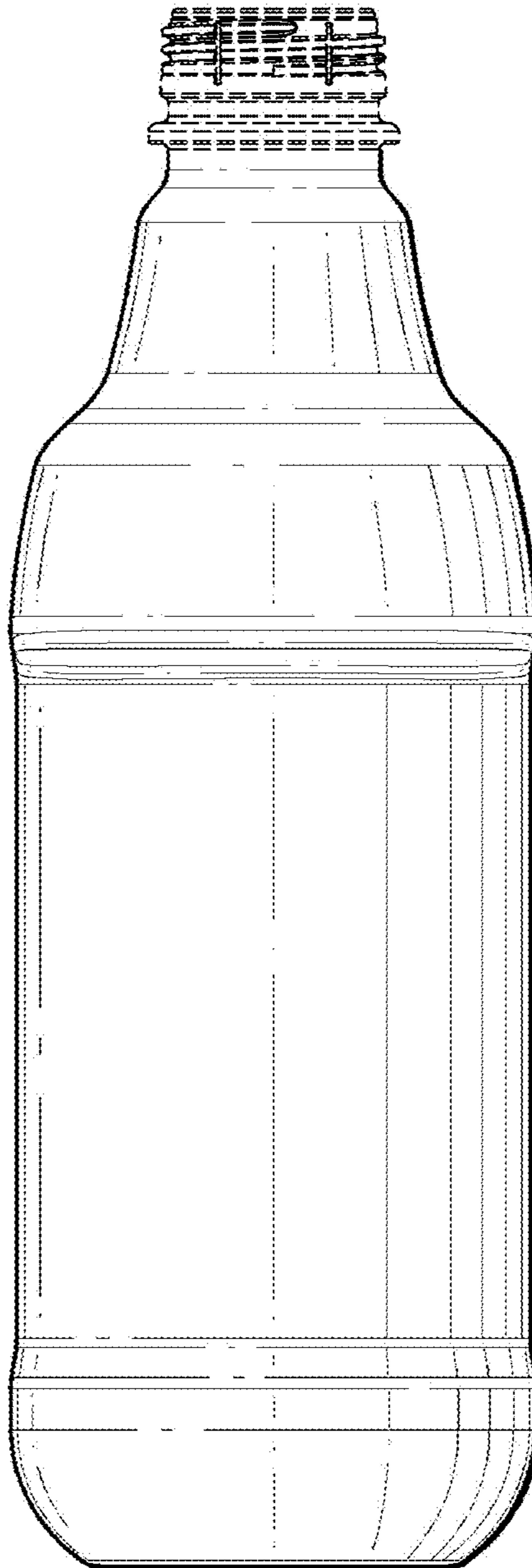
*FIG. 1*



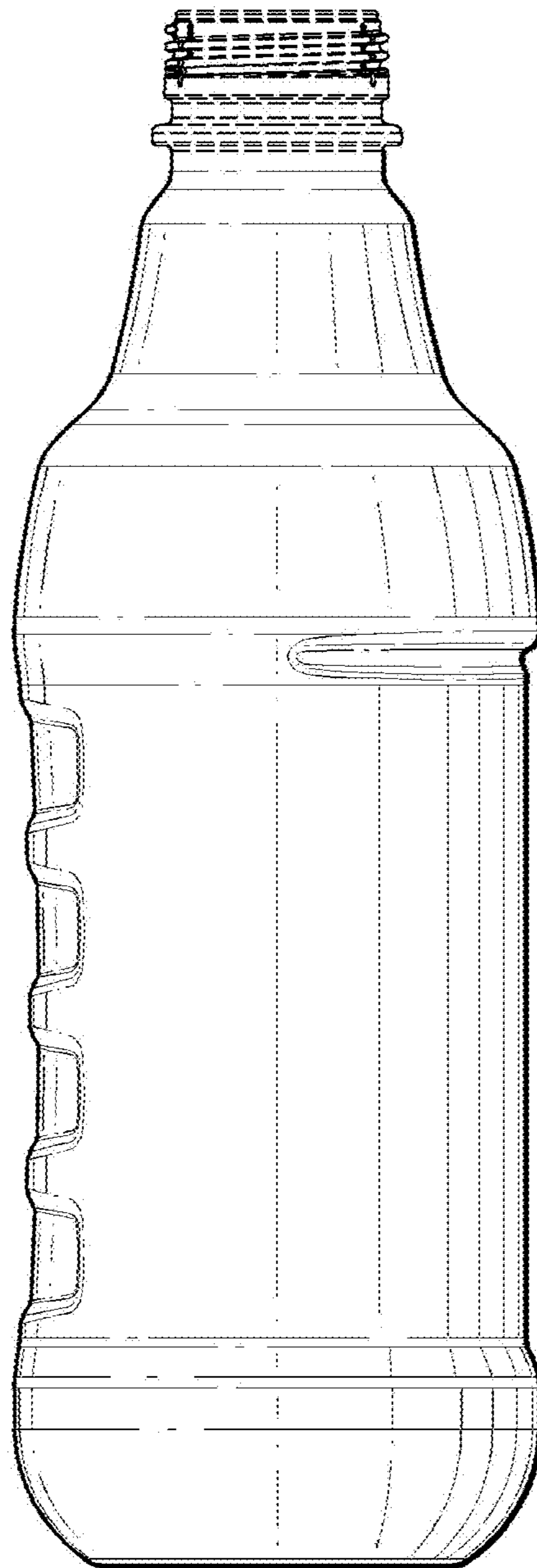
*FIG. 2*



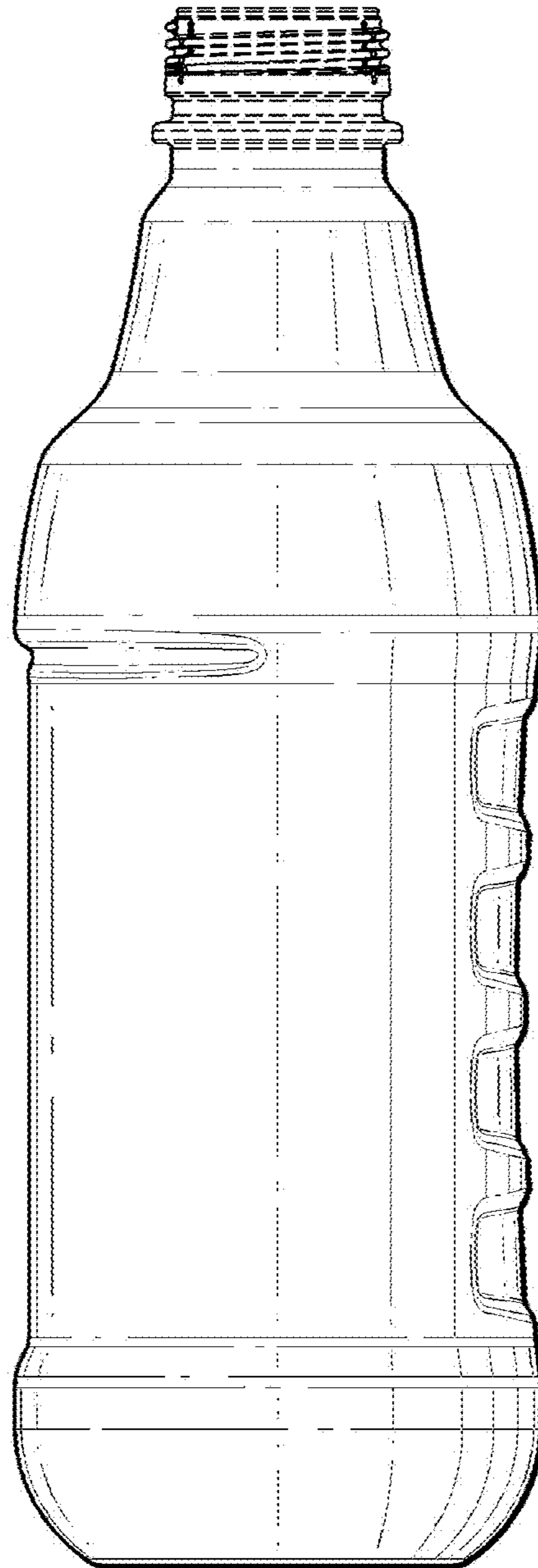
*FIG. 3*



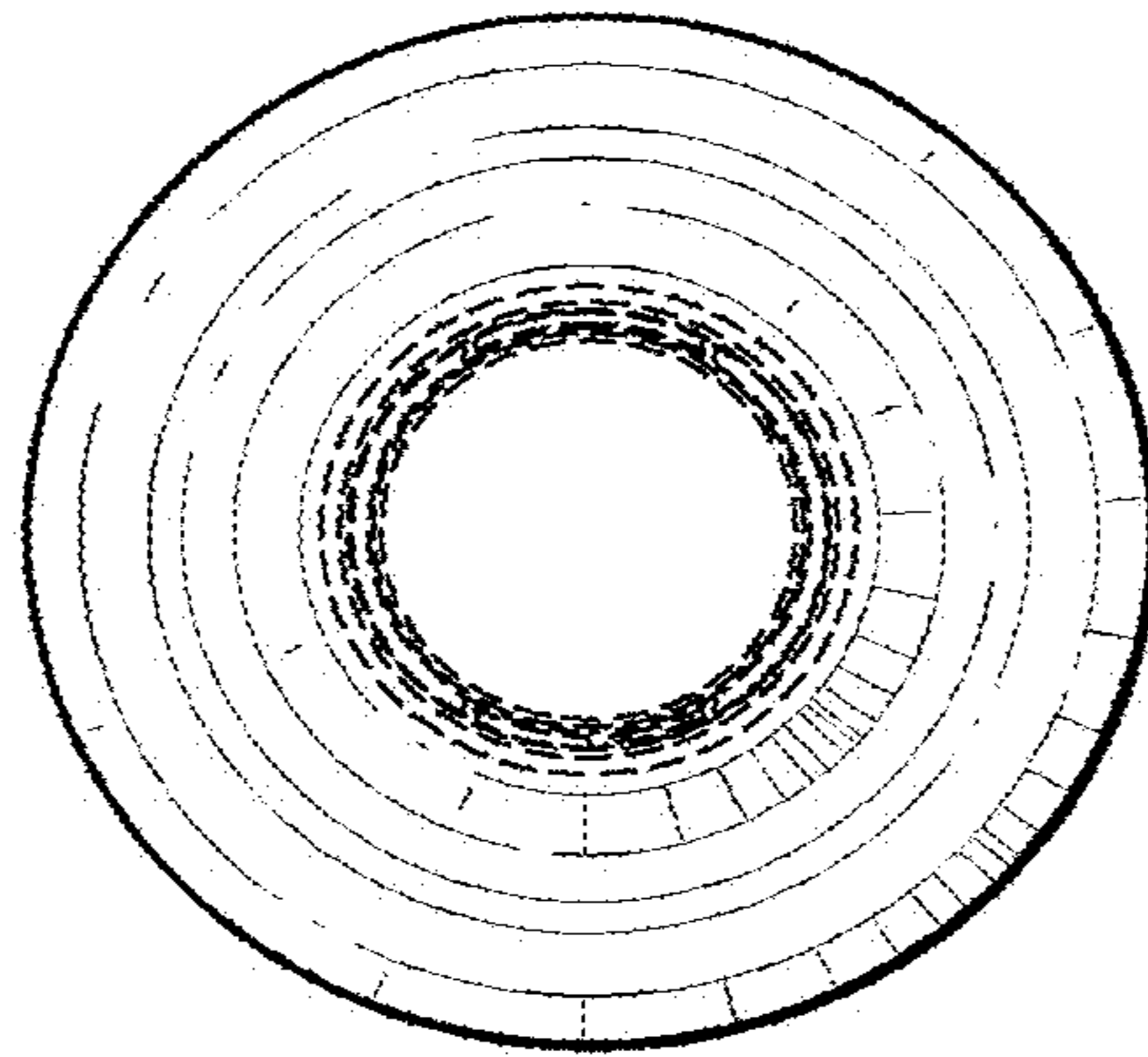
*FIG. 4*



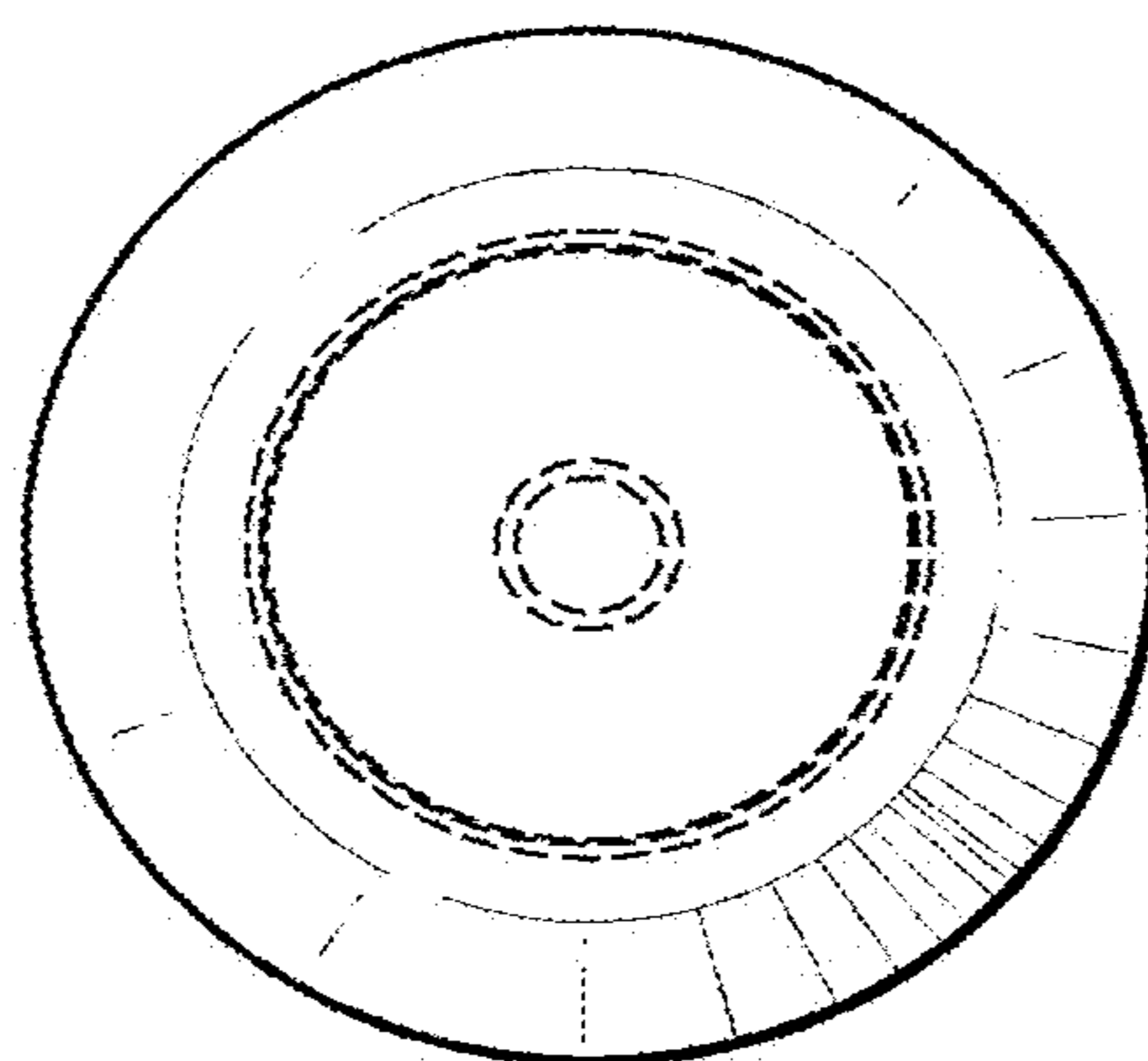
*FIG. 5*



*FIG. 6*

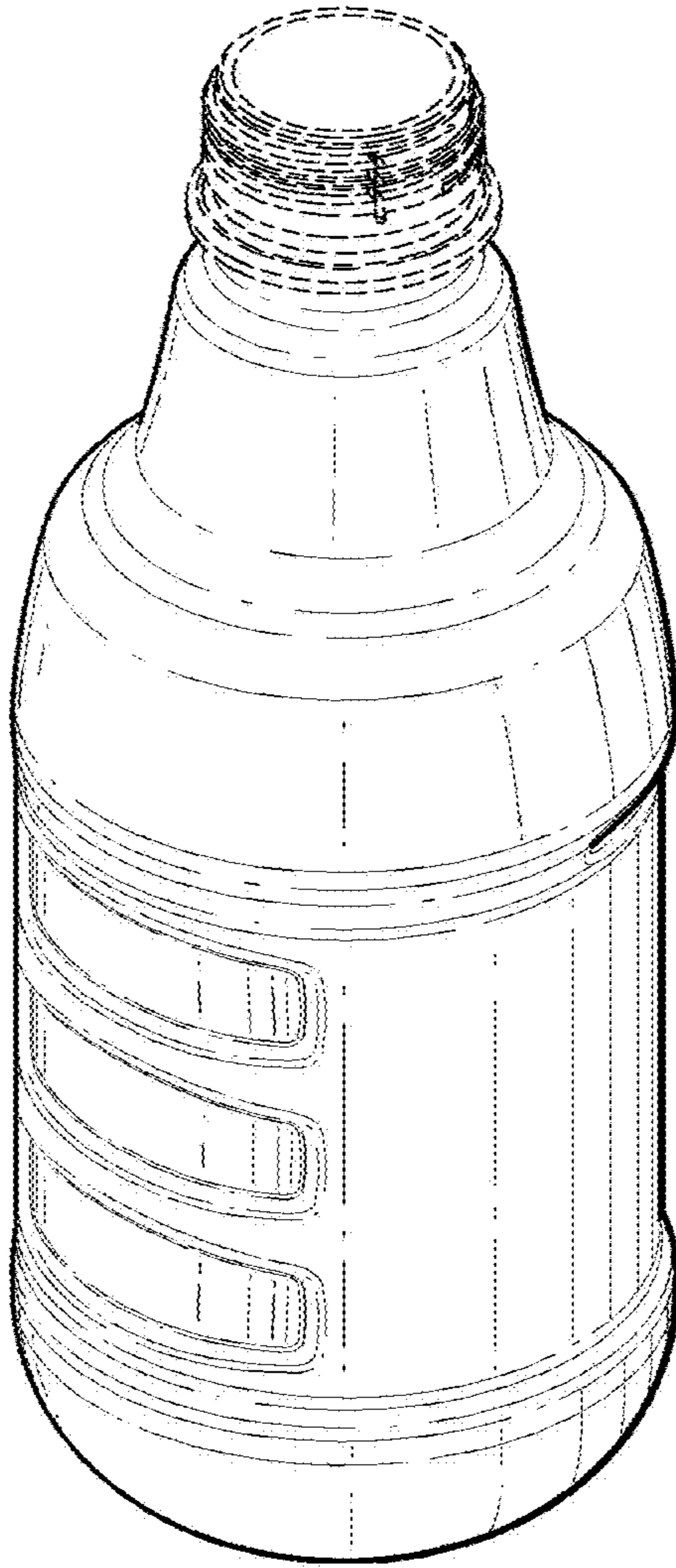


*FIG. 7*

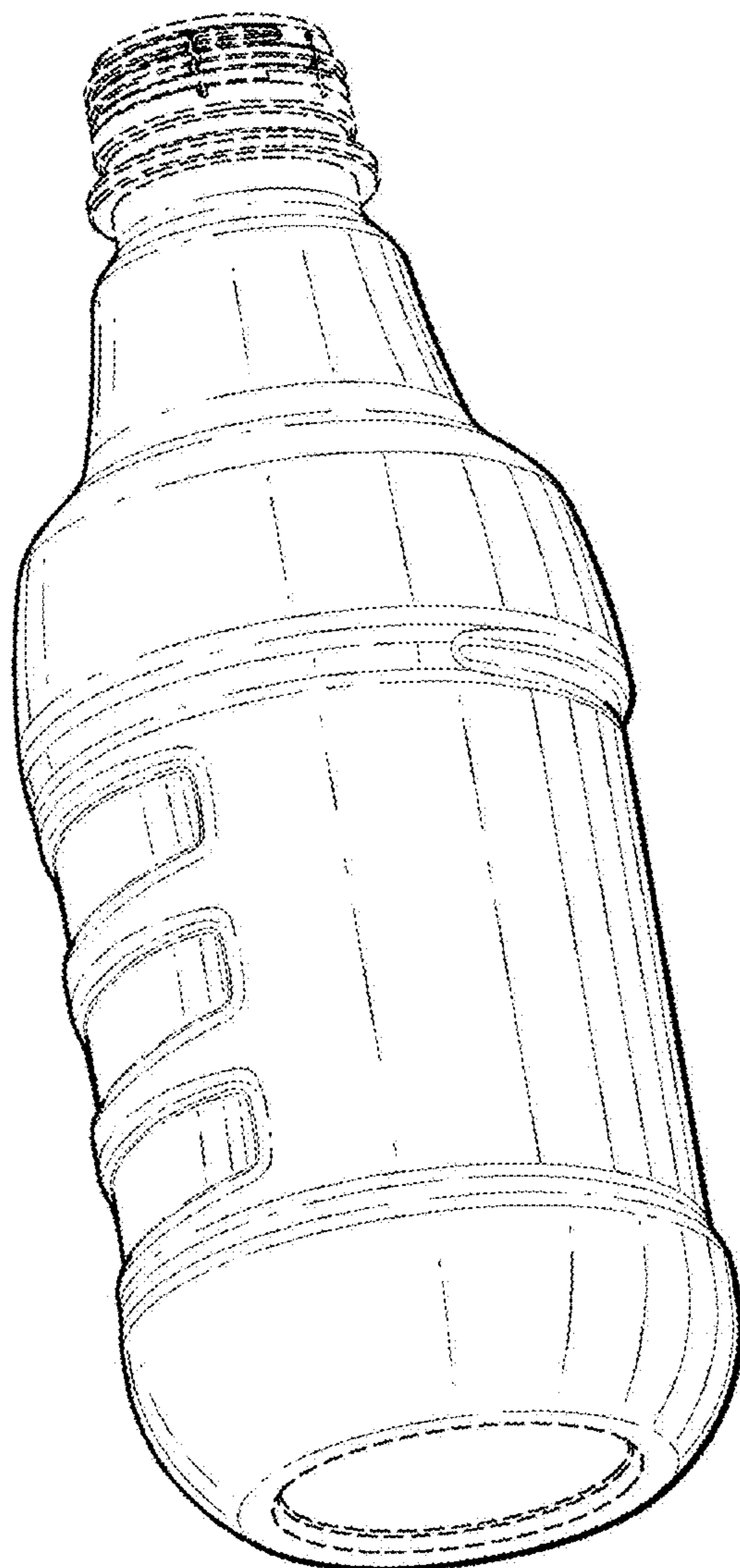


*FIG. 8*

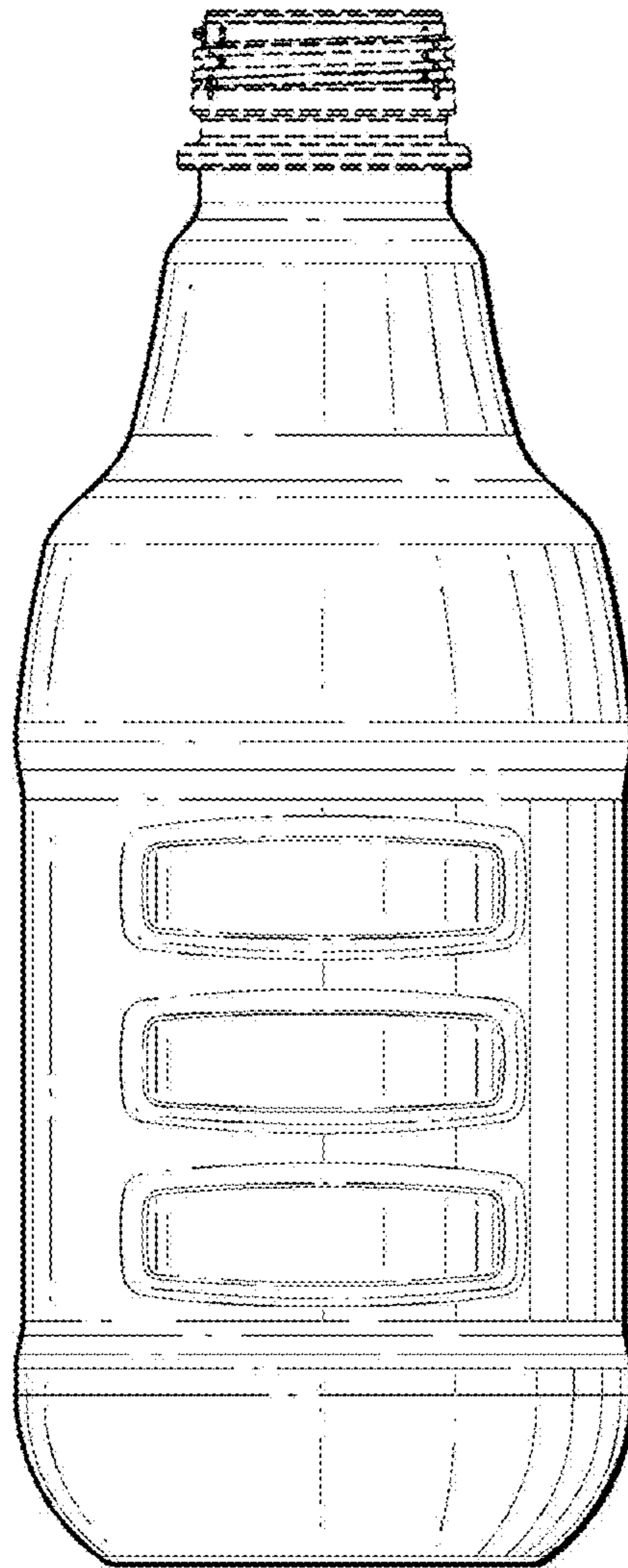




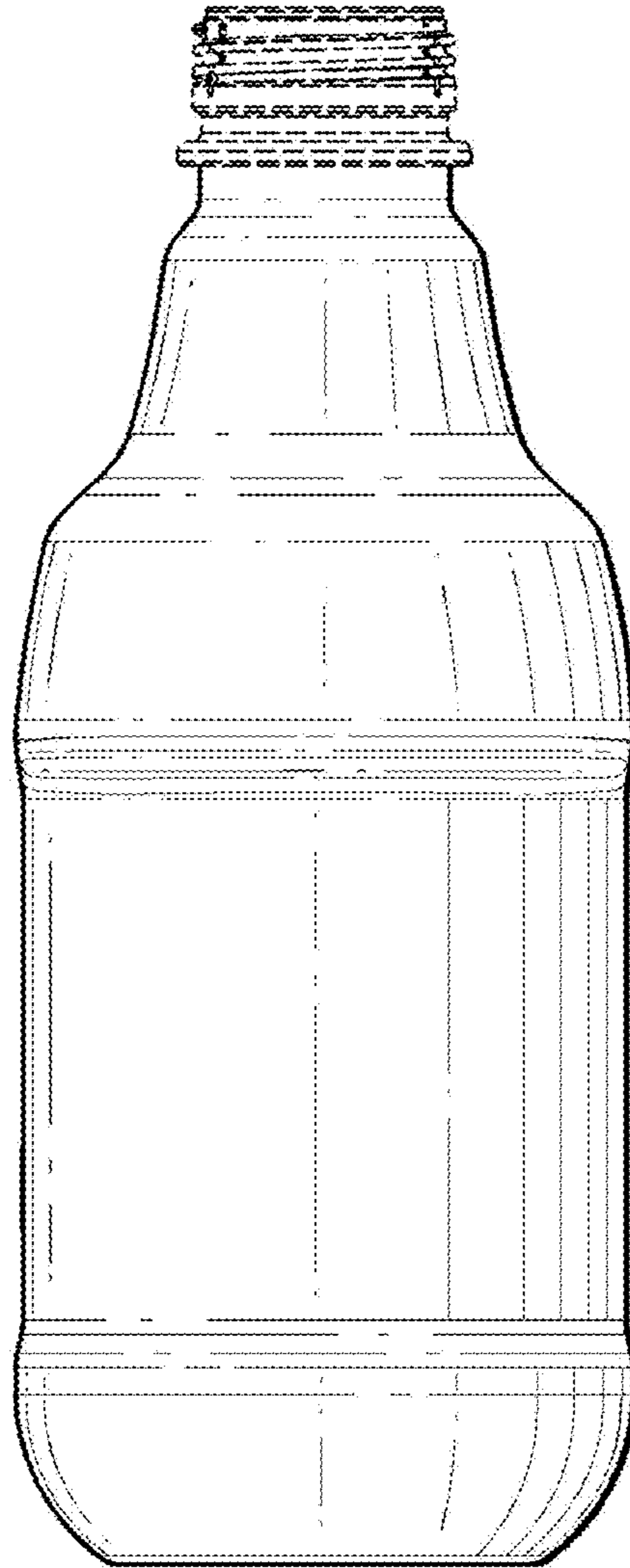
*FIG. 9*



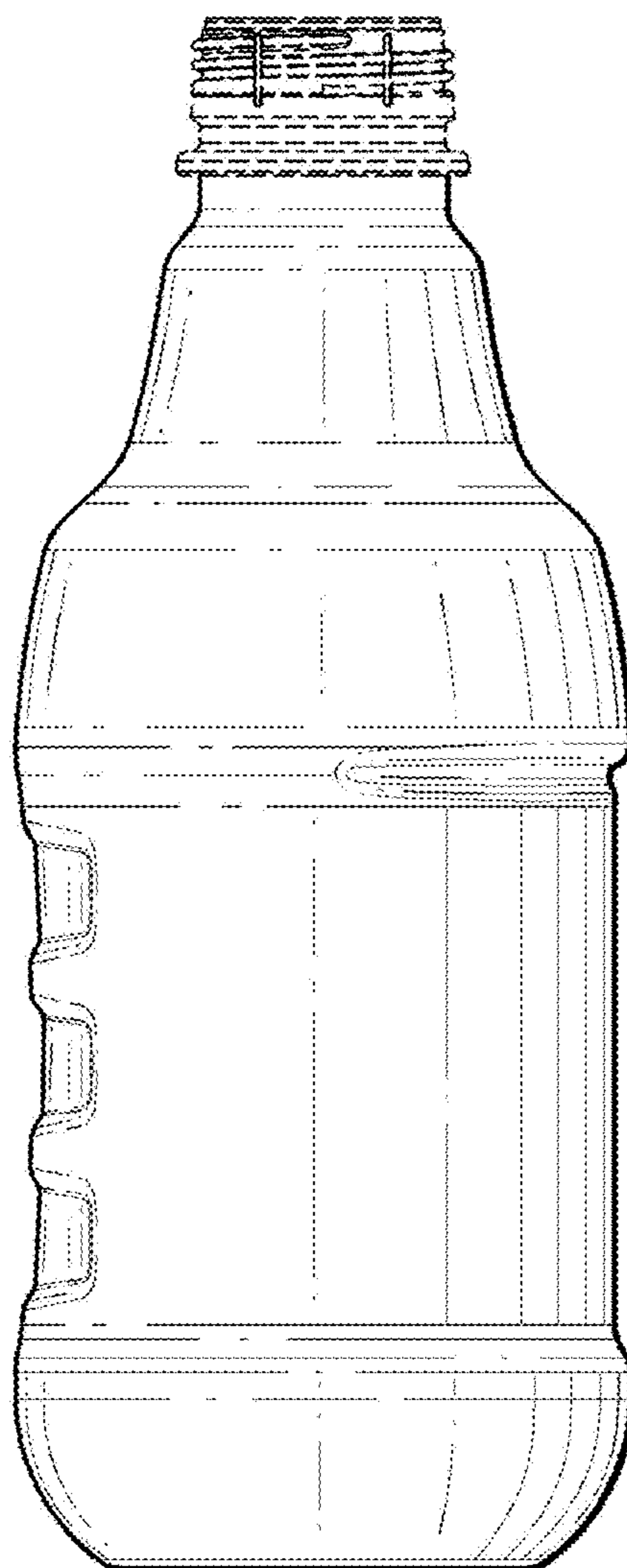
*FIG. 10*



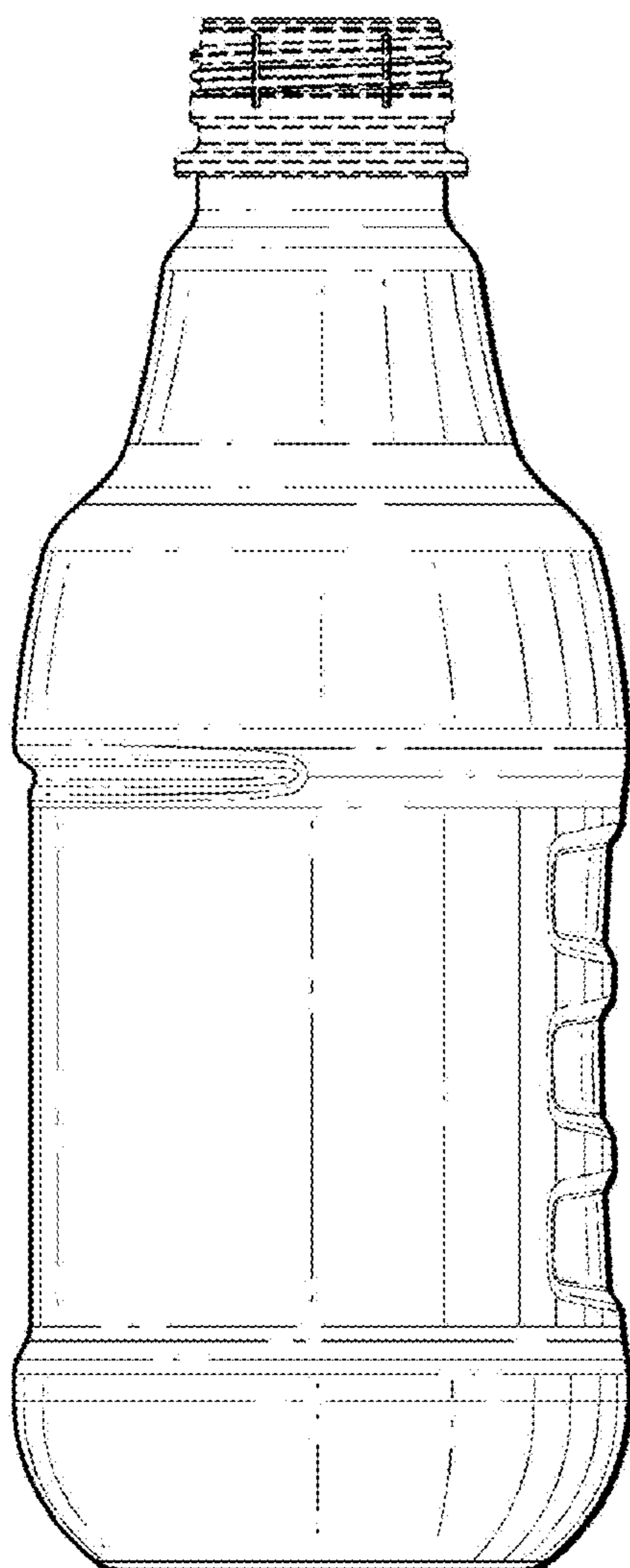
*FIG. 11*



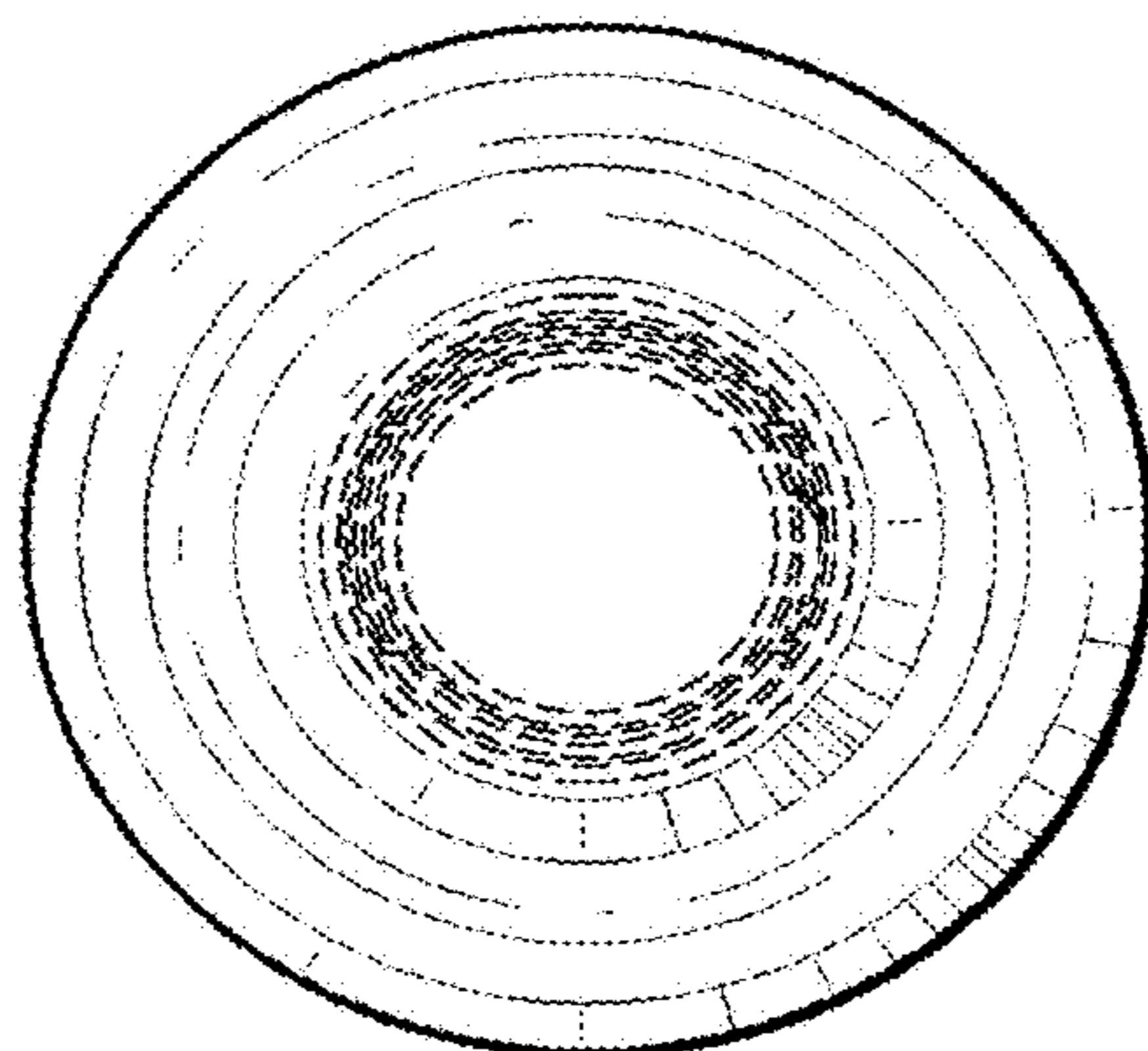
*FIG. 12*



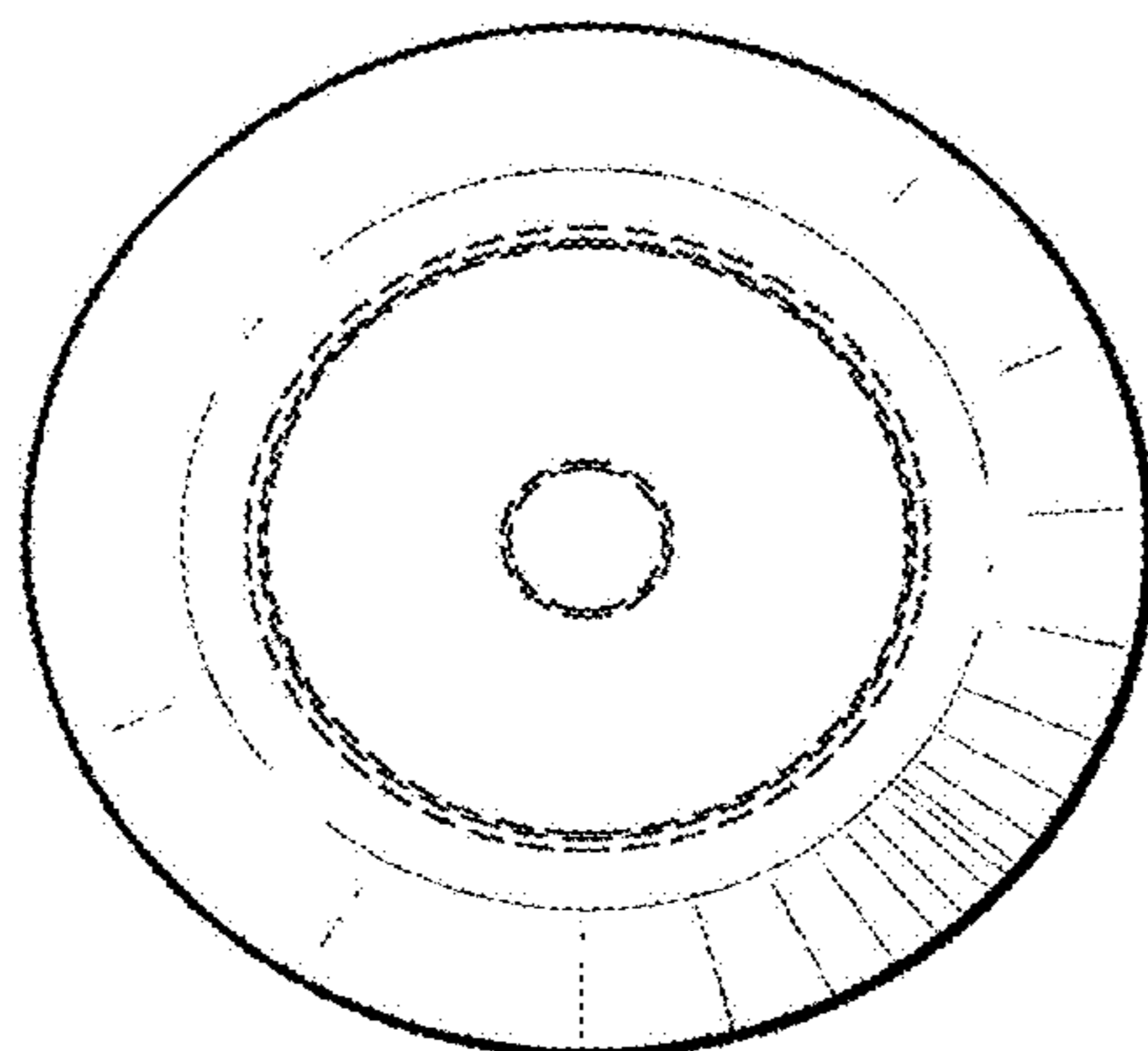
*FIG. 13*



*FIG. 14*



*FIG. 15*



*FIG. 16*