



US00D732964S

(12) **United States Design Patent**
Dyer et al.

(10) **Patent No.:** **US D732,964 S**
(45) **Date of Patent:** **** Jun. 30, 2015**

(54) **CONTAINER AND LID ASSEMBLY**

(71) Applicant: **American Sugar Refining, Inc.**,
Yonkers, NY (US)

(72) Inventors: **W. Richard Dyer**, Boynton Beach, FL
(US); **James T. Krause, II**, Delray
Beach, FL (US)

(73) Assignee: **American Sugar Refining, Inc.**,
Yonkers, NY (US)

(**) Term: **14 Years**

(21) Appl. No.: **29/456,931**

(22) Filed: **Jun. 5, 2013**

(51) **LOC (10) Cl.** **09-01**

(52) **U.S. Cl.**
USPC **D9/529; D7/392.1; D7/510**

(58) **Field of Classification Search**
USPC D3/202, 202.3, 901; D7/300.1, 317,
D7/392.1, 510, 511, 523, 589-612;
D9/432, 500, 516, 523, 529, 530, 542,
D9/549, 550, 551, 556, 563, 569, 574, 655,
D9/658; D19/93; D23/211.1-211.2;
D24/121, 124, 197, 224; D34/7, 11;
220/254.3, 254.4, 326, 719; 422/129
CPC A61J 1/03; A61J 1/05; A47G 19/22;
A47G 19/2205; A47G 19/2266; B65D 1/02;
B65D 1/0223; B65D 1/08; B65D 1/10
See application file for complete search history.

(56) **References Cited**

U.S. PATENT DOCUMENTS

D300,107 S * 3/1989 Trombly D7/317
D349,057 S * 7/1994 Farce D9/523
5,927,535 A 7/1999 Goth 220/254.3
D458,081 S * 6/2002 Bodum D7/510
6,763,964 B1 7/2004 Hurlbut 220/254.3
D502,844 S * 3/2005 Rohe D7/510

D517,761 S * 3/2006 Yang et al. D34/7
D523,340 S * 6/2006 Westphal D9/500
D584,107 S * 1/2009 George D7/510

(Continued)

OTHER PUBLICATIONS

International Search Report and Written Report dated Jul. 11, 2014
for International Patent Application No. PCT/US14/40802, which
was filed on Jun. 4, 2014 (1st Named Inventor—Dyer; Applicant—
American Sugar Refining, Inc.; (14 pages).

(Continued)

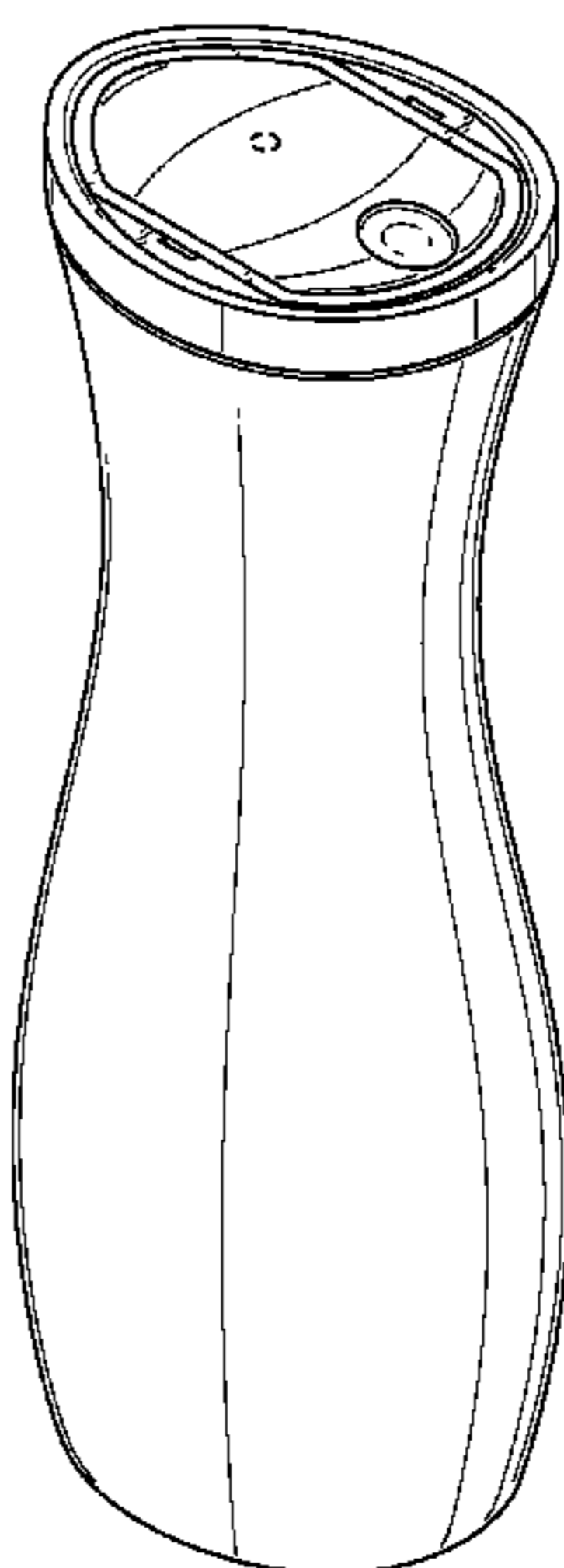
Primary Examiner — Cathron Brooks
Assistant Examiner — Catherine Posthauer
(74) *Attorney, Agent, or Firm* — Ballard Spahr LLP

(57) **CLAIM**
The ornamental design for a container and lid assembly, as
shown and described.

DESCRIPTION

FIG. 1 is a perspective view of a container and lid assembly of
the present invention, showing a container, a lid and a cover;
FIG. 2 is a front elevational view of the container and lid
assembly of FIG. 1;
FIG. 3 is a rear elevational view of the container and lid
assembly of FIG. 1;
FIG. 4 is a left side elevational view of the container and lid
assembly of FIG. 1;
FIG. 5 is a right side elevational view of the container and lid
assembly of FIG. 1;
FIG. 6 is a top elevational view of the container and lid
assembly of FIG. 1; and,
FIG. 7 is a bottom elevational view of the container and lid
assembly of FIG. 1.
The evenly broken lines are shown to indicate portions of the
container and lid assembly and form no part of the claimed
design. The dash-dot-dash lines define the bounds of the
claimed design and form no part thereof.

1 Claim, 4 Drawing Sheets



(56)

References Cited

U.S. PATENT DOCUMENTS

D589,670 S * 3/2009 Smeets D34/7
 7,594,588 B2 9/2009 Auer 220/254.3
 7,595,029 B2 9/2009 Welp 422/129
 D604,922 S * 11/2009 Smeets D34/7
 D640,505 S * 6/2011 George D7/510
 7,959,029 B2 6/2011 Whitaker 220/719
 D648,599 S * 11/2011 Watanabe et al. D7/523
 D654,319 S * 2/2012 Myers D7/523
 D666,052 S * 8/2012 Trombly D7/392.1
 D669,735 S * 10/2012 Wong D7/510
 8,276,776 B2 10/2012 Roth 220/254.3
 D676,280 S * 2/2013 Wong D7/510
 D677,122 S * 3/2013 Liu D7/510
 D692,277 S * 10/2013 Smiedt et al. D7/510
 D702,086 S * 4/2014 Thurlow D7/510

D717,115 S * 11/2014 Lane et al. D7/511
 8,936,170 B2 * 1/2015 Dyer et al. 220/254.3
 2010/0213221 A1 8/2010 Vogel 222/505
 2012/0241453 A1 9/2012 Palmer 220/254.3

OTHER PUBLICATIONS

Amendment in Response to Non Final Office Action submitted Aug. 25, 2014 for U.S. Appl. No. 13/910,820, filed Jun. 5, 2013 (1st Named Inventor—Dyer; Applicant—American Sugar Refining, Inc.; (22 pages).

Non Final Office Action issued May 23, 2014 for U.S. Appl. No. 13/910,820, filed Jun. 5, 2013 (First Named Inventor—Dyer; Applicant—American Sugar Refining, Inc.; (23 pages).

U.S. Appl. No. 13/910,820, filed Jun. 5, 2013, Dyer (American Sugar Refining, Inc.).

* cited by examiner



FIG. 1



FIG. 2



FIG. 3



FIG. 4



FIG. 5

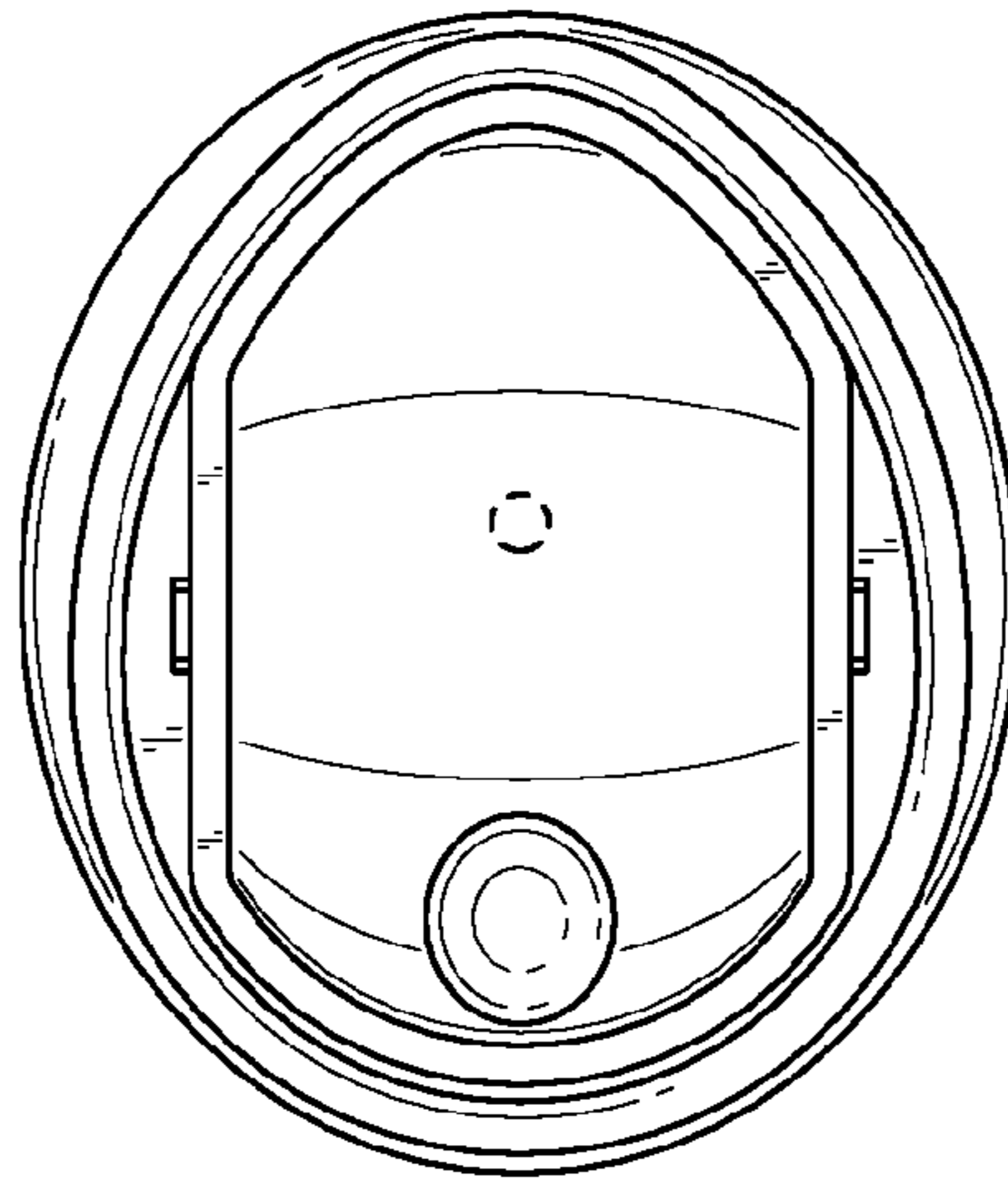


FIG. 6

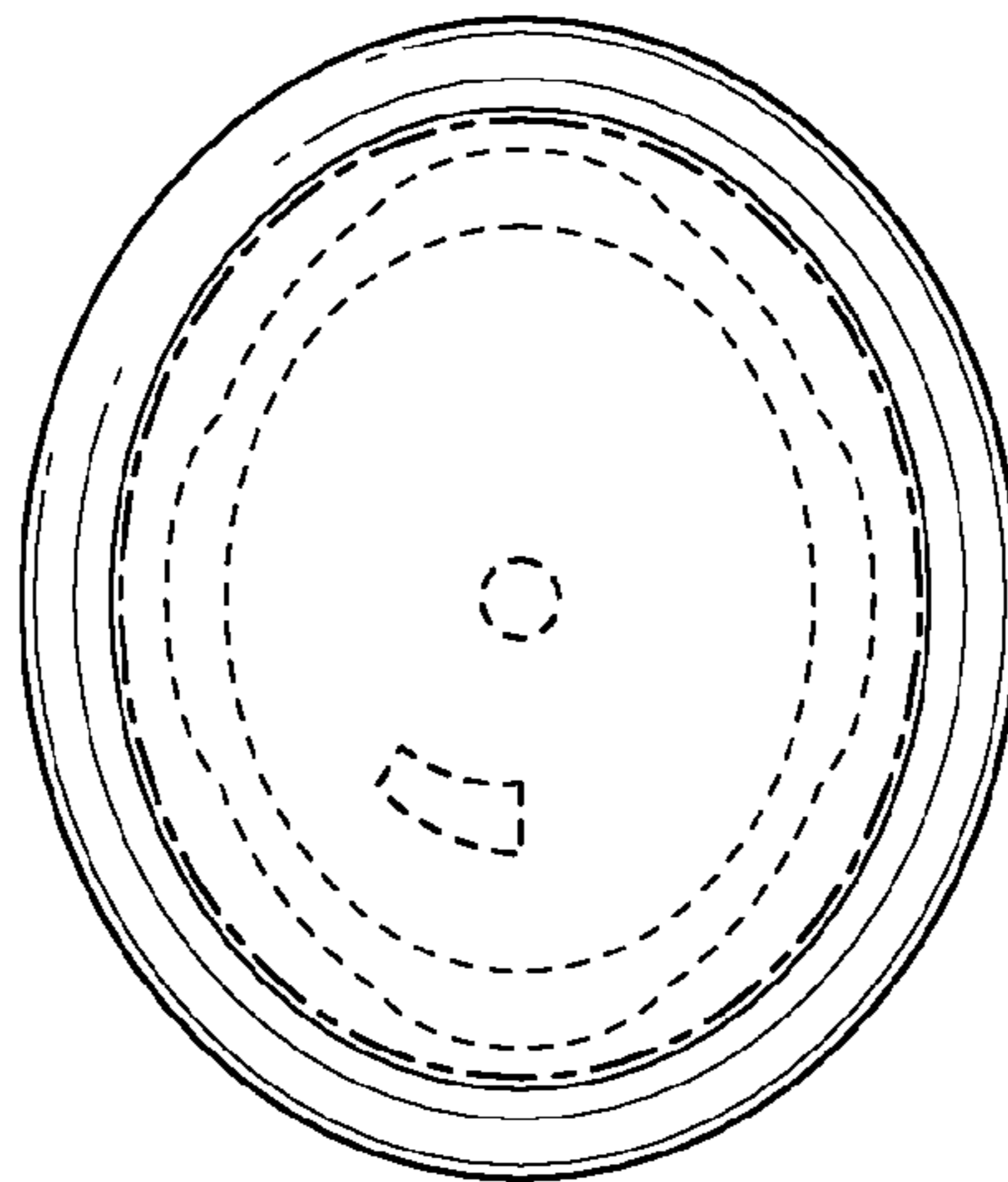


FIG. 7