



US00D732958S

(12) **United States Design Patent**
Peneda

(10) **Patent No.:** **US D732,958 S**

(45) **Date of Patent:** **** Jun. 30, 2015**

(54) **DISPENSING CAP**

(71) Applicant: **GEPACK-EMPRESA TRANSFORMADORA DE PLÁSTICOS S/A., Aveiras de Cima (PT)**

(72) Inventor: **Celso Rui Moreira Almeida Peneda, Lisboa (PT)**

(73) Assignee: **GEPACK—EMPRESA TRANSFORMADORA DE PLASTICOS S/A, Aveiras de Cima (PT)**

(**) Term: **14 Years**

(21) Appl. No.: **29/477,146**

(22) Filed: **Dec. 19, 2013**

(51) **LOC (10) Cl.** **09-07**

(52) **U.S. Cl.**
USPC **D9/449**

(58) **Field of Classification Search**
USPC D6/542–545; D7/300, 321, 392.1, D7/396.2, 500, 507, 509, 510, 511, 900; D9/434–449, 452–455, 682, 685, 741, D9/747; 215/200, 235, 236, 252, 259, 329, 215/355–364; 220/200, 220, 254.1, 254.4, 220/556, 703, 704, 705; D28/4, 76, 88, 89, D28/82, 91.1; 222/480, 556

See application file for complete search history.

(56) **References Cited**

U.S. PATENT DOCUMENTS

D272,807	S	*	2/1984	Ruhl	D9/449
D278,602	S	*	4/1985	Rosenstein	D9/449
D305,206	S	*	12/1989	Hickman et al.	D9/449
5,507,419	A	*	4/1996	Martin et al.	222/480
D450,584	S	*	11/2001	Schmit et al.	D9/447
6,341,720	B1	*	1/2002	Schmit et al.	222/480

7,007,830	B2	*	3/2006	Parve et al.	222/556
D603,703	S	*	11/2009	Daggett	D9/449
D682,608	S	*	5/2013	Audette	D7/392
8,550,313	B2	*	10/2013	Daggett	222/480
2003/0111495	A1	*	6/2003	Parve et al.	222/556
2004/0089678	A1	*	5/2004	Martin	222/556
2008/0257918	A1	*	10/2008	Vogel et al.	222/480

* cited by examiner

Primary Examiner — Robert M Spear

Assistant Examiner — Marissa J Cash

(74) *Attorney, Agent, or Firm* — Stites & Harbison PLLC; Cong Ding

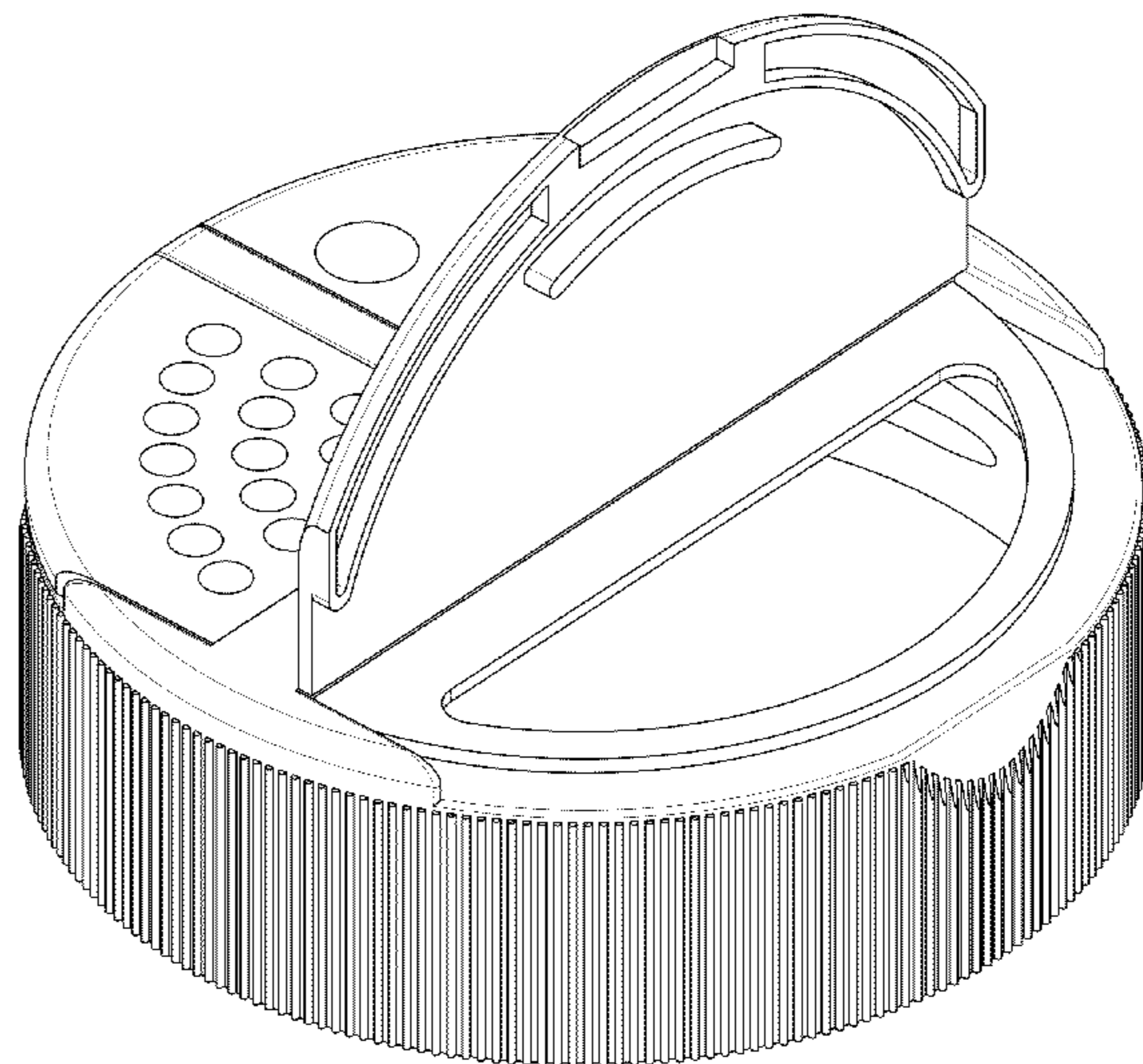
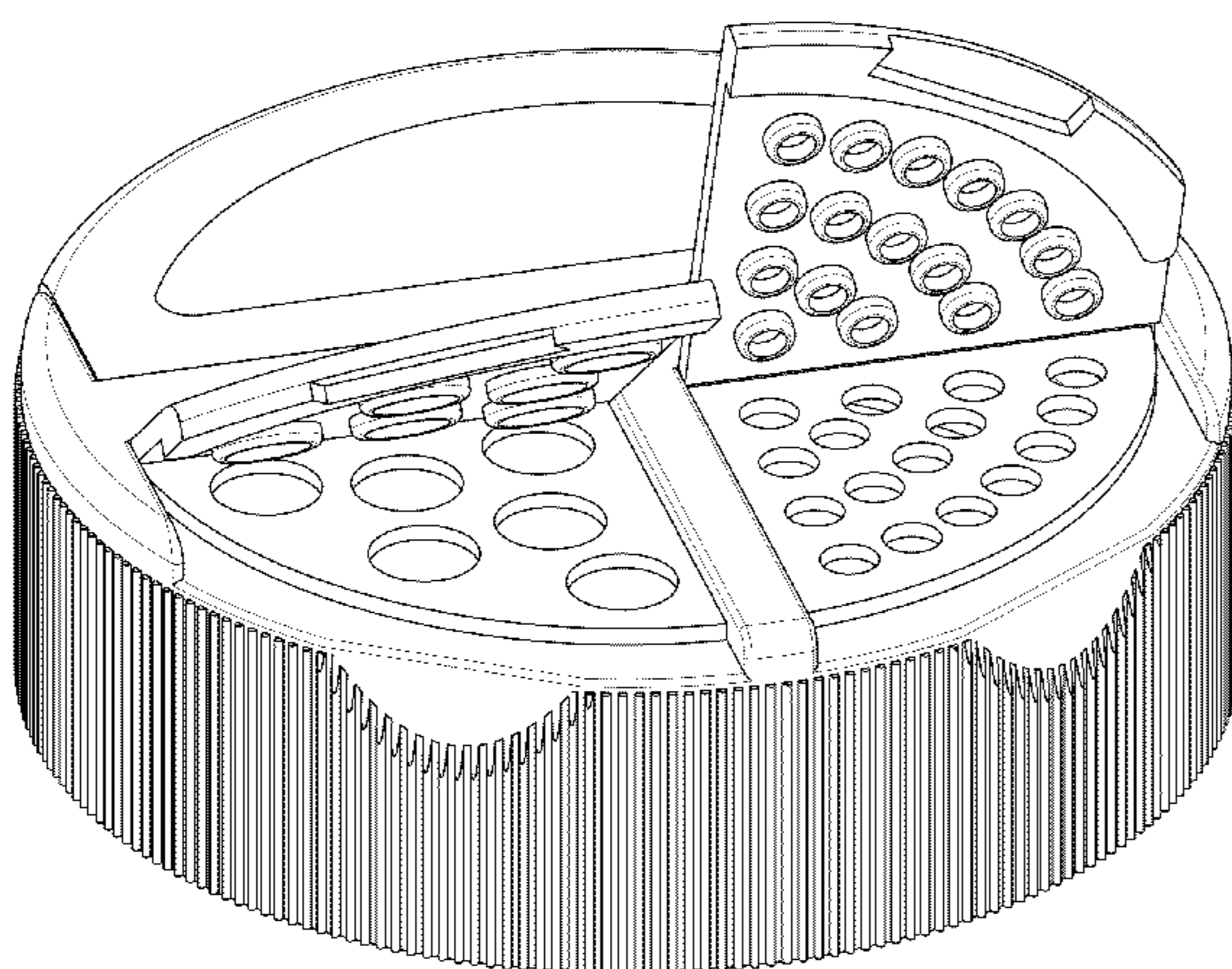
(57) **CLAIM**

The ornamental design for a dispensing cap, as shown and described.

DESCRIPTION

FIG. 1 is a front elevational view of a dispensing cap.
 FIG. 2 is a back elevational view of the dispensing cap.
 FIG. 3 is a top plan view of the dispensing cap, wherein the lids are shown in closed position.
 FIG. 4 is a bottom plan view of the dispensing cap, wherein the lids are shown in closed position.
 FIG. 5 is a bottom plan view of the dispensing cap, wherein the lids are shown in open position.
 FIG. 6 is a perspective view from bottom and to the front of the dispensing cap, wherein the lids are shown in open position.
 FIG. 7 is a perspective view from above and to the front and right of the dispensing cap, wherein the two lids on the front are shown in open position, and wherein the lid in the back is shown in closed position; and,
 FIG. 8 is a perspective view from above and to the rear and left of the dispensing cap, wherein the lid in the back is shown in open position, and wherein the two lids on the front are shown in closed position.

1 Claim, 8 Drawing Sheets



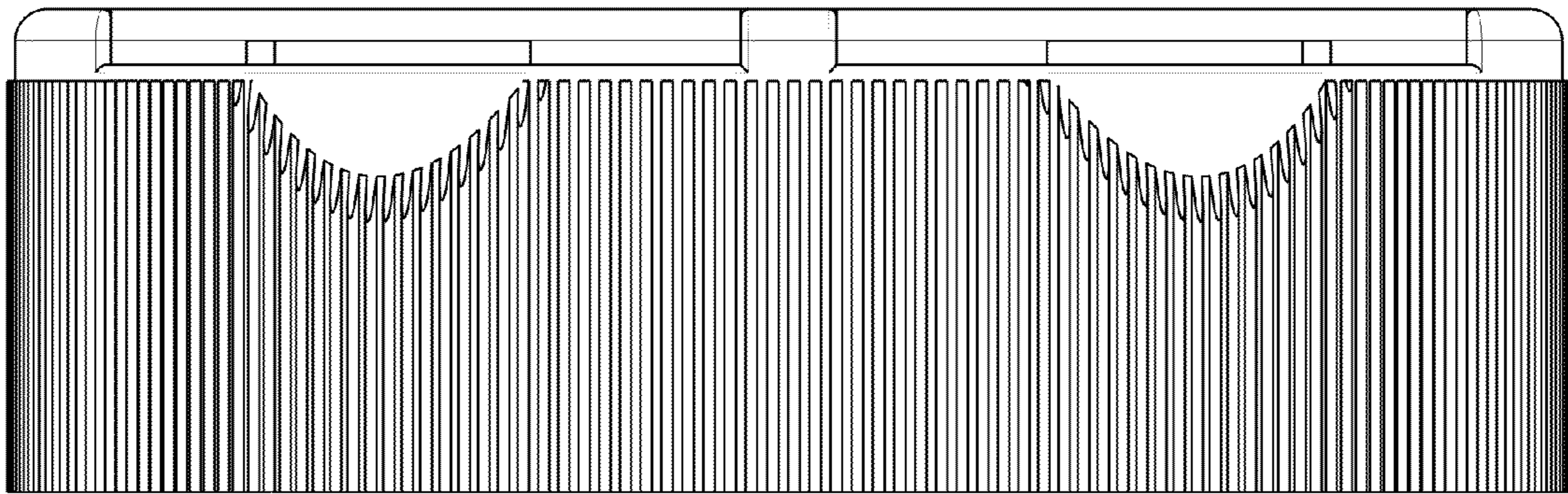


FIG. 1

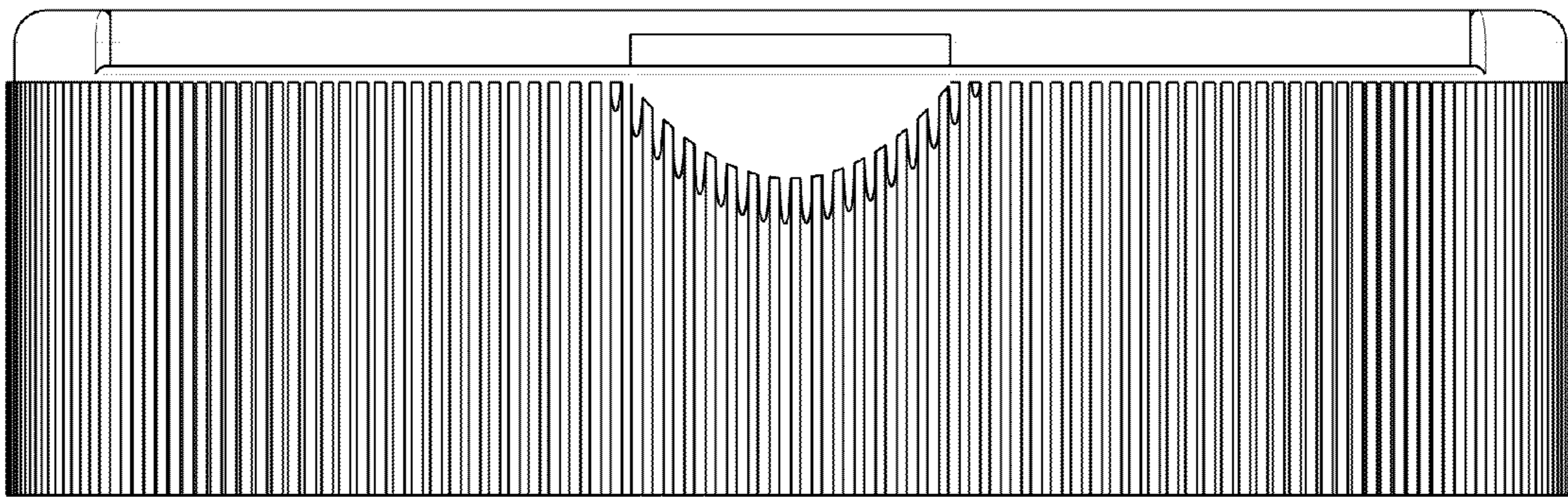


FIG. 2

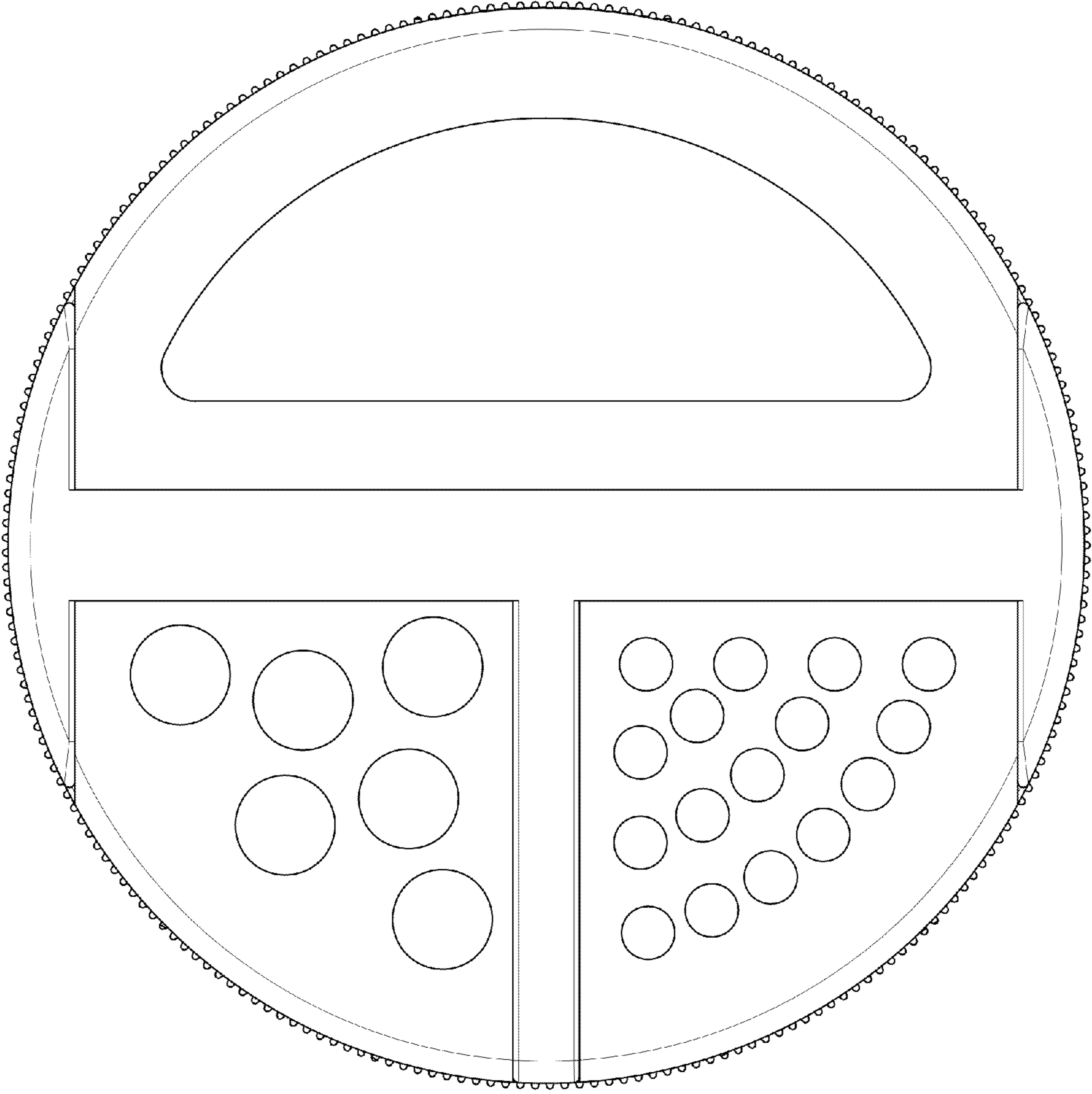


FIG. 3

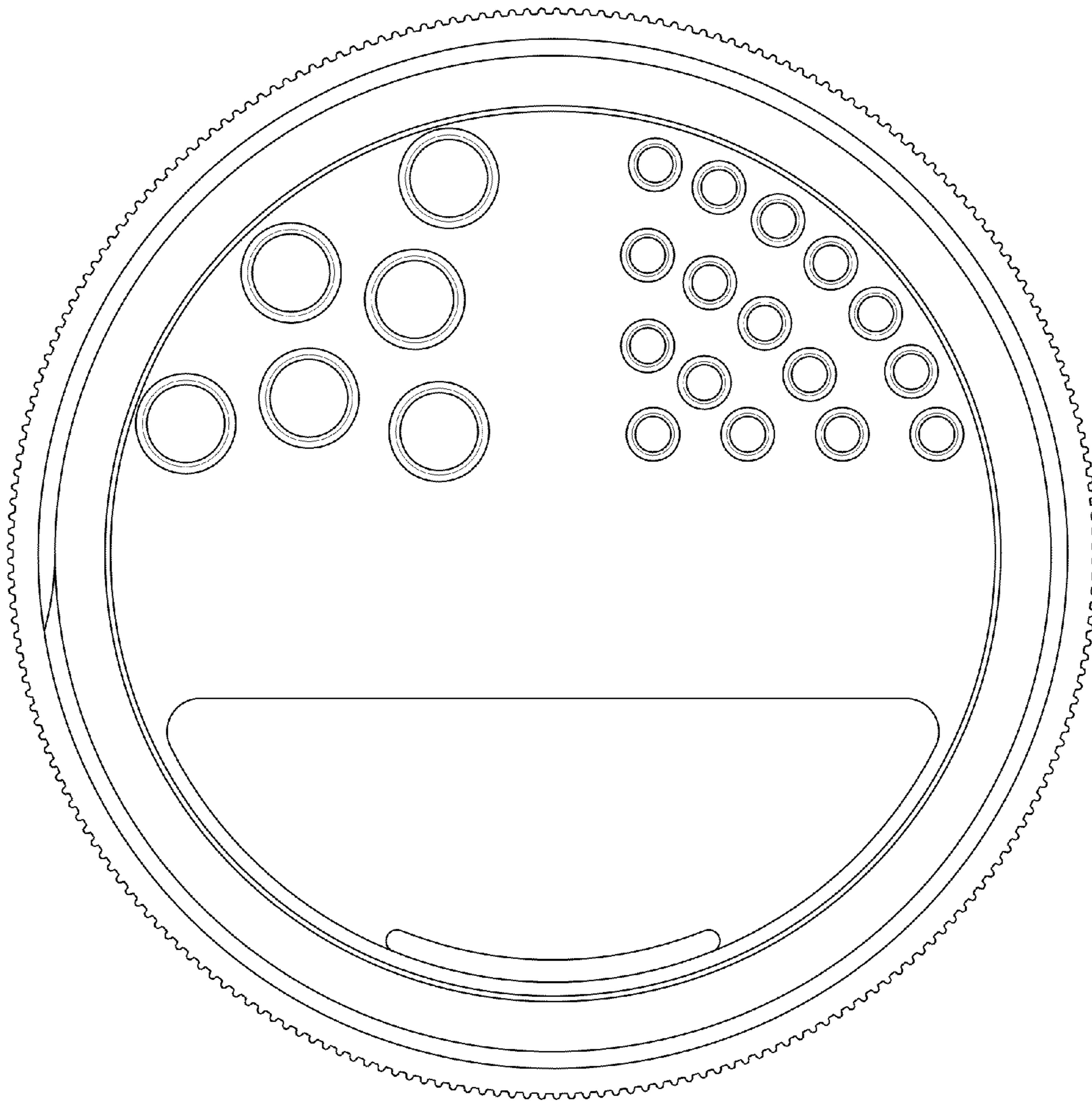


FIG. 4

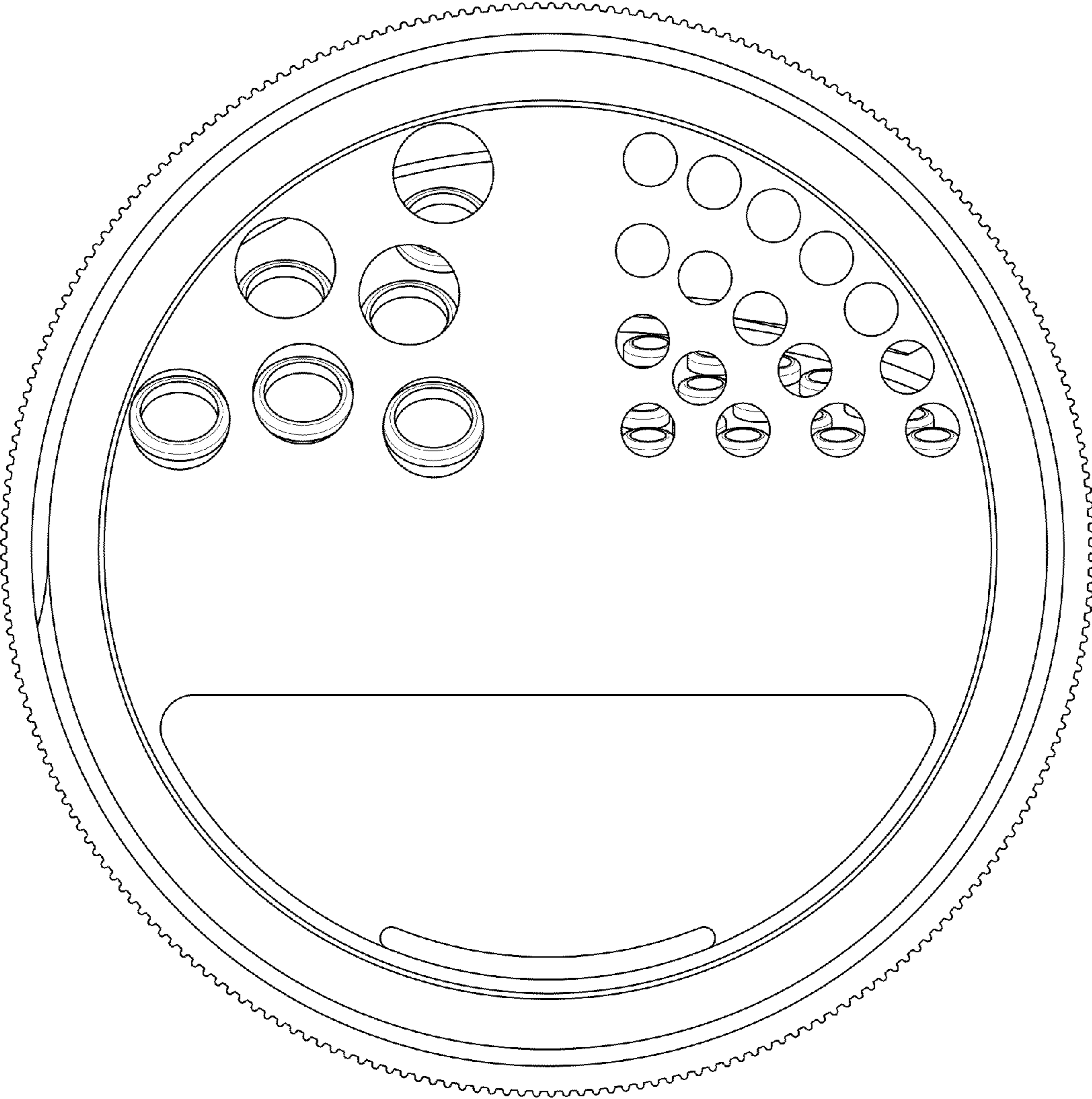


FIG. 5

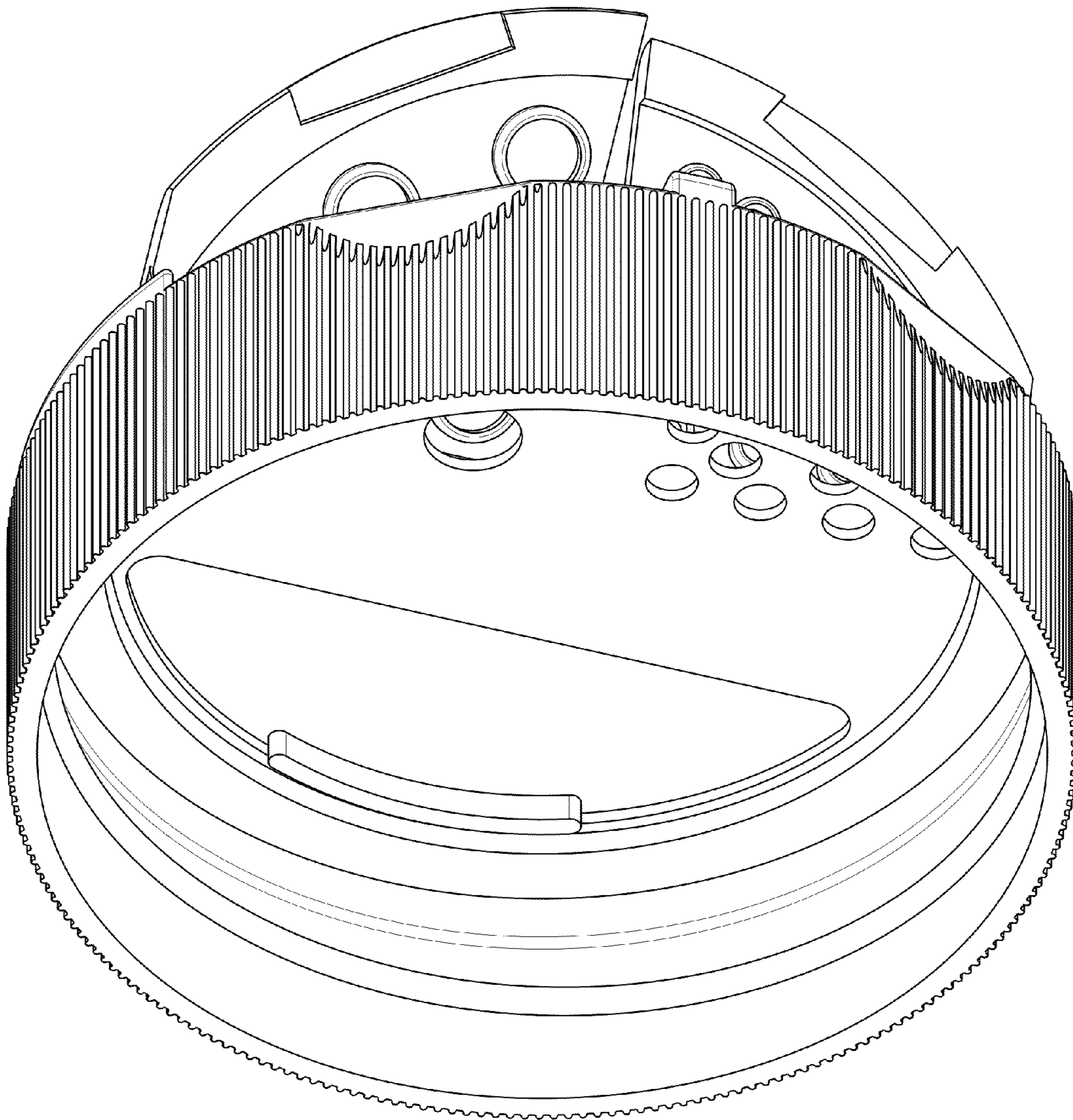


FIG. 6

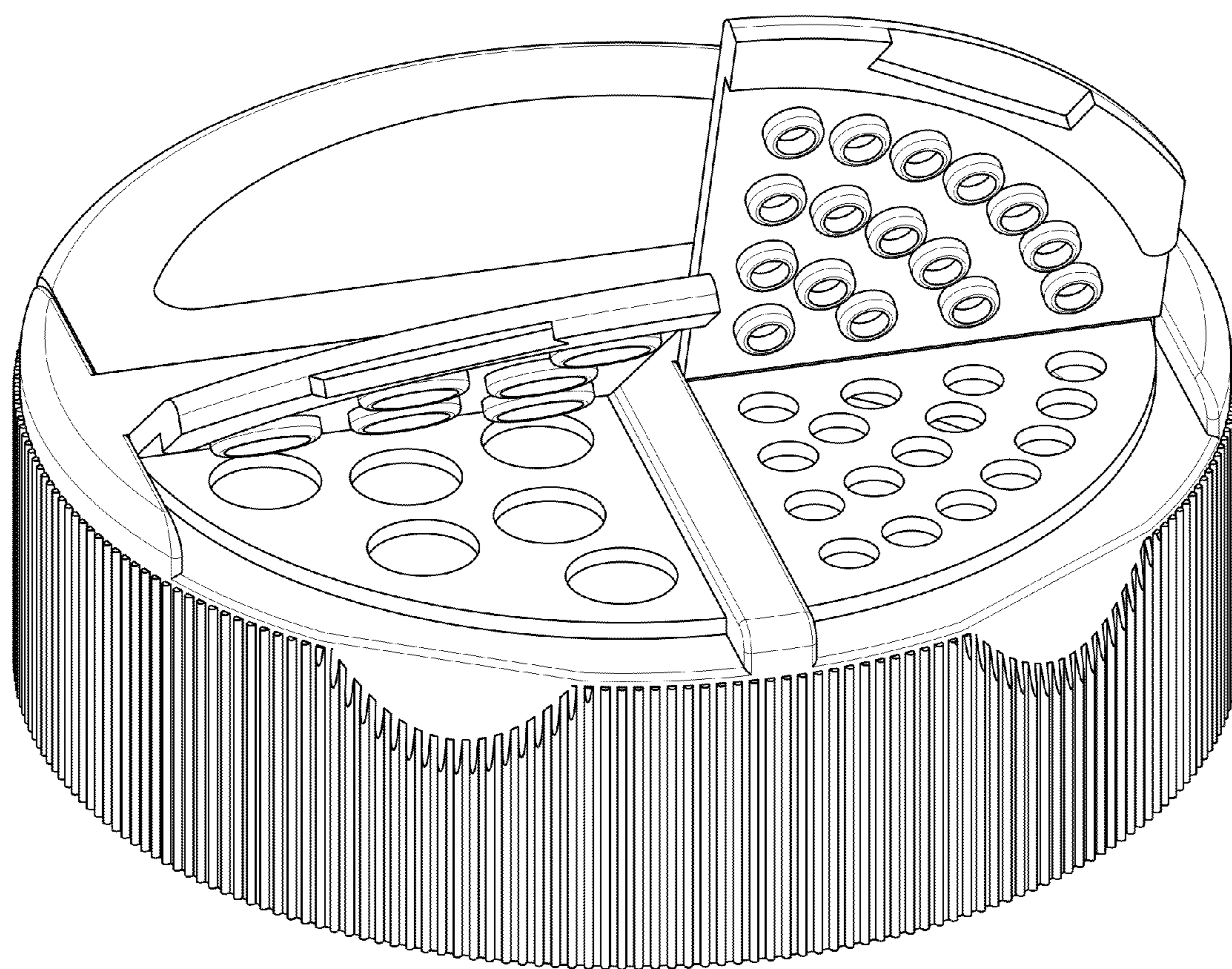


FIG. 7

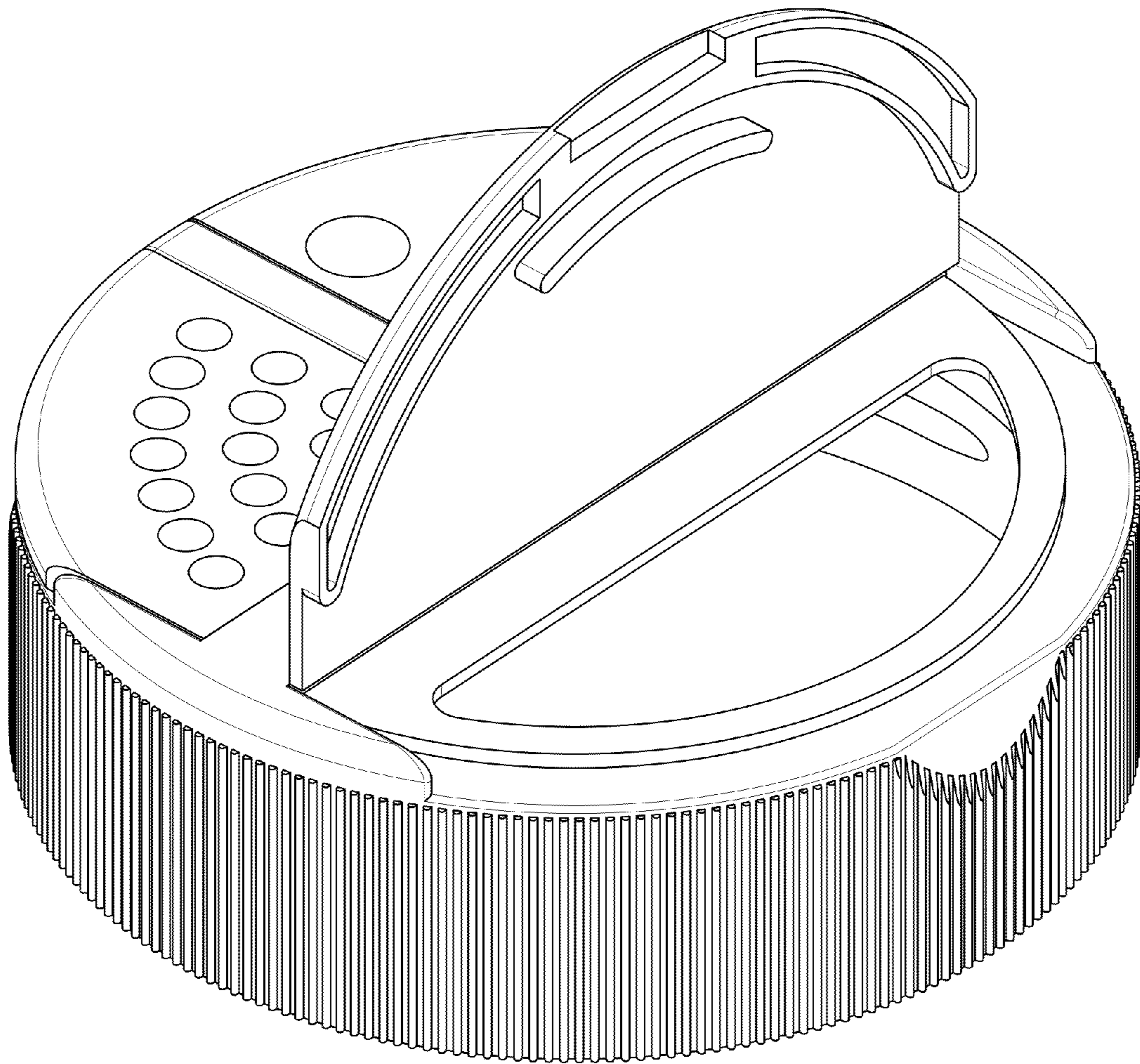


FIG. 8