

US00D732957S

(12) **United States Design Patent**
Fox

(10) **Patent No.:** **US D732,957 S**
(45) **Date of Patent:** **** Jun. 30, 2015**

- (54) **CLOSURE FOR PACKAGING**
- (71) Applicant: **Obrist Closures Switzerland GmbH**,
Reinach (CH)
- (72) Inventor: **Jamie Fox**, Norwich (GB)
- (73) Assignee: **Obrist Closures Switzerland GmbH**,
Reinach (CH)
- (**) Term: **14 Years**
- (21) Appl. No.: **29/470,173**
- (22) Filed: **Oct. 17, 2013**
- (30) **Foreign Application Priority Data**
Apr. 17, 2013 (EP) 1368708-0004
- (51) **LOC (10) Cl.** **09-07**
- (52) **U.S. Cl.**
USPC **D9/447**
- (58) **Field of Classification Search**
USPC D3/318; D7/387, 396.1, 511;
D9/434-436, 440, 443, 444, 447,
D9/452-454, 499; 222/185.1, 464.1, 547,
222/569, 570
CPC B65D 47/06; B65D 25/48
See application file for complete search history.

- (56) **References Cited**
U.S. PATENT DOCUMENTS
D363,665 S * 10/1995 Goto et al. D9/434
D415,027 S * 10/1999 Blazar D9/447
D417,847 S * 12/1999 Rush et al. D9/454
D562,683 S * 2/2008 Sweeton et al. D9/454
D604,612 S * 11/2009 Germann D9/453
D627,216 S * 11/2010 Fulginiti D8/499
8,091,746 B2 * 1/2012 Gotler 222/569

- D679,940 S * 4/2013 Paige et al. D7/392.1
- D682,688 S * 5/2013 Murray D9/435
- D716,653 S * 11/2014 Balembois D9/435
- D718,136 S * 11/2014 Harrity D9/499
- D722,621 S * 2/2015 Gray et al. D15/28
- 2014/0339270 A1* 11/2014 Johnson 222/464.1

FOREIGN PATENT DOCUMENTS

WO 2012004668 A1 1/2012

OTHER PUBLICATIONS

Organix Healing Mandarin and Olive Oil Conditioner Review. Shweta. Jul. 19, 2013 [online], [site visited Mar. 18, 2015]. Available from Internet, <URL:http://www.wiseshe.com/2013/07/organix-healing-mandarin-and-olive-oil-conditioner-review.html#>.*

* cited by examiner

Primary Examiner — Robert M Spear
Assistant Examiner — Darcey E Heflin

(74) *Attorney, Agent, or Firm* — Alleman Hall McCoy Russell & Tuttle LLP

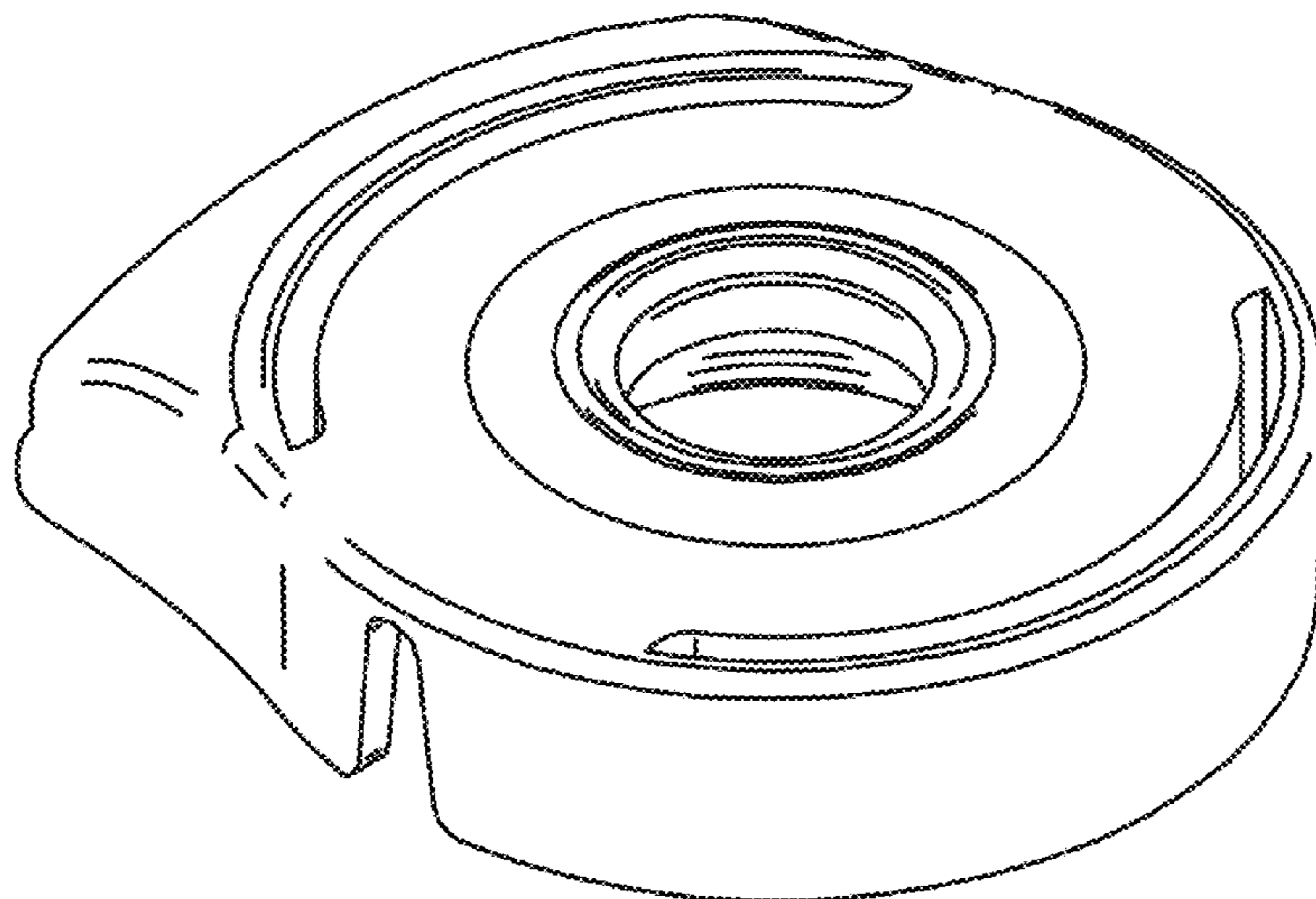
(57) **CLAIM**

The ornamental design for closure for packaging, as shown and described.

DESCRIPTION

FIG. 1 is a top-left perspective view of a design for closure for packaging according to the present disclosure.
FIG. 2 is a top-right perspective view of the closure for packaging of FIG. 1.
FIG. 3 is a top view of the closure for packaging of FIG. 1; and,
FIG. 4 is a bottom-left perspective view of the closure for packaging of FIG. 1.
In the drawings, the broken lines depict environmental subject matter that forms no part of the claim.

1 Claim, 2 Drawing Sheets



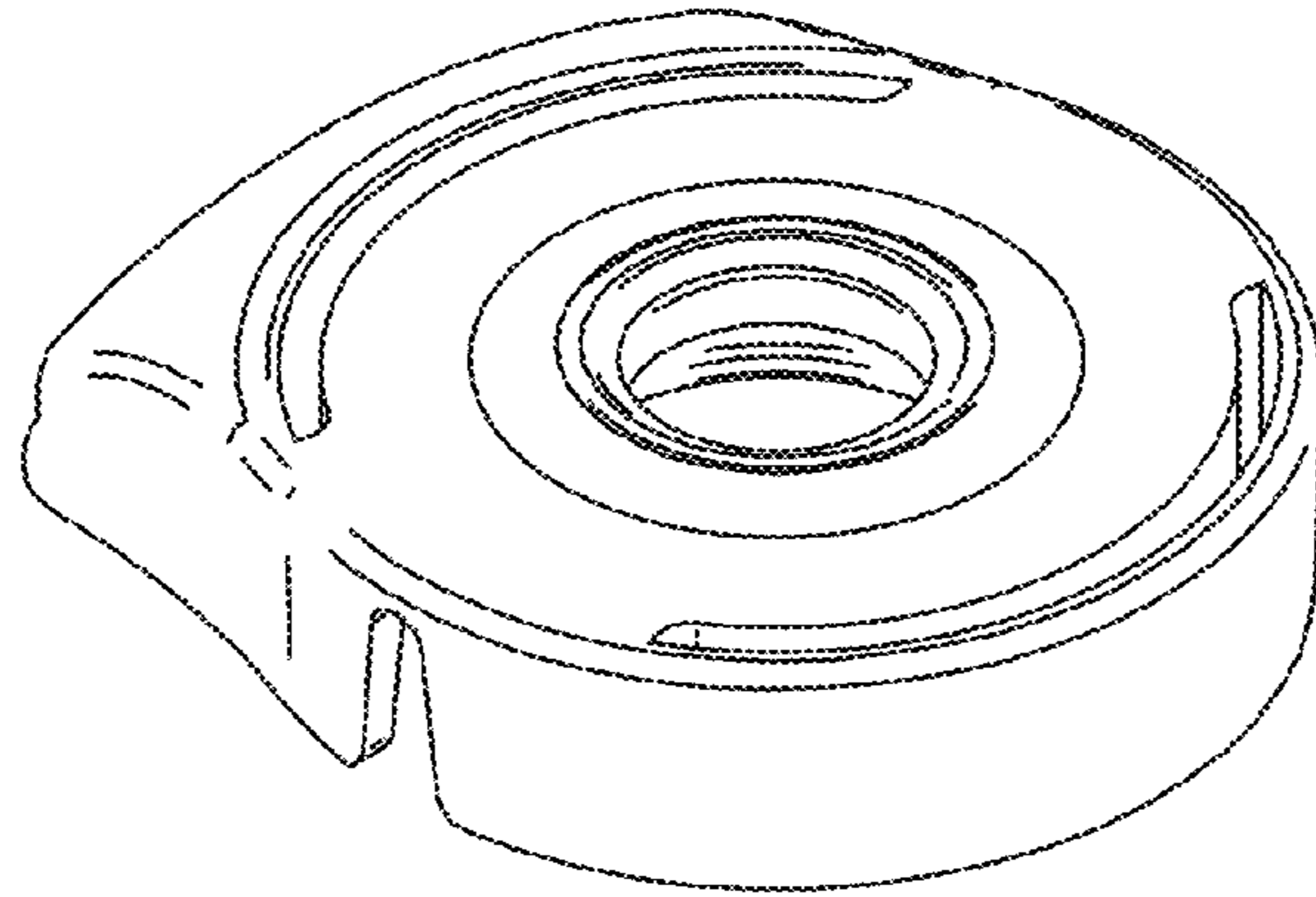


FIG. 1

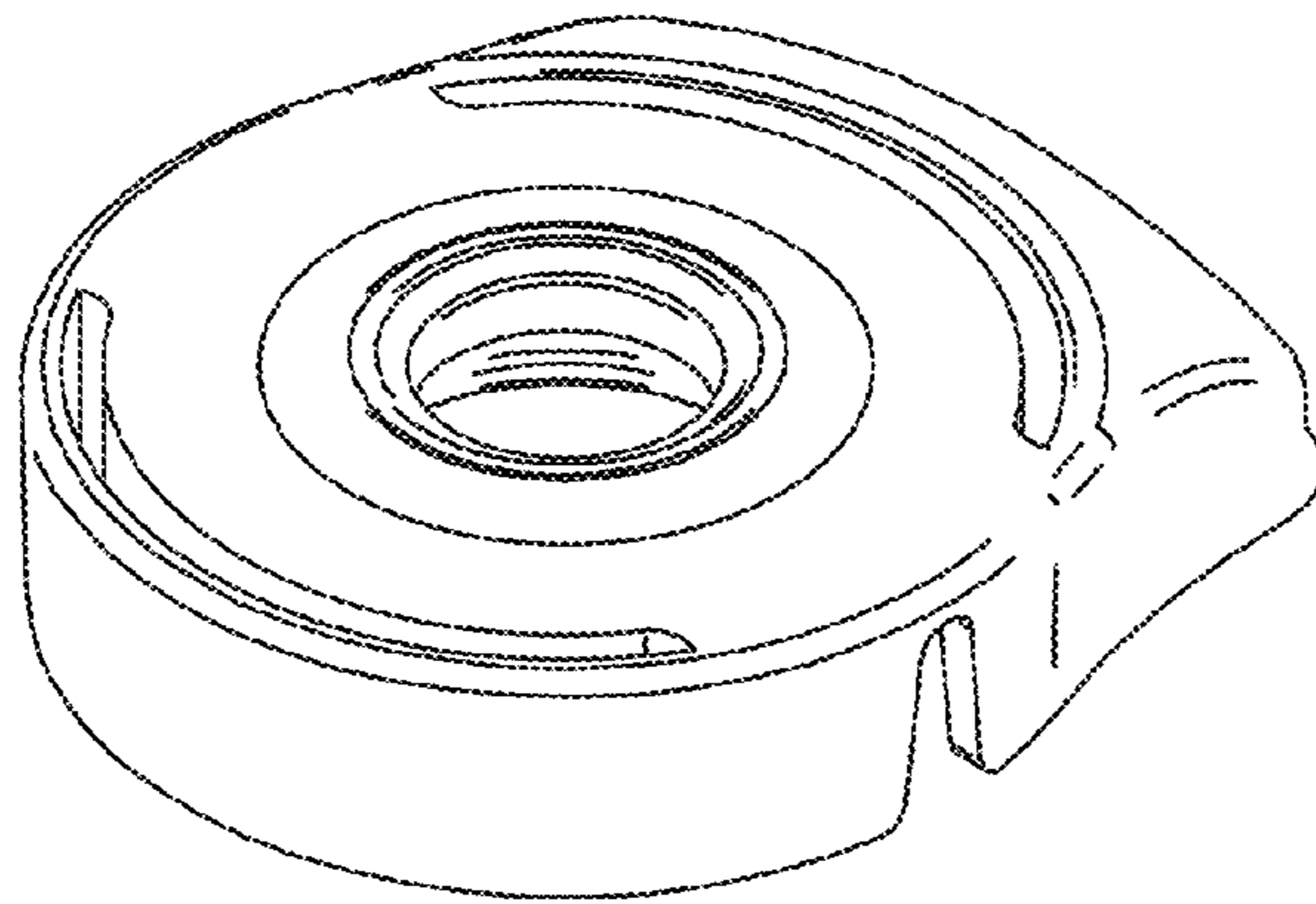


FIG. 2

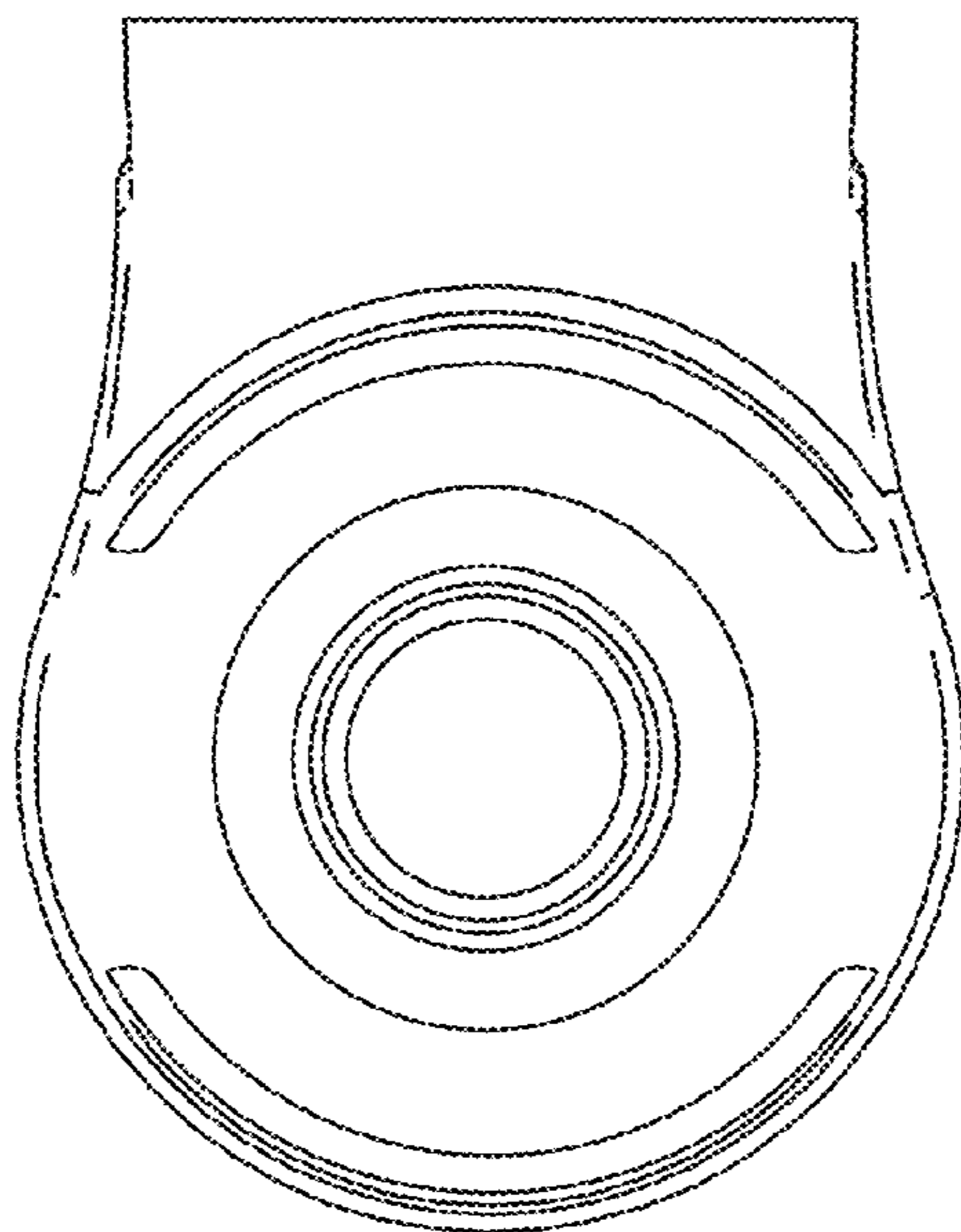


FIG. 3

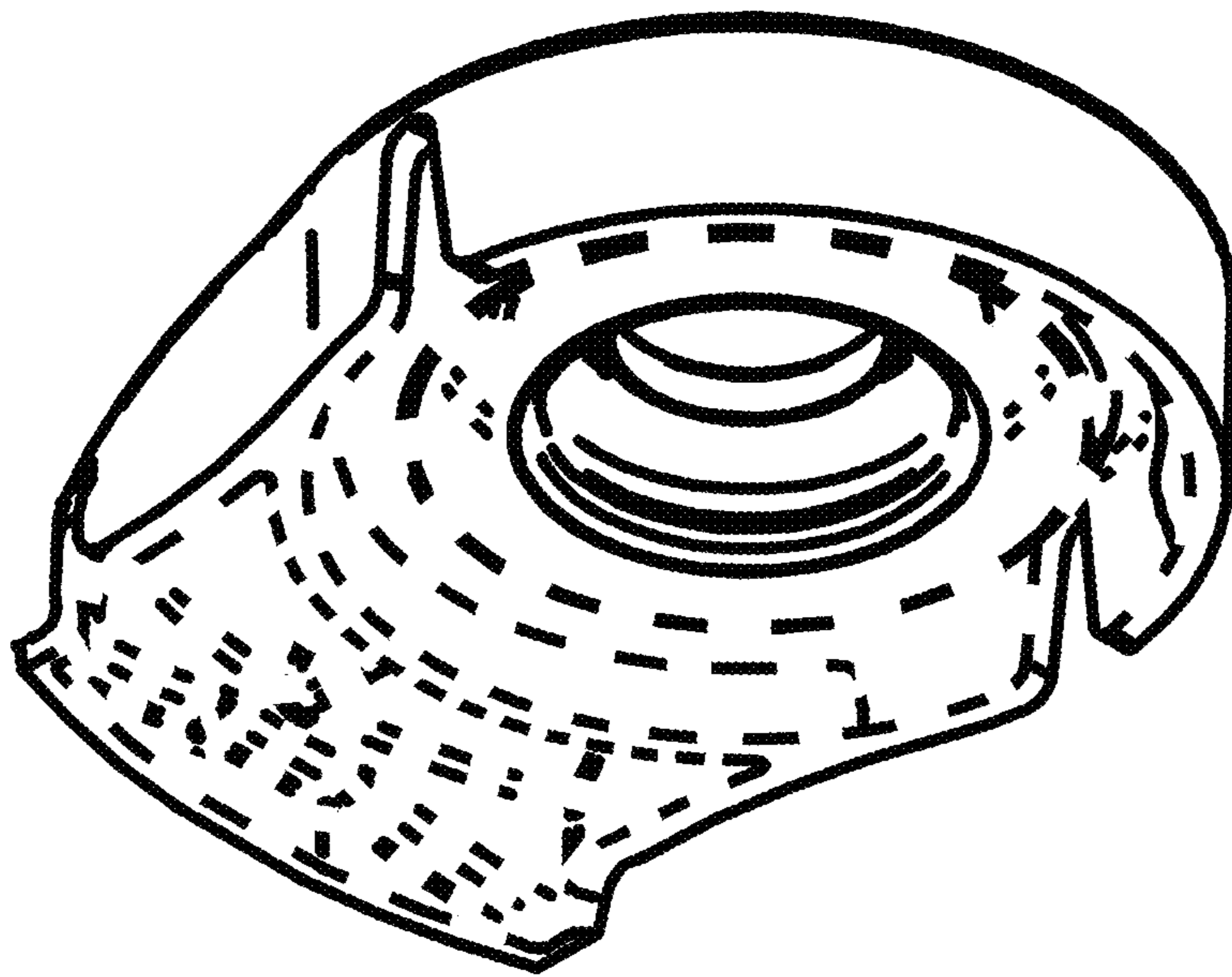


FIG. 4