



US00D732956S

(12) **United States Design Patent**  
**Brown et al.**

(10) **Patent No.:** **US D732,956 S**  
(45) **Date of Patent:** **\*\* Jun. 30, 2015**

(54) **LID FOR A DISPOSABLE CUP**

(75) Inventors: **Alexander Brown**, Manningtree (GB);  
**Claudio Scippo**, Bedford (GB)

(73) Assignee: **Solo Cup Europe Limited**, Huntingdon,  
Cambridgeshire (GB)

(\*\*) Term: **14 Years**

(21) Appl. No.: **29/423,250**

(22) Filed: **May 30, 2012**

(30) **Foreign Application Priority Data**

Dec. 2, 2011 (EM) ..... 001957291

(51) **LOC (10) Cl.** ..... **09-07**

(52) **U.S. Cl.**  
USPC ..... **D9/447**

(58) **Field of Classification Search**  
USPC ..... D7/300, 300.1, 321, 396.2, 500, 507,  
D7/509, 510, 511; D9/434, 435, 443, 444,  
D9/445, 447, 452, 455; 215/200, 235, 236,  
215/252, 254, 329, 355-364;  
220/203.04-203.07, 220, 254.1, 254.4,  
220/703, 704, 705

See application file for complete search history.

(56) **References Cited**

**U.S. PATENT DOCUMENTS**

D287,919 S \* 1/1987 Clements ..... D7/392.1  
D417,845 S \* 12/1999 Sadlier et al. .... D9/447  
D537,717 S \* 3/2007 Notarianni ..... D9/449  
D582,274 S \* 12/2008 Vogel ..... D9/449  
D591,595 S \* 5/2009 Tedford, Jr. .... D9/447  
D603,703 S \* 11/2009 Daggett ..... D9/449  
D614,028 S \* 4/2010 Daniel et al. .... D9/449  
D629,298 S \* 12/2010 Wong ..... D9/447

D635,855 S \* 4/2011 Smith et al. .... D9/447  
D658,057 S \* 4/2012 Donat ..... D9/447  
D675,524 S \* 2/2013 Bickert et al. .... D9/447  
2005/0173434 A1 \* 8/2005 O'Neal ..... 220/212  
2006/0071008 A1 \* 4/2006 Sadlier ..... 220/713

\* cited by examiner

*Primary Examiner* — Robert M Spear

*Assistant Examiner* — Marissa Cash

(74) *Attorney, Agent, or Firm* — McGarry Bair PC

(57) **CLAIM**

The ornamental design for a lid for a disposable cup, as shown and described.

**DESCRIPTION**

FIG. 1 is an elevation view of the right side of a lid for a disposable cup that has the design.

FIG. 2 is an elevation view of the front of the lid for a disposable cup.

FIG. 3 is an elevation view of the back.

FIG. 4 is a top plan view.

FIG. 5 is a bottom plan view.

FIG. 6 is an elevation view of the left side.

FIG. 7 is a back, top, and left side perspective view of the lid for a disposable cup.

FIG. 8 is an elevation view of the front of another lid for a disposable cup that has the design.

FIG. 9 is an elevation view of the back of the lid for a disposable cup.

FIG. 10 is an elevation view of the right side.

FIG. 11 is an elevation view of the left side.

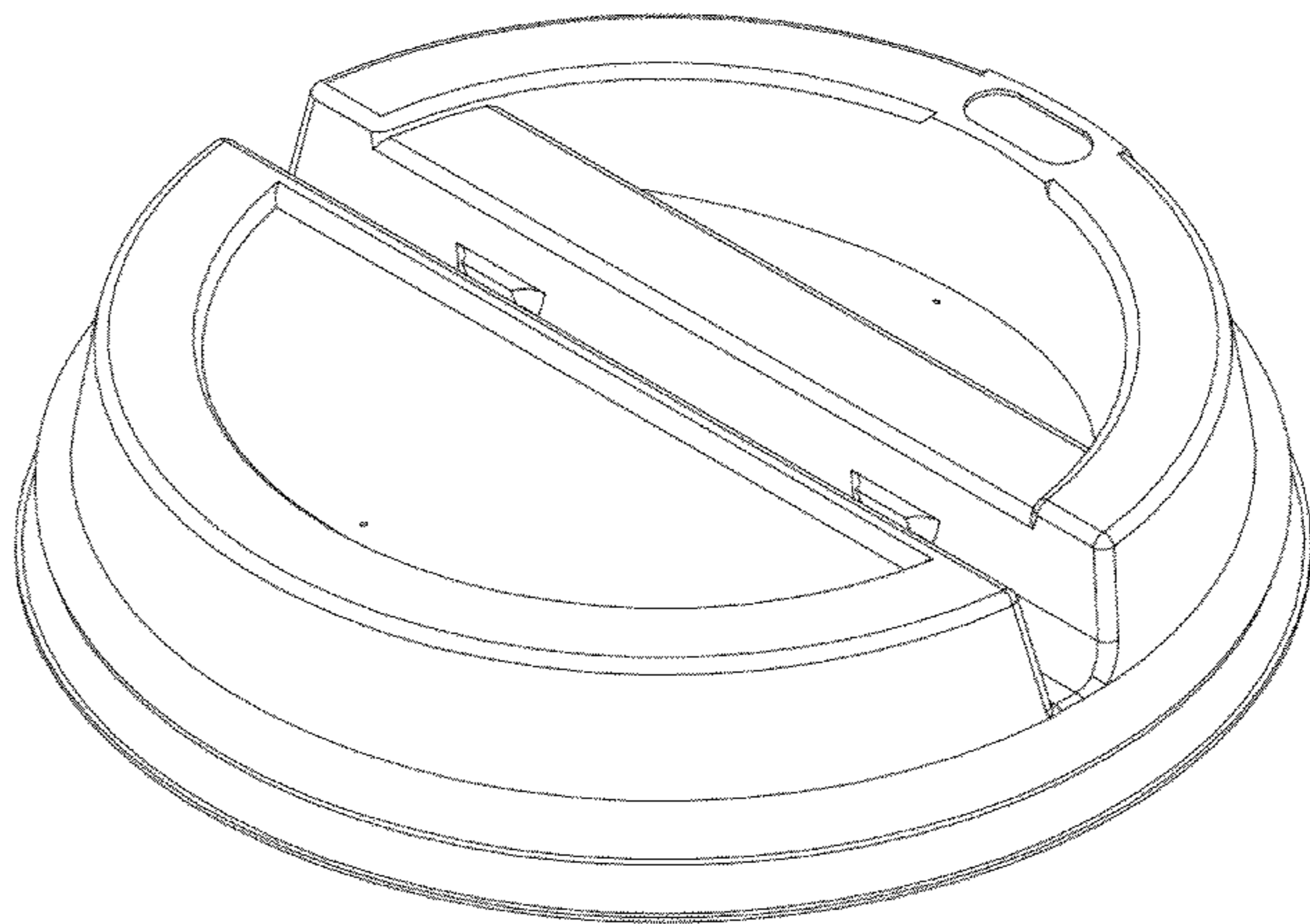
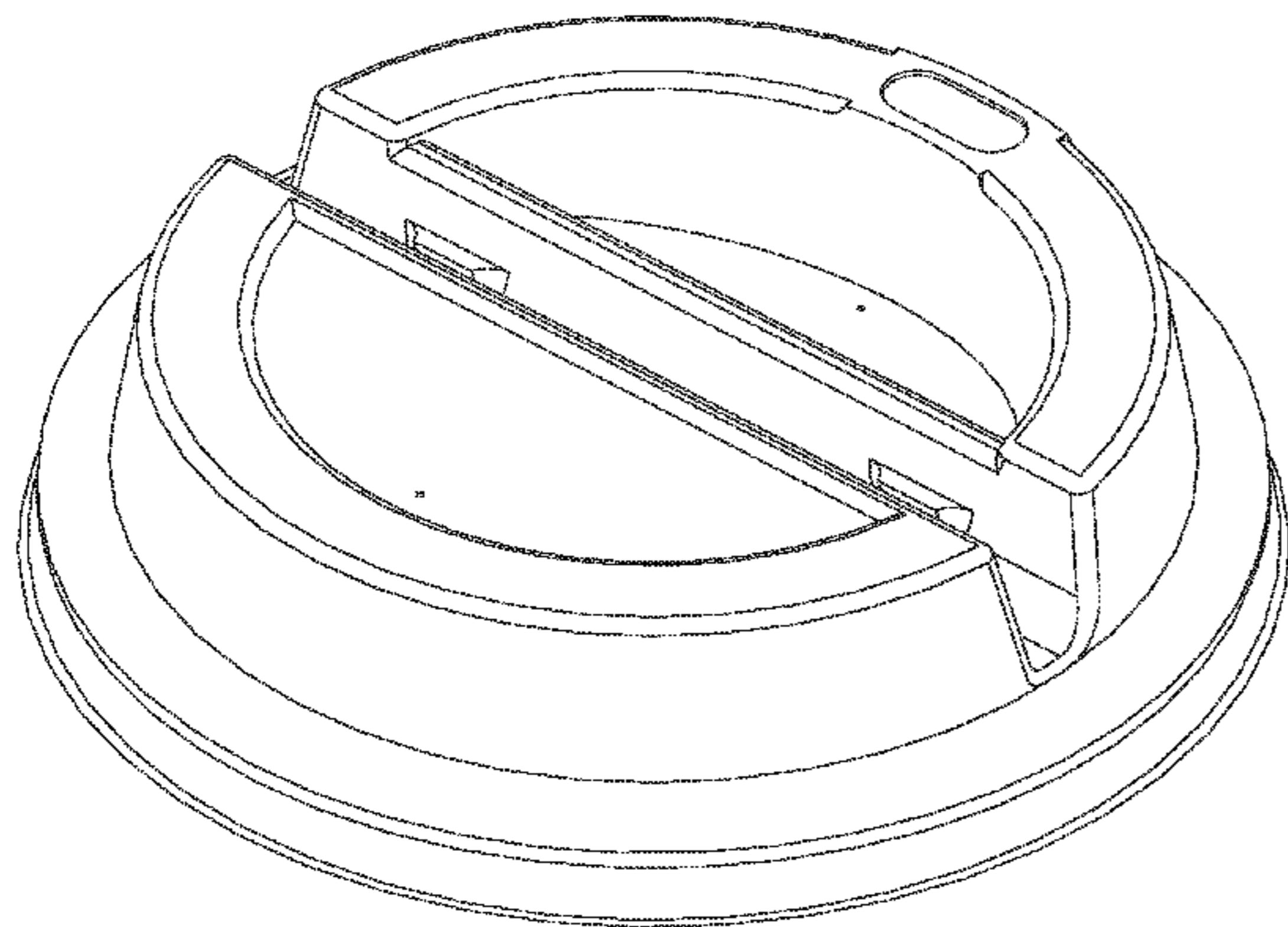
FIG. 12 is a bottom plan view.

FIG. 13 is a top plan view; and,

FIG. 14 is a back, top, and left side perspective view.

The broken lines represent elements of the lid for a disposable cup that form no part of the claimed design.

**1 Claim, 9 Drawing Sheets**



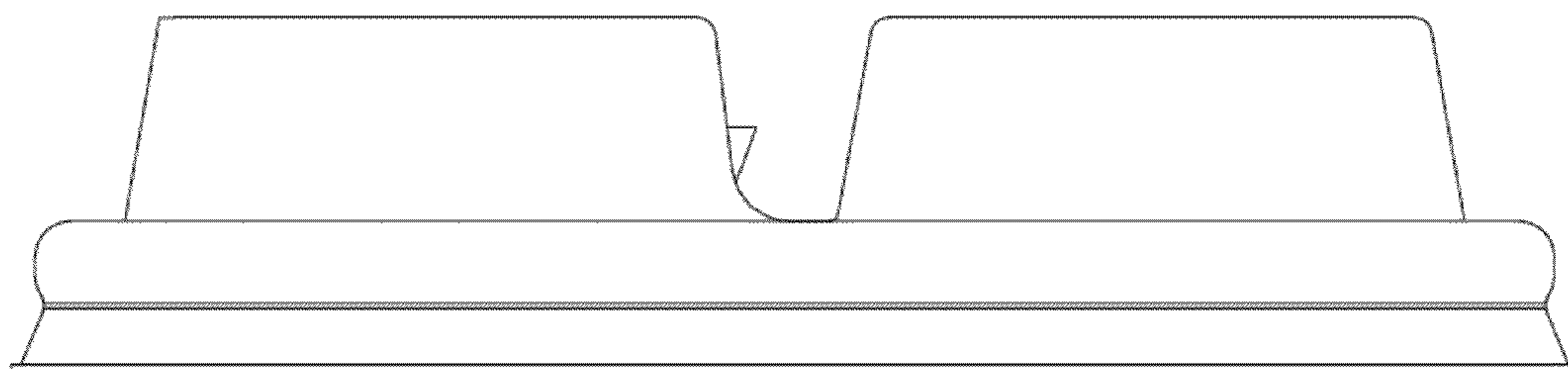


Fig. 1

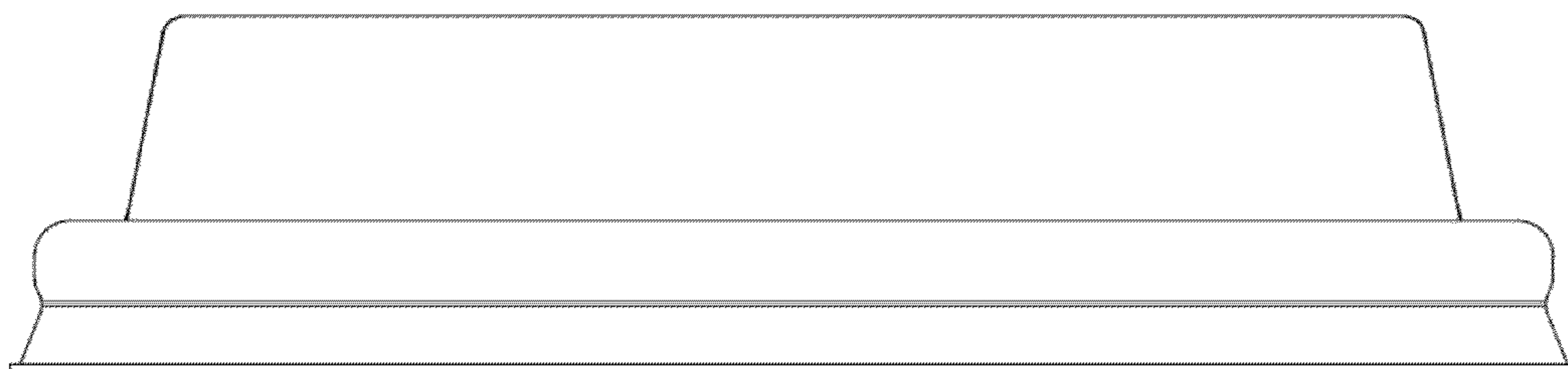


Fig. 2

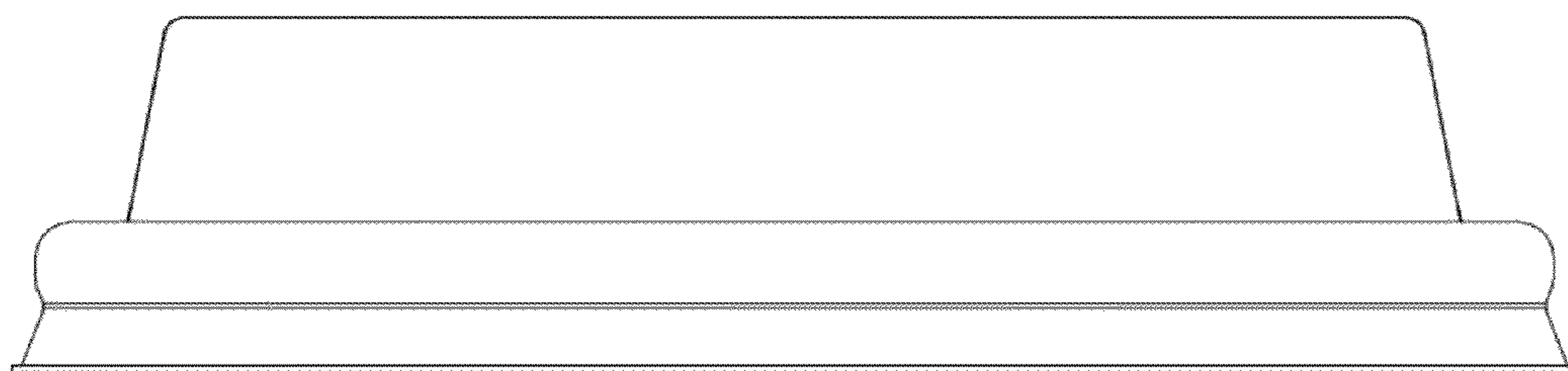


Fig. 3

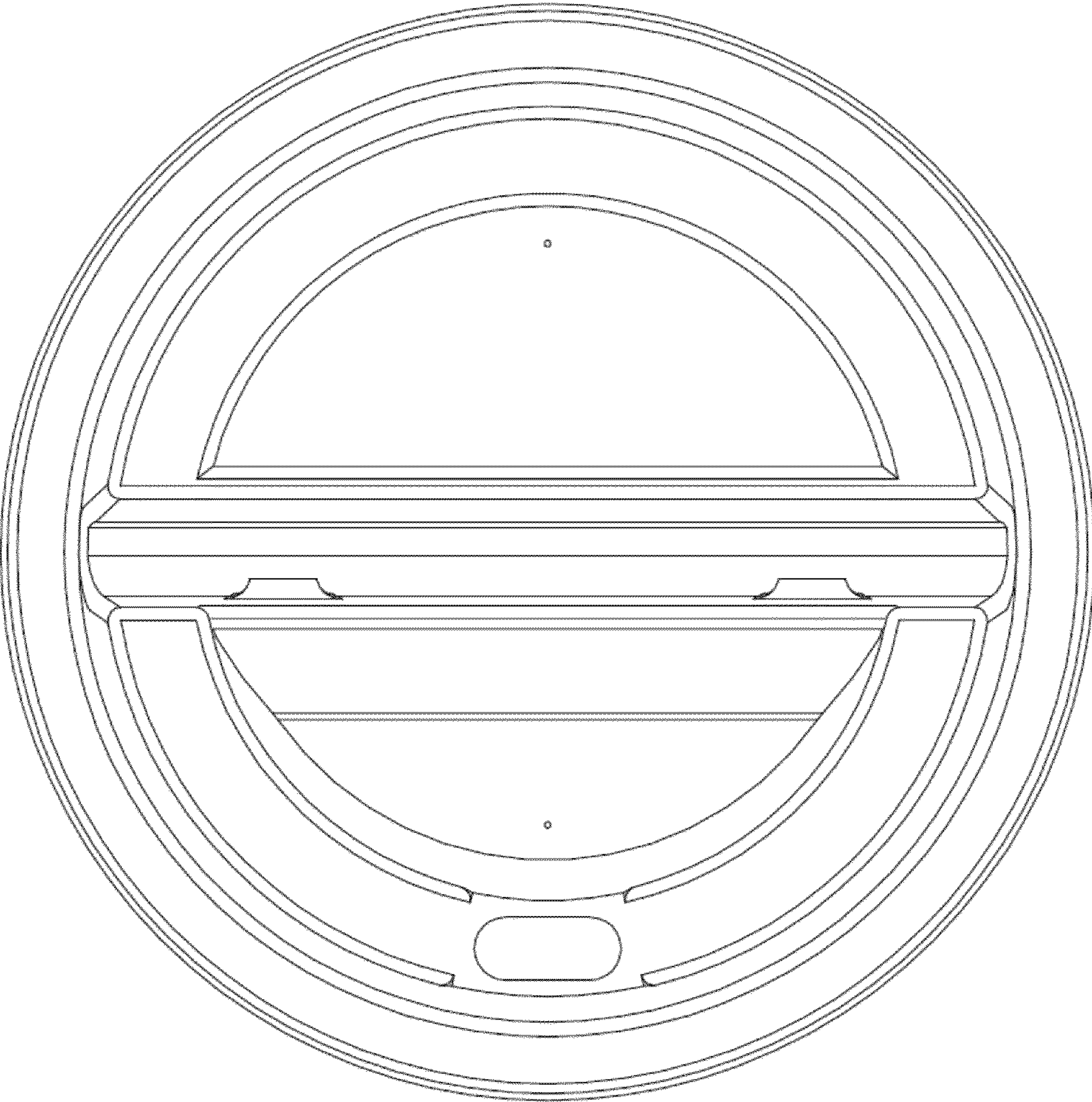


Fig. 4

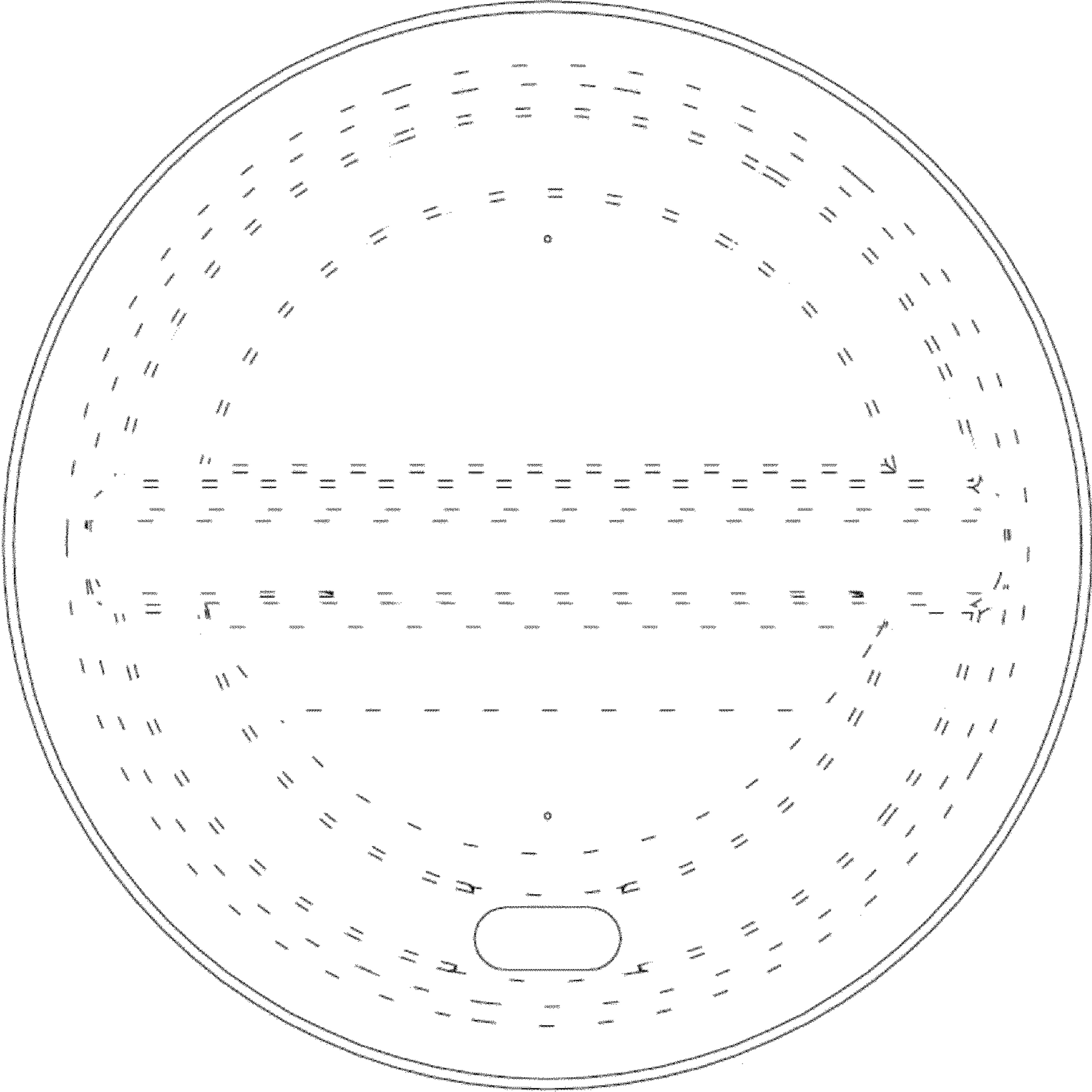


Fig. 5

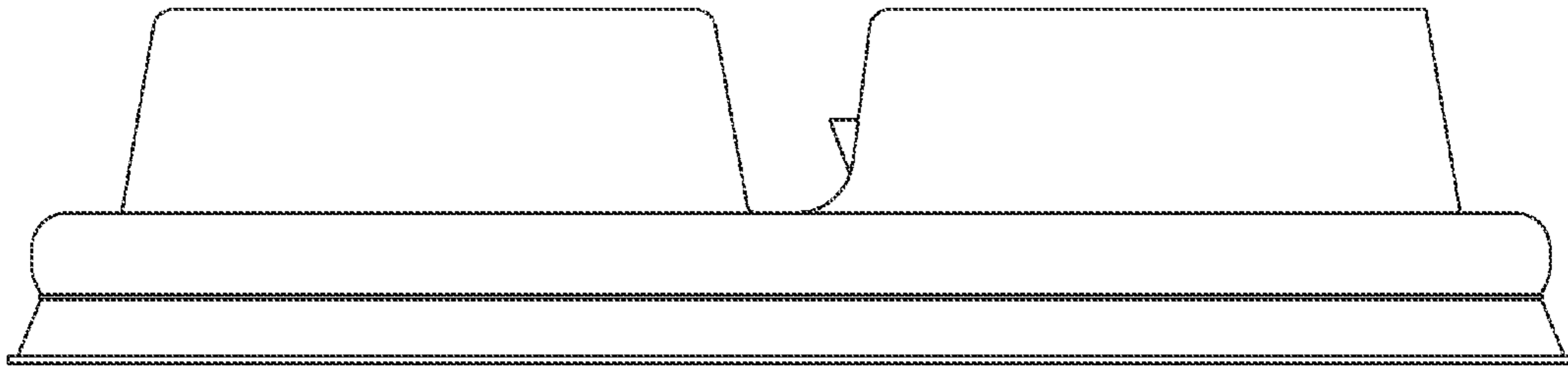


Fig. 6

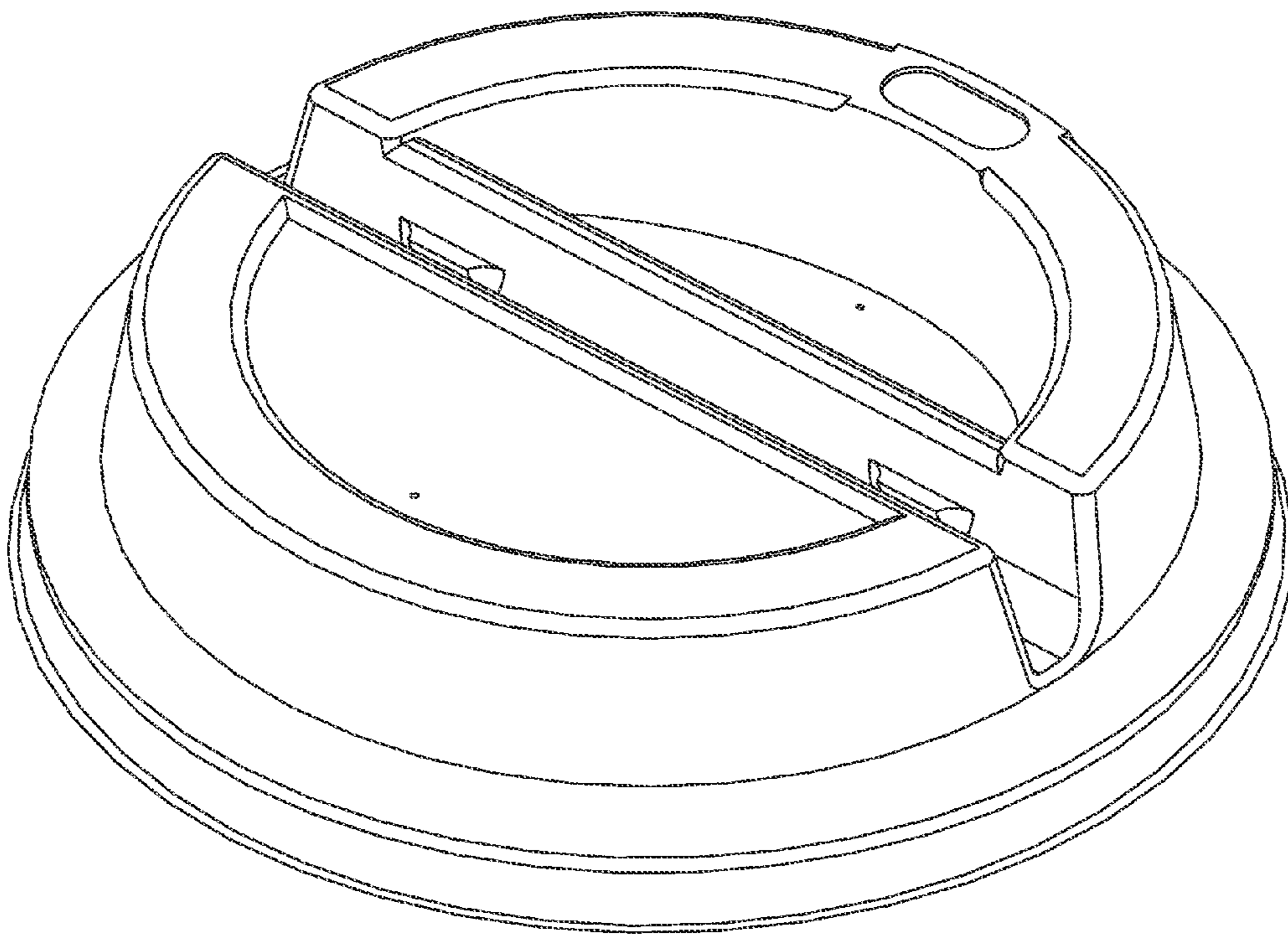


Fig. 7

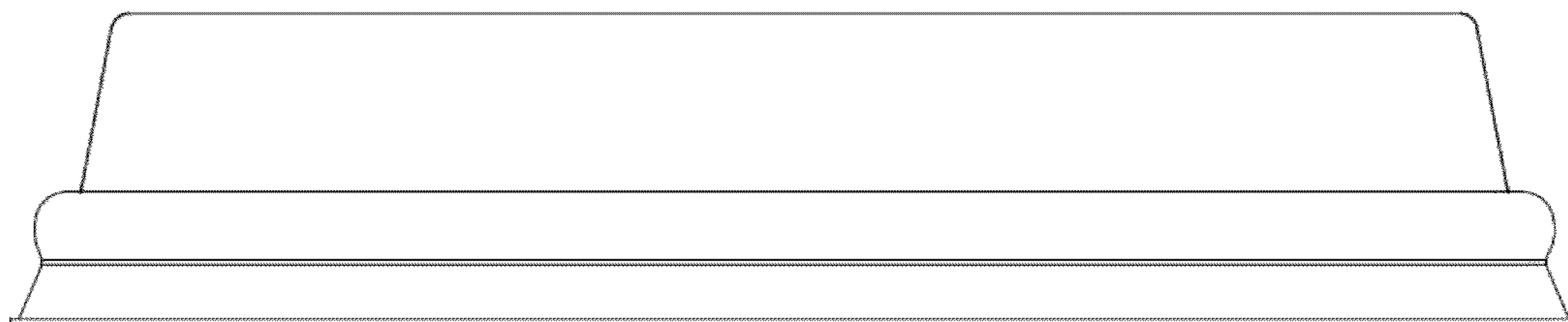


Fig. 8

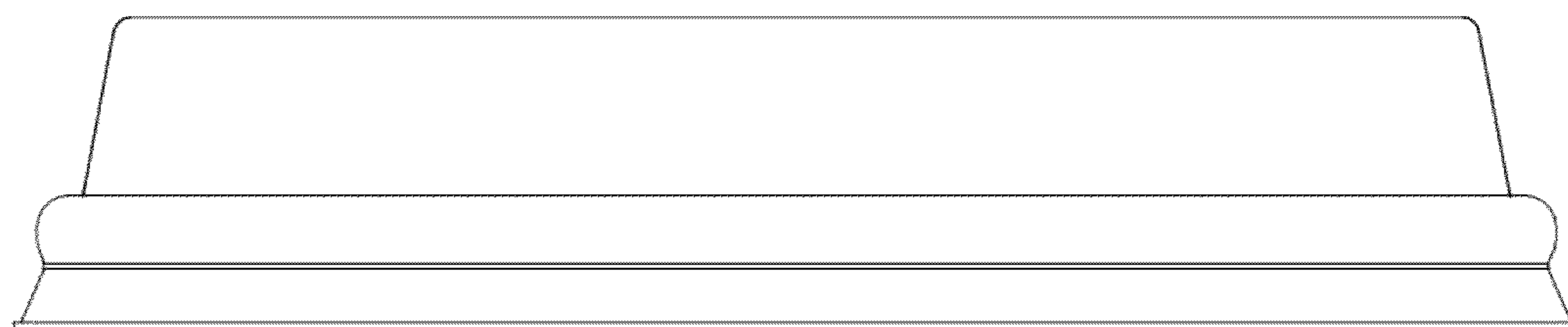


Fig. 9

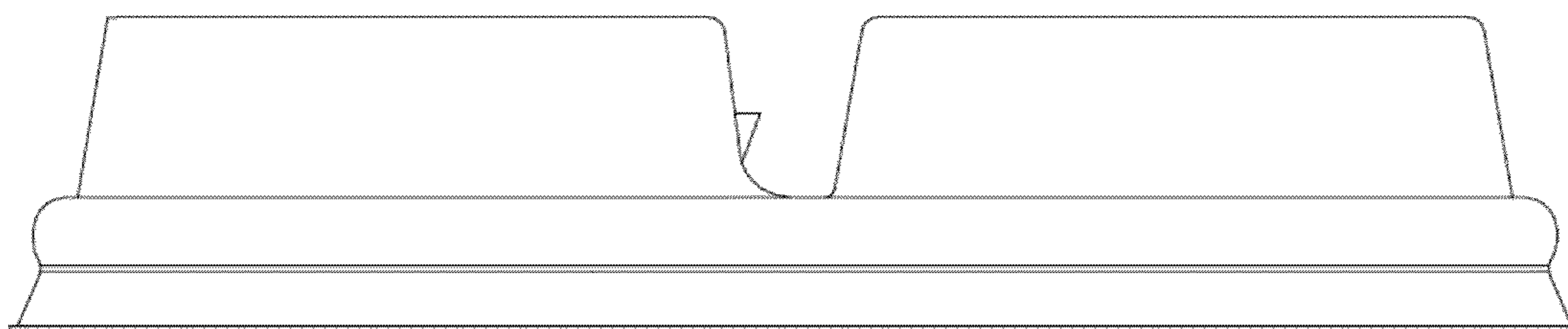


Fig. 10

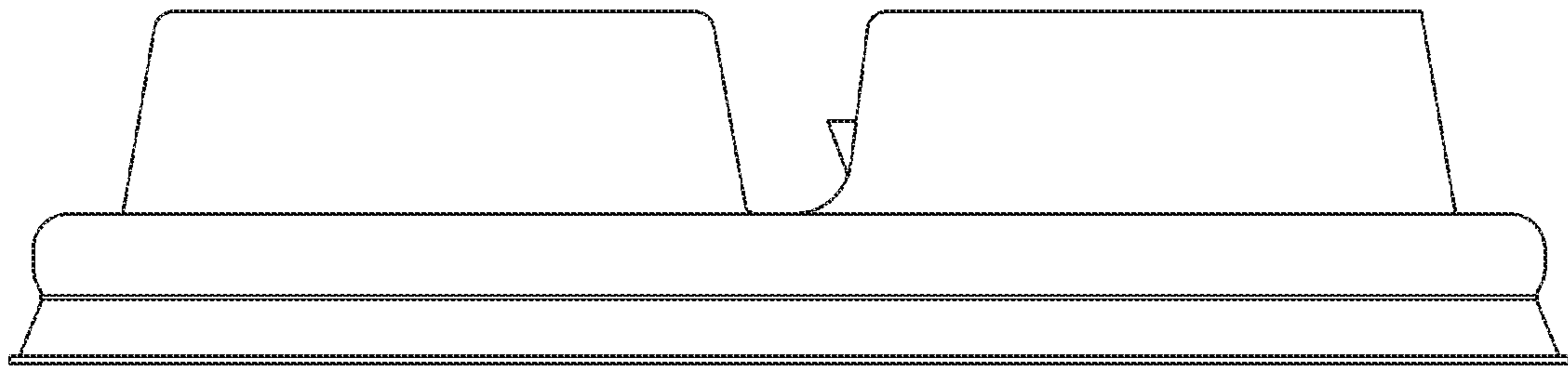


Fig. 11

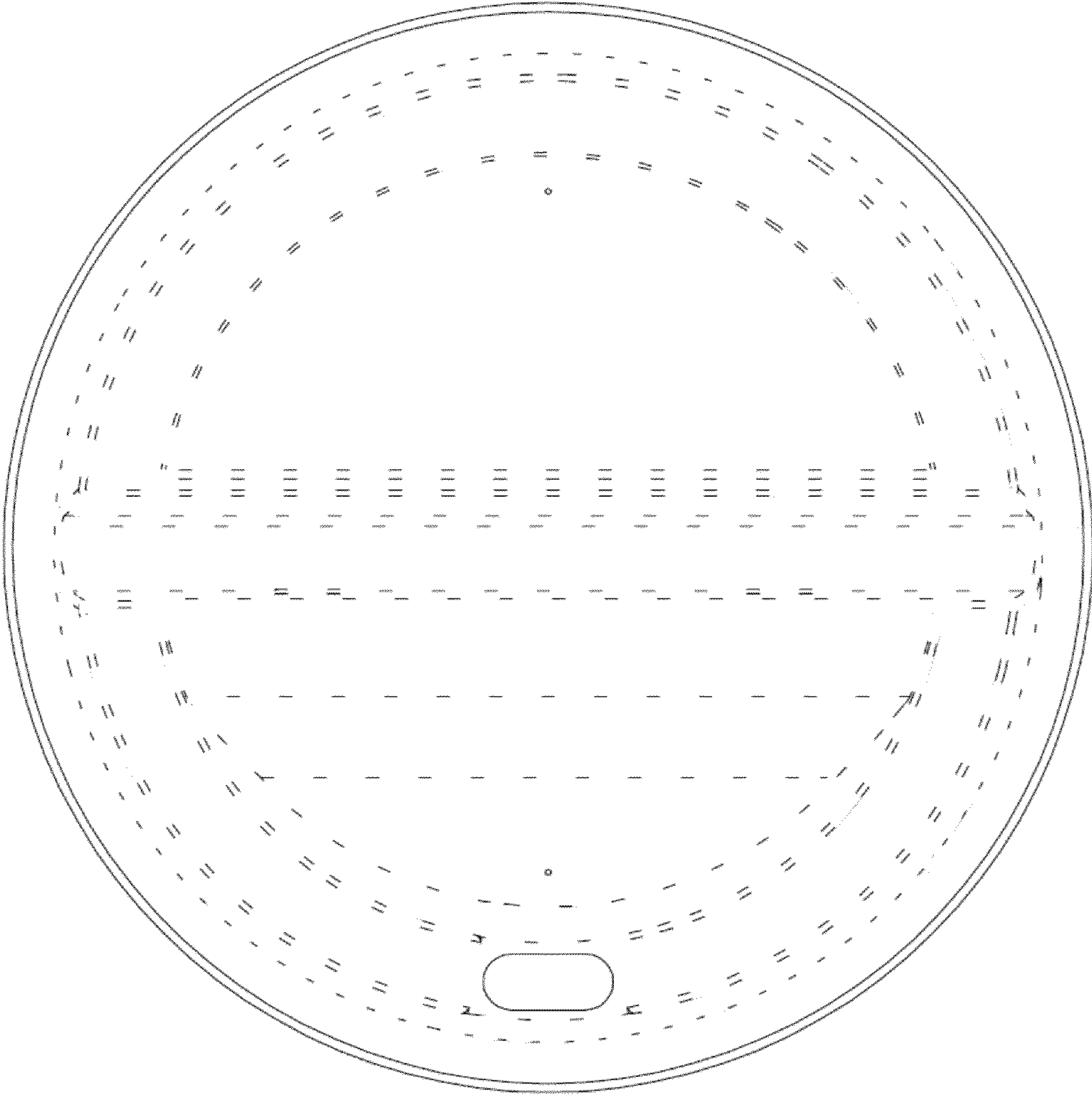


Fig. 12



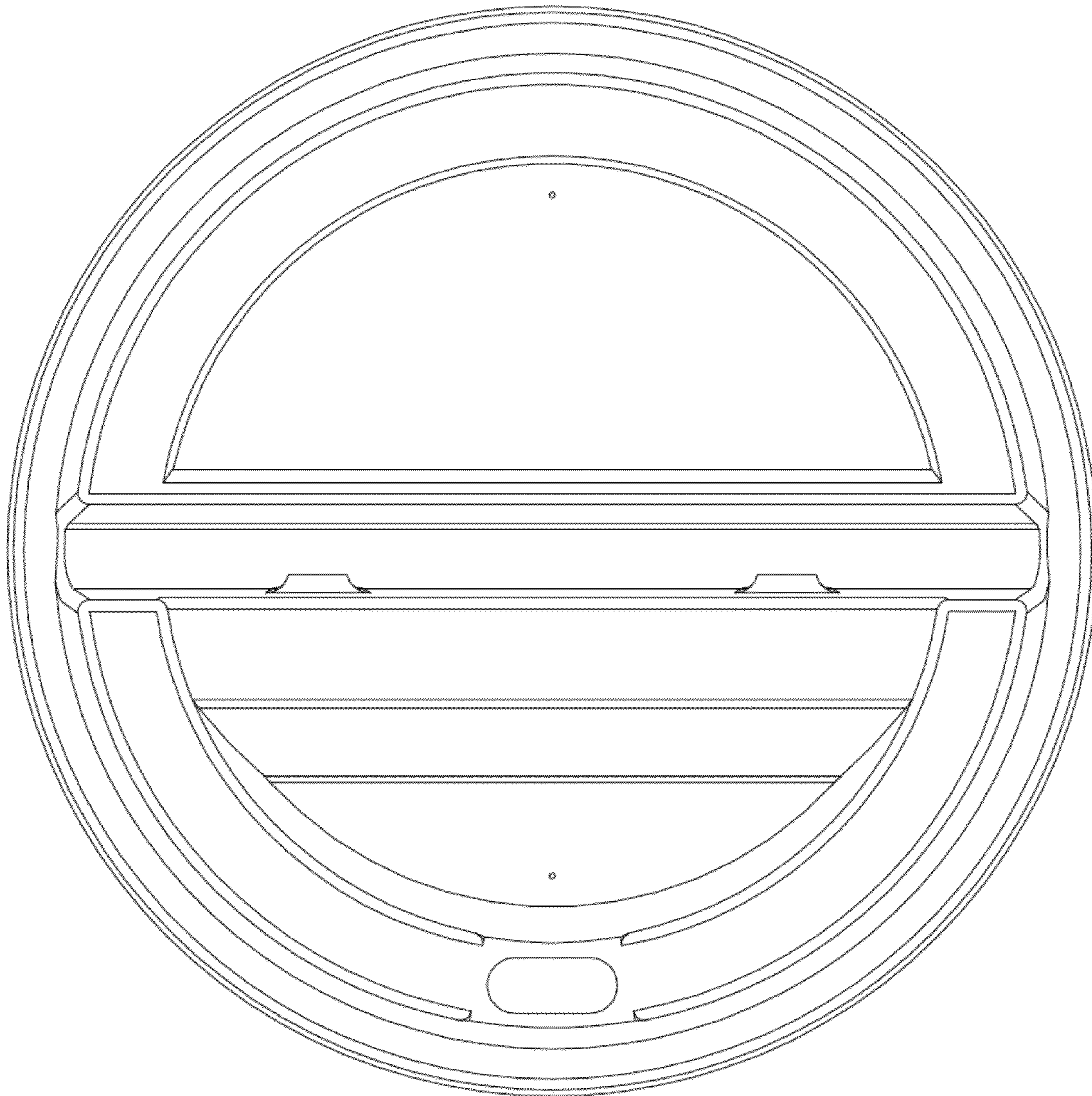


Fig. 13

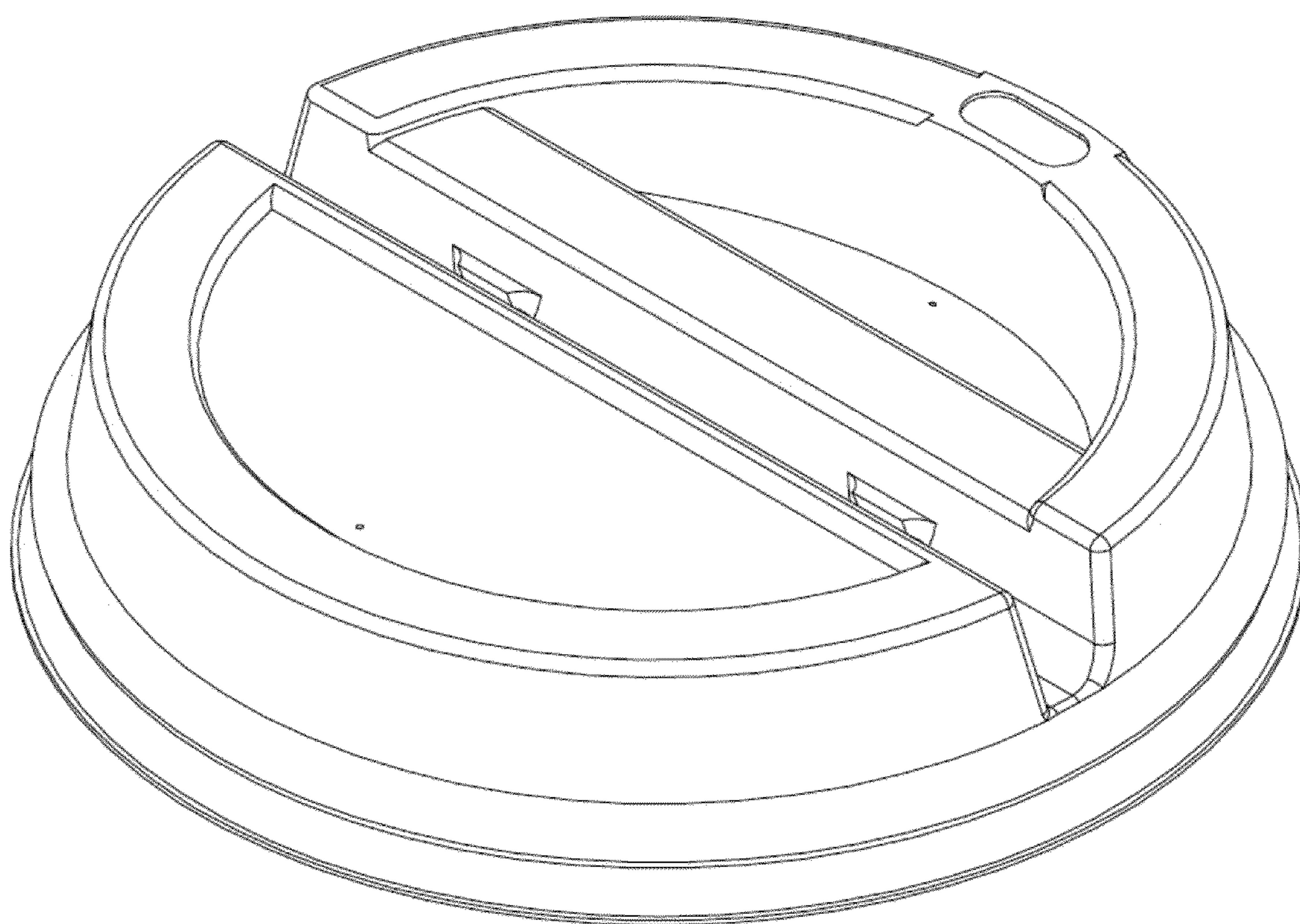


Fig. 14