



US00D732954S

(12) **United States Design Patent**
Ramsey et al.

(10) **Patent No.:** **US D732,954 S**
(45) **Date of Patent:** **** Jun. 30, 2015**

(54) **CAN WITH ARROW TAB**

(56) **References Cited**

(71) Applicant: **Crown Packaging Technology, Inc.**,
Alsip, IL (US)
(72) Inventors: **Christopher Paul Ramsey**, Wantage
(GB); **Lucy Winstanley**, Gloucestershire
(GB)
(73) Assignee: **Crown Packaging Technology, Inc.**,
Alsip, IL (US)
(**) Term: **14 Years**
(21) Appl. No.: **29/472,771**
(22) Filed: **Nov. 15, 2013**

U.S. PATENT DOCUMENTS

D199,822	S	*	12/1964	Bozek	D9/438
D200,883	S	*	4/1965	Bozek	D9/438
D422,211	S	*	4/2000	Sedgeley	D9/434
D422,213	S	*	4/2000	Sedgeley	D9/434
D426,155	S	*	6/2000	Blow et al.	D9/434
D490,311	S		5/2004	Timm		
D533,775	S	*	12/2006	Huckel	D9/438
8,146,768	B2	*	4/2012	Forrest et al.	220/272
D696,582	S	*	12/2013	Ramsey et al.	D9/438
D696,583	S		12/2013	Ramsey et al.		
2005/0045637	A1	*	3/2005	Rohr et al.	220/269
2013/0075401	A1	*	3/2013	Forrest	220/270

* cited by examiner

Primary Examiner — Robert M Spear
(74) *Attorney, Agent, or Firm* — Baker & Hostetler LLP

(57) **CLAIM**

We claim the ornamental design for a can with arrow tab, as shown and described.

DESCRIPTION

FIG. 1 is a top plan view of a can with arrow tab showing our new design;
FIG. 2 is a side elevation view thereof, the opposite side elevational view being identical thereto;
FIG. 3 is a bottom plan view thereof;
FIG. 4 is a perspective view thereof, with the tab in a second position; and,
FIG. 5 is a second perspective view thereof, with the tab in its original position.
The portions of the drawings appearing in broken lines are for environment only and do not form a part of the claimed design.

Related U.S. Application Data

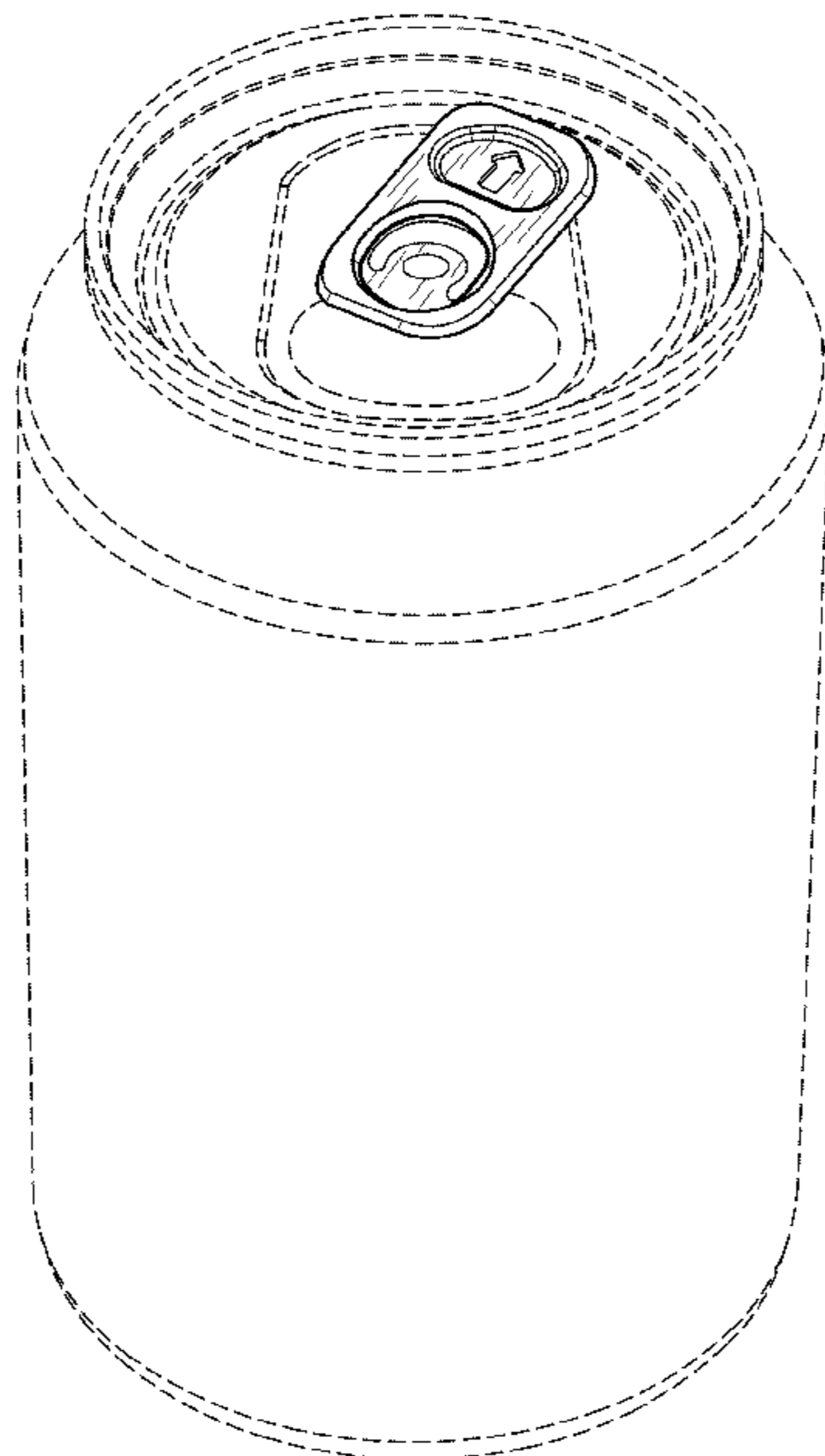
(62) Division of application No. 29/435,349, filed on Oct. 23, 2012, now Pat. No. Des. 696,582.

Foreign Application Priority Data

Apr. 24, 2012 (EM) 002031997
(51) **LOC (10) Cl.** **09-07**
(52) **U.S. Cl.**
USPC **D9/438**
(58) **Field of Classification Search**
USPC D9/780, 772, 767, 763, 454, 438, 434,
D9/428, 425, 432; D7/396.2, 392.1, 627,
D7/605, 553.2, 541; 229/406, 123.2;
220/470

See application file for complete search history.

1 Claim, 5 Drawing Sheets



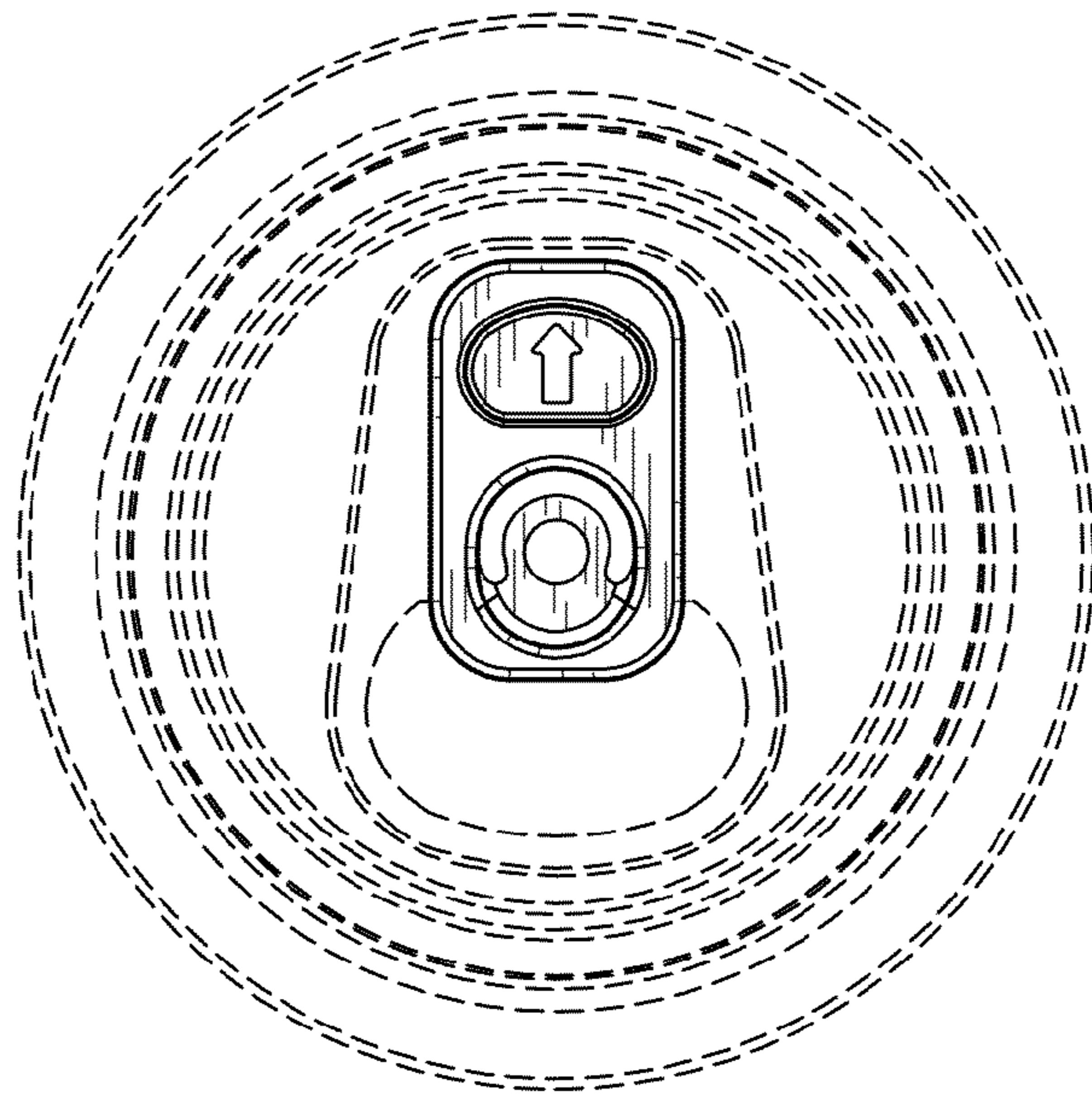


FIG. 1

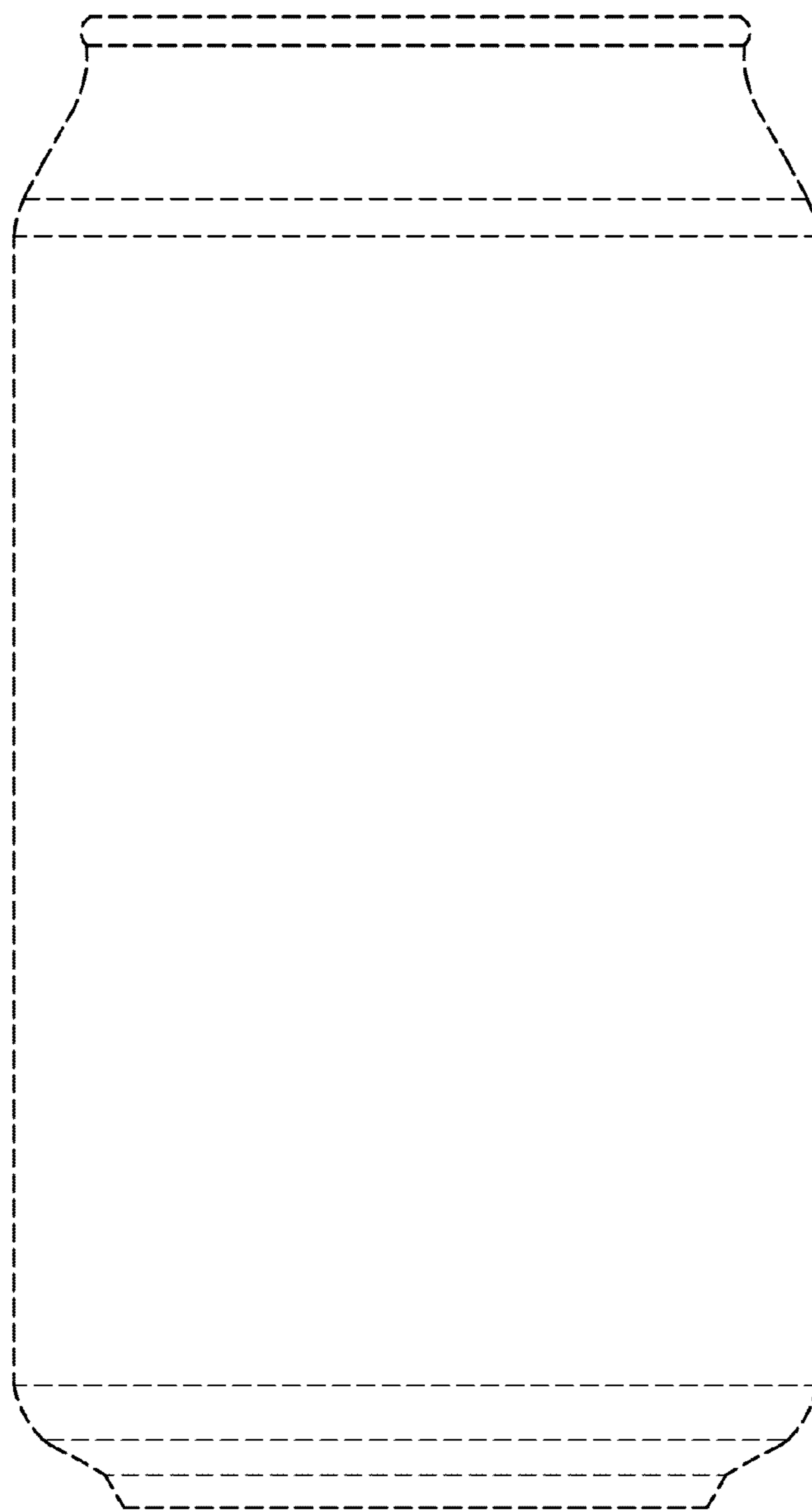


FIG. 2

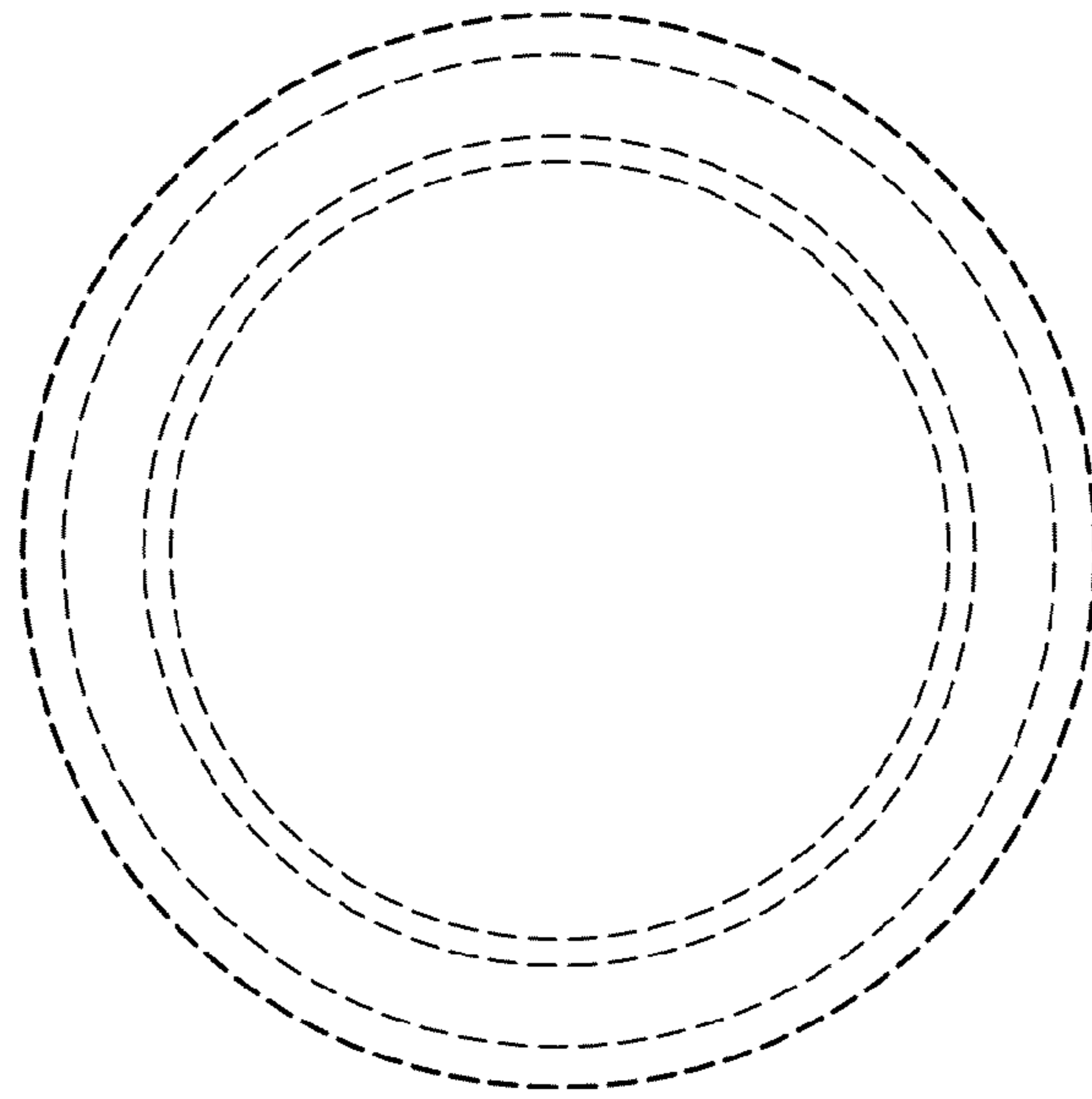


FIG. 3

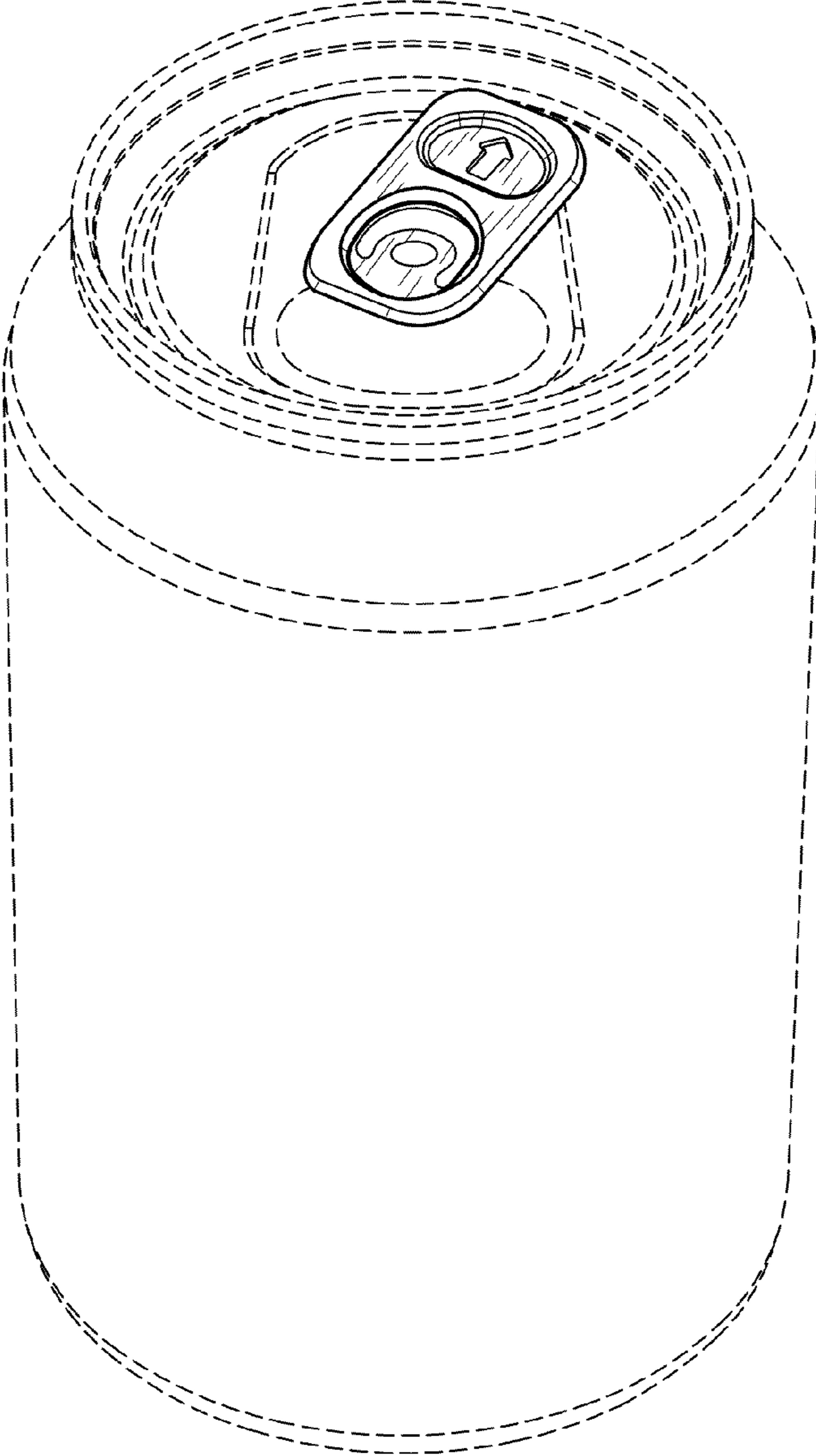


FIG. 4

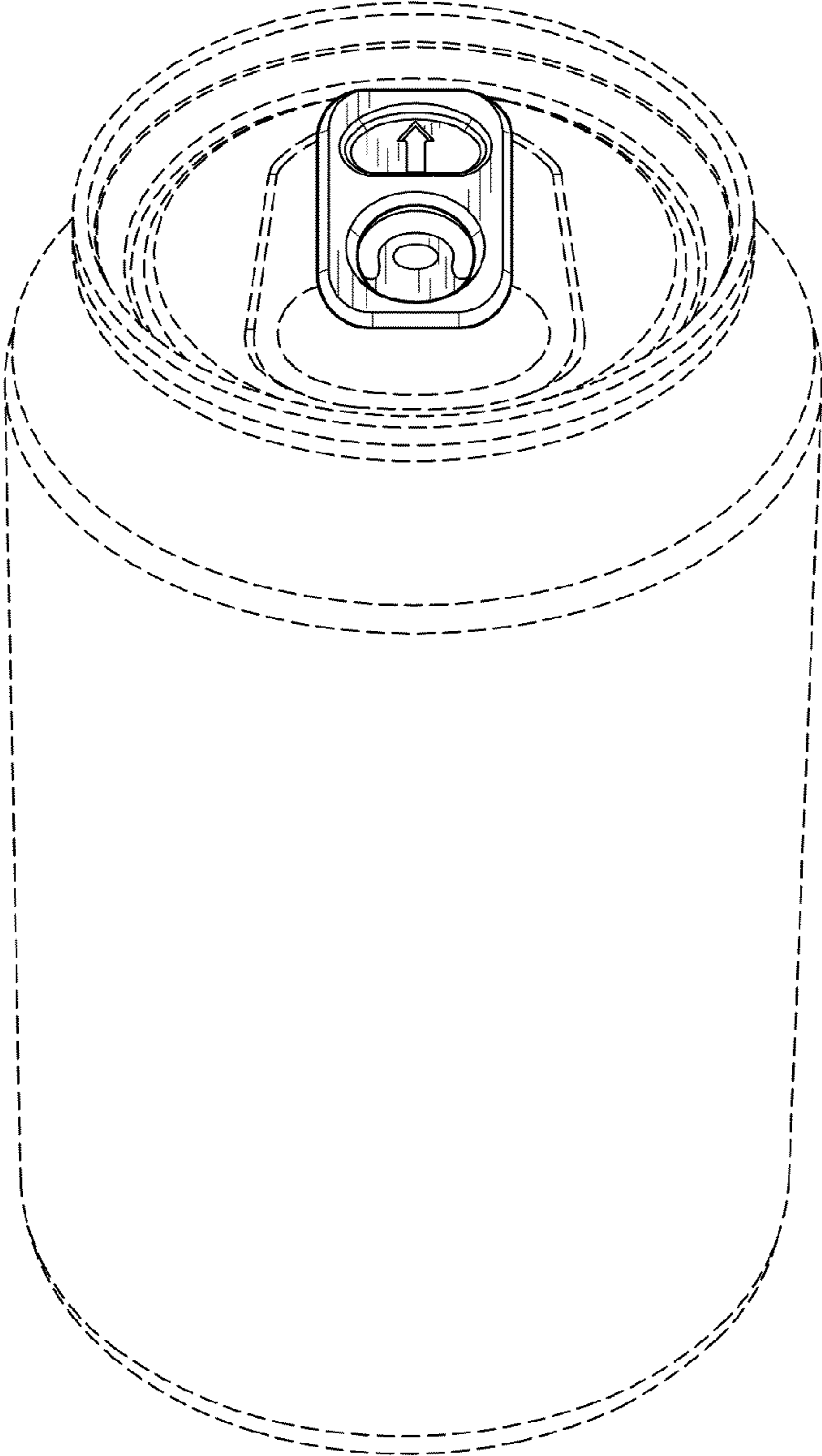


FIG. 5