



US00D732951S

(12) **United States Design Patent**  
**Ahn et al.**

(10) **Patent No.:** **US D732,951 S**  
(45) **Date of Patent:** **\*\* Jun. 30, 2015**

(54) **PACKAGE**

(71) Applicant: **Samsung Electronics Co., Ltd.**,  
Suwon-si, Gyeonggi-do (KR)

(72) Inventors: **Se-Yong Ahn**, Seoul (KR); **Ju-Kyun Kim**, Gyeongsangbuk-do (KR)

(73) Assignee: **Samsung Electronics Co., Ltd.**,  
Suwon-Si (KR)

(\*\*) Term: **14 Years**

(21) Appl. No.: **29/486,224**

(22) Filed: **Mar. 27, 2014**

(30) **Foreign Application Priority Data**

Sep. 30, 2013 (KR) ..... 30-2013-0049491

(51) **LOC (10) Cl.** ..... **09-03**

(52) **U.S. Cl.**  
USPC ..... **D9/418**

(58) **Field of Classification Search**  
USPC ..... D9/418, 415, 414, 433, 722, 457, 456,  
D9/499, 702, 432, 737, 652, 420, 711, 423,  
D9/624, 732, 434; 206/461, 463, 464, 469,  
206/768, 476, 489, 807, 804, 806, 465, 769,  
206/776, 779, 470, 363, 462, 486, 316.1,  
206/471

See application file for complete search history.

(56) **References Cited**

**U.S. PATENT DOCUMENTS**

D449,780 S \* 10/2001 Corella ..... D9/415  
D458,123 S \* 6/2002 Rick et al. .... D9/415  
D502,392 S \* 3/2005 Maher et al. .... D9/418

D546,667 S \* 7/2007 Sexton, Jr. .... D9/415  
D554,497 S \* 11/2007 VanDerStighelen et al. .. D9/711  
D590,257 S \* 4/2009 Matsumoto et al. .... D9/457  
D592,047 S \* 5/2009 Glass ..... D9/423  
D626,855 S \* 11/2010 Chiang ..... D9/624  
D644,922 S \* 9/2011 Smith et al. .... D9/418  
D652,294 S \* 1/2012 Seneca et al. .... D9/433  
D669,350 S \* 10/2012 Althoff ..... D9/418  
D675,109 S \* 1/2013 Stahl et al. .... D9/732  
D688,125 S \* 8/2013 DiFranza ..... D9/434  
D699,107 S \* 2/2014 Streich et al. .... D9/457

\* cited by examiner

*Primary Examiner* — Holly Baynham

*Assistant Examiner* — Rhea Shields

(74) *Attorney, Agent, or Firm* — Ladas & Parry LLP

(57) **CLAIM**

The ornamental design for a package, as shown and described.

**DESCRIPTION**

FIG. 1 is a Perspective View of a package showing our new design;

FIG. 2 is a front view thereof;

FIG. 3 is a rear view thereof;

FIG. 4 is a left side view thereof;

FIG. 5 is a right side view thereof;

FIG. 6 is a top plan view thereof;

FIG. 7 is a bottom view thereof; and,

FIG. 8 is a view of a blank thereof with fold lines shown by dashed lines.

The subject article is a box which is used in packing a portable terminable (a tablet PC etc.), It has a see-through window in a frontal surface formed by transparent or semi-transparent material. In the drawings, the broken lines depict unclaimed subject matter only and form no part of the claimed design.

**1 Claim, 6 Drawing Sheets**

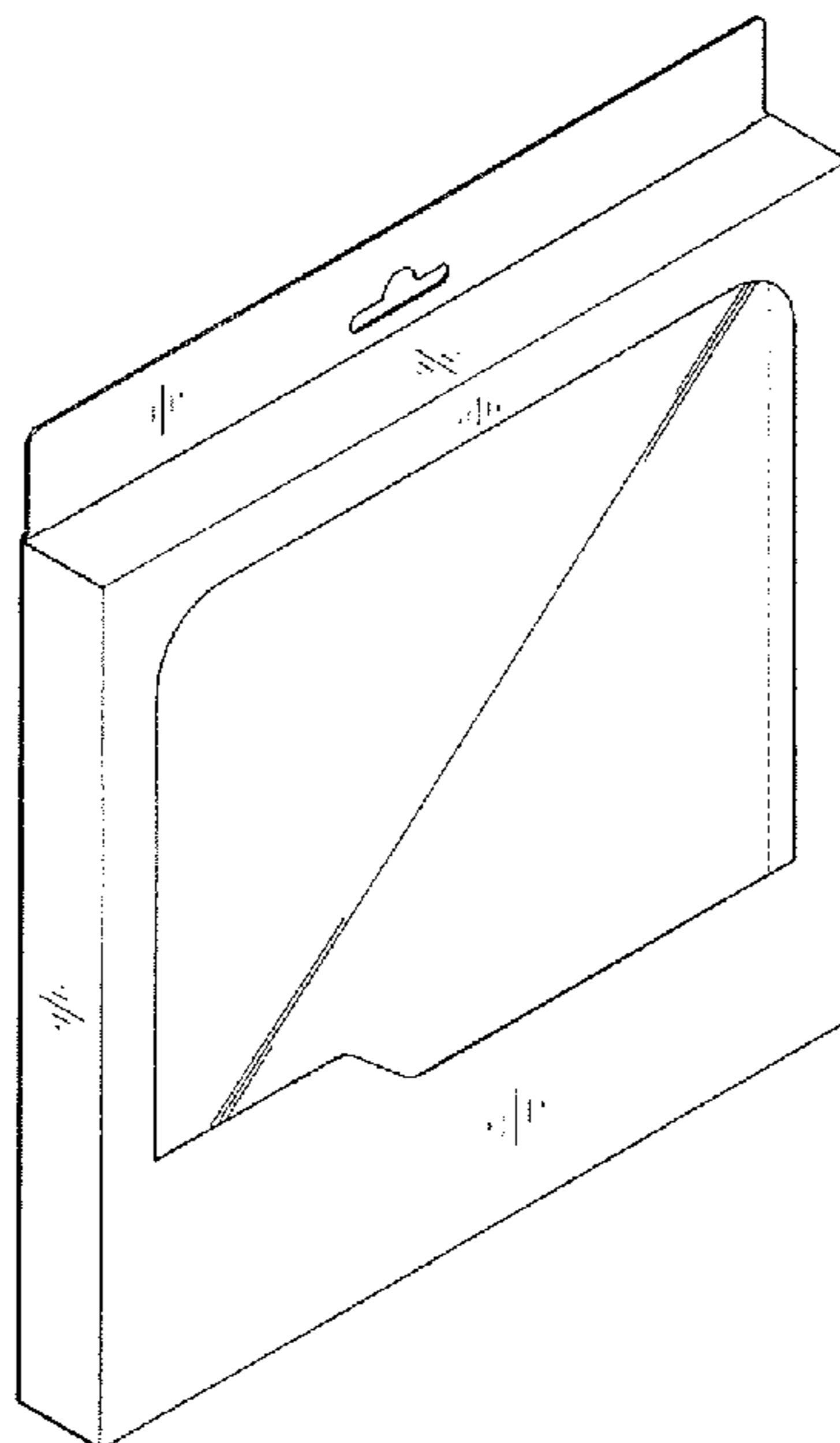


FIG. 1

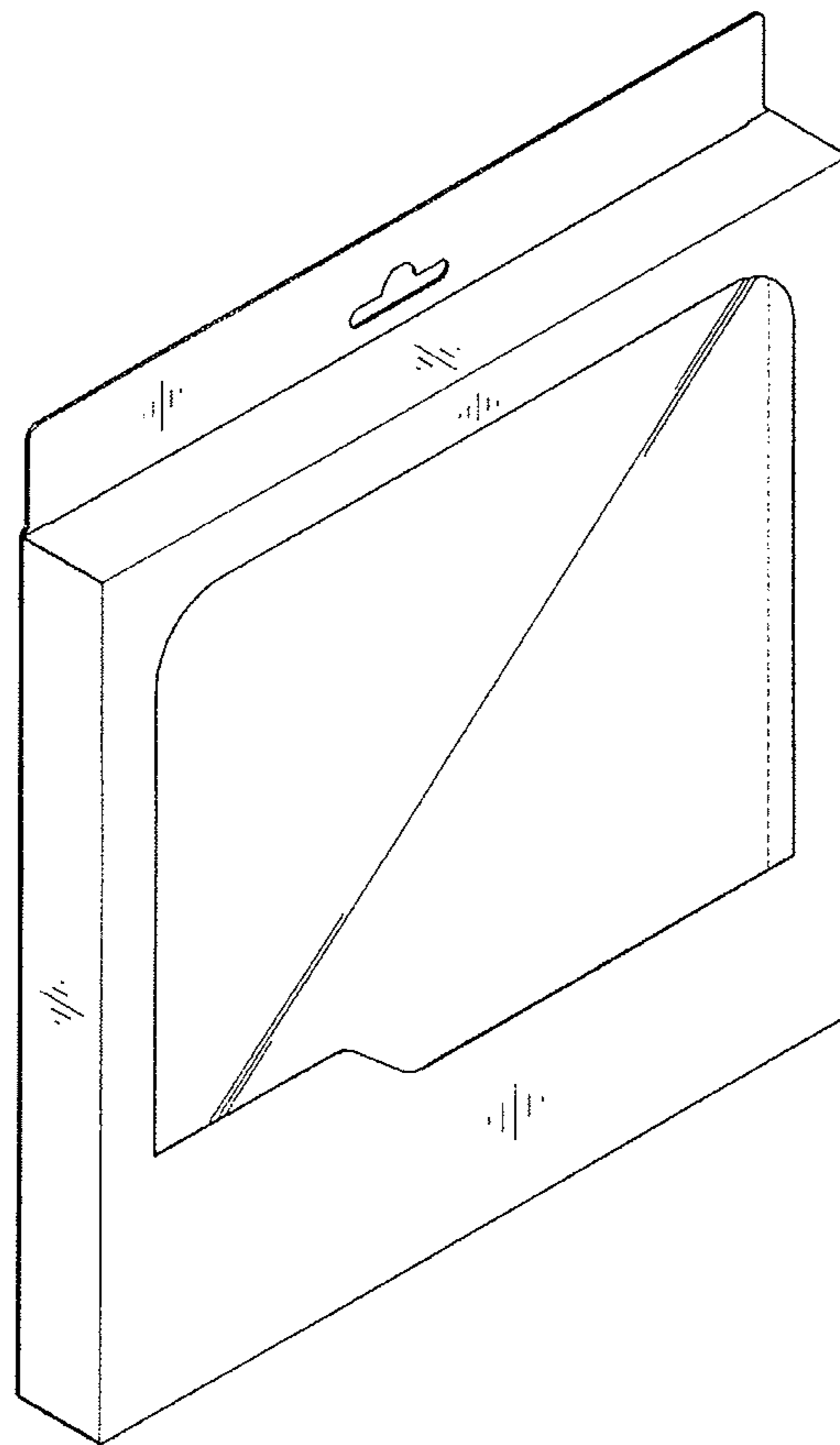


FIG. 2

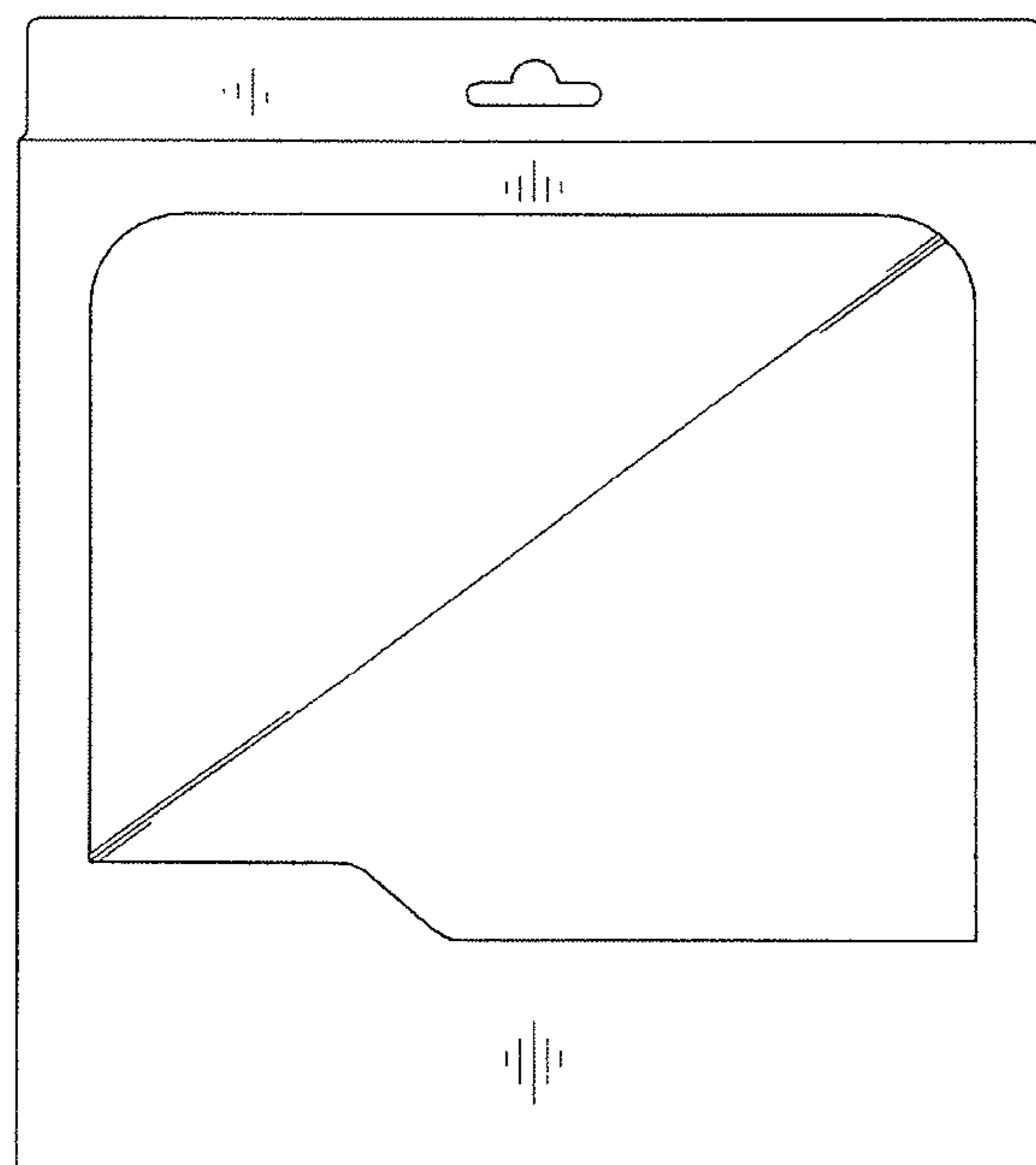


FIG. 3

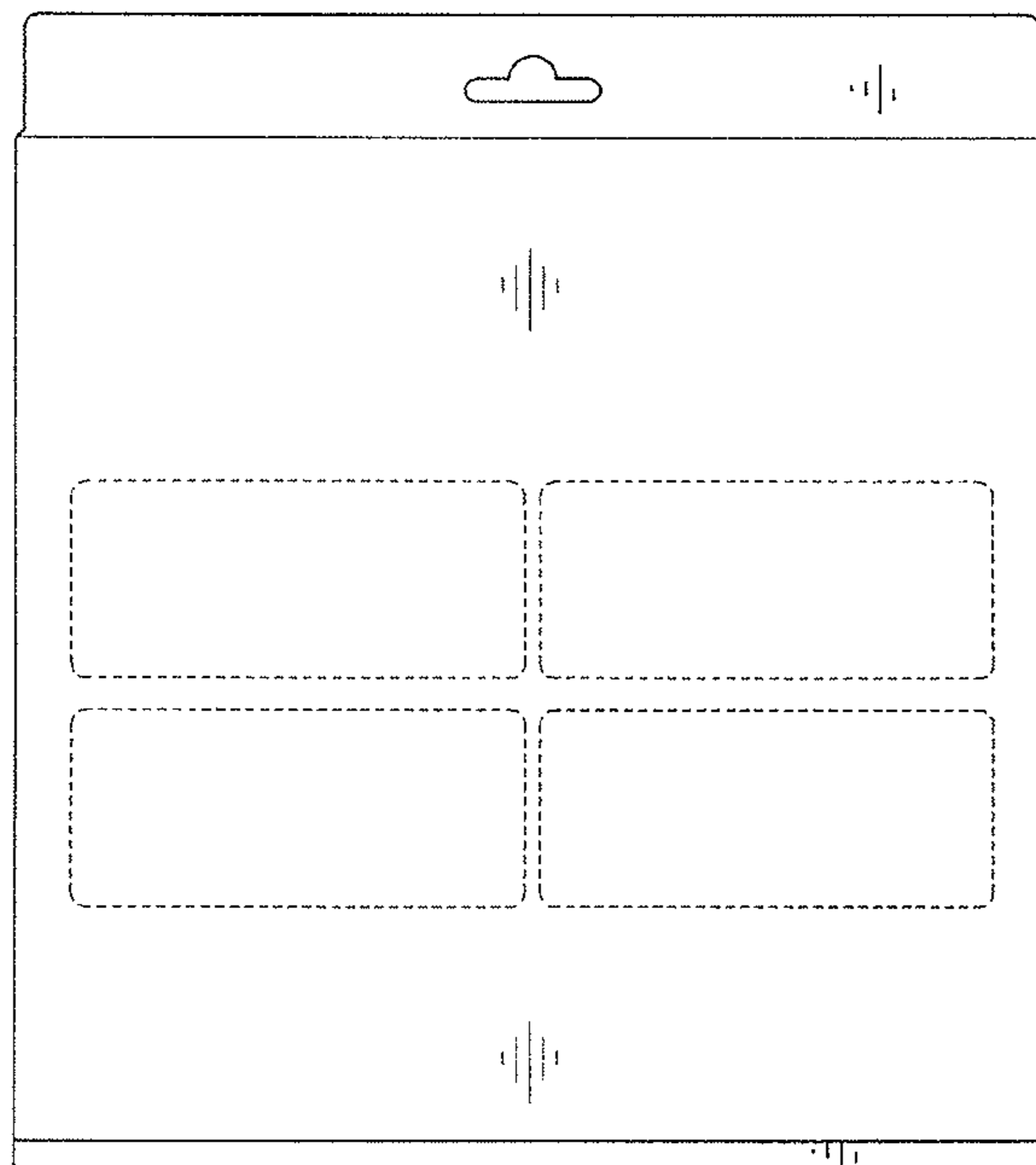


FIG. 4

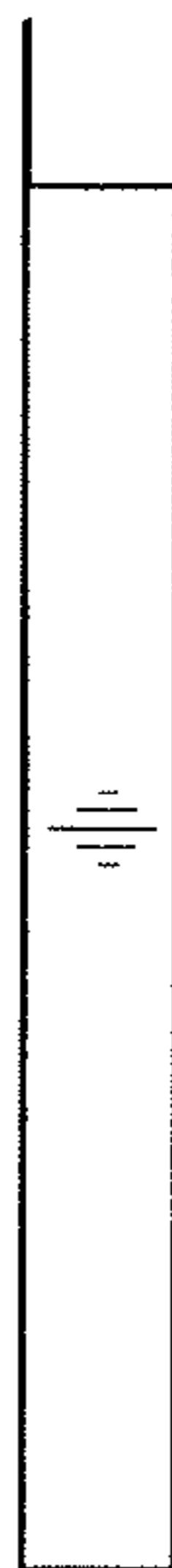


FIG. 5

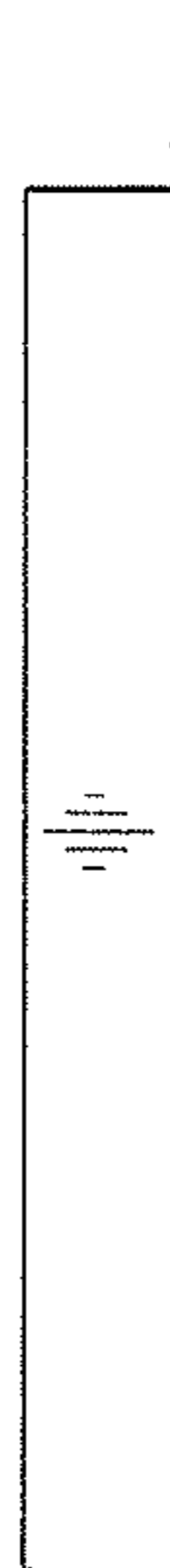


FIG. 6

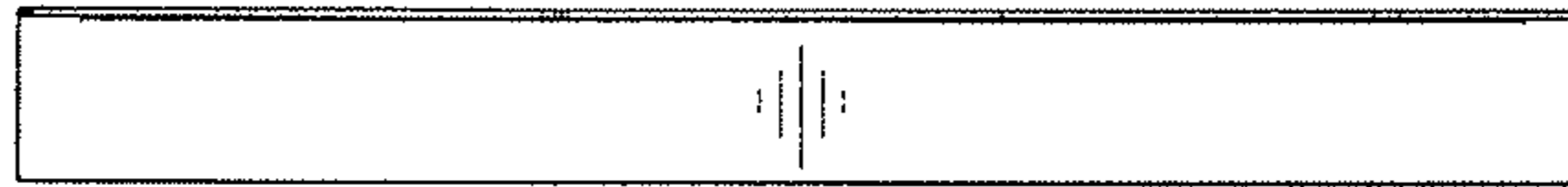


FIG. 7



FIG. 8

