

US00D732950S

(12) **United States Design Patent**
Young et al.

(10) **Patent No.:** **US D732,950 S**
(45) **Date of Patent:** **** Jun. 30, 2015**

(54) **COMBINED PILL CUTTER AND CRUSHER**

FOREIGN PATENT DOCUMENTS

(76) Inventors: **Allen Chandler Young**, Encinitas, CA (US); **Chi Hung Cao**, San Diego, CA (US); **Alexander James McKinnon**, Aliso Viejo, CA (US)

EP 1667629 12/2010
WO 2005030117 4/2005
WO 2007084554 7/2007

(**) Term: **14 Years**

(21) Appl. No.: **29/427,694**

(22) Filed: **Jul. 20, 2012**

(51) **LOC (10) CL.** **09-03**

(52) **U.S. Cl.**

USPC **D9/418**

(58) **Field of Classification Search**

USPC D24/220, 221, 216, 224, 231, 232, 197, D24/110, 133; D23/209, 365; D7/679, 682, D7/372-374, 383, 384, 597, 400, 191, 545, D7/509, 316, 565, 667, 317, 587; 241/168, 241/169, 169.1-169.2, 199.11, 273.2, 286, 241/262, 136, 30; D15/5; 604/708; 134/158

See application file for complete search history.

“Krocodile: Pill Splitter and Crusher, reference dated Dec. 9, 2012 (oldest review), found on internet Feb. 7, 2014 http://www.amazon.com/Krocodile-Pill-Splitter-and-Crusher/dp/B00AFGDS26/ref=sr_1_11?ie=UTF8&qid=1391802547&sr=8-11&keywords=pill+splitters”.*

Primary Examiner — Caron D Veynar

Assistant Examiner — Rhea Shields

(74) *Attorney, Agent, or Firm* — Fish & Tsang LLP

OTHER PUBLICATIONS

(57) **CLAIM**

The ornamental design for a combined pill cutter and crusher, as shown and described.

DESCRIPTION

FIG. 1 is a top, front left side perspective view of a combined pill cutter and crusher.

FIG. 2 is a front elevation view of the combined pill cutter and crusher.

FIG. 3 is a rear elevation view of the combined pill cutter and crusher.

FIG. 4 is a right side elevation view of the combined pill cutter and crusher (the left side elevation view being a mirror image).

FIG. 5 is a top plan view of the combined pill cutter and crusher (the bottom plan view being a mirror image).

FIG. 6 is a top, front, left side perspective view of the combined pill cutter and crusher in an open position with the pill cutter exposed; and,

FIG. 7 is a top, front, left side perspective view of the combined pill cutter and crusher in an open position with the pill crusher positioned for use and covering the pill cutter.

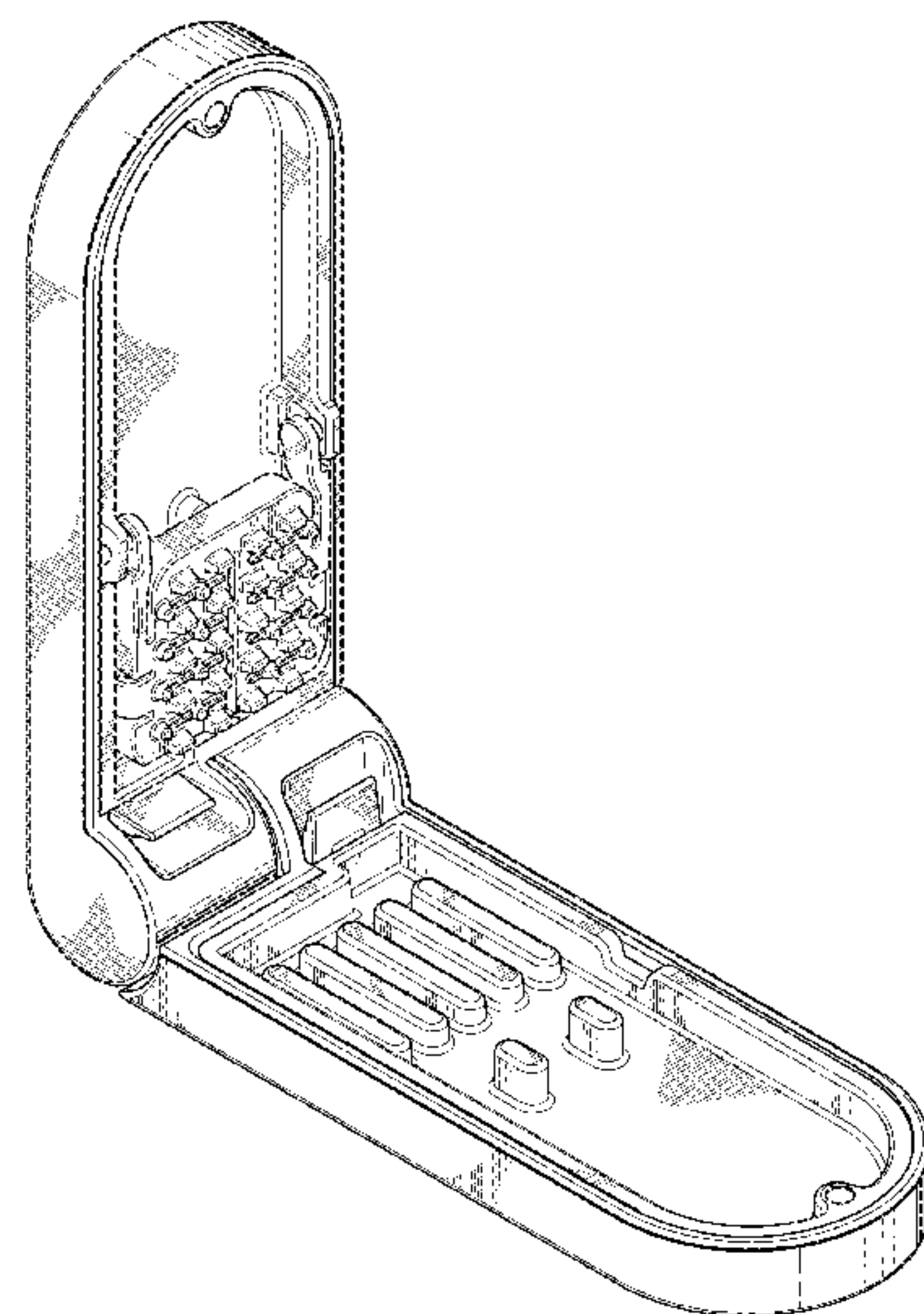
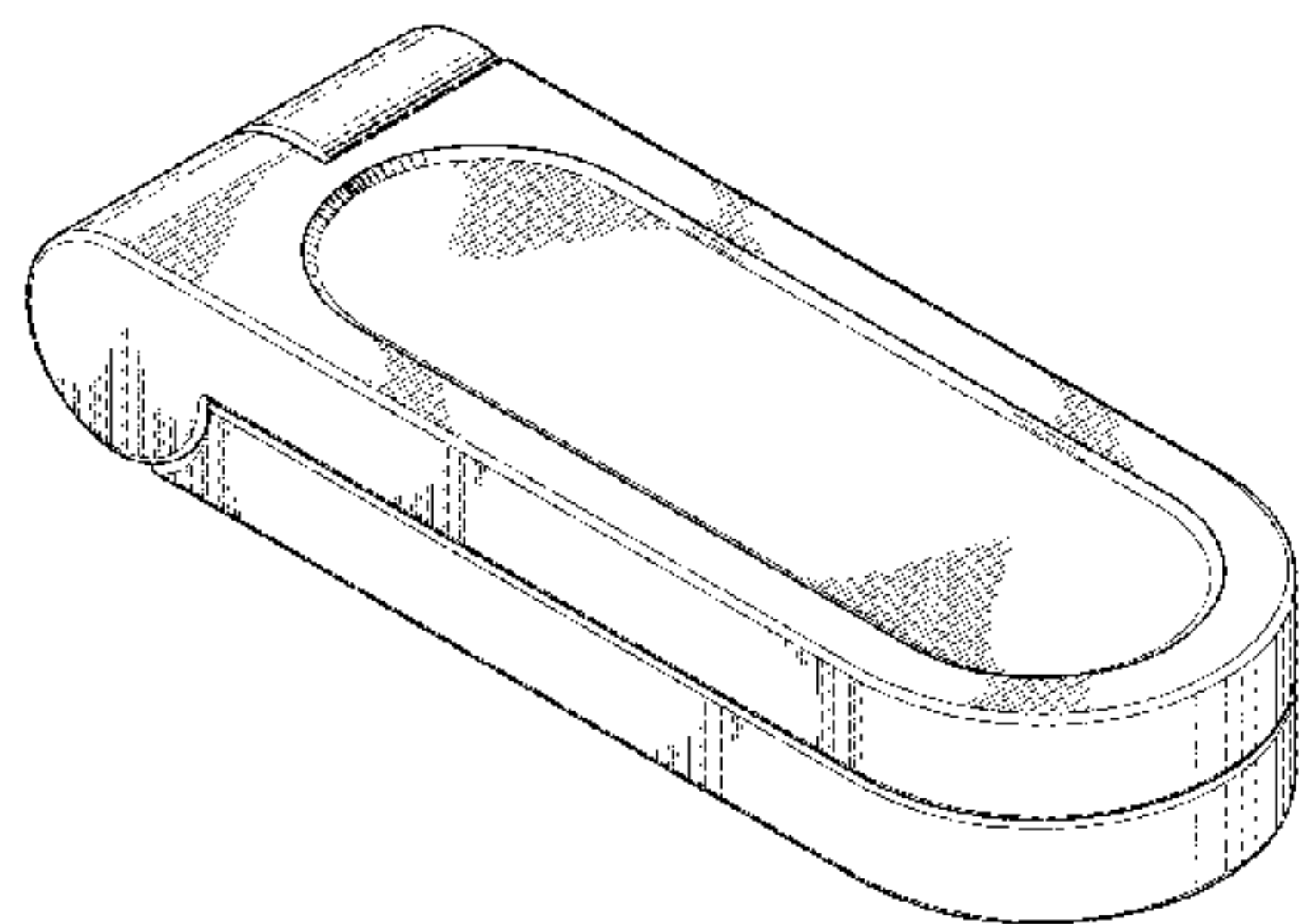
(56) **References Cited**

U.S. PATENT DOCUMENTS

D310,731 S * 9/1990 Lieptz D24/220
5,118,021 A 6/1992 Fiocchi
5,823,451 A 10/1998 Sharpe
5,863,001 A 1/1999 Schulze
D405,889 S 2/1999 Parsons
5,915,637 A 6/1999 Parsons
D419,684 S * 1/2000 Noble et al. D24/220
D420,140 S * 2/2000 Noble et al. D24/220
D468,023 S * 12/2002 Buckley et al. D24/220
6,637,683 B1 10/2003 (Lomax) Wilbur
7,243,826 B2 7/2007 Darst
7,252,254 B1 8/2007 Engel et al.
7,673,778 B2 * 3/2010 Sze 225/104
7,735,763 B2 6/2010 Bell et al.
7,845,588 B1 12/2010 Goodick

(Continued)

1 Claim, 4 Drawing Sheets



(56)

References Cited

U.S. PATENT DOCUMENTS

2005/0067452 A1 3/2005 Darst
2007/0164141 A1 7/2007 Engel et al.

2007/0228053 A1 10/2007 Darst
2008/0061175 A1 3/2008 Engel et al.
2008/0078797 A1 4/2008 Frick
2012/0060374 A1* 3/2012 Noble et al. 30/124

* cited by examiner

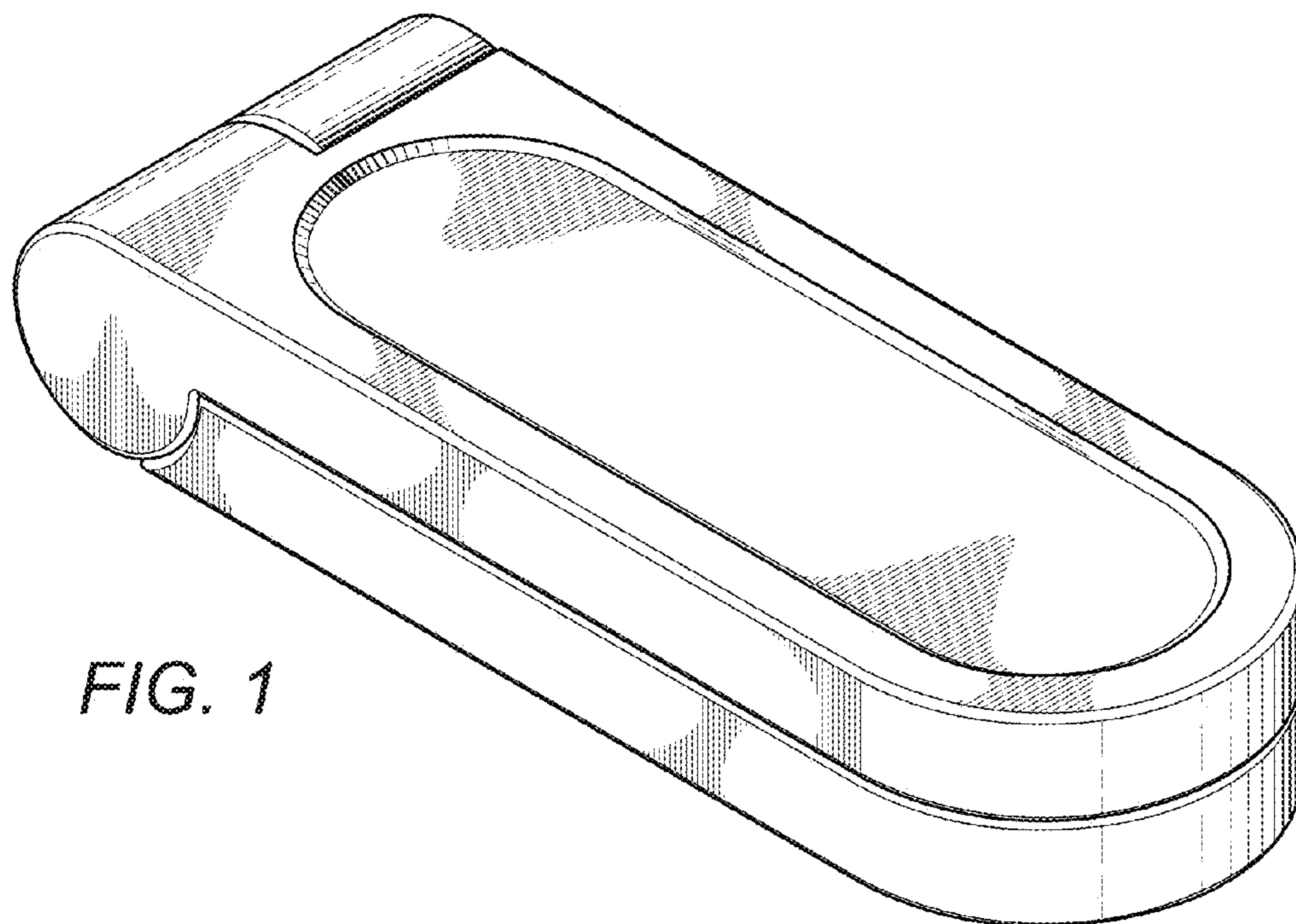


FIG. 1

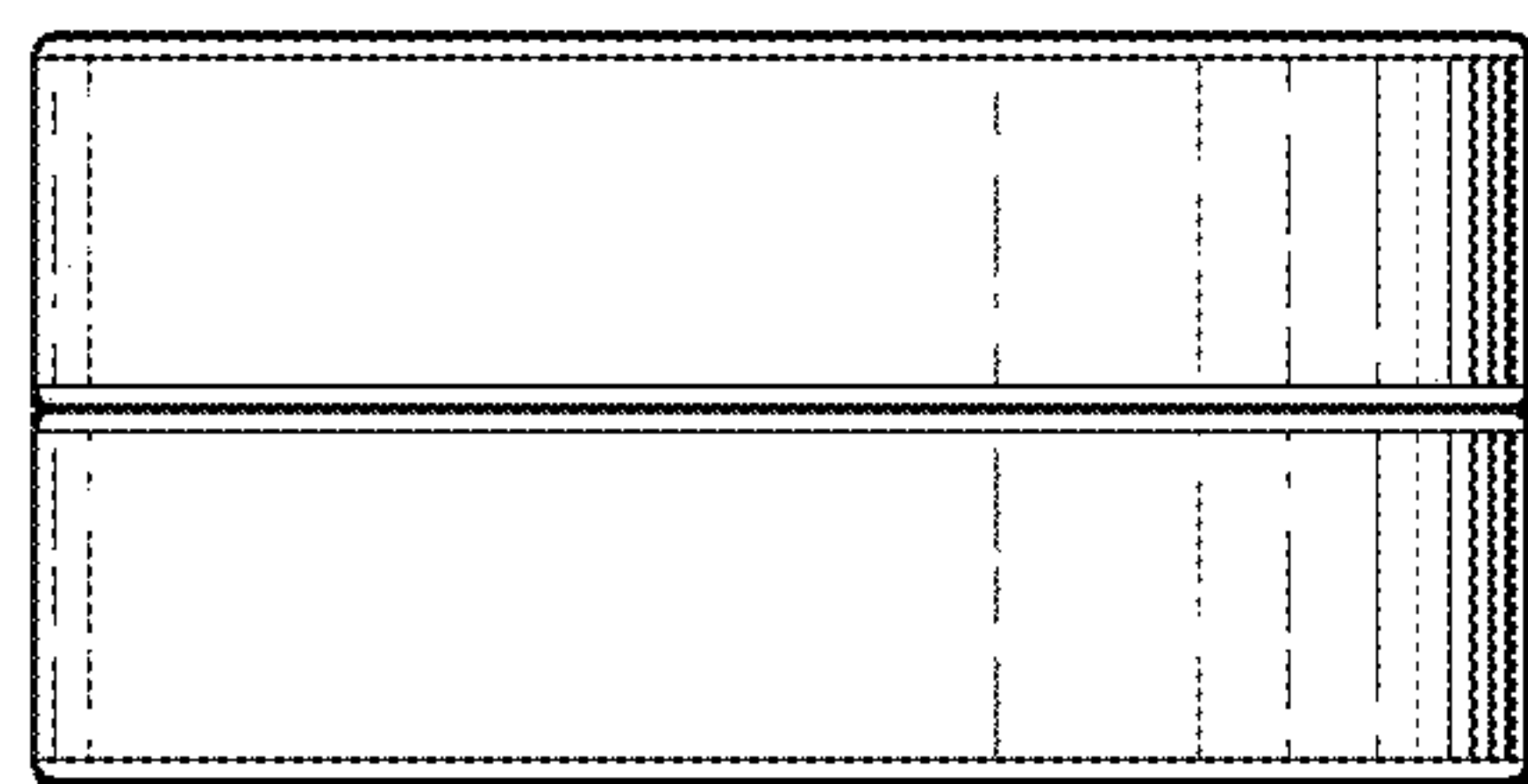
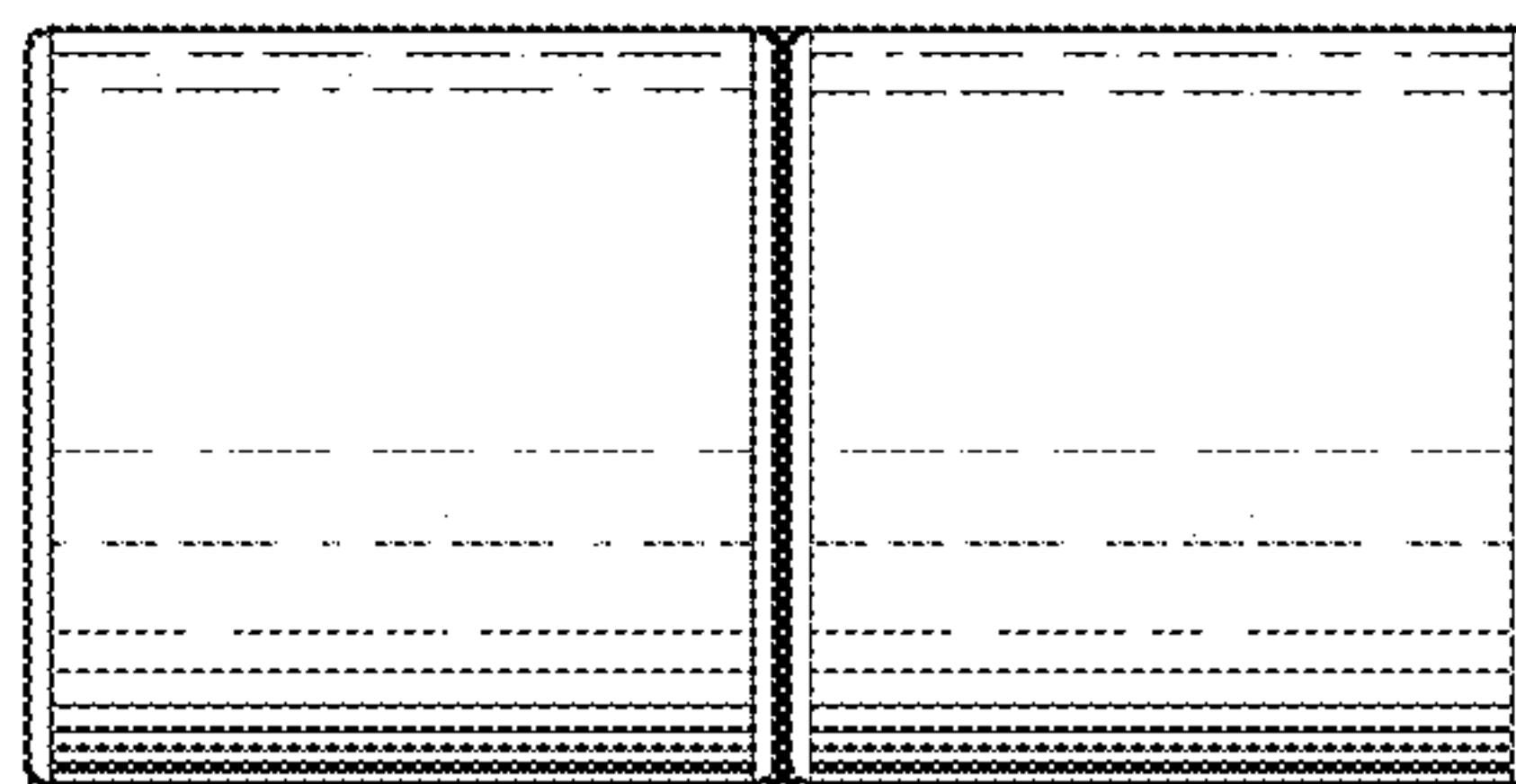


FIG. 2

FIG. 3



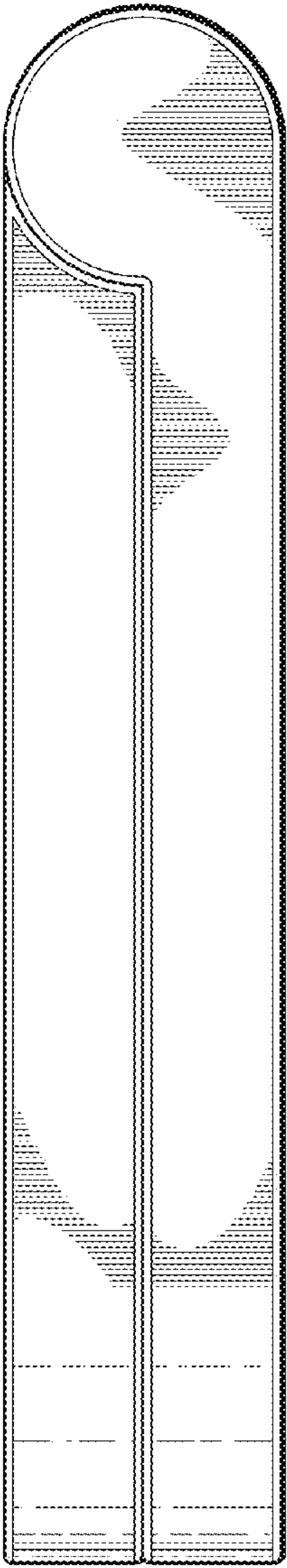


FIG. 4

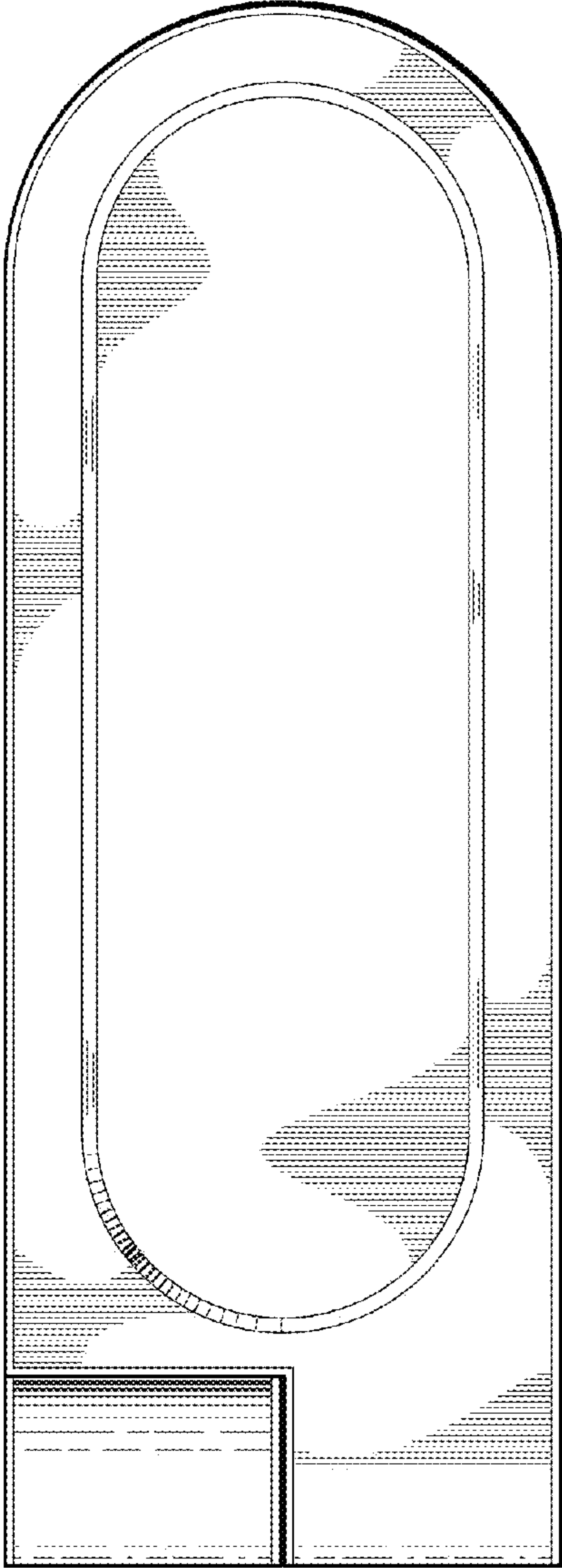


FIG. 5

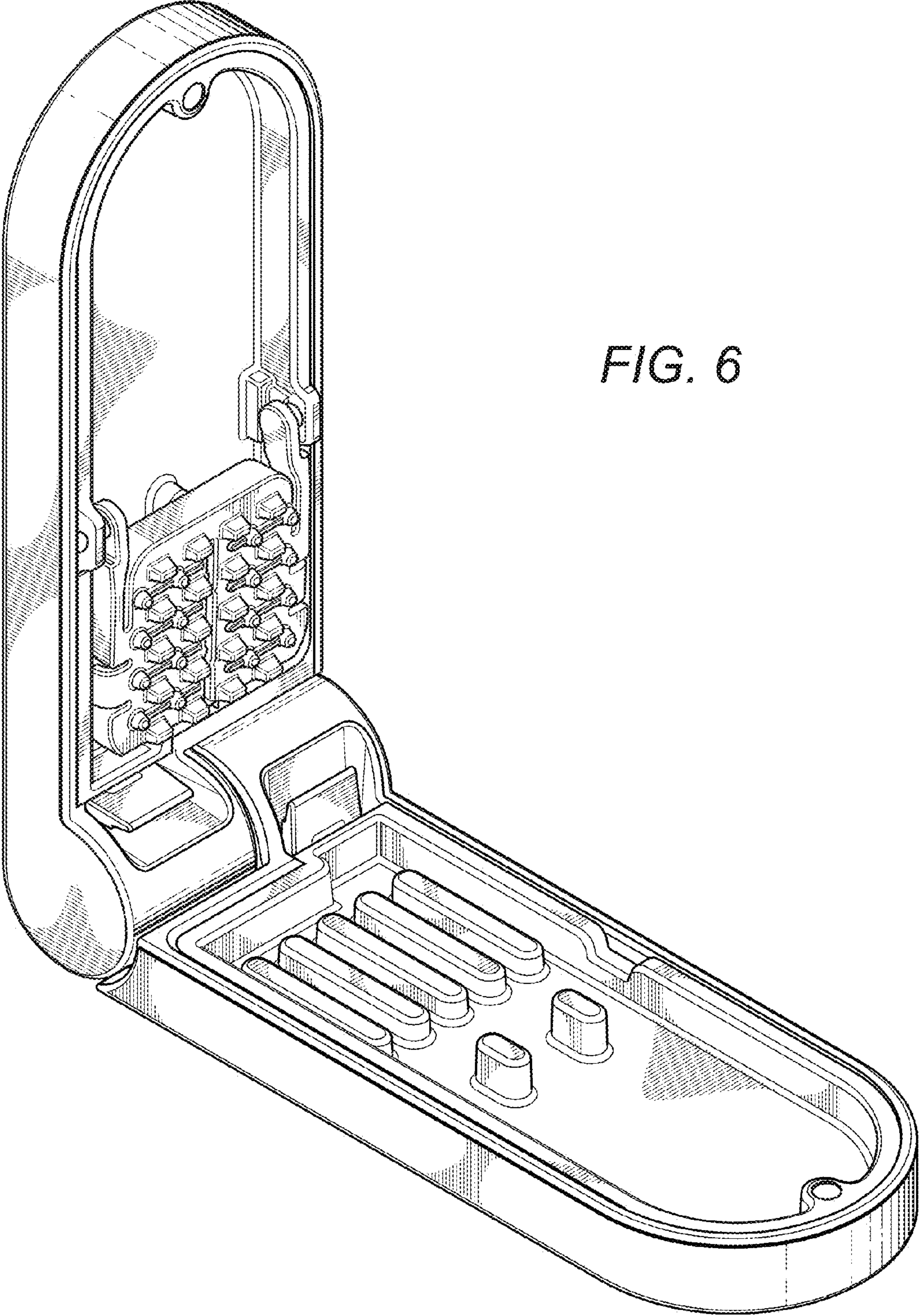


FIG. 6

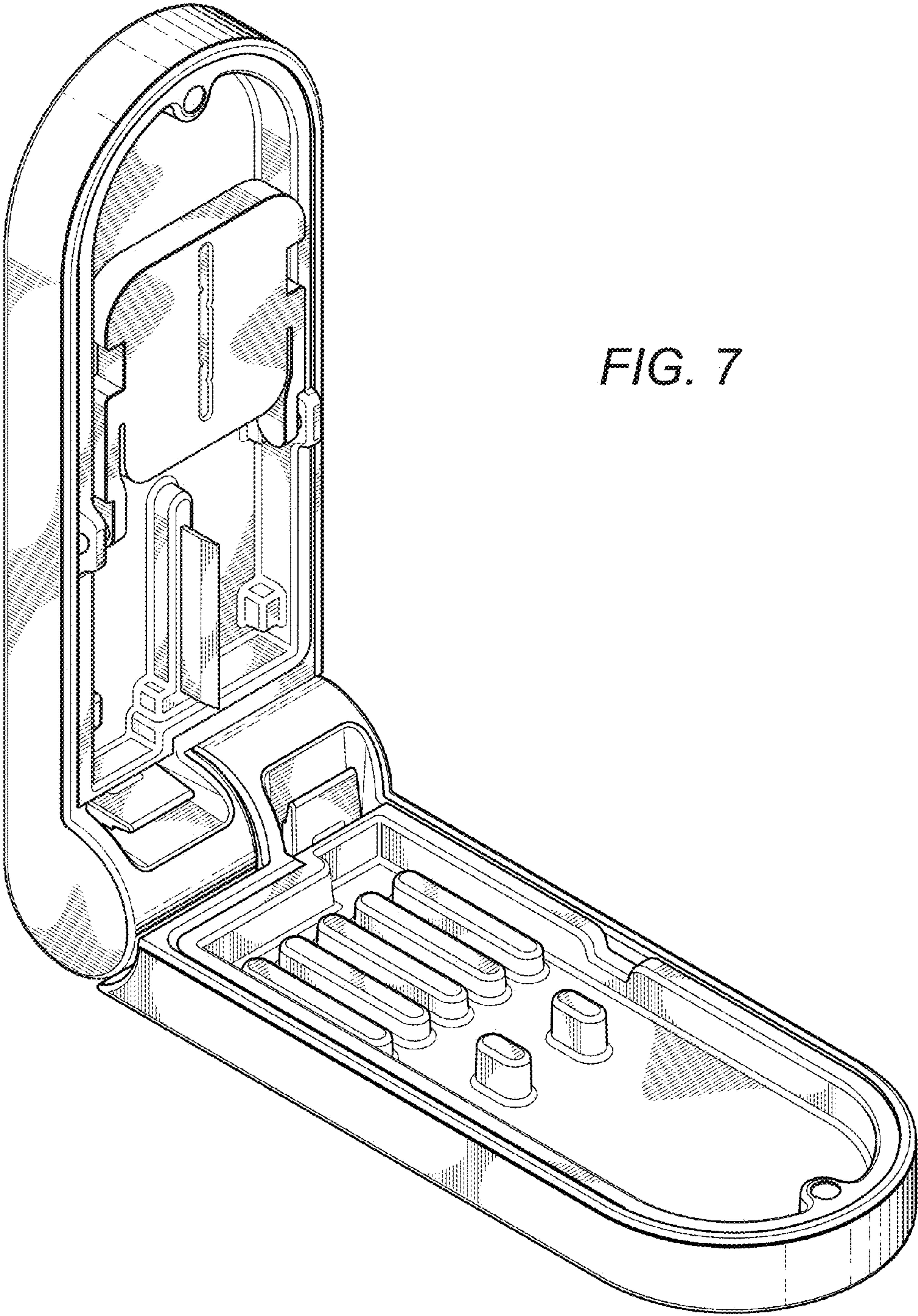


FIG. 7