



US00D732948S

(12) **United States Design Patent**
Chang

(10) **Patent No.:** **US D732,948 S**
(45) **Date of Patent:** **** Jun. 30, 2015**

- (54) **FIXING MEMBER OF TOOL HOLDER**
- (71) Applicant: **CHUN NIEN PLASTIC LTD.,**
Taichung (TW)
- (72) Inventor: **Chi-Tsai Chang,** Taichung (TW)
- (73) Assignee: **Chun Nien Plastic Ltd.,** Taichung (TW)
- (**) Term: **14 Years**
- (21) Appl. No.: **29/484,572**
- (22) Filed: **Mar. 11, 2014**

(30) **Foreign Application Priority Data**

Sep. 13, 2013 (TW) 102306149

(51) **LOC (10) Cl.** **09-03**

(52) **U.S. Cl.**
USPC **D9/415**

(58) **Field of Classification Search**
USPC D9/414, 415, 434, 455, 456, 457, 501;
40/642.01; 206/349, 495; 248/309.1
See application file for complete search history.

(56) **References Cited**

U.S. PATENT DOCUMENTS

4,286,724	A *	9/1981	Andersson	220/502
D352,219	S *	11/1994	Chow	D8/71
D363,880	S *	11/1995	Liebmann	D9/456
D366,829	S *	2/1996	Chervenak et al.	D9/415
5,602,612	A *	2/1997	Angeli et al.	396/535
6,439,529	B1 *	8/2002	Wong	248/346.01
6,874,630	B2 *	4/2005	Lin Wu	206/349
6,966,165	B2 *	11/2005	Hernandez et al.	53/416
7,219,807	B2 *	5/2007	Kao	211/70.6
7,249,922	B2 *	7/2007	Yoneoka	411/45
D587,107	S *	2/2009	Hao	D9/415
7,553,116	B2 *	6/2009	Lesecq	411/45
D609,561	S *	2/2010	Baker et al.	D9/415
8,281,925	B2 *	10/2012	Chang	206/378

D678,722	S *	3/2013	Lona Santoyo et al.	D7/407
D685,225	S *	7/2013	Santoyo et al.	D7/407
D697,369	S *	1/2014	Lona Santoyo et al.	D7/407
D708,586	S *	7/2014	Auguste et al.	D13/156
D710,668	S *	8/2014	Wu	D8/71
2002/0162763	A1 *	11/2002	Chow	206/349
2002/0175257	A1 *	11/2002	Yen	248/309.1
2006/0037885	A1 *	2/2006	Hilbourne	206/525
2006/0086636	A1 *	4/2006	Kuo	206/495
2008/0272017	A1 *	11/2008	Chang	206/349
2012/0074009	A1 *	3/2012	Chang	206/349
2012/0091082	A1 *	4/2012	Chang	211/70.6
2012/0305412	A1 *	12/2012	Chen	206/1.5
2013/0320174	A1 *	12/2013	Chang	248/309.1

* cited by examiner

Primary Examiner — Susan Bennett Hattan

Assistant Examiner — Leanne Was

(74) *Attorney, Agent, or Firm* — Muncy, Geissler, Olds & Lowe, P.C.

(57) **CLAIM**

I claim the ornamental design for a fixing member of tool holder, as shown and described.

DESCRIPTION

FIG. 1 is a perspective view of a fixing member of tool holder showing my new design;

FIG. 2 is a front elevational view thereof;

FIG. 3 is a rear elevational view thereof;

FIG. 4 is a left side view thereof;

FIG. 5 is a right side view thereof;

FIG. 6 is a top plan view thereof;

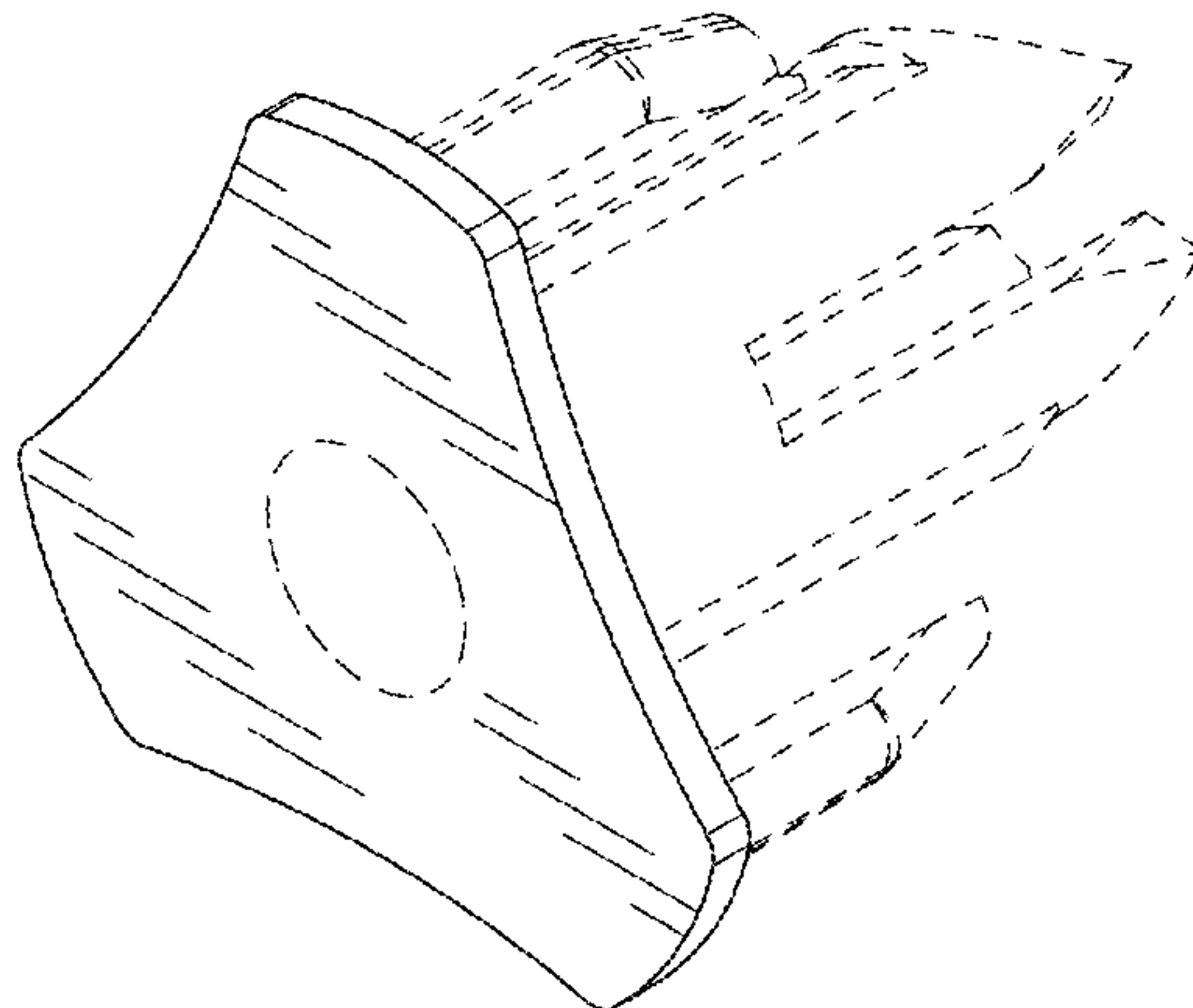
FIG. 7 is a bottom plan view thereof; and,

FIG. 8 is a view that shows the fixing member of tool holder in use.

The broken lines in FIGS. 1-7 depict portions of the fixing member of tool holder that form no part of the claimed design.

The broken lines in FIG. 8 depict environment only and form no part of the claimed design.

1 Claim, 5 Drawing Sheets



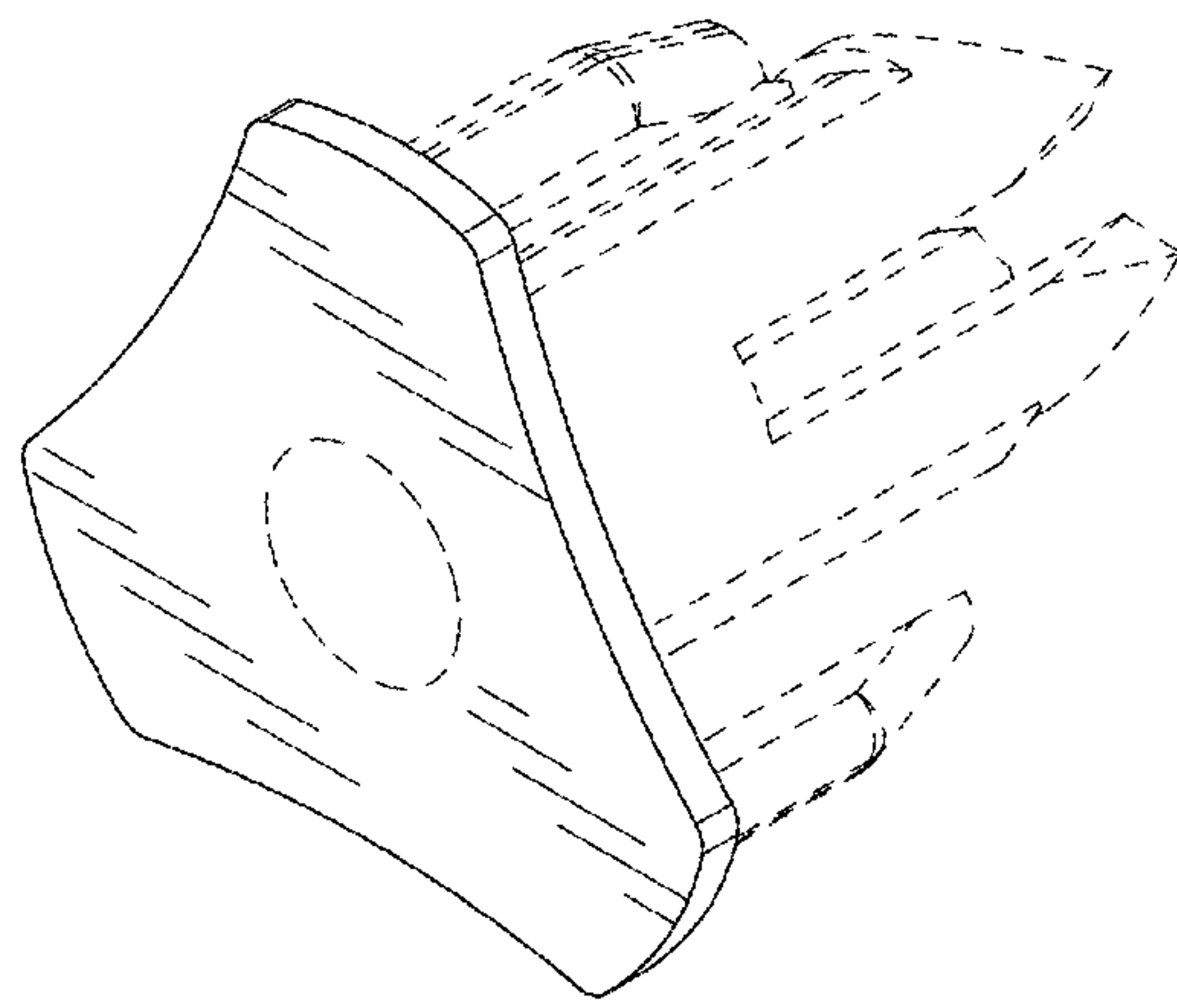


FIG. 1

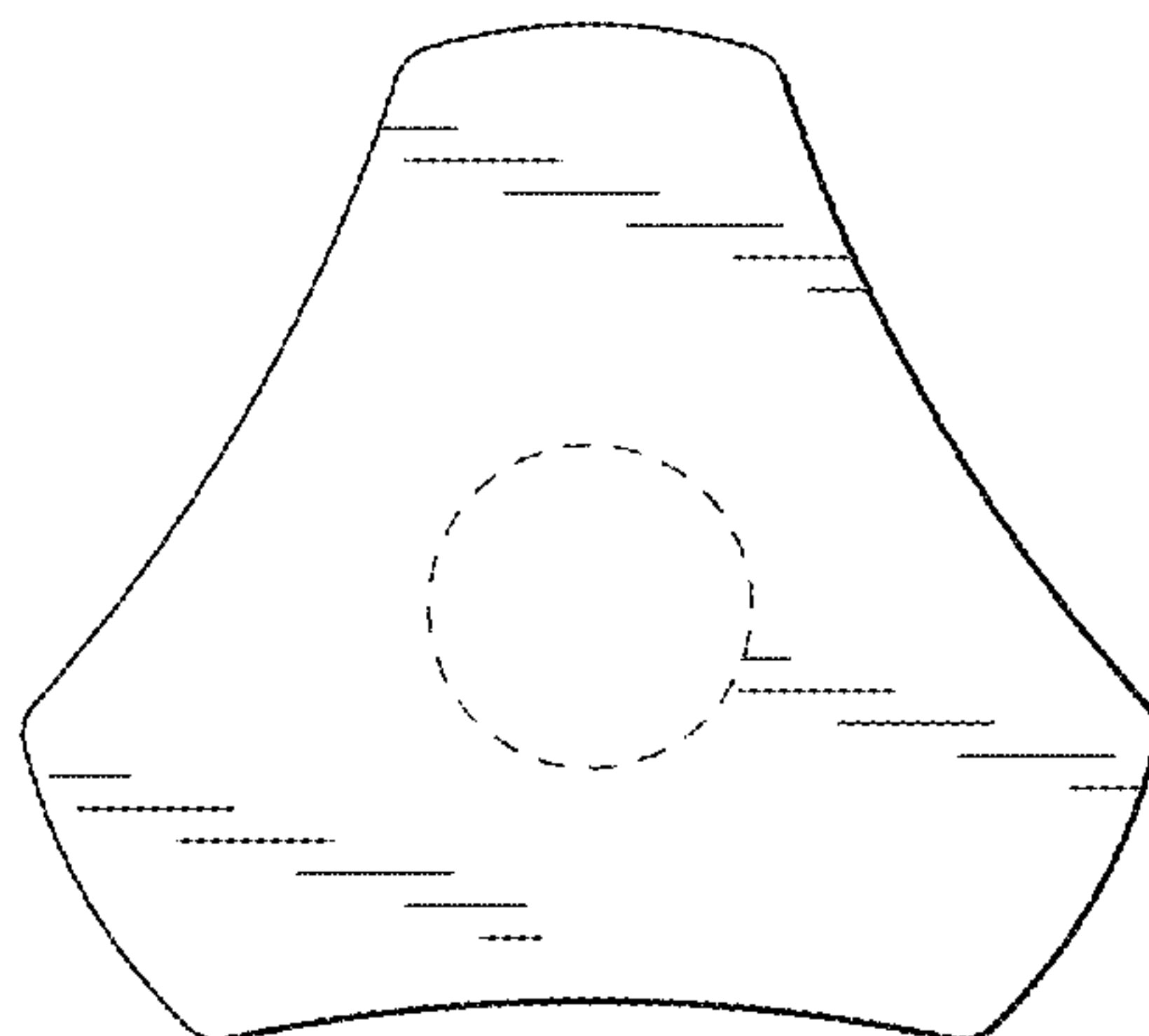


FIG. 2

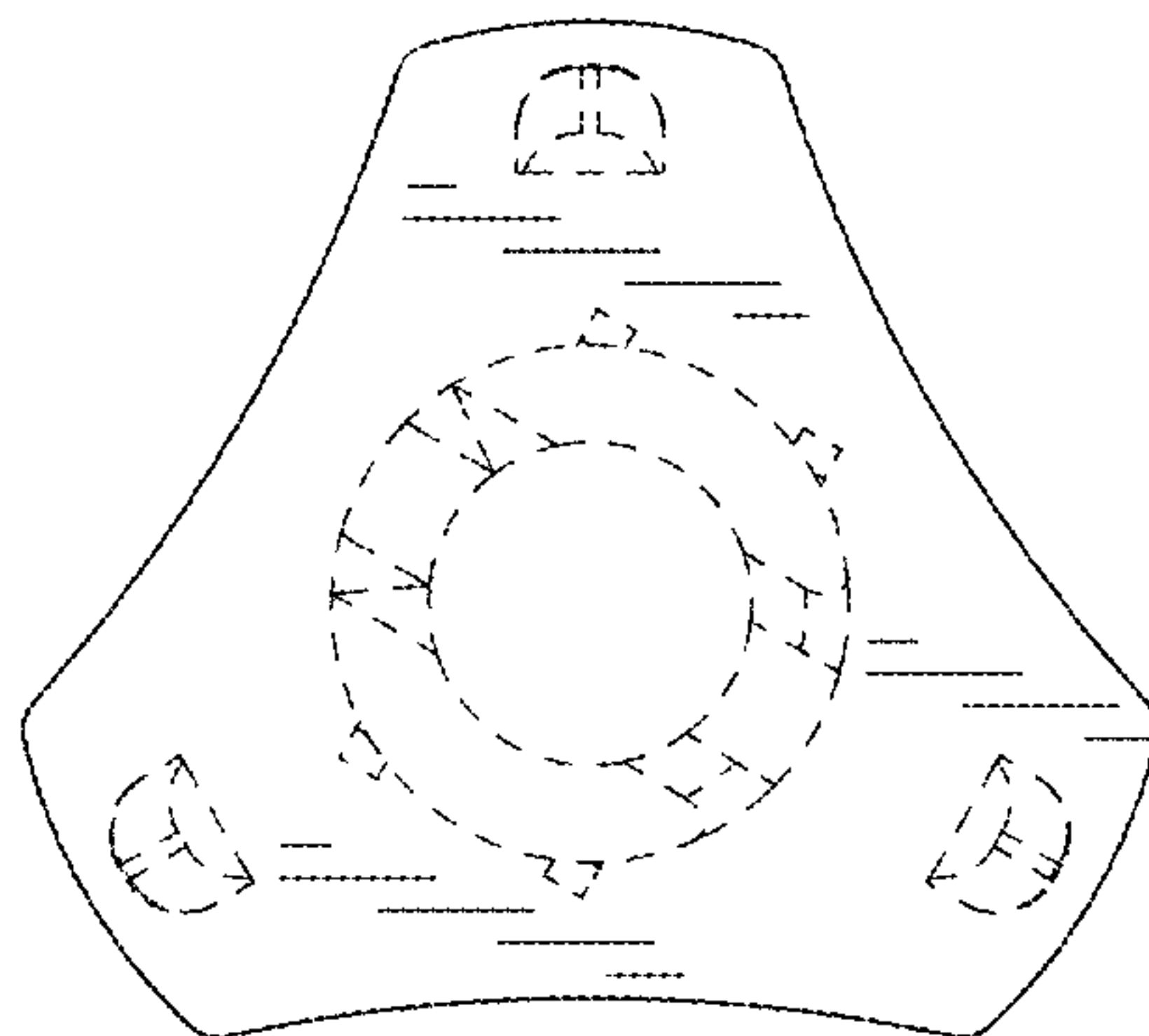


FIG. 3

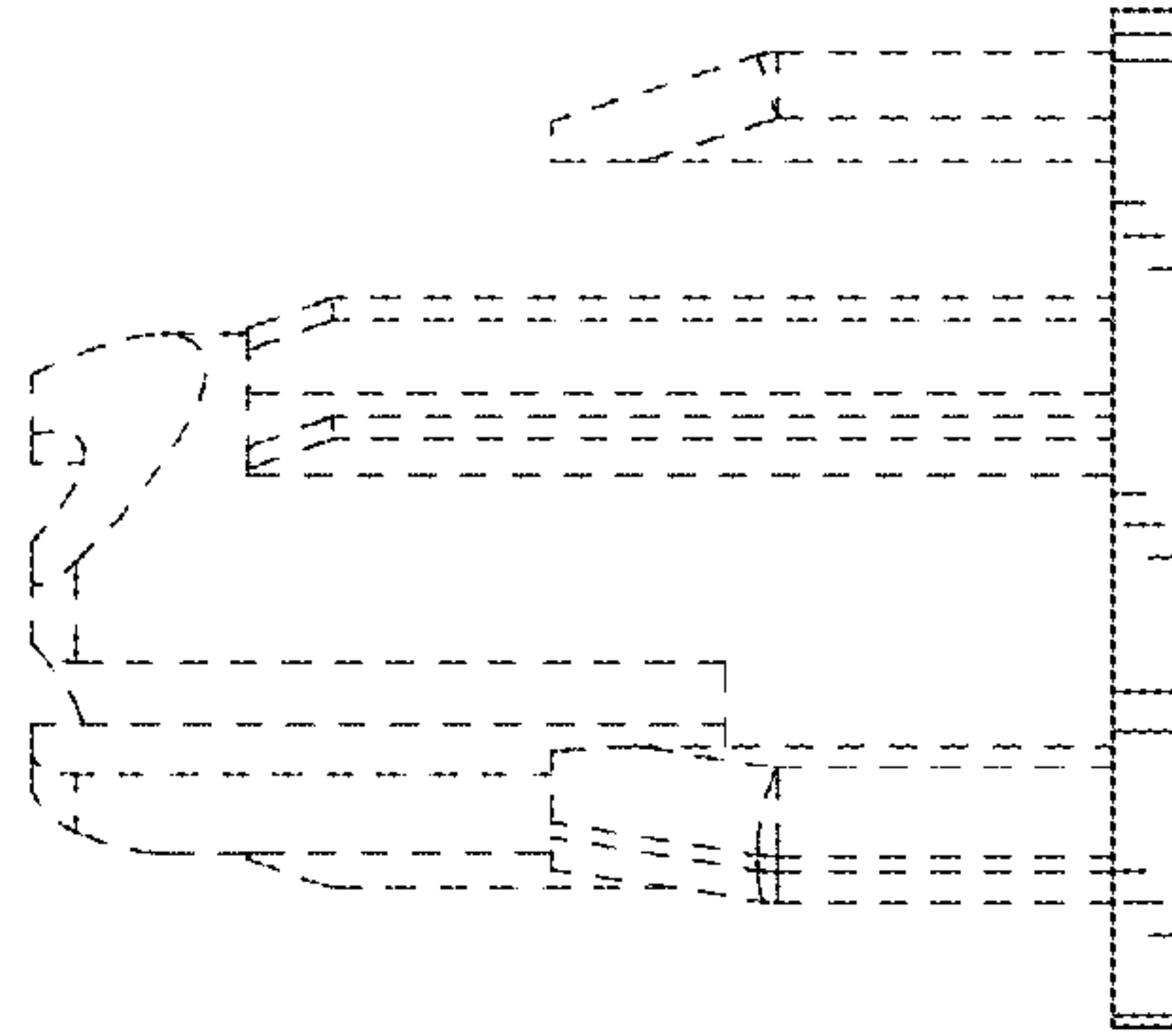


FIG. 4

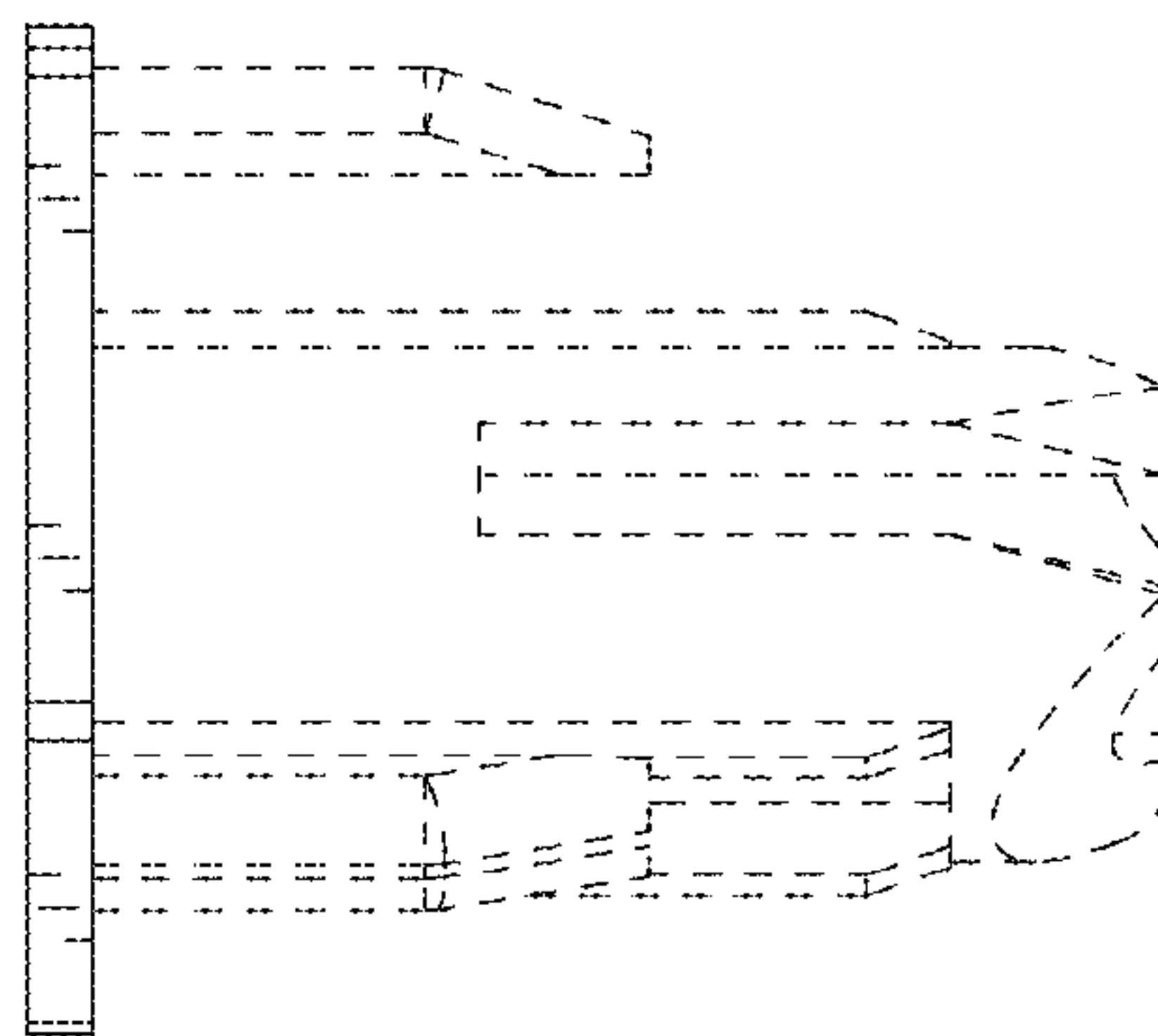


FIG. 5

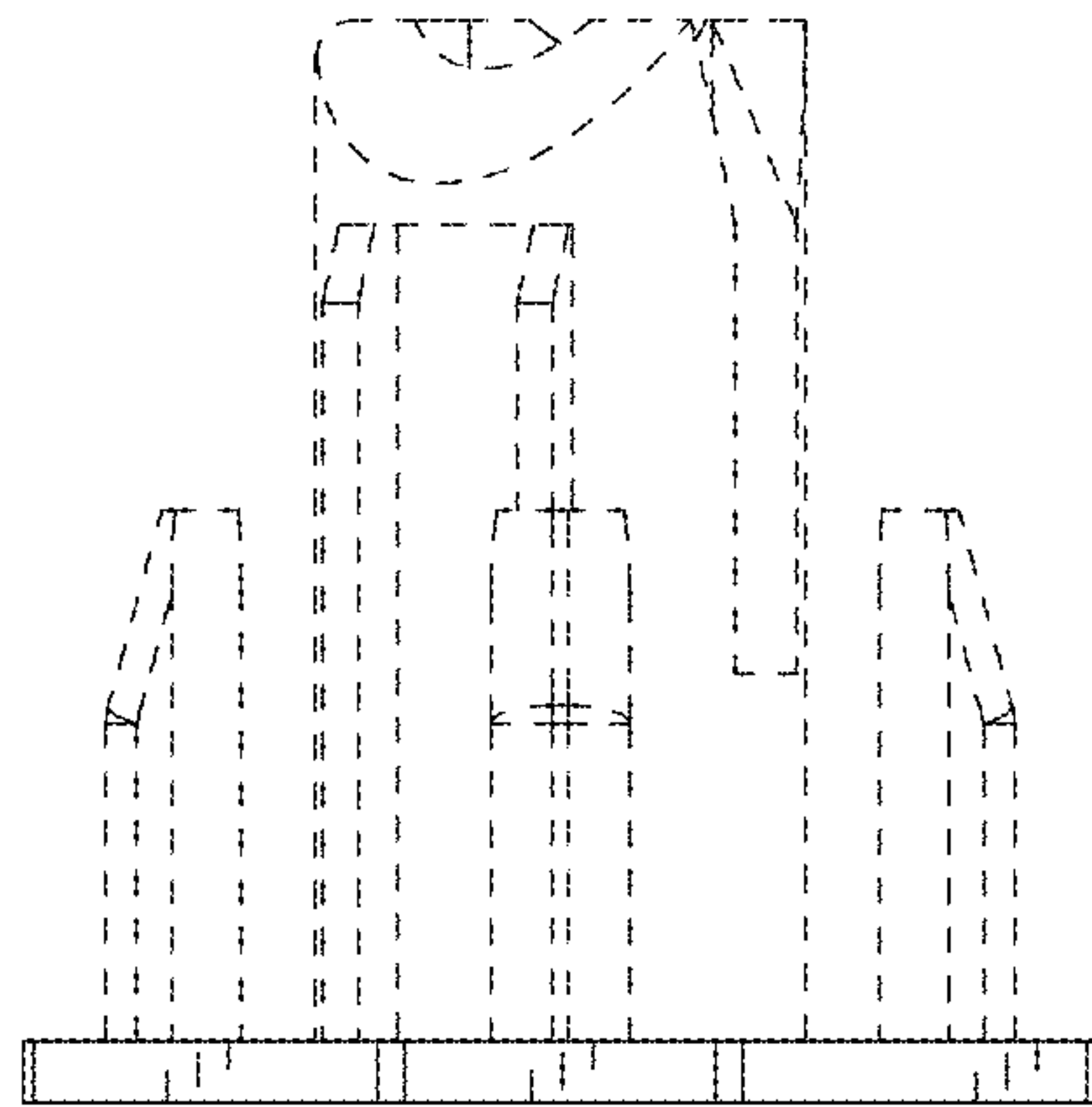


FIG. 6

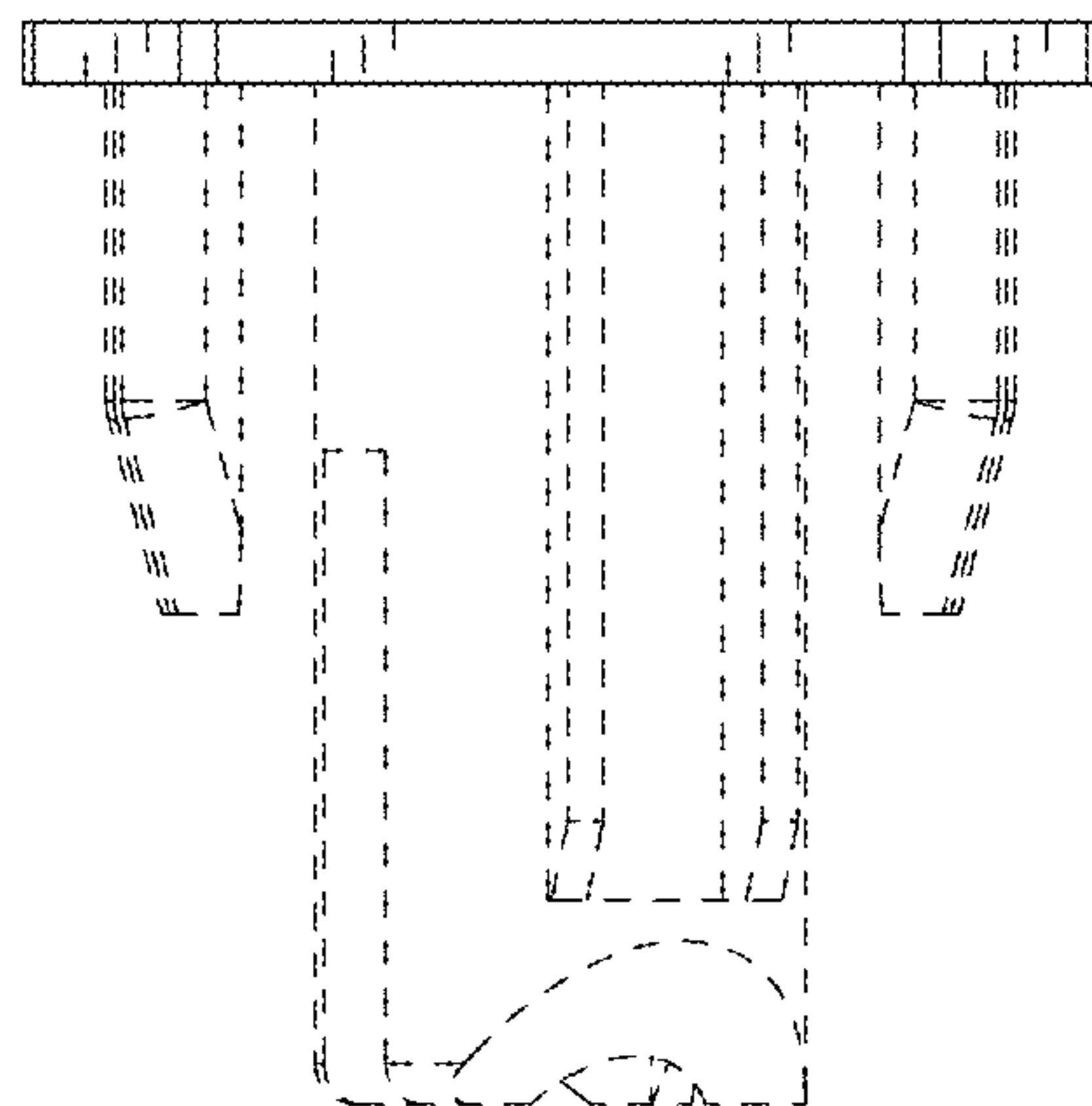


FIG. 7

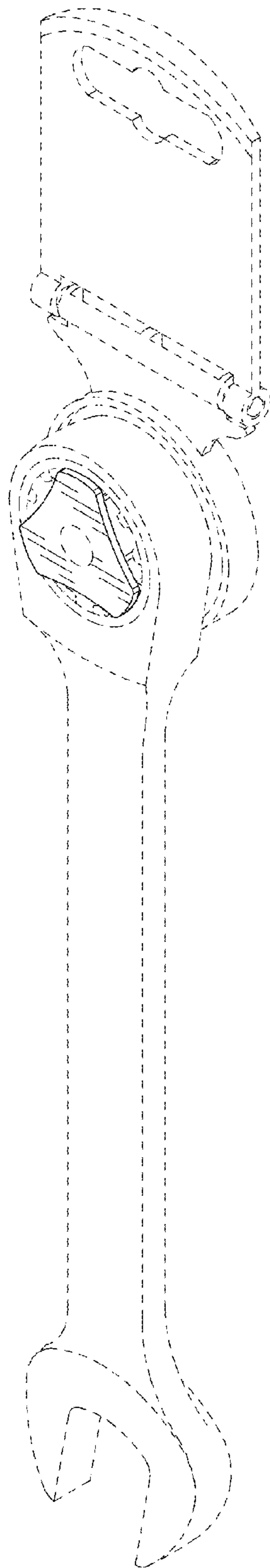


FIG. 8