



US00D732947S

(12) **United States Design Patent**
Canuto

(10) **Patent No.:** **US D732,947 S**
(45) **Date of Patent:** **** Jun. 30, 2015**

- (54) **BOX**
- (71) Applicant: **SOREMARTEC S.A.**, Arlon (BE)
- (72) Inventor: **Franco Canuto**, Racca di Guarene (IT)
- (73) Assignee: **SOREMARTEC S.A.**, Findel (LU)
- (**) Term: **14 Years**
- (21) Appl. No.: **29/455,993**
- (22) Filed: **May 28, 2013**

- (30) **Foreign Application Priority Data**
- May 15, 2013 (WO) 738025801
- (51) **LOC (10) Cl.** **09-03**
- (52) **U.S. Cl.**
- USPC **D9/414**
- (58) **Field of Classification Search**
- USPC D9/415, 416, 418, 414, 428, 431, 457,
D9/455, 503; 206/265, 268, 530, 533;
229/160.1, 87.07, 406, 800, 182.1
- See application file for complete search history.

- (56) **References Cited**
- U.S. PATENT DOCUMENTS**
- D322,687 S * 12/1991 Tschudin D27/189
- D449,782 S * 10/2001 Diaz D7/629
- D644,511 S * 9/2011 England D9/433
- D653,391 S * 1/2012 Chuan D27/156

- D675,918 S * 2/2013 Holford D9/423
- D678,057 S * 3/2013 Holford D9/434
- D698,642 S * 2/2014 Tawada D9/423

* cited by examiner

Primary Examiner — Holly Baynham

Assistant Examiner — Rhea Shields

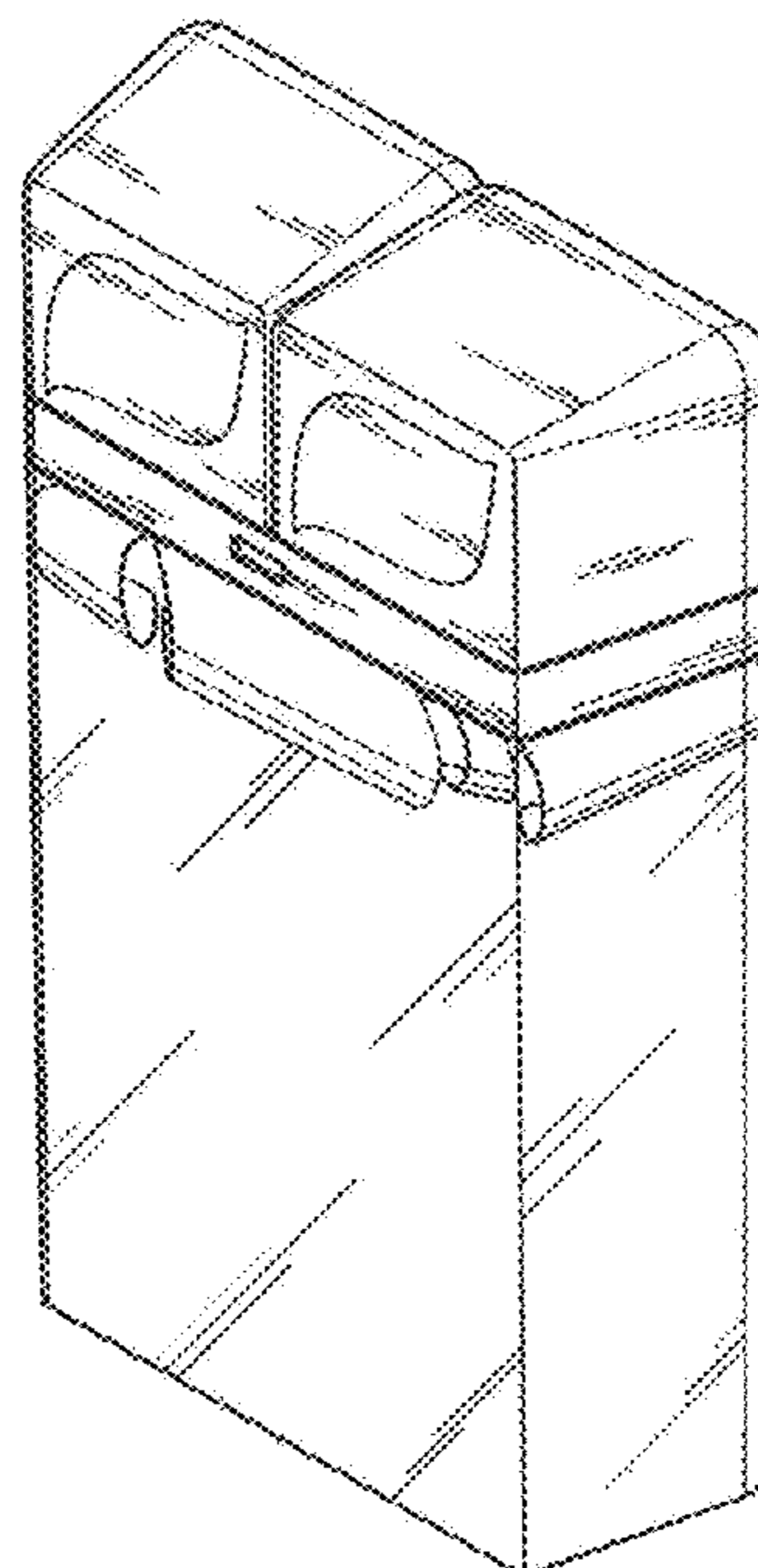
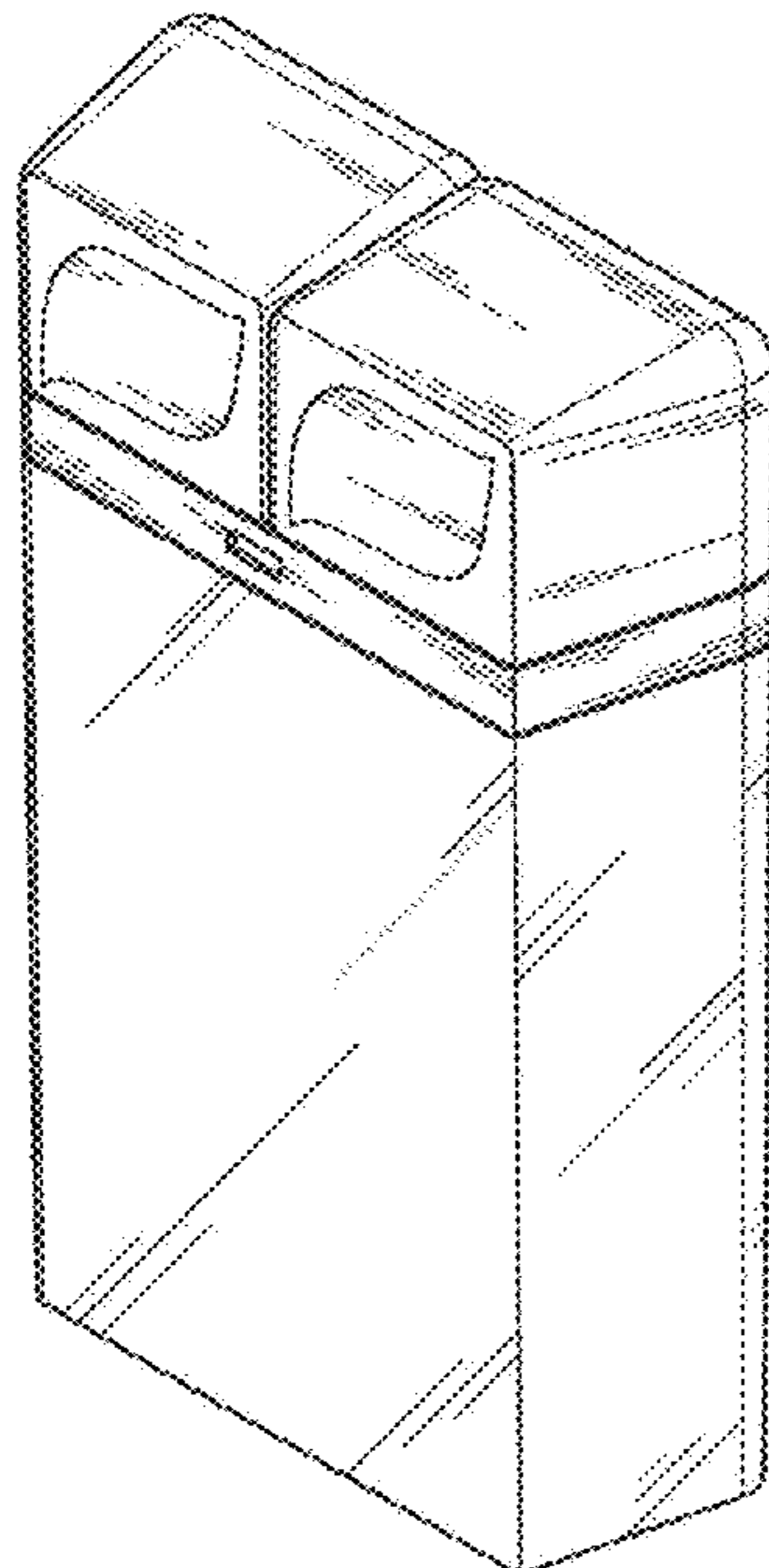
(74) *Attorney, Agent, or Firm* — Rothwell, Figg, Ernst & Manbeck, P.C.

(57) **CLAIM**
The ornamental design for a box, as shown and described.

DESCRIPTION

FIG. 1 shows a front elevation view of a first embodiment of a box showing the new design;
 FIG. 2 shows a rear elevation view thereof;
 FIG. 3 shows a right side elevation view thereof;
 FIG. 4 shows a left side elevation view thereof;
 FIG. 5 shows a top plan view thereof;
 FIG. 6 shows a bottom plan view thereof;
 FIG. 7 shows a perspective view thereof;
 FIG. 8 shows a front elevation view of a second embodiment of a box showing the new design;
 FIG. 9 shows a rear elevation view thereof;
 FIG. 10 shows a right side elevation view thereof;
 FIG. 11 shows a left side elevation view thereof;
 FIG. 12 shows a top plan view thereof;
 FIG. 13 shows a bottom plan view thereof; and,
 FIG. 14 shows a perspective view thereof.

1 Claim, 14 Drawing Sheets



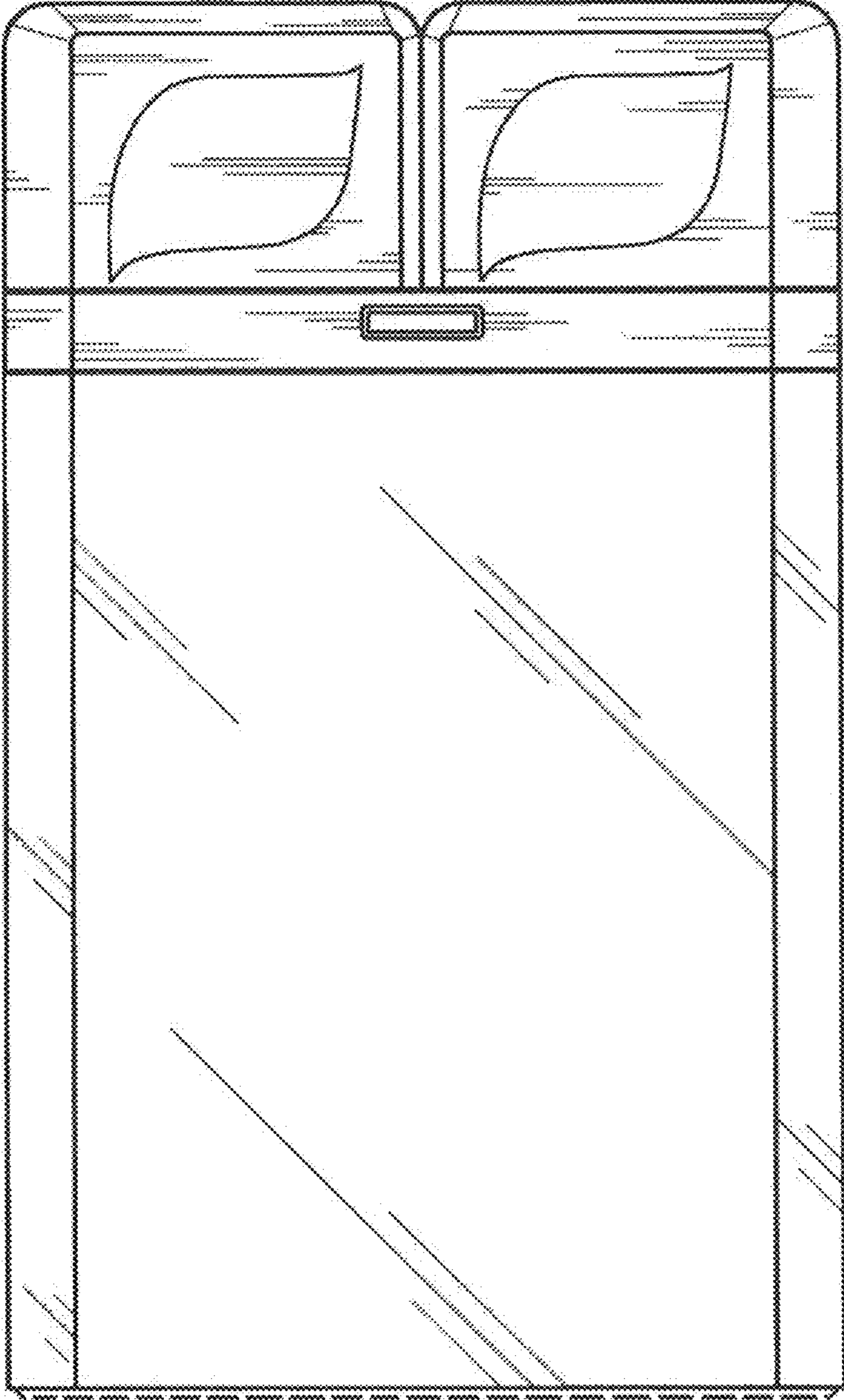


FIG. 1

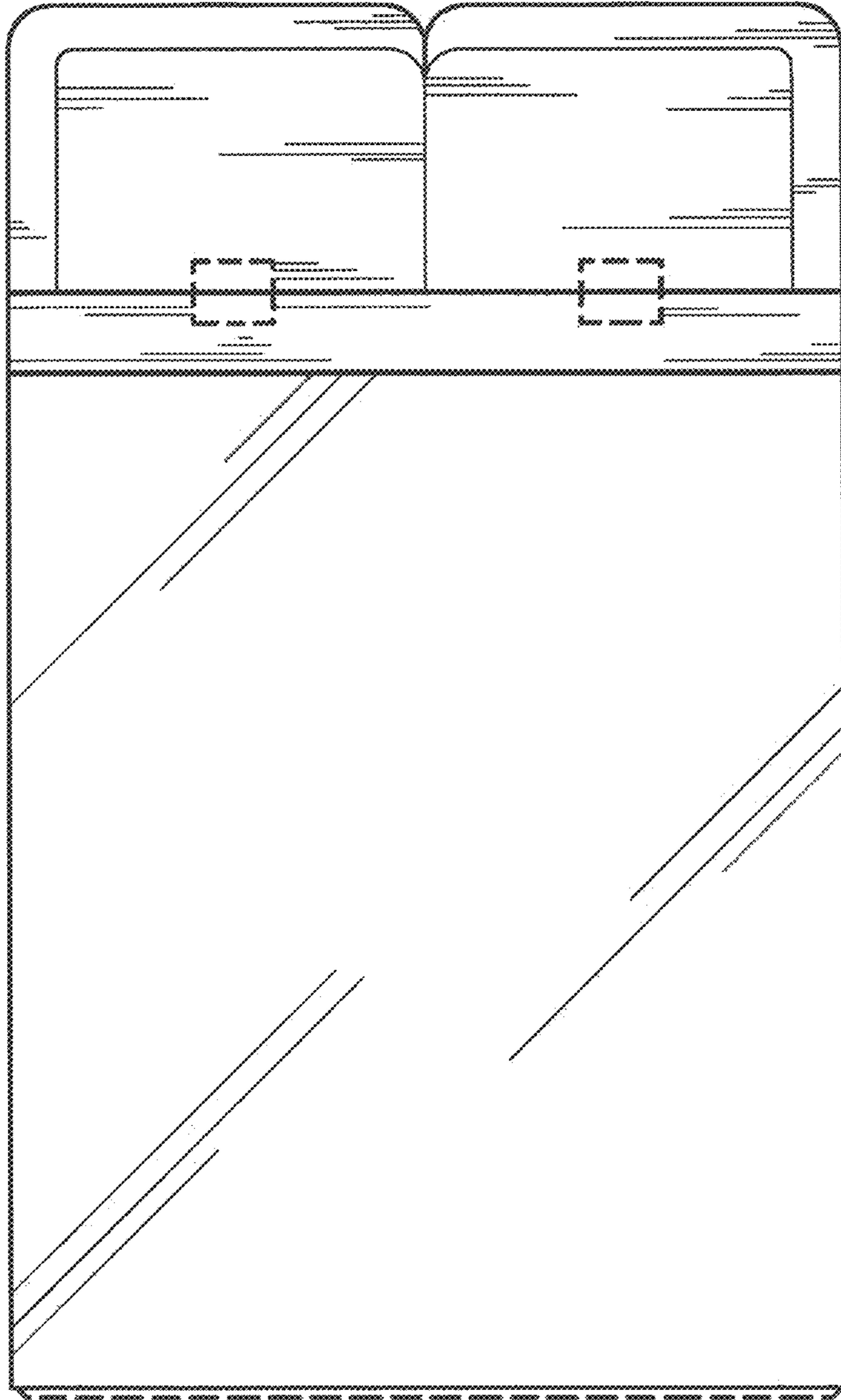


FIG.2

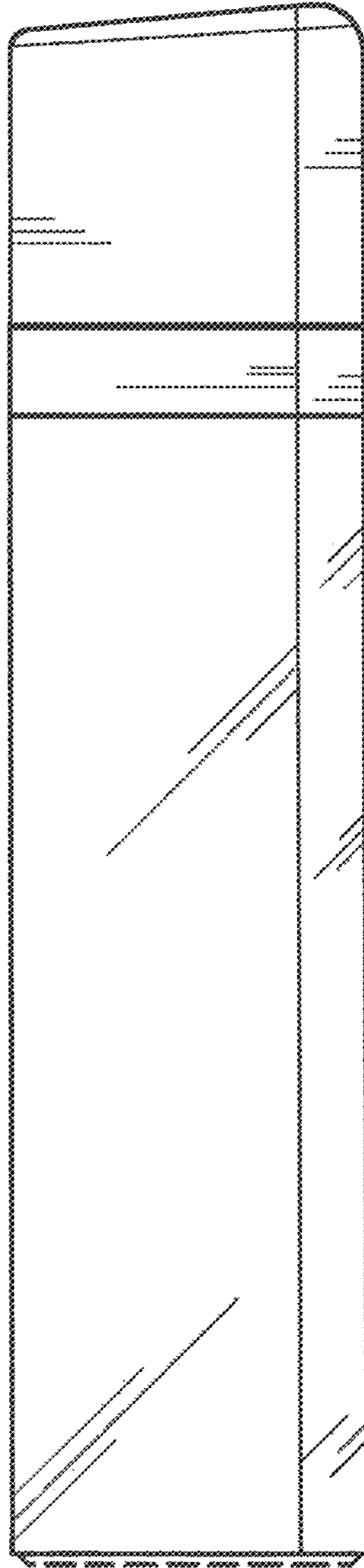


FIG.3

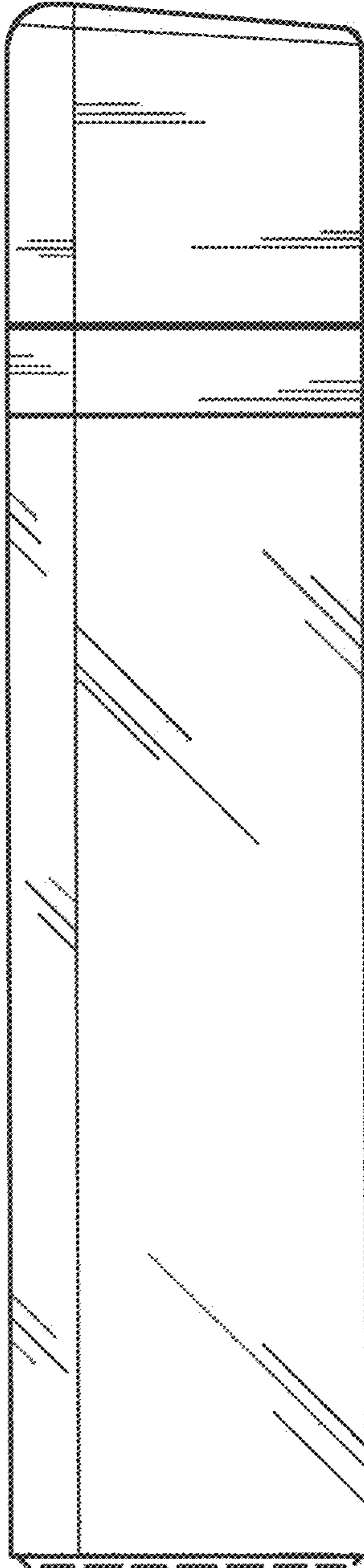


FIG.4

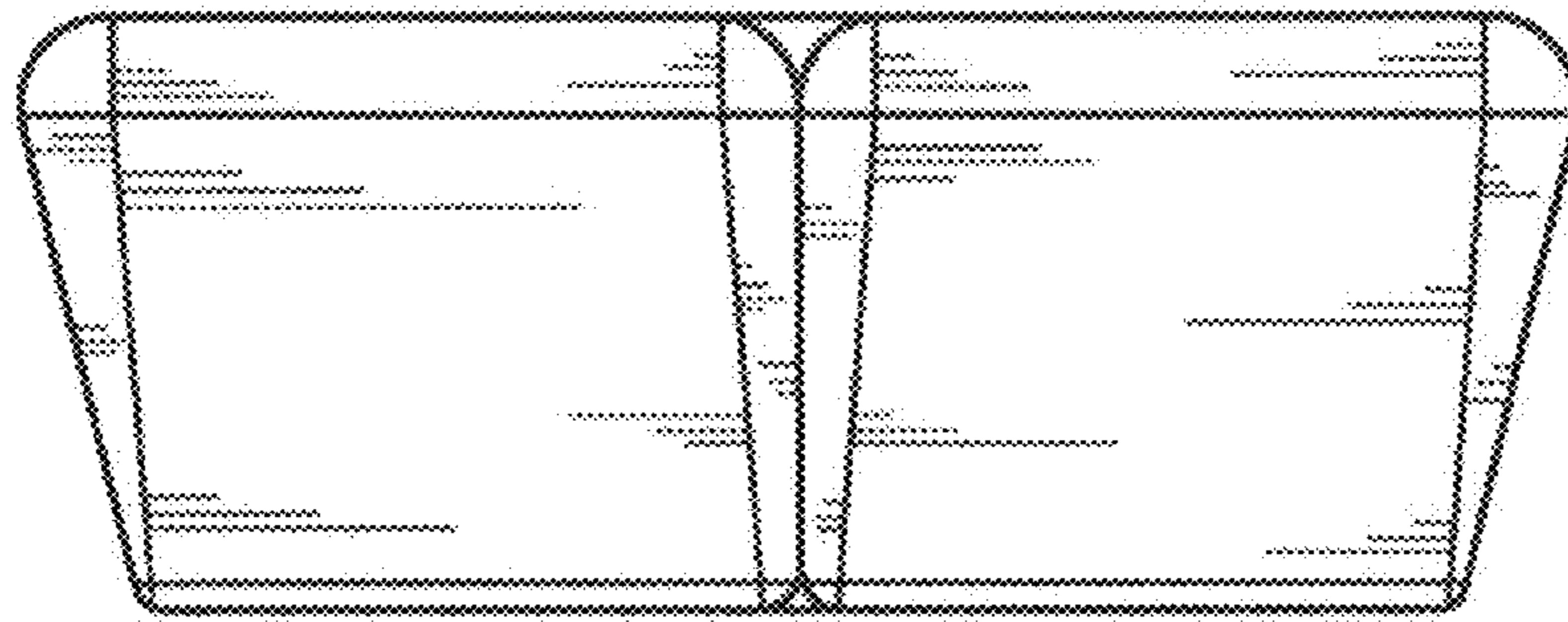


FIG.5

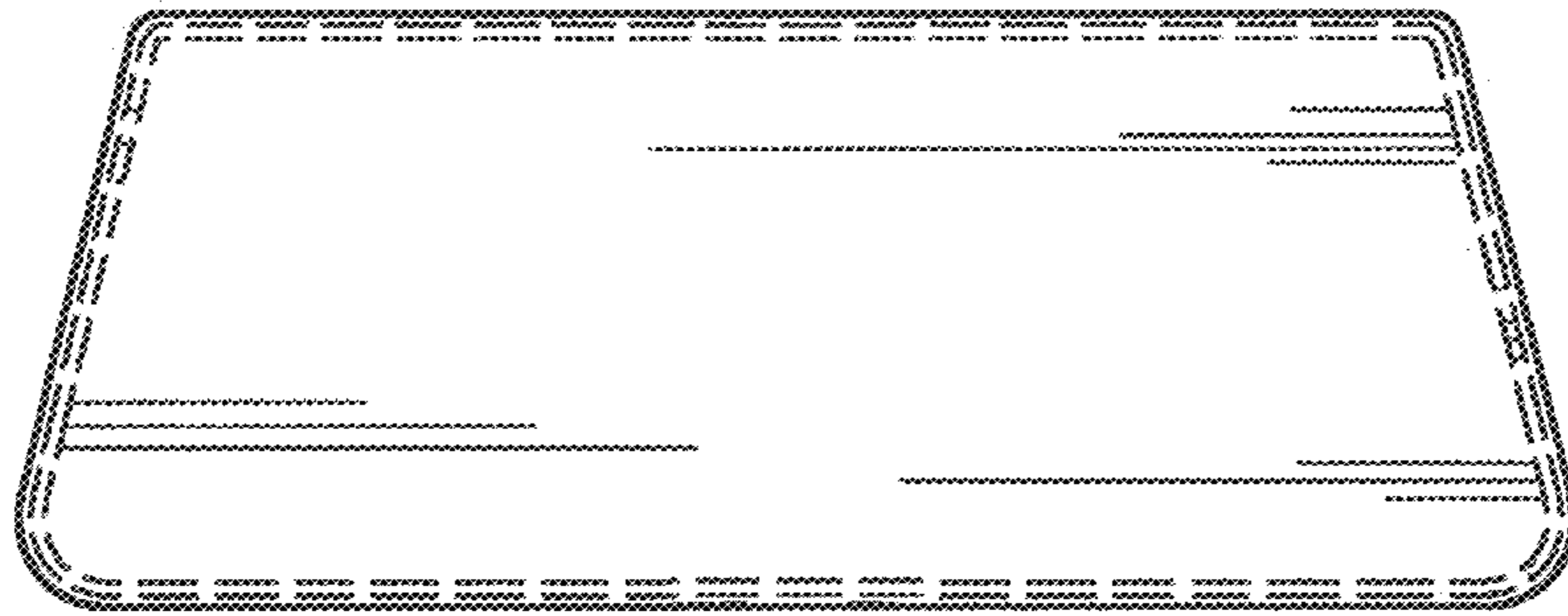


FIG.6

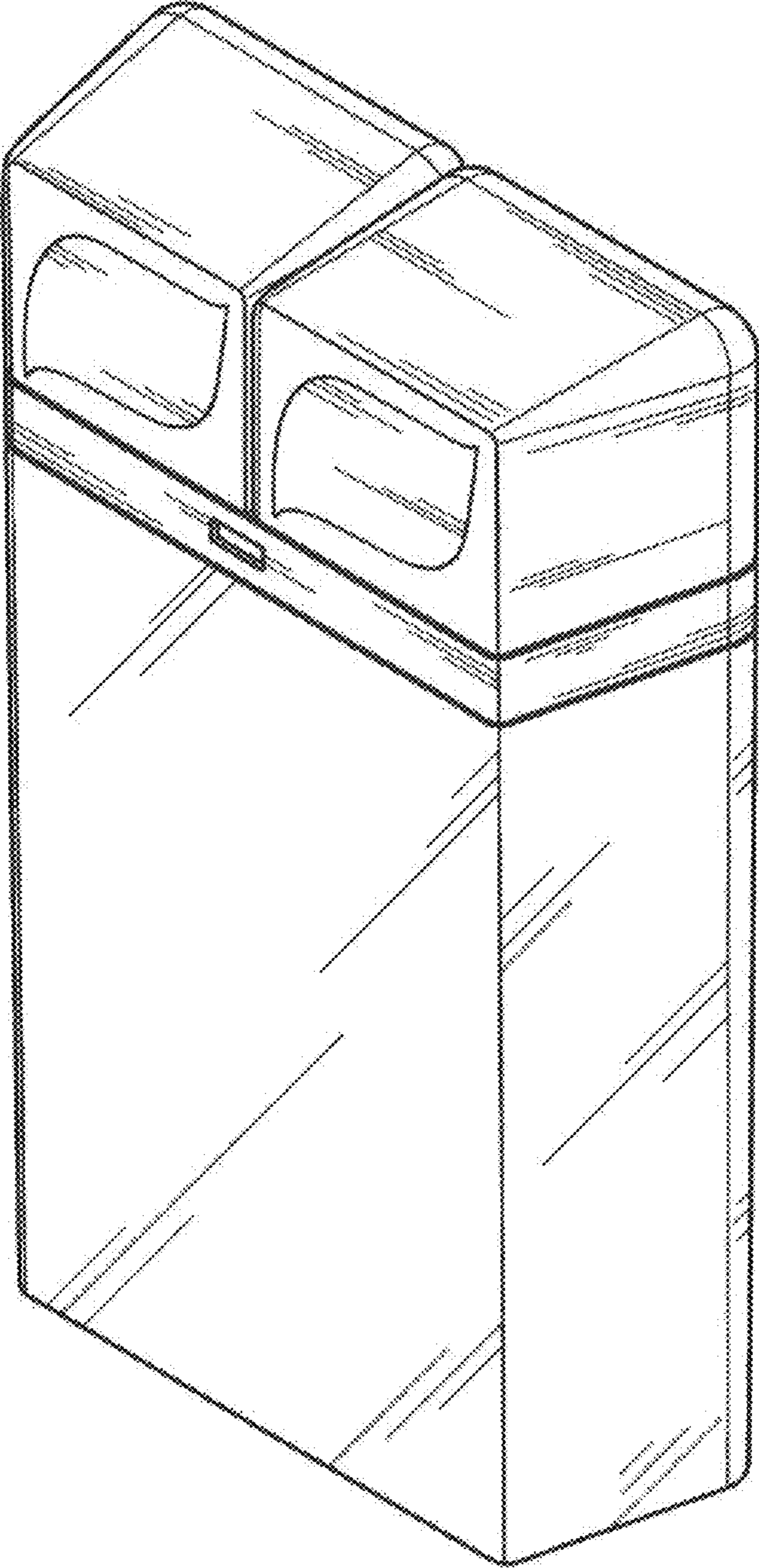


FIG.7

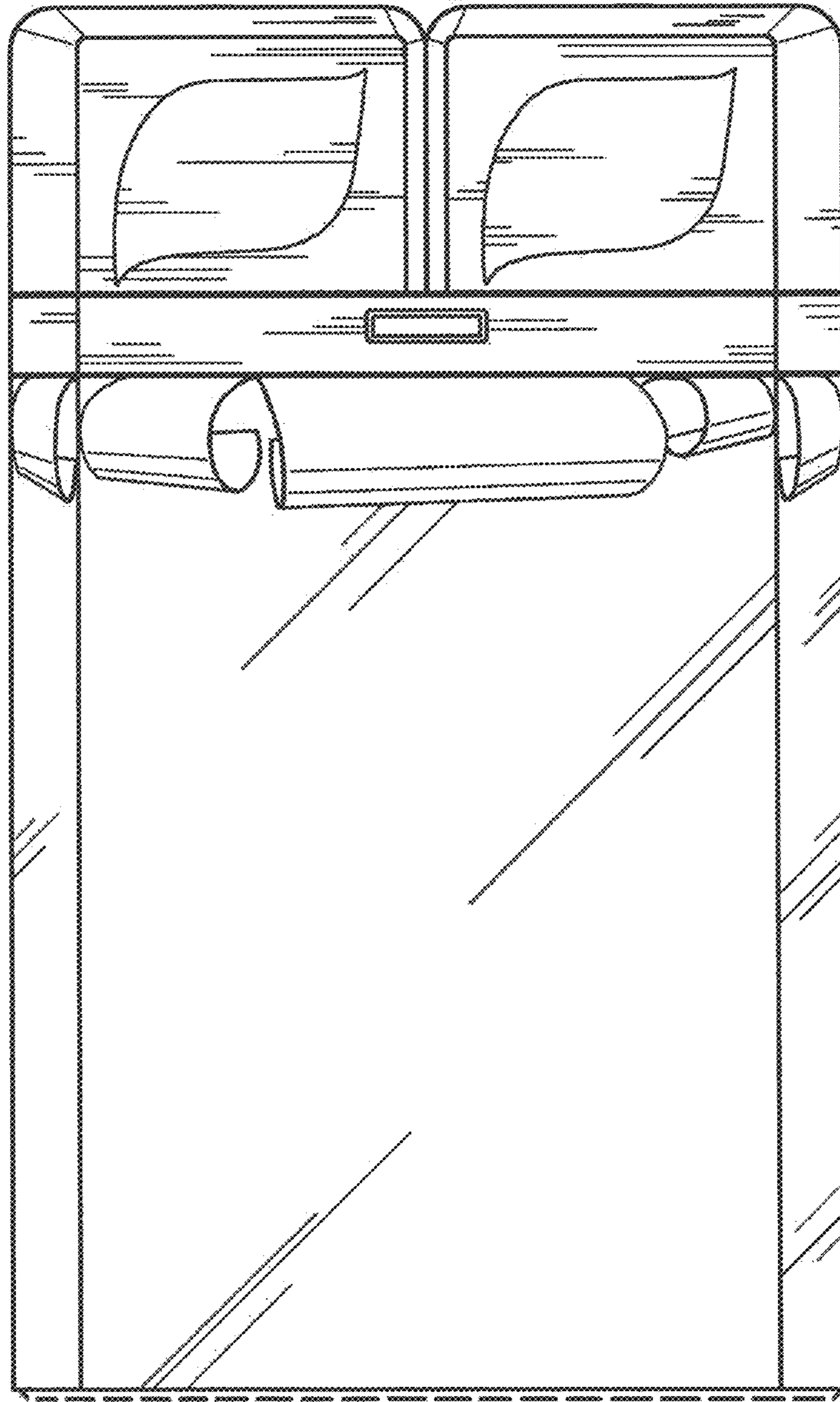


FIG. 8

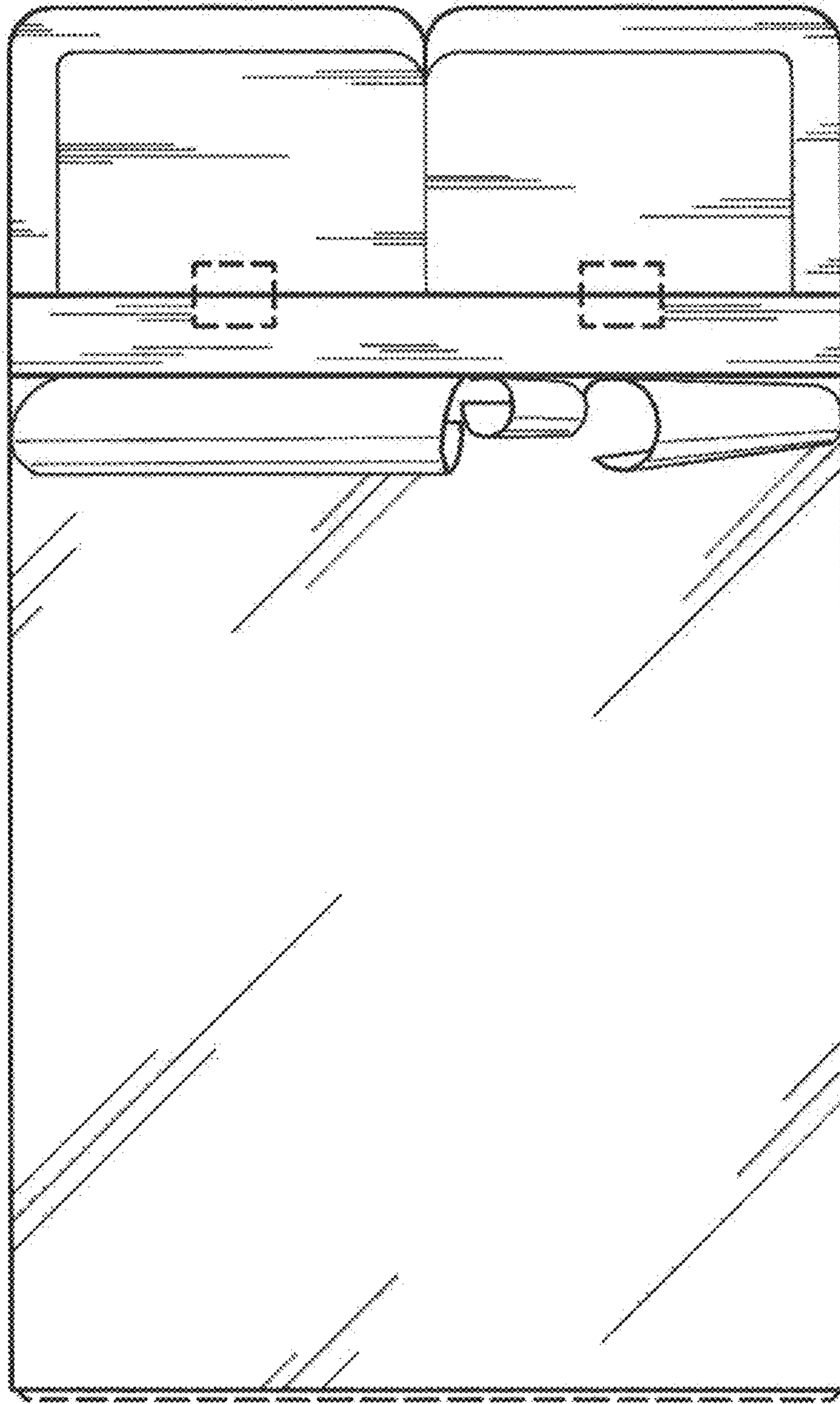


FIG.9

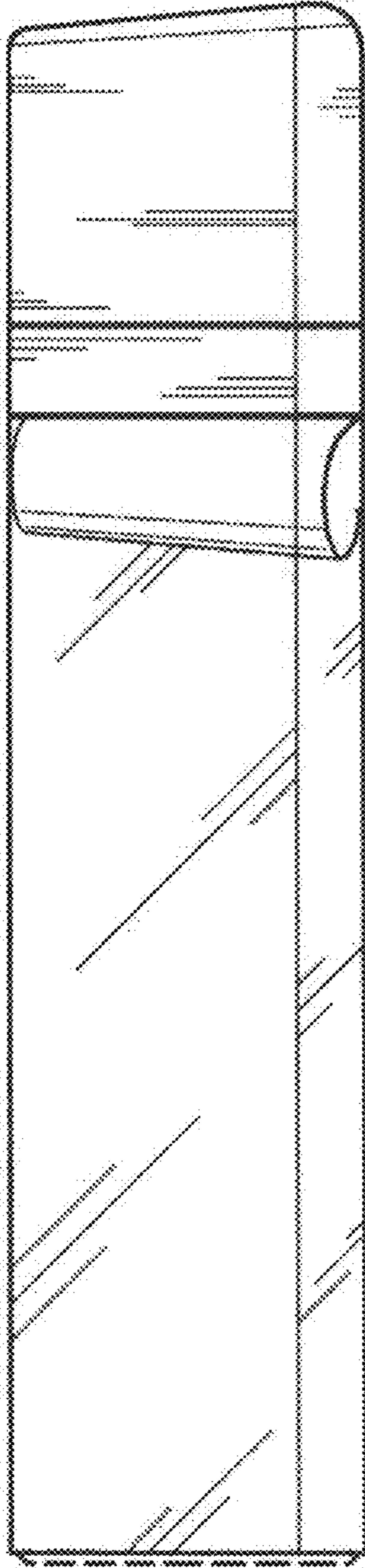


FIG. 10

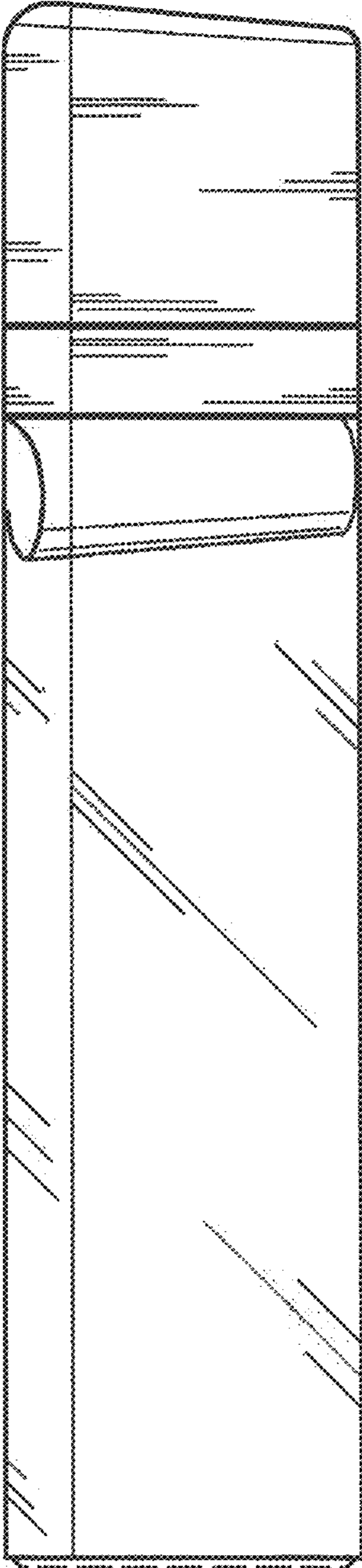


FIG. 11

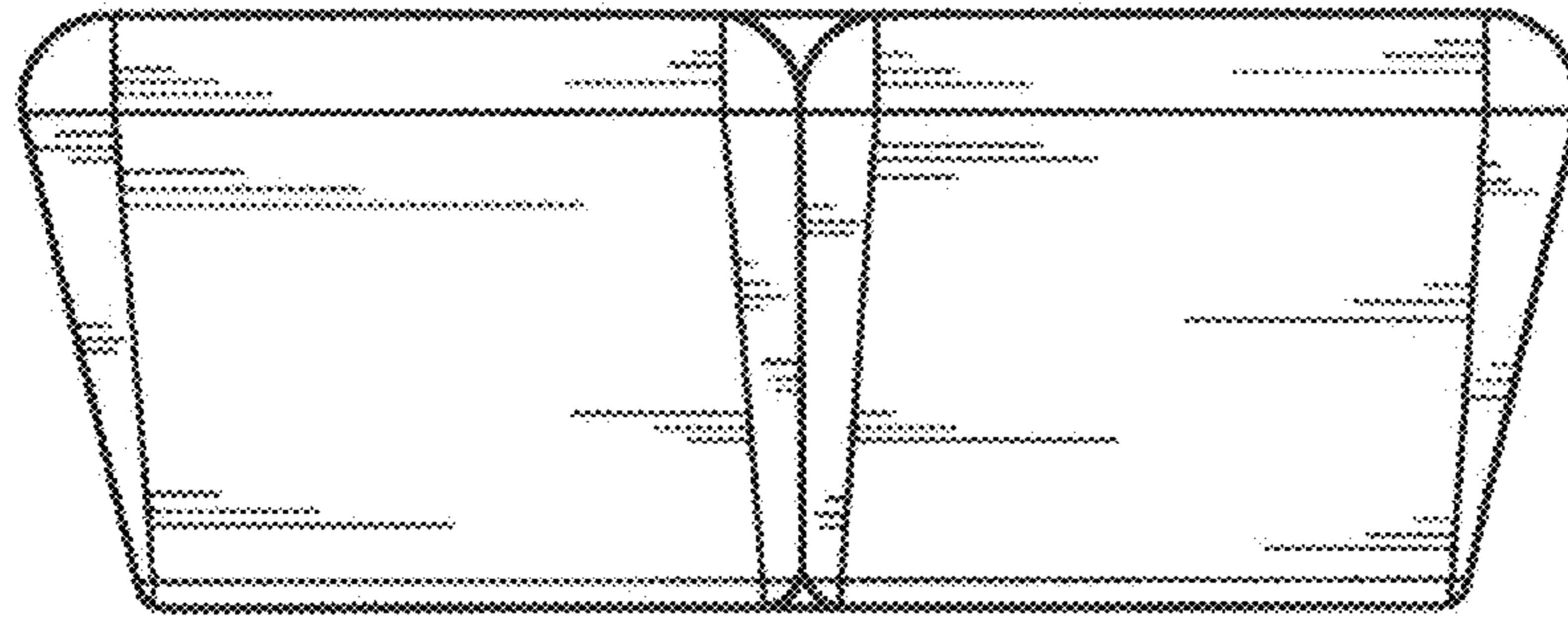


FIG.12

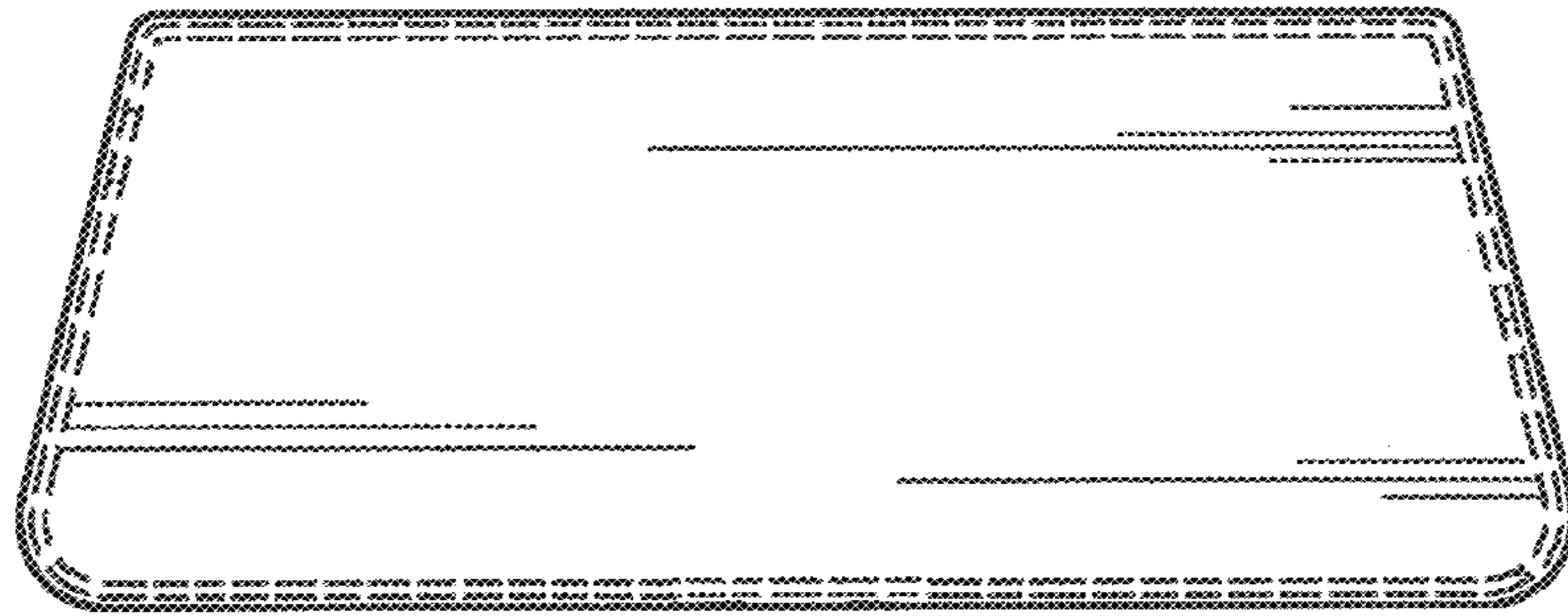


FIG. 13

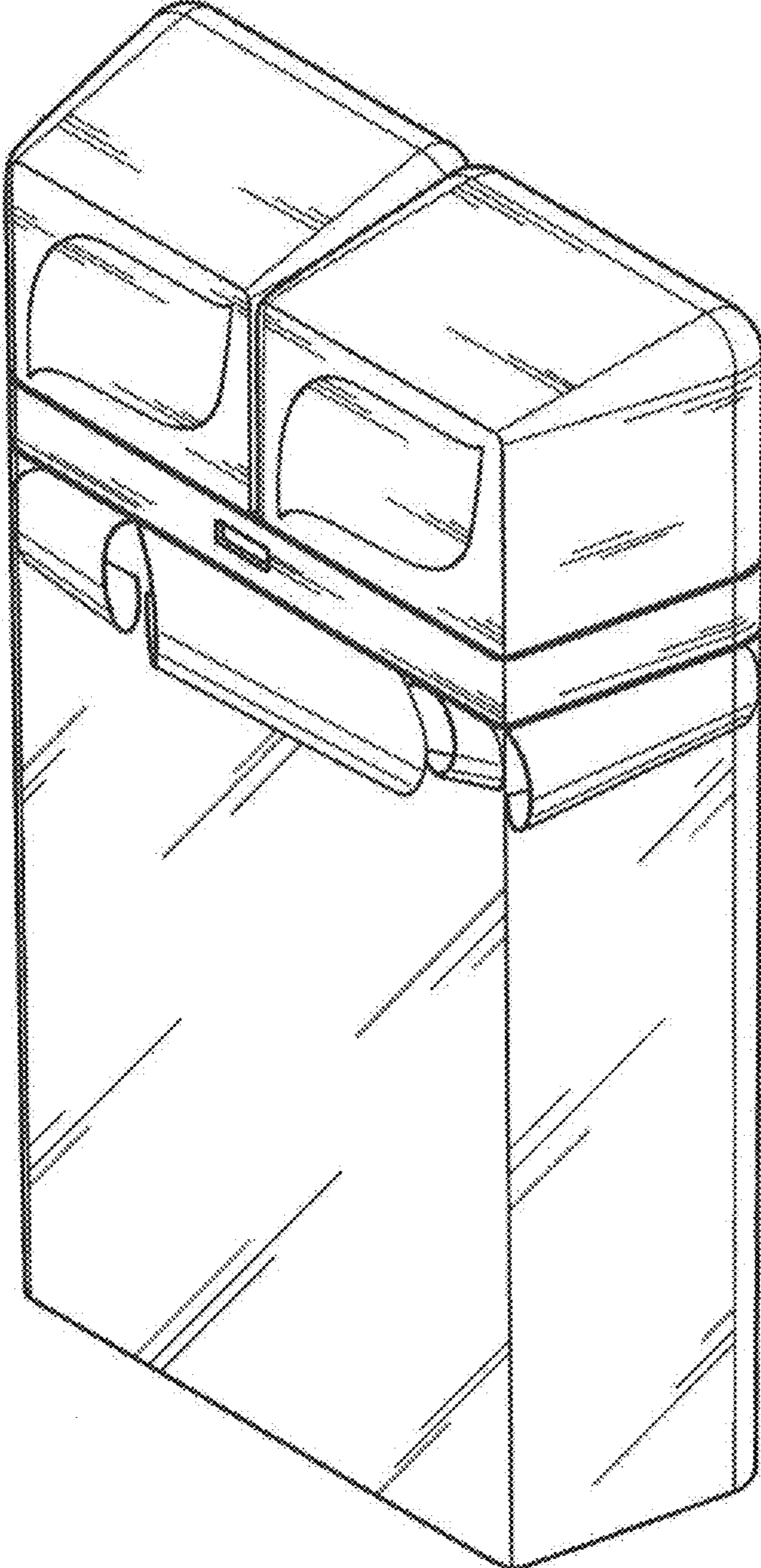


FIG.14