



US00D732946S

(12) **United States Design Patent**  
**Smith**

(10) **Patent No.:** **US D732,946 S**

(45) **Date of Patent:** **\*\* Jun. 30, 2015**

(54) **DOOR MOUNTING SHIM**

(71) Applicant: **Patrick J. Smith**, Peterborough (CA)

(72) Inventor: **Patrick J. Smith**, Peterborough (CA)

(\*\*) Term: **14 Years**

(21) Appl. No.: **29/483,503**

(22) Filed: **Feb. 28, 2014**

(30) **Foreign Application Priority Data**

Aug. 28, 2013 (CA) ..... 152676

(51) **LOC (10) CI.** ..... **08-08**

(52) **U.S. CI.**  
USPC ..... **D8/400**

(58) **Field of Classification Search**  
USPC ..... D8/349-352, 354, 355, 400, 402;  
D25/102; 83/138

See application file for complete search history.

(56) **References Cited**

**U.S. PATENT DOCUMENTS**

D266,614 S *	10/1982	Neville	.....	D34/29
D285,050 S *	8/1986	Looney	.....	D8/402
D292,963 S *	12/1987	Murtaugh	.....	D8/51
5,108,156 A *	4/1992	Bell	.....	301/6.1
D655,992 S *	3/2012	Noyes	.....	D8/14
D674,269 S *	1/2013	Siepel	.....	D8/354
D679,169 S *	4/2013	Else	.....	D8/349
D679,170 S *	4/2013	Else	.....	D8/349
D679,173 S *	4/2013	Parady et al.	.....	D8/354

D679,574 S *	4/2013	Dotsey	.....	D8/354
2008/0075556 A1 *	3/2008	Smith	.....	411/379
2014/0109742 A1 *	4/2014	Elsmore et al.	.....	83/138

\* cited by examiner

*Primary Examiner* — Susan Bennett Hattan

*Assistant Examiner* — Leanne Was

(74) *Attorney, Agent, or Firm* — Young Basile

(57) **CLAIM**

The design for door mounting shim, as shown and described.

**DESCRIPTION**

FIG. 1 is a front perspective view of the door mounting shim in a retracted configuration;

FIG. 2 is a rear perspective view of the door mounting shim in the retracted configuration;

FIG. 3 is a rear view of the door mounting shim in the retracted configuration;

FIG. 4 is a front view of the door mounting shim in the retracted configuration;

FIG. 5 is a left side view of the door mounting shim in the retracted configuration;

FIG. 6 is a right view of the door mounting shim in the retracted configuration;

FIG. 7 is a top side view of the door mounting shim in the retracted configuration;

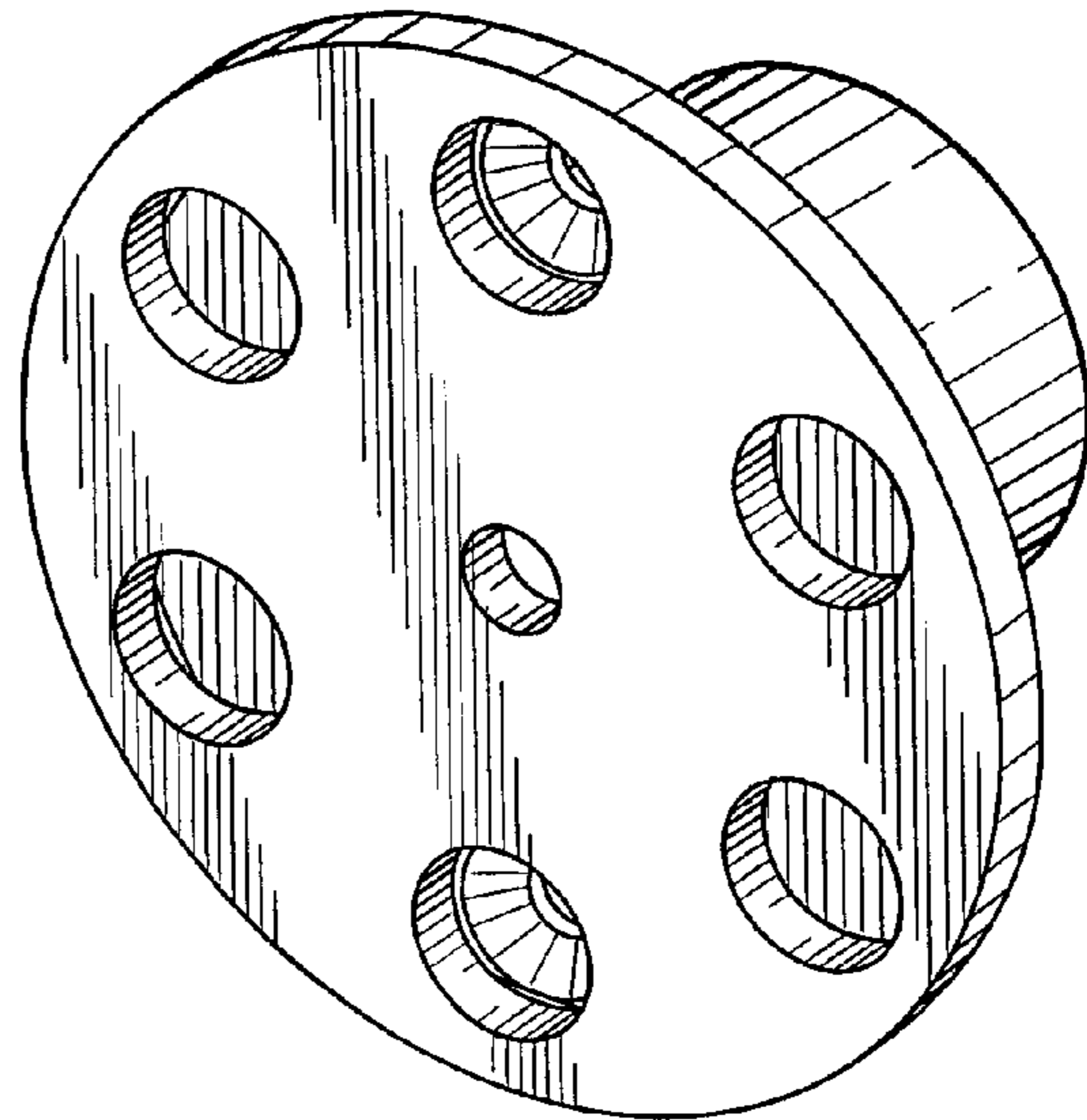
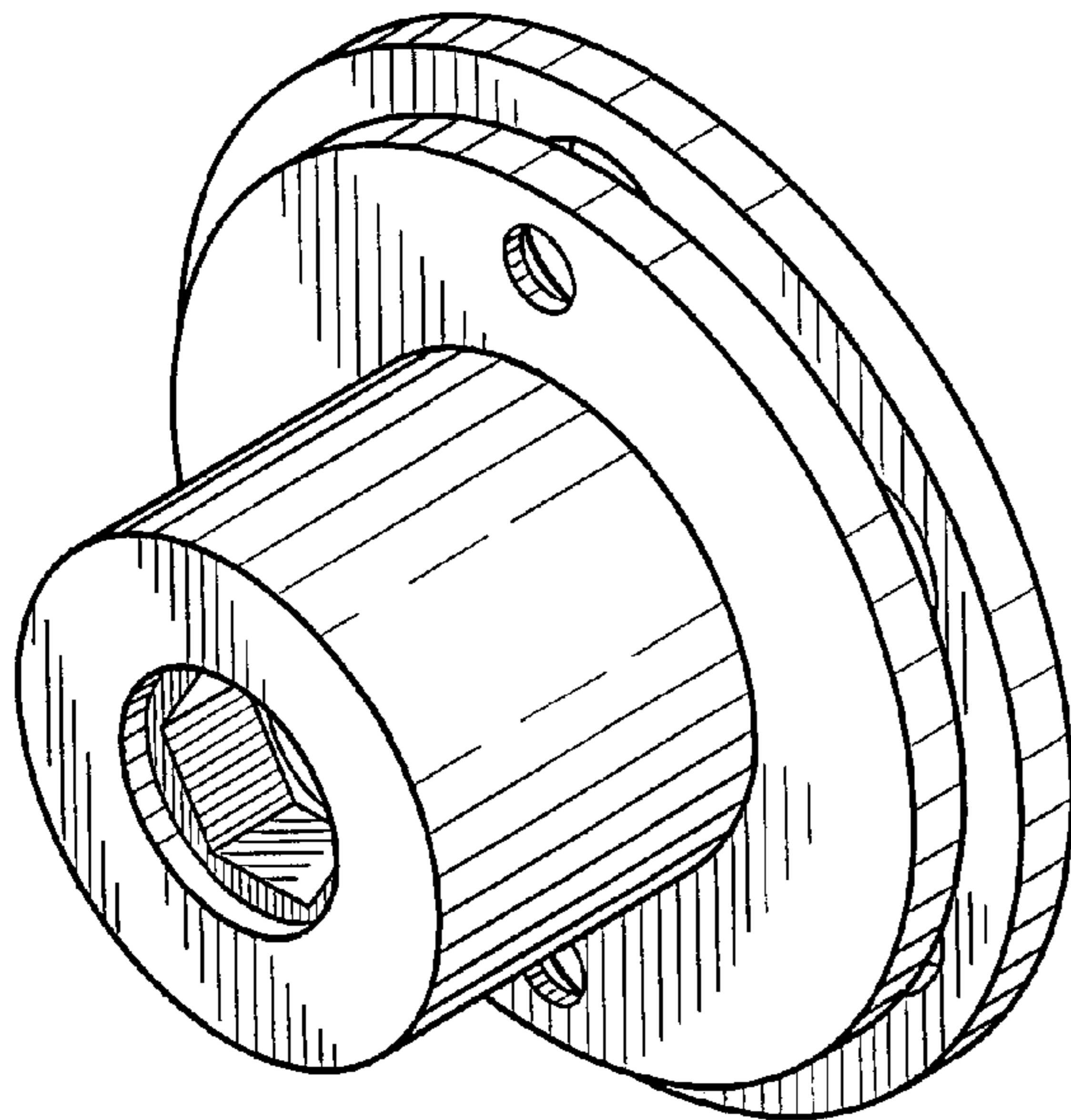
FIG. 8 is a bottom side view of the door mounting shim in the retracted configuration;

FIG. 9 is a front perspective view of the door mounting shim in an extended configuration;

FIG. 10 is a bottom sectional view taken along 10-10 of FIG. 9 of the door mounting shim in the extended configuration; and,

FIG. 11 is a section view along 11-11 of FIG. 10.

**1 Claim, 6 Drawing Sheets**



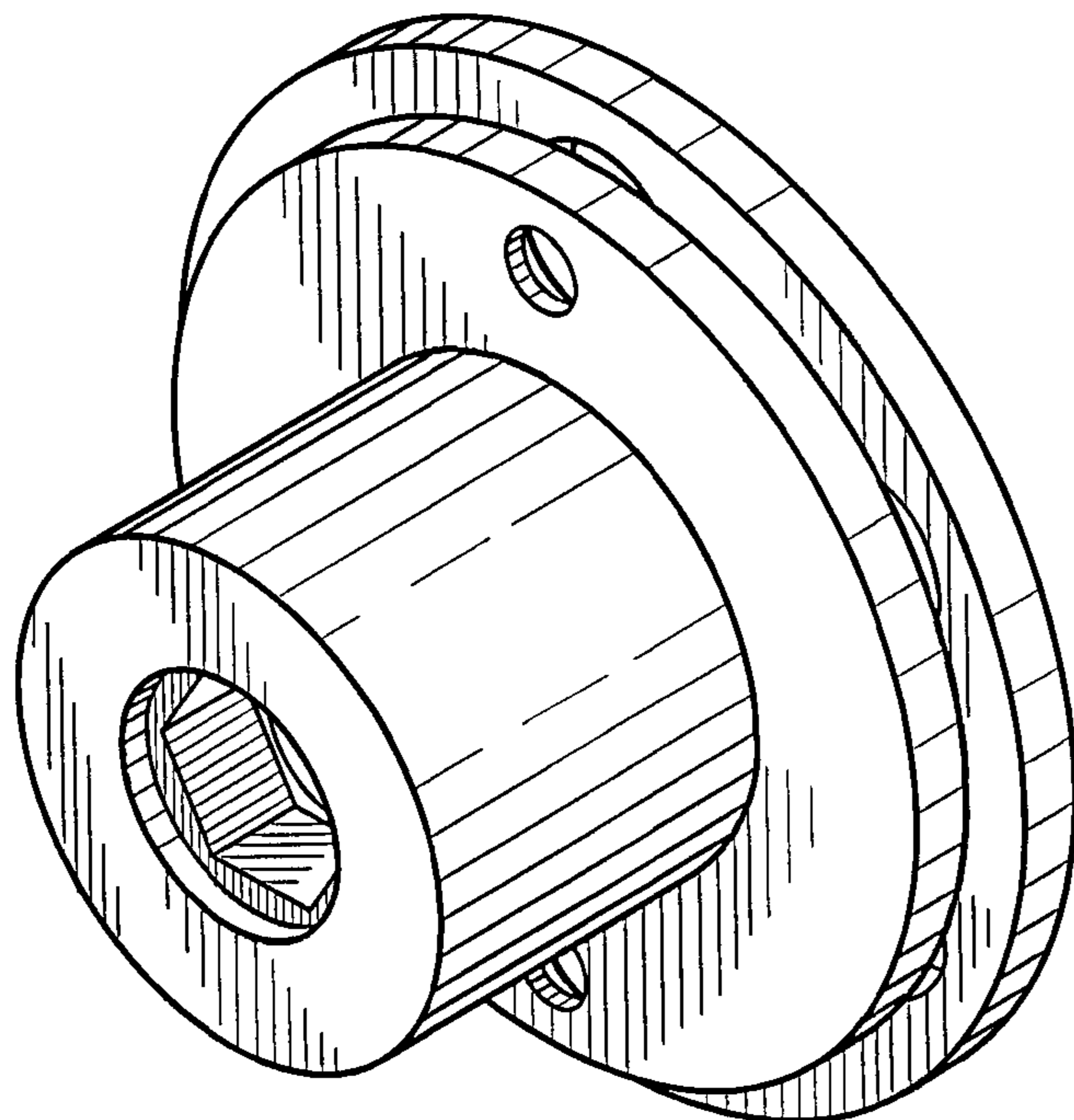


FIG. 1

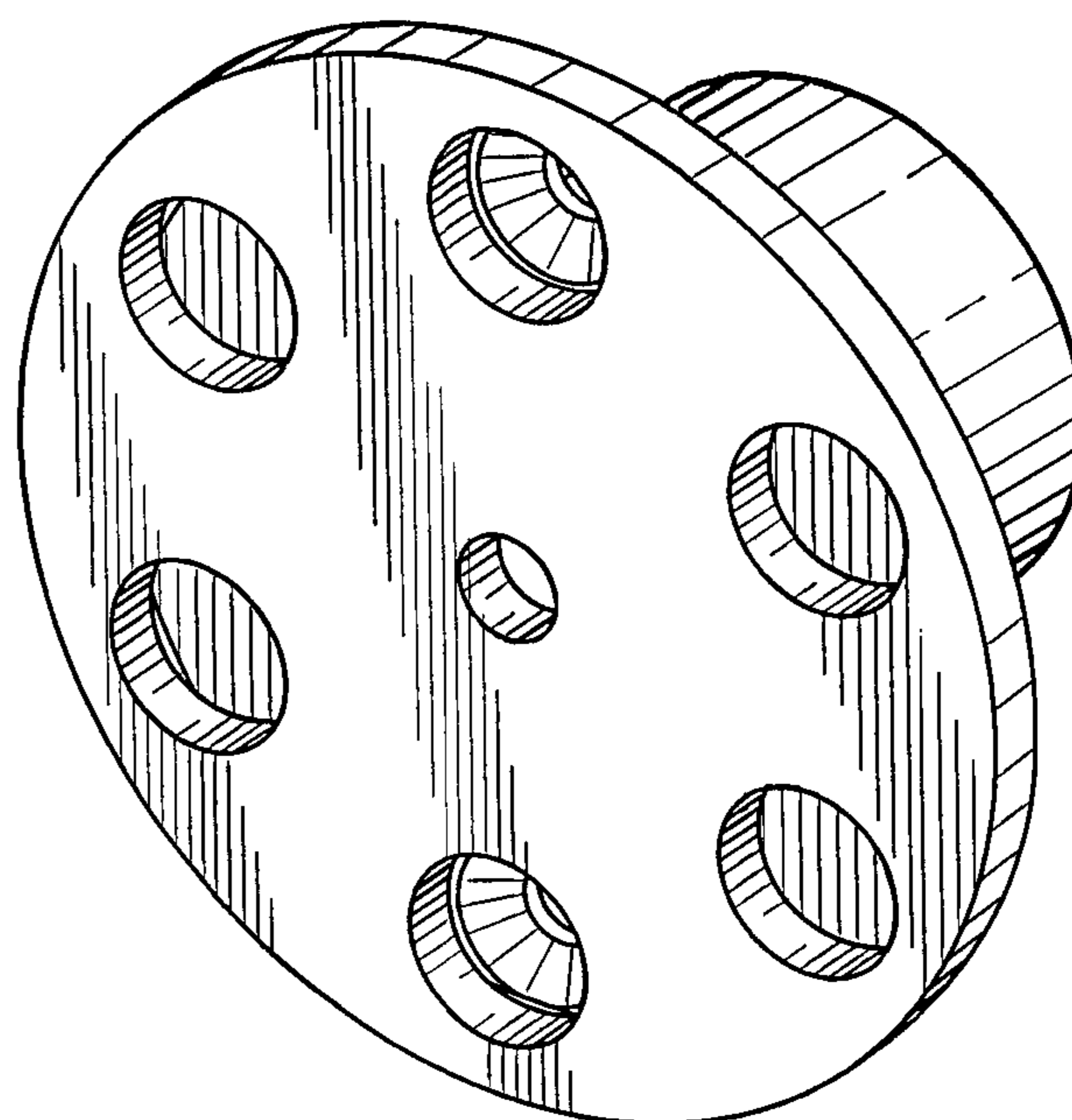


FIG. 2

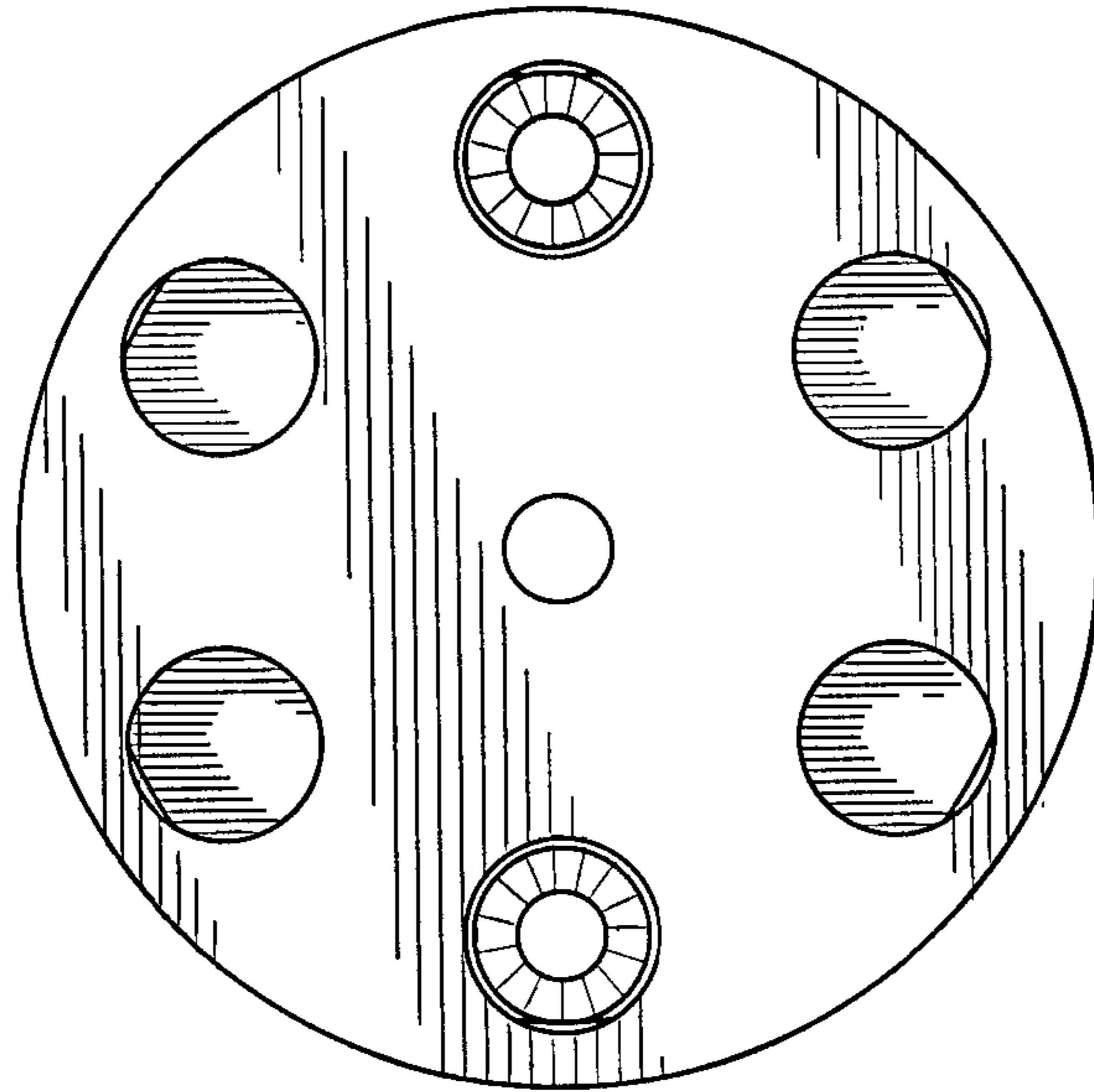


FIG.3

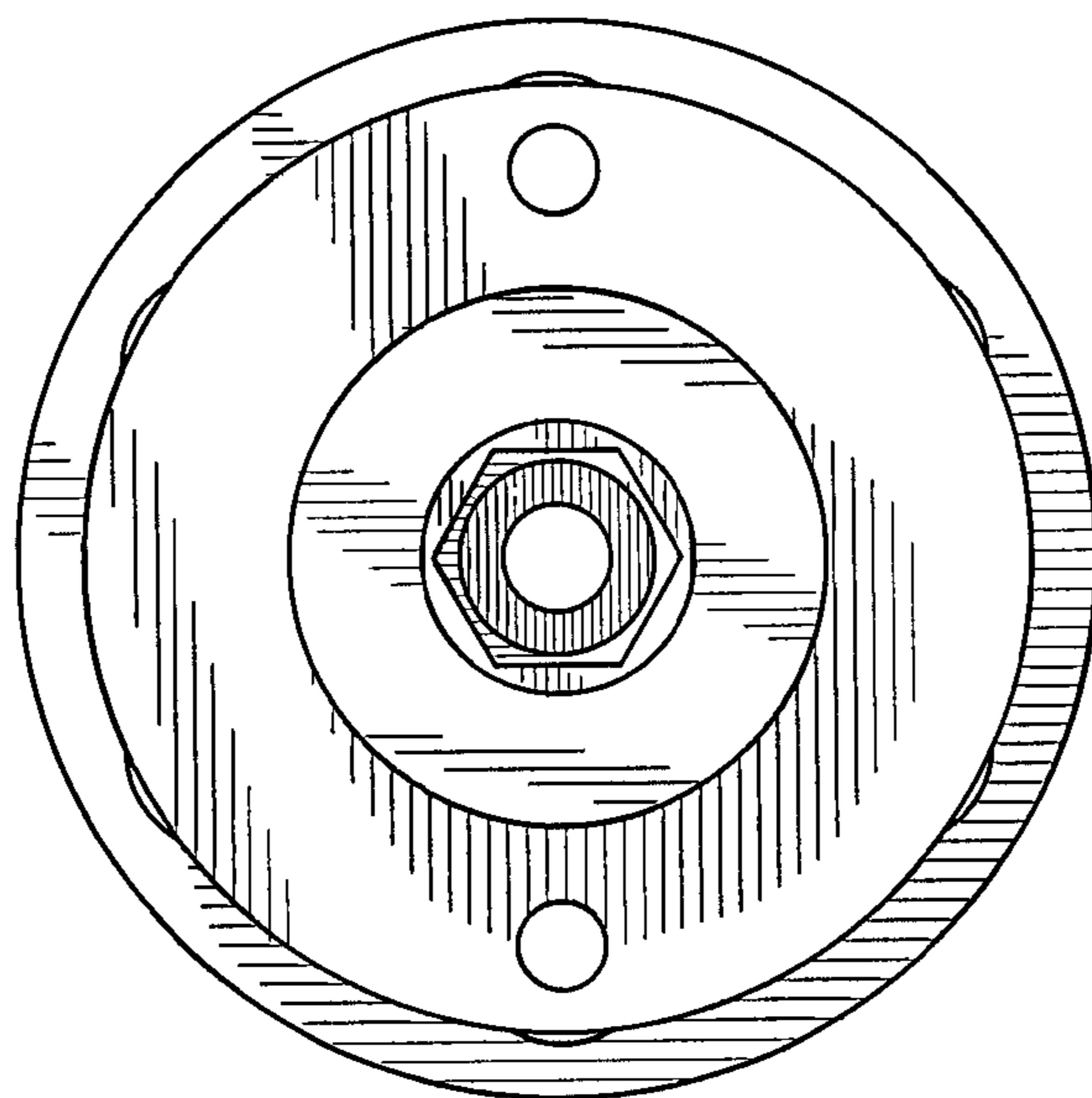


FIG.4

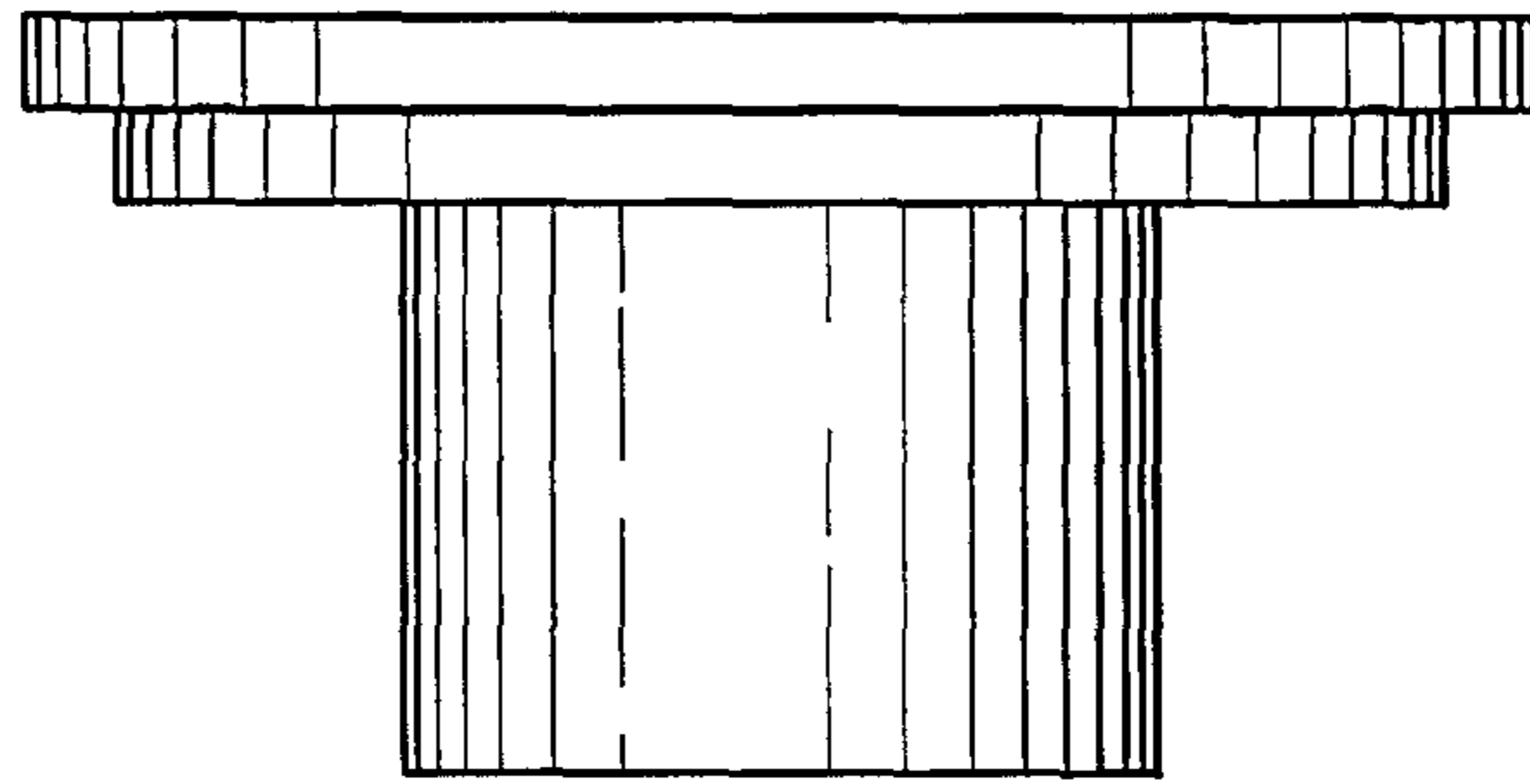


FIG. 5

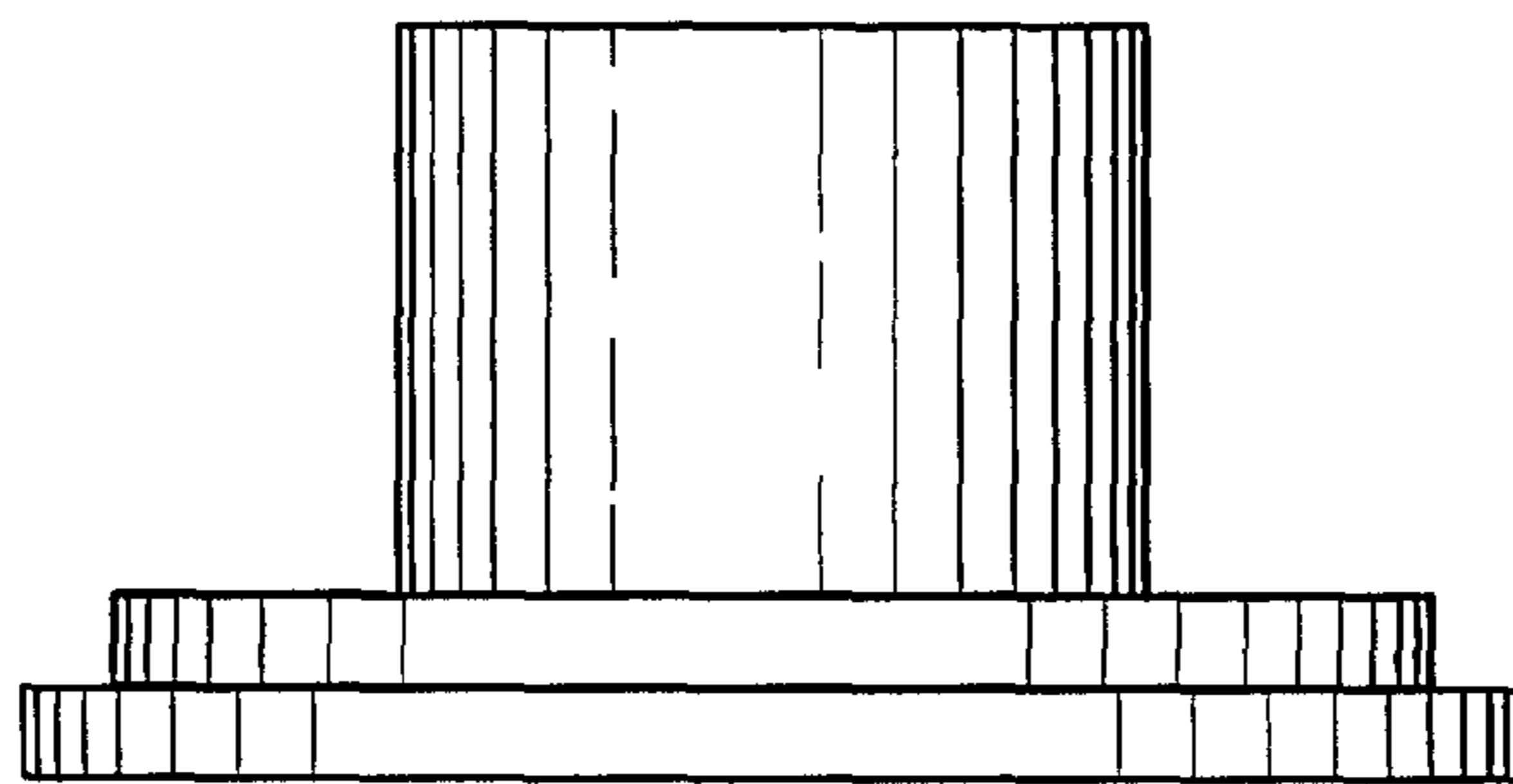


FIG. 6

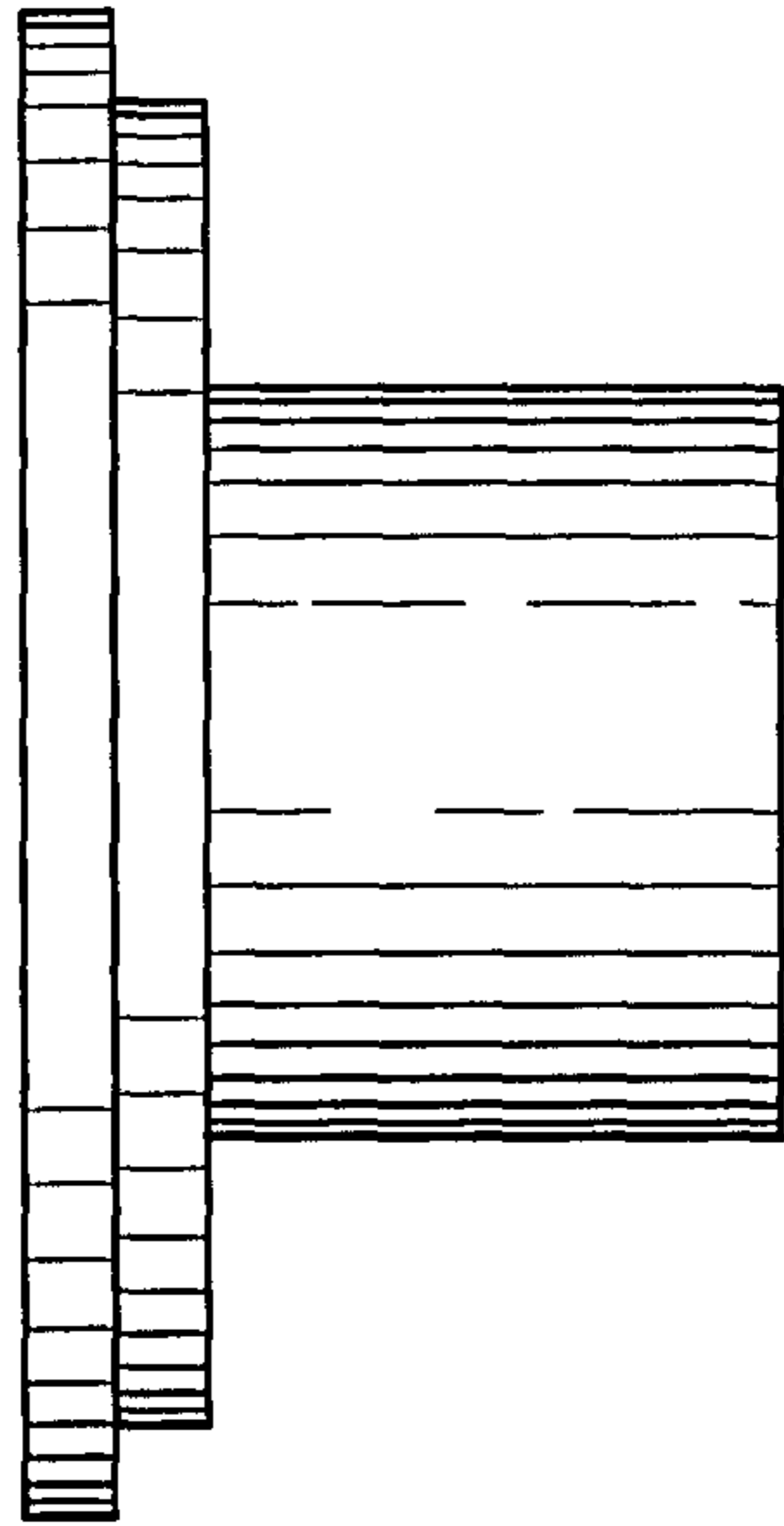


FIG. 7

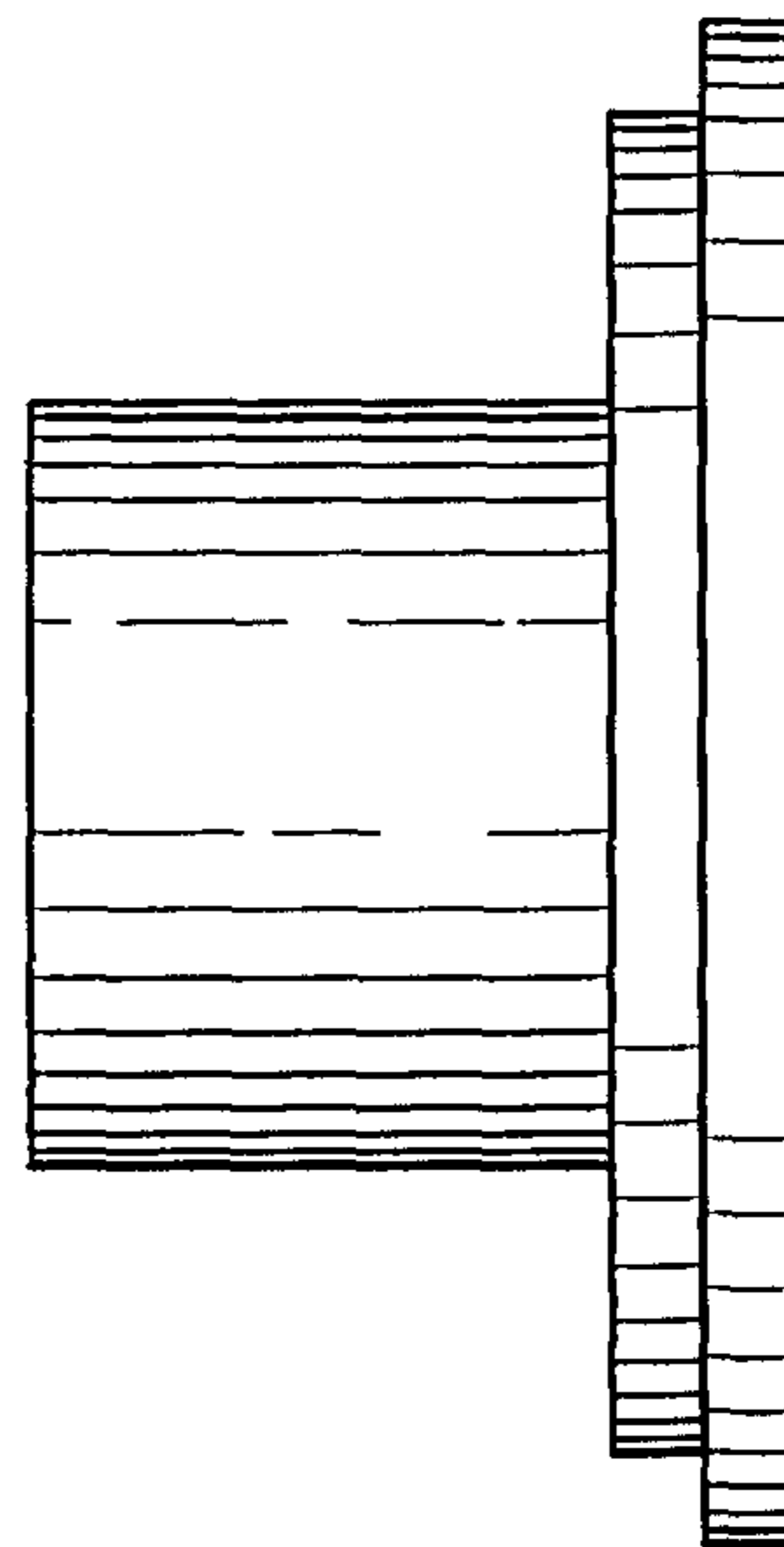


FIG. 8

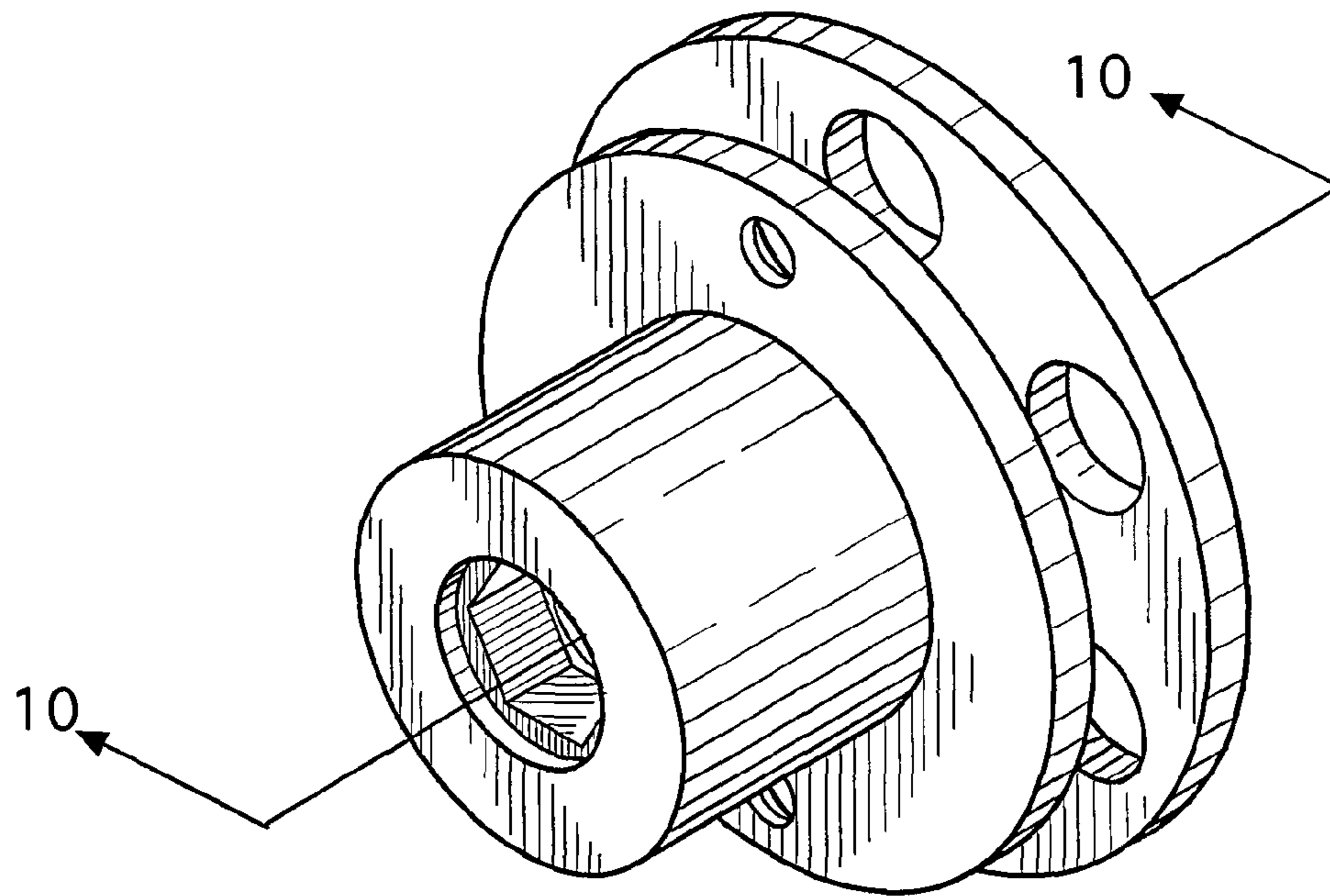


FIG. 9

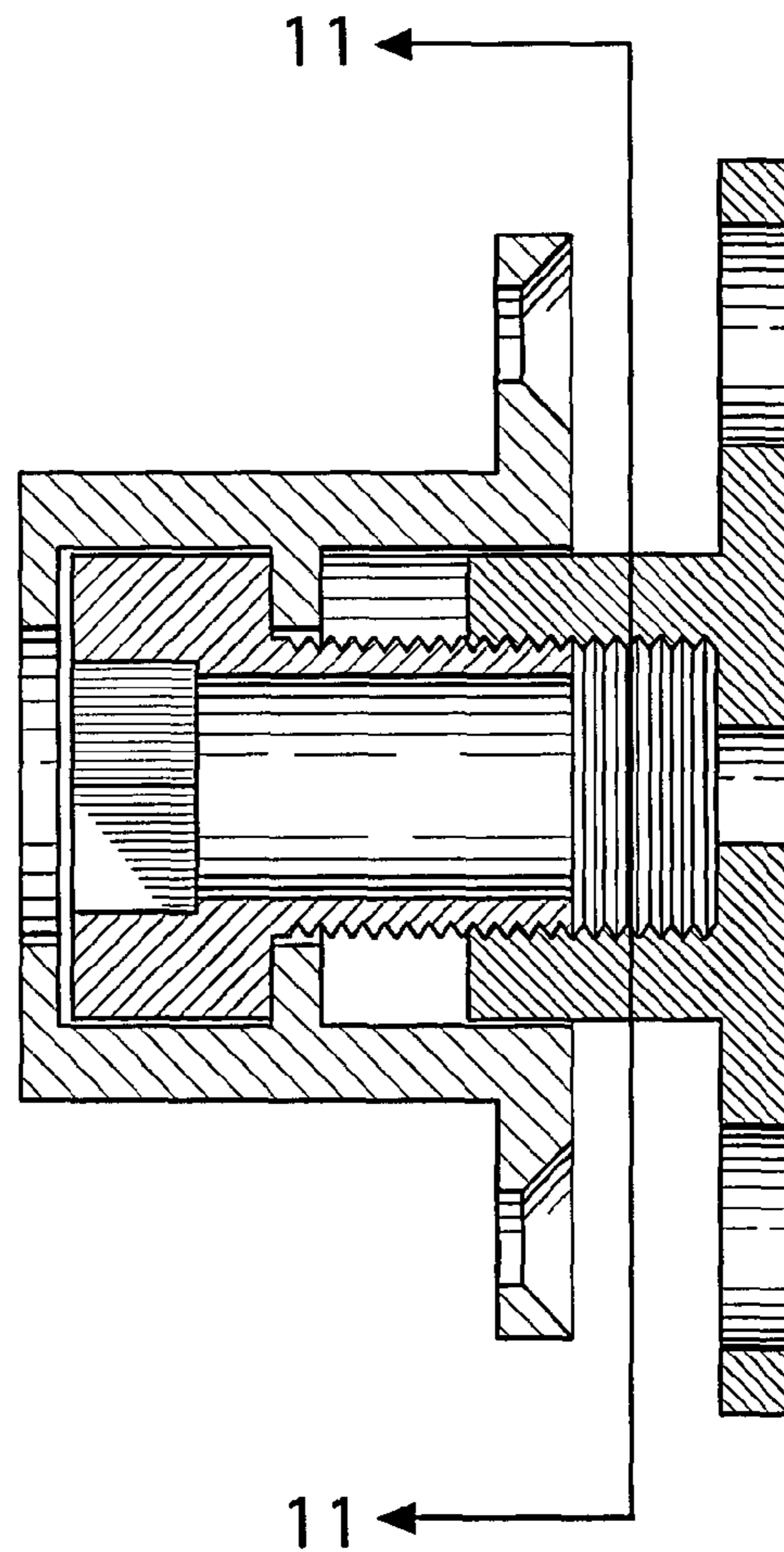


FIG. 10

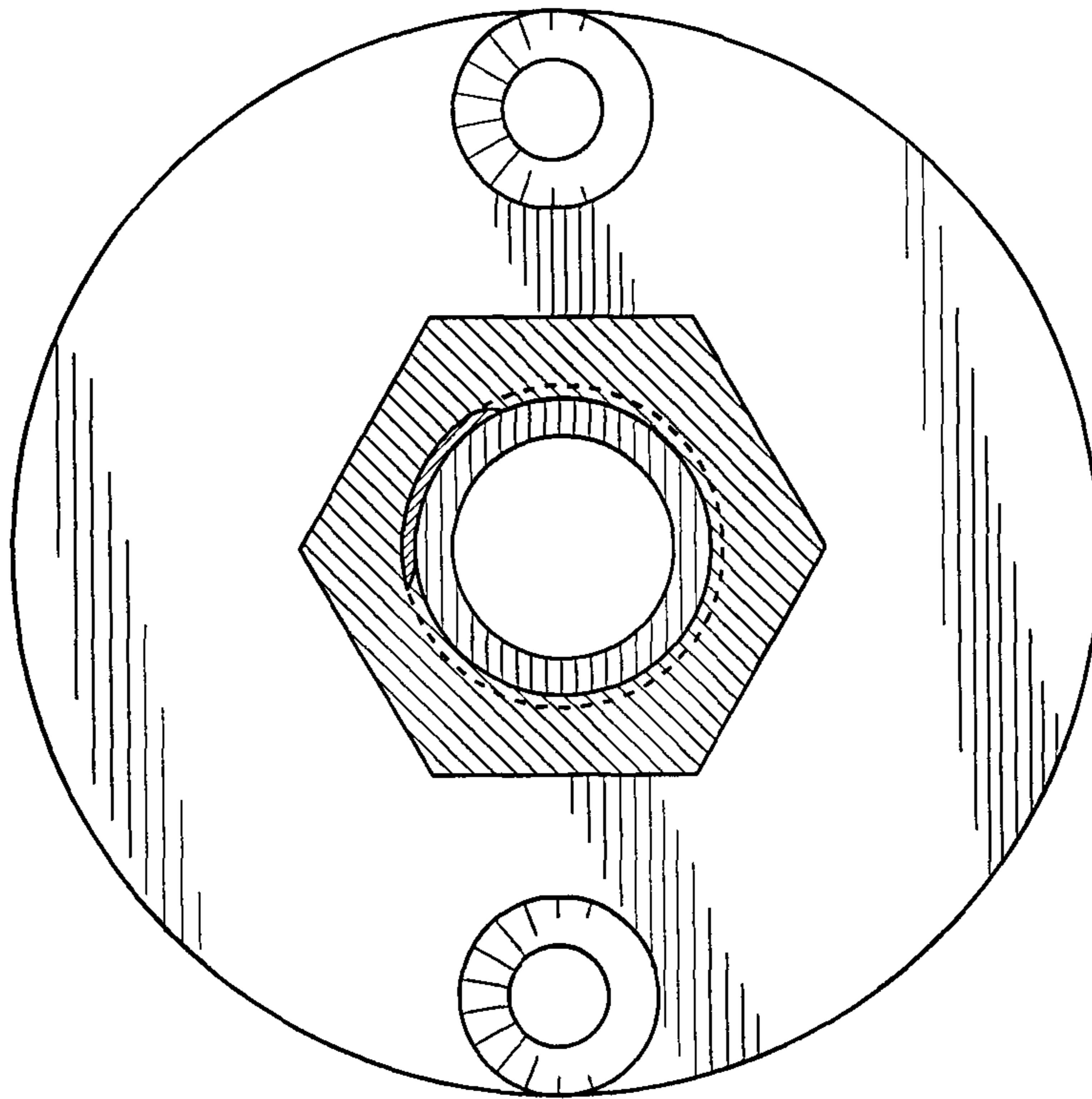


FIG.11