



US00D732945S

(12) **United States Design Patent**  
**Asai**

(10) **Patent No.:** **US D732,945 S**  
(45) **Date of Patent:** **\*\* Jun. 30, 2015**

(54) **BELT CLAMP**

(71) Applicant: **Daiwa Kasei Industry Co., Ltd.**, Aichi (JP)

(72) Inventor: **Osamu Asai**, Aichi (JP)

(73) Assignee: **Daiwa Kasei Industry Co., Ltd.**, Okazaki-Shi, Aichi (JP)

(\*\*) Term: **14 Years**

(21) Appl. No.: **29/482,358**

(22) Filed: **Feb. 18, 2014**

4,272,870 A 6/1981 McCormick  
4,342,438 A 8/1982 Speedie  
D273,361 S \* 4/1984 Suzuki ..... D8/394  
D281,301 S \* 11/1985 Spolar ..... D10/46.2  
D317,326 S \* 6/1991 Berracasa ..... D19/65

(Continued)

**FOREIGN PATENT DOCUMENTS**

EP 1 260 452 5/2002  
JP H9-40004 A 2/1997  
WO 2009-131013 10/2009

**OTHER PUBLICATIONS**

International Search Report and Written Opinion, mailed Aug. 27, 2012.

(Continued)

**Related U.S. Application Data**

(63) Continuation of application No. 13/474,778, filed on May 18, 2012, now abandoned.

(51) **LOC (10) Cl.** ..... **08-08**

(52) **U.S. Cl.**  
USPC ..... **D8/396; D8/356**

(58) **Field of Classification Search**  
USPC ..... D8/356, 367, 354, 349, 373, 396, 383, D8/394; 136/246; D6/323; 248/301-304, 248/339, 205.3, 58, 60, 74.3, 71; 128/878; 70/16; 24/16 PB, 17 AP, 30.5 P, 30.5 S, 24/300, 301, 302, 339, DIG. 16  
See application file for complete search history.

*Primary Examiner* — Cynthia Underwood

(74) *Attorney, Agent, or Firm* — Thomas I Horstemeyer, LLP

(57) **CLAIM**

The ornamental design for a belt clamp, as shown and described.

**DESCRIPTION**

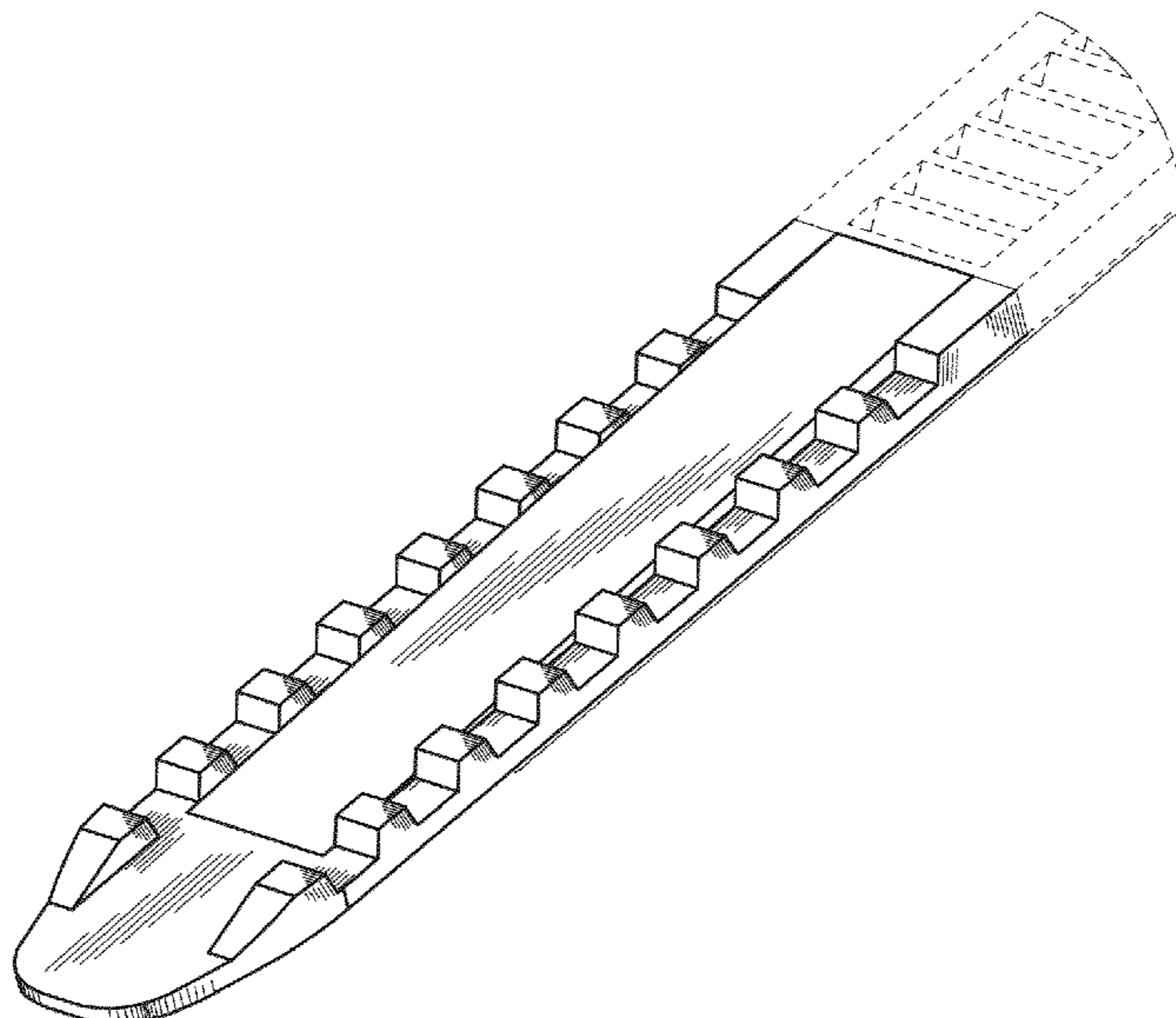
FIG. 1 is a front view of the present invention;  
FIG. 2 is a back view thereof;  
FIG. 3 is a right side view thereof, the left side being a mirror image of the side view shown;  
FIG. 4 is a perspective view thereof;  
FIG. 5 is a fragmentary enlarged view thereof of FIG. 1;  
FIG. 6 is a fragmentary enlarged view thereof of FIG. 2;  
FIG. 7 is a fragmentary enlarged view thereof of FIG. 3; and,  
FIG. 8 is a fragmentary enlarged view thereof of FIG. 4.  
The broken lines shown in figures are for illustrative purposes only and form no part of the claimed design.

(56) **References Cited**

**U.S. PATENT DOCUMENTS**

3,102,311 A 9/1963 Martin et al.  
3,302,913 A 2/1967 Collyer et al.  
3,490,104 A \* 1/1970 Kabel ..... 24/16 PB  
D224,960 S \* 10/1972 Wilson ..... D8/396  
3,717,906 A 2/1973 Wells  
D256,438 S \* 8/1980 Woods ..... D8/394  
4,236,280 A 12/1980 Kreiseder

**1 Claim, 8 Drawing Sheets**



(56)

**References Cited**

U.S. PATENT DOCUMENTS

D326,406 S \* 5/1992 Anderson et al. .... D8/394  
 5,295,285 A 3/1994 Shely  
 5,416,955 A \* 5/1995 Katsma ..... 24/588.1  
 D363,212 S \* 10/1995 Hill ..... D8/396  
 D368,853 S \* 4/1996 Liu et al. .... D8/394  
 5,584,452 A 12/1996 Koike  
 5,884,367 A \* 3/1999 Teagno et al. .... 24/16 PB  
 D424,923 S \* 5/2000 Lodi ..... D8/396  
 6,105,908 A \* 8/2000 Kraus ..... 248/74.3  
 6,196,033 B1 \* 3/2001 Dowdle ..... 70/16  
 D442,851 S \* 5/2001 Wilson ..... D8/394  
 6,347,434 B1 2/2002 Newman  
 6,363,244 B1 \* 3/2002 McGhee ..... 455/90.1  
 6,764,050 B2 7/2004 Takenaga  
 6,807,714 B2 10/2004 O'Young et al.  
 6,828,509 B2 \* 12/2004 Ito et al. .... 174/135  
 7,017,237 B2 3/2006 Magno, Jr. et al.

D537,333 S \* 2/2007 Jowsey ..... D8/396  
 D565,401 S \* 4/2008 Grady et al. .... D8/394  
 D570,673 S \* 6/2008 Geiger et al. .... D8/394  
 7,703,817 B2 4/2010 Mangone, Jr.  
 7,753,321 B2 7/2010 Geiger  
 D631,731 S \* 2/2011 Chen ..... D8/356  
 D634,187 S \* 3/2011 Kozel ..... D8/396  
 8,033,966 B2 \* 10/2011 Ayoub ..... 482/121  
 D670,154 S \* 11/2012 Kelleghan ..... D8/356  
 D714,632 S \* 10/2014 Pando ..... D8/396  
 2003/0106190 A1 \* 6/2003 Christianson ..... 24/600.1  
 2008/0185409 A1 \* 8/2008 Kellenberger ..... 224/257  
 2009/0276983 A1 \* 11/2009 Chan ..... 24/369  
 2010/0071169 A1 \* 3/2010 Williams et al. .... 24/16 PB  
 2010/0306967 A1 \* 12/2010 Geiger ..... 24/16 PB

OTHER PUBLICATIONS

English Translation of JP H9-40004 A.

\* cited by examiner

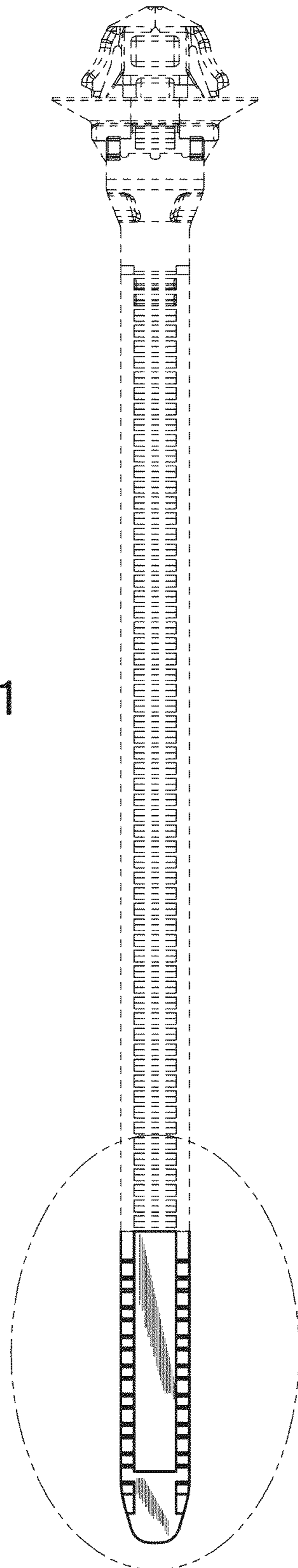


FIG. 1

FIG.2

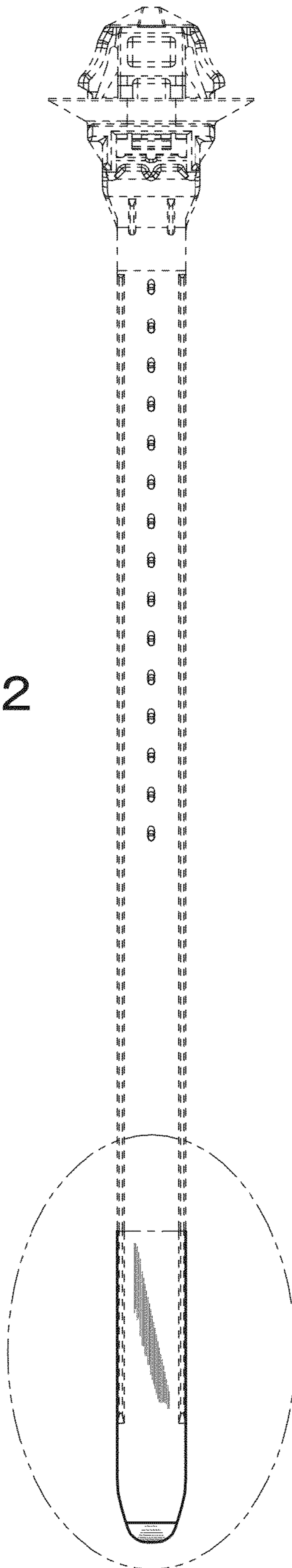
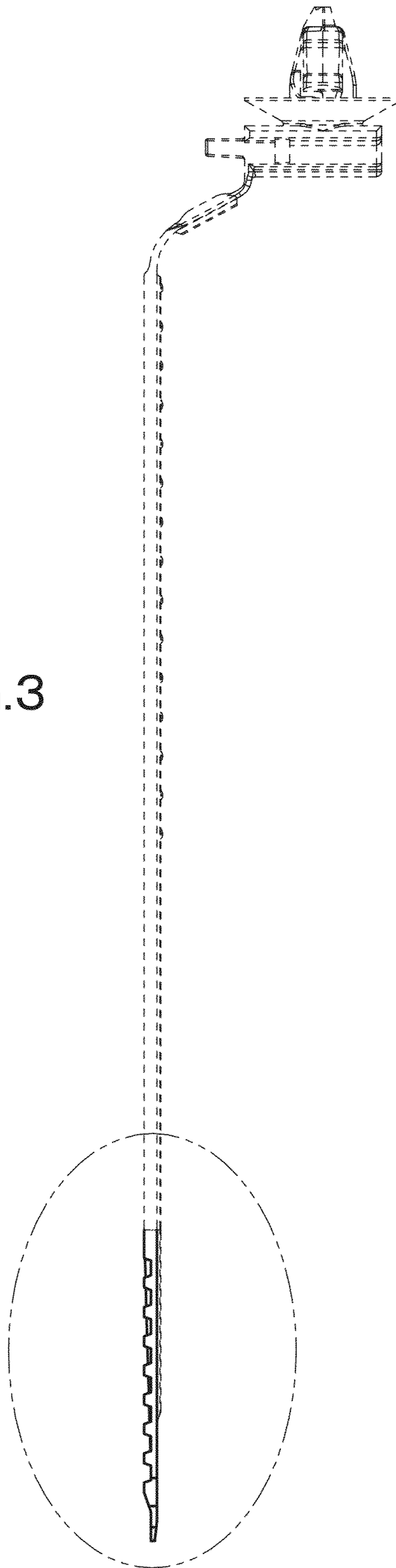


FIG.3



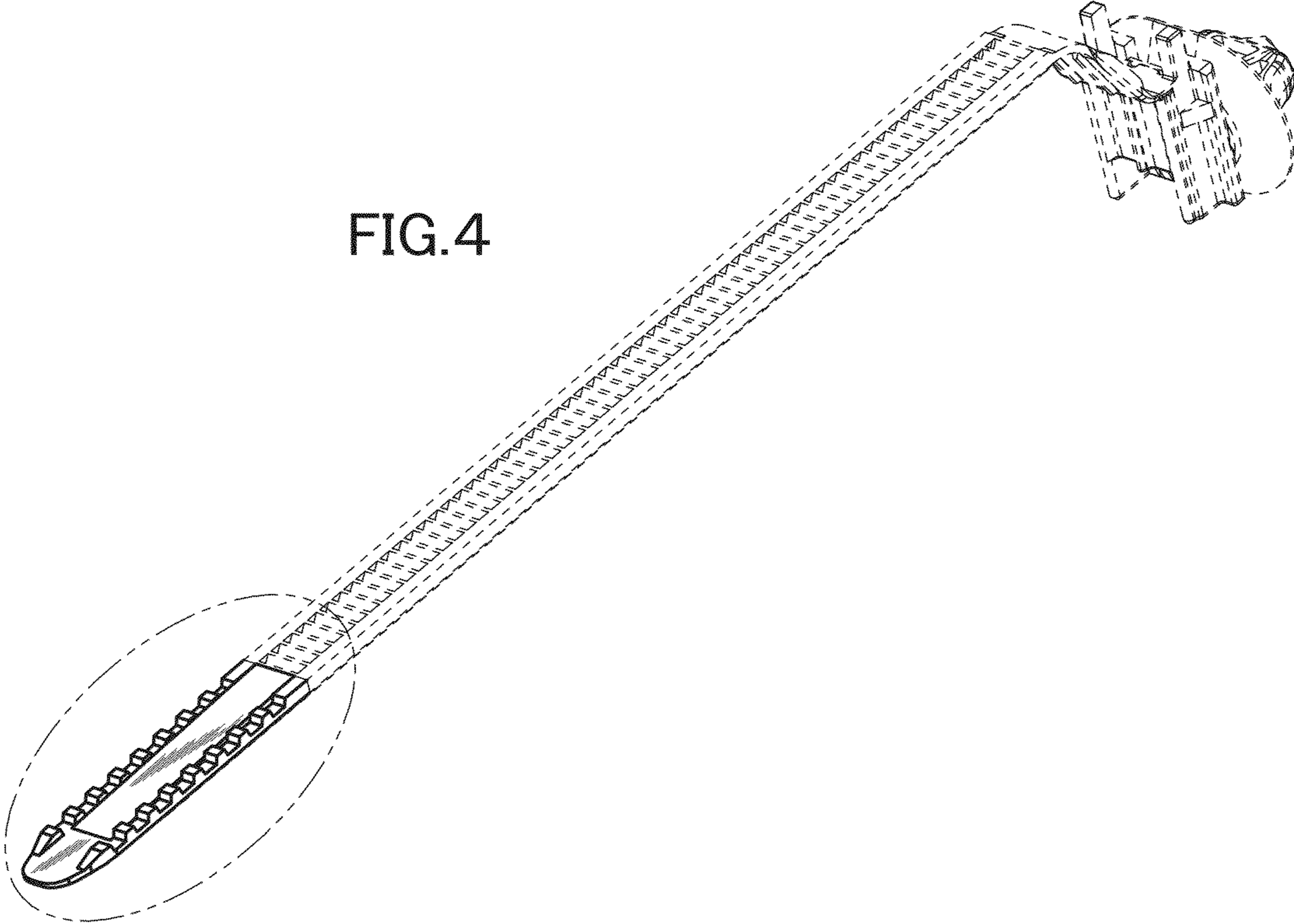


FIG.4

FIG.5

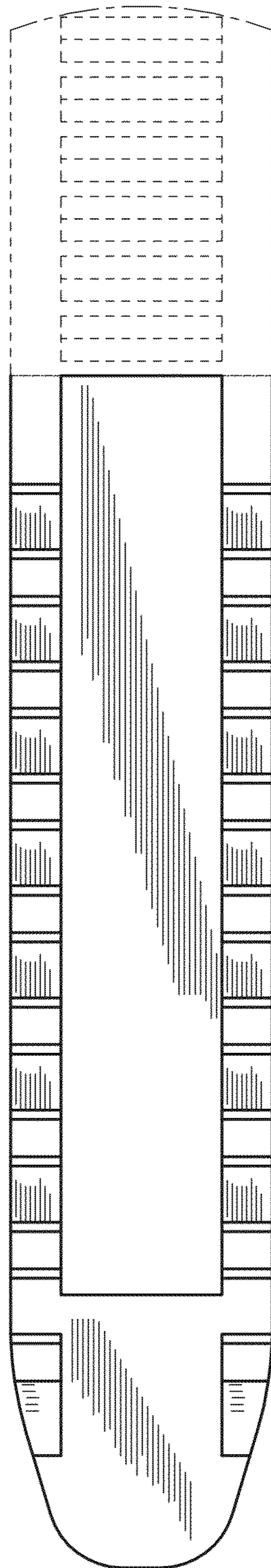


FIG.6

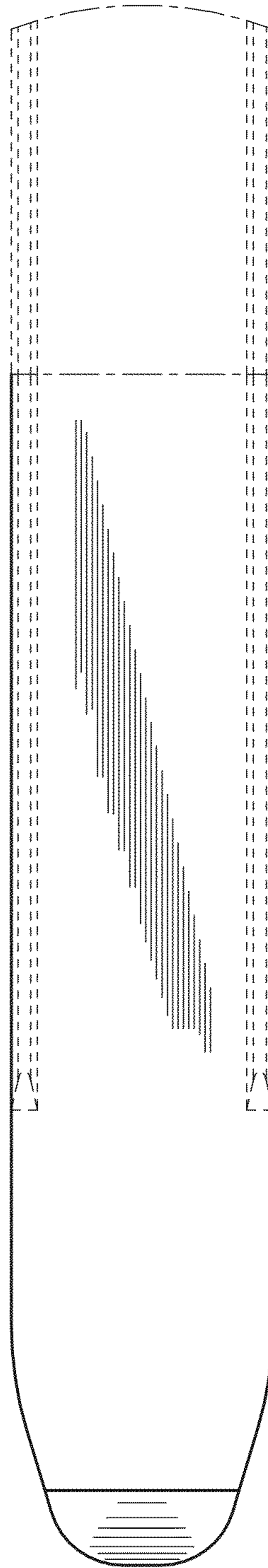




FIG. 7



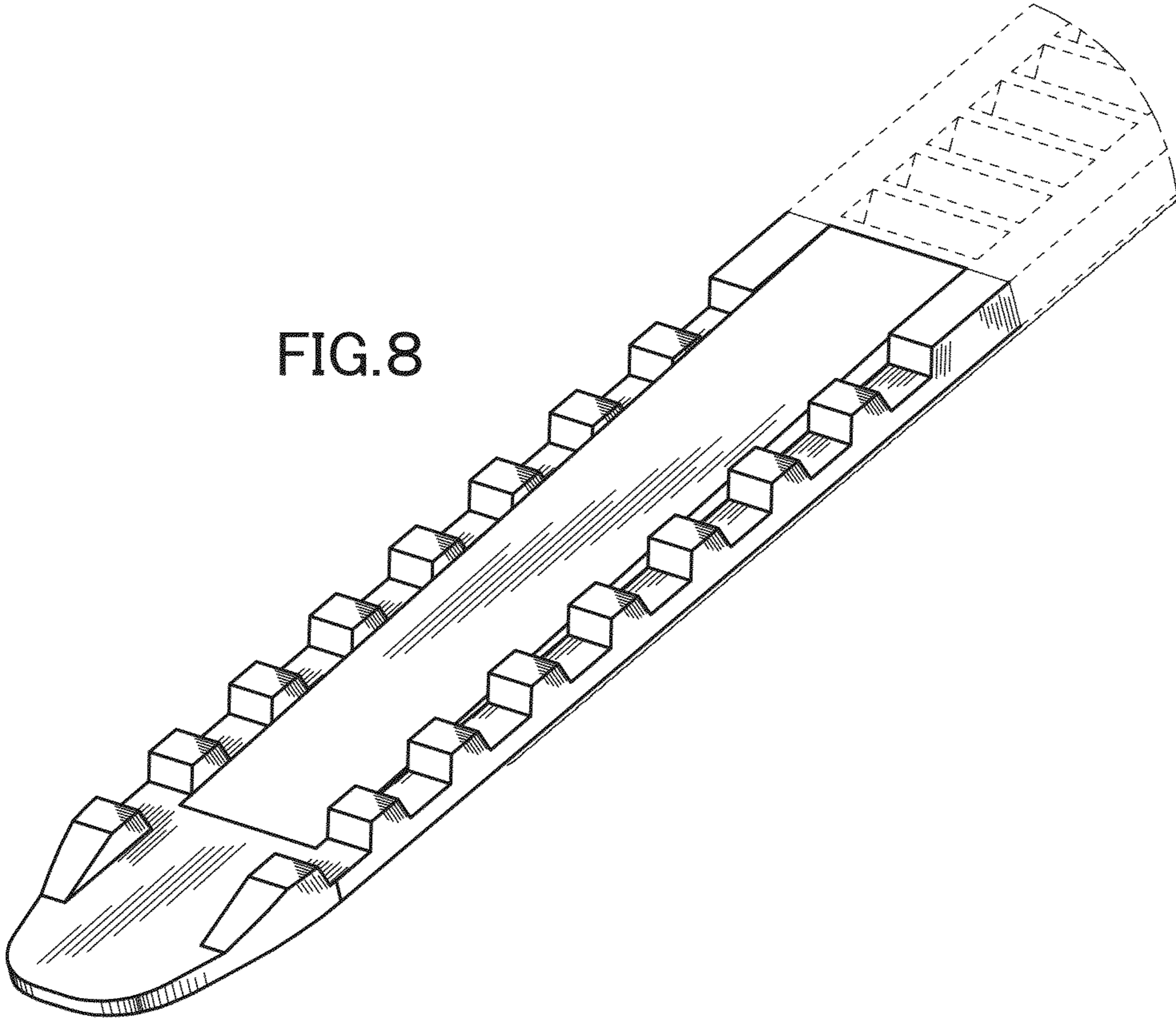


FIG. 8