



US00D732941S

(12) **United States Design Patent**  
**Erickson**

(10) **Patent No.:** **US D732,941 S**  
(45) **Date of Patent:** **\*\* Jun. 30, 2015**

(54) **MOUNT BRACKET**

(71) Applicant: **B. ERICKSON MANUFACTURING LTD.**, Thamesville (CA)

(72) Inventor: **Brent Erickson**, Thamesville (CA)

(73) Assignee: **B. ERICKSON MANUFACTURING LTD.**, Thamesville, Ontario (CA)

(\*\*) Term: **14 Years**

(21) Appl. No.: **29/471,370**

(22) Filed: **Oct. 31, 2013**

(51) **LOC (10) Cl.** ..... **08-05**

(52) **U.S. Cl.**  
USPC ..... **D8/381**

(58) **Field of Classification Search**  
USPC ..... D8/349, 354–356, 363–367, 370–373,  
D8/380, 382, 384, 381; D25/199; 248/215,  
248/465.1, 112, 153, 175, 218.1, 218.2,  
248/302, 303  
CPC .... A47B 96/06; A47B 96/062; A47B 96/063;  
A47B 96/066; A47B 96/067; A47B 96/068

See application file for complete search history.

(56) **References Cited**

U.S. PATENT DOCUMENTS

1,247,389	A *	11/1917	Futterman	.....	248/220.21
4,971,200	A *	11/1990	Huang et al.	.....	206/420
D371,505	S *	7/1996	Young	.....	D8/349
5,597,070	A *	1/1997	Wu	.....	206/419
6,285,565	B1 *	9/2001	Åberg et al.	.....	361/826
D485,160	S *	1/2004	Pelc	.....	D8/382
D600,105	S *	9/2009	Harris	.....	D8/382
D653,528	S *	2/2012	Choi et al.	.....	D8/381
D659,522	S *	5/2012	Noturno	.....	D8/382
D664,025	S *	7/2012	Horn	.....	D8/354
D705,043	S *	5/2014	Michaud et al.	.....	D8/366

\* cited by examiner

*Primary Examiner* — Elizabeth Albert

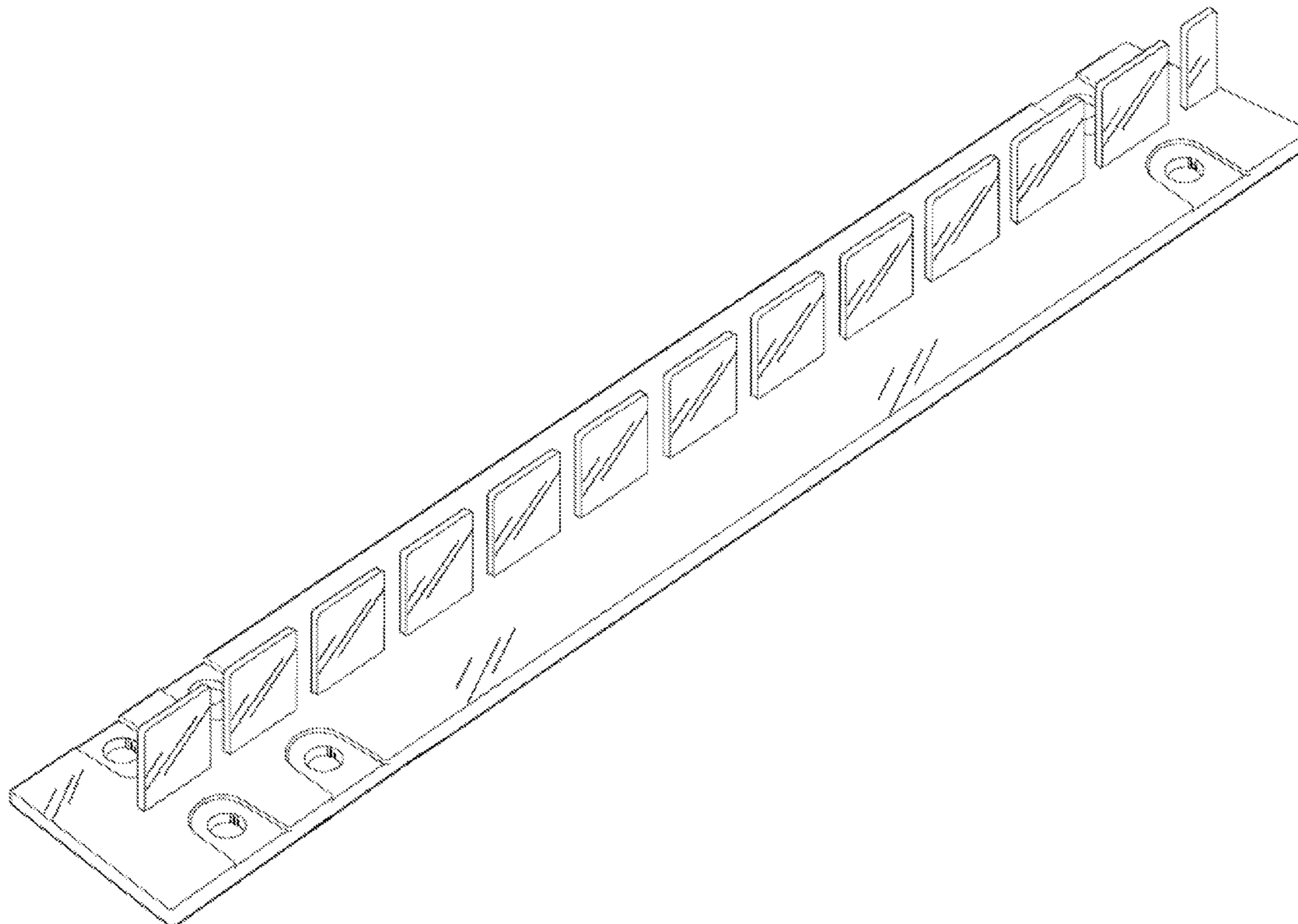
(57) **CLAIM**

The ornamental design for a mount bracket, as shown and described.

**DESCRIPTION**

FIG. 1 is a perspective view of the mount bracket according to the present invention.  
FIG. 2 is a left side view of the mount bracket according to the present invention.  
FIG. 3 is a right side view of the mount bracket according to the present invention.  
FIG. 4 is a front view of the mount bracket according to the present invention; and,  
FIG. 5 is a top view of the mount bracket according to the present invention.

**1 Claim, 5 Drawing Sheets**



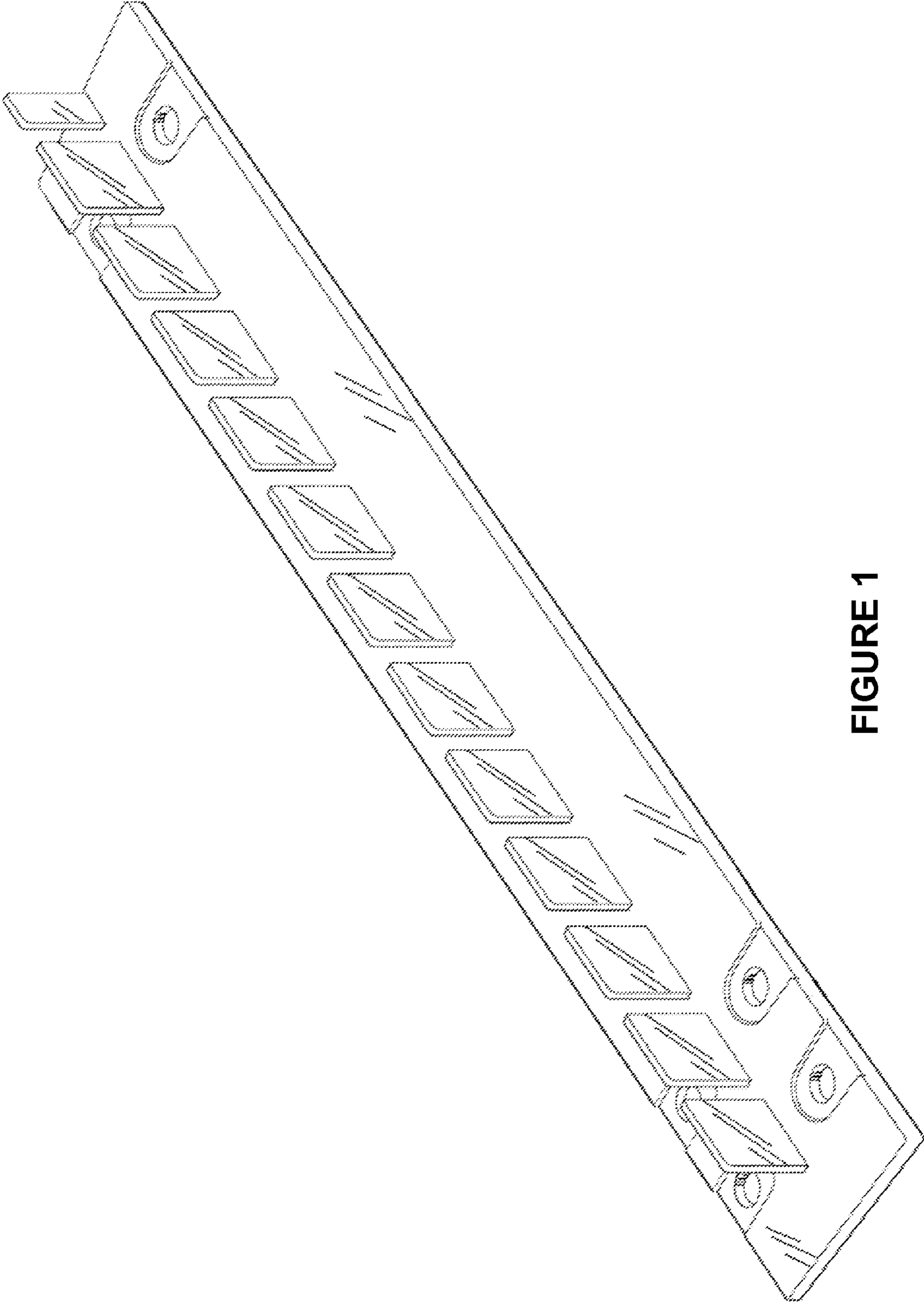


FIGURE 1

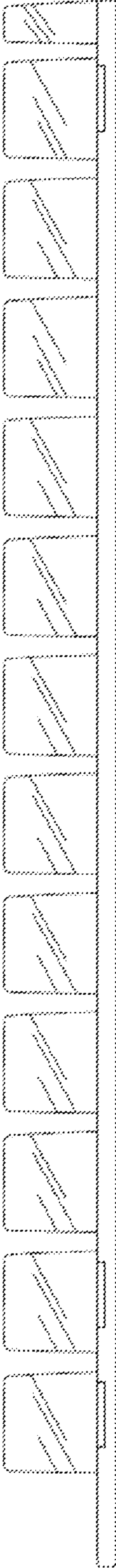


FIGURE 2

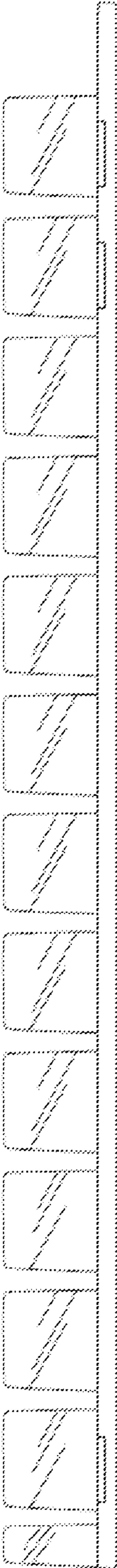


FIGURE 3

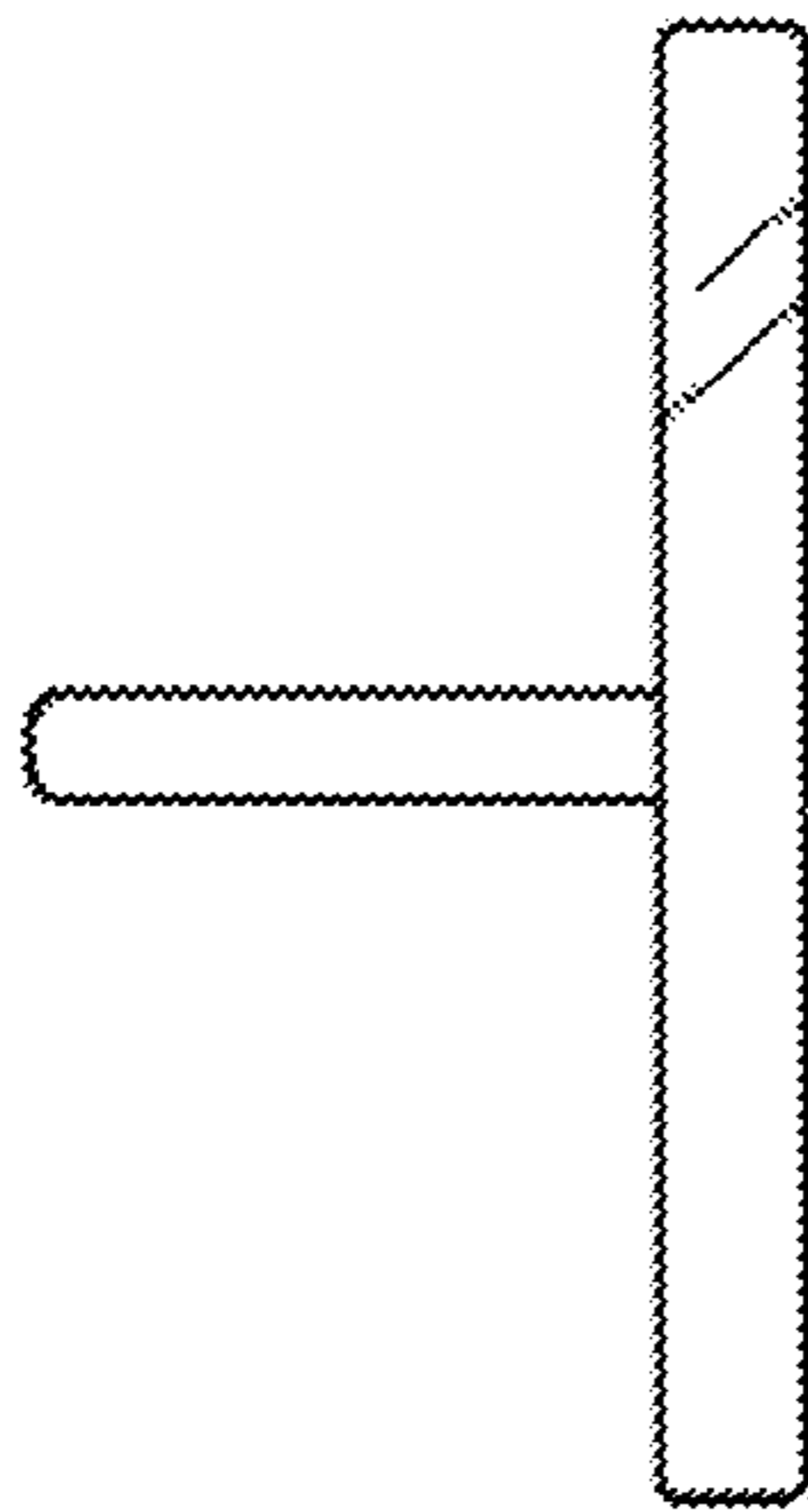


FIGURE 4

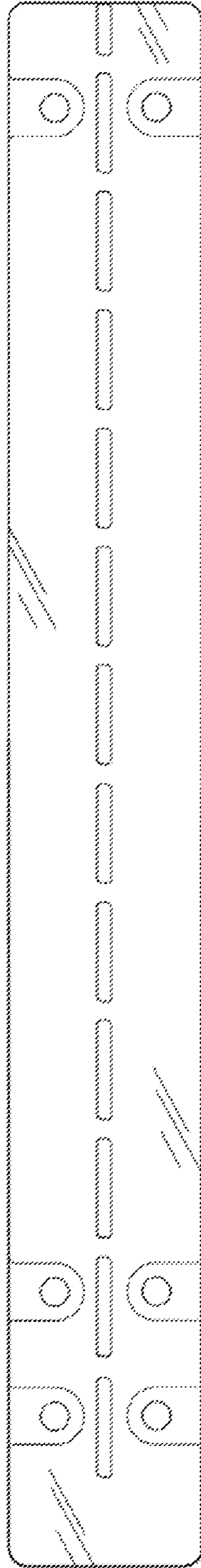


FIGURE 5