



US00D732939S

(12) **United States Design Patent**  
**Cannaverde**

(10) **Patent No.:** **US D732,939 S**  
(45) **Date of Patent:** **\*\* Jun. 30, 2015**

- (54) **BRACKET**
- (71) Applicant: **ROLLEASE, INC.**, Stamford, CT (US)
- (72) Inventor: **Joseph Cannaverde**, Stamford, CT (US)
- (73) Assignee: **Rollease, Inc.**, Stamford, CT (US)
- (\*\*) Term: **14 Years**
- (21) Appl. No.: **29/461,877**
- (22) Filed: **Jul. 29, 2013**

3,136,357	A *	6/1964	Lorentzen et al. ....	160/178.1 R
3,196,935	A *	7/1965	Christensen .....	160/267.1
3,372,728	A *	3/1968	Schaefer .....	160/39
3,595,511	A *	7/1971	Summerville, Jr. ....	248/264
3,854,517	A *	12/1974	Nakamura .....	160/323.1
4,114,233	A *	9/1978	Hamilton .....	16/95 R
4,122,559	A *	10/1978	Kelly .....	4/608
4,167,261	A *	9/1979	Bartels .....	248/270
4,231,411	A *	11/1980	Hehl et al. ....	160/120
4,249,714	A *	2/1981	Boyle .....	248/267
4,372,432	A *	2/1983	Waine et al. ....	192/223.4
4,399,855	A *	8/1983	Volfson .....	160/23.1
4,433,765	A *	2/1984	Rude et al. ....	192/41 S
4,466,475	A *	8/1984	Saito et al. ....	160/297
4,538,785	A *	9/1985	Damsgaard .....	248/268
4,623,012	A *	11/1986	Rude et al. ....	160/243

(Continued)

**Related U.S. Application Data**

- (63) Continuation of application No. 13/228,764, filed on Sep. 9, 2011, now abandoned.
- (51) **LOC (10) Cl.** ..... **08-05**
- (52) **U.S. Cl.**  
USPC ..... **D8/380; D8/371; D8/354**
- (58) **Field of Classification Search**  
USPC ..... D8/349, 354, 366, 380, 381, 356, 371;  
160/321, 323.1, 903; 248/267, 268,  
248/300, 200, 229.1, 271, 317, 252, 254,  
248/257, 266; 192/223.4  
See application file for complete search history.

**OTHER PUBLICATIONS**

U.S. Appl. No. 13/962,042, filed Aug. 8, 2013, Joseph A. Cannaverde.

(Continued)

*Primary Examiner* — Mark Goodwin  
(74) *Attorney, Agent, or Firm* — Gottlieb, Rackman & Reisman, P.C.

(57) **CLAIM**  
The ornamental design for a bracket, as shown and described.

(56) **References Cited**

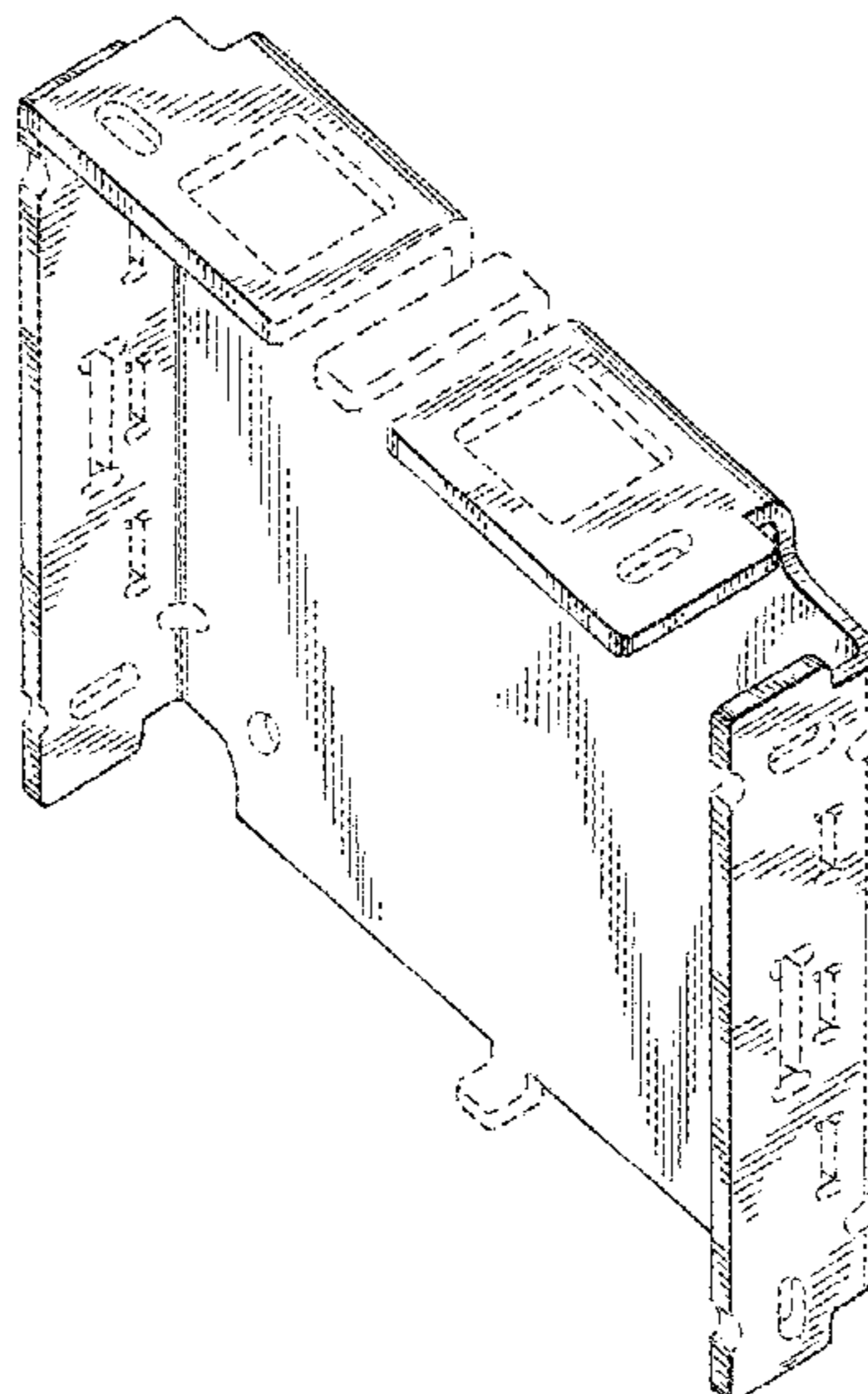
**U.S. PATENT DOCUMENTS**

899,116	A *	9/1908	Loughner .....	248/267
931,968	A *	8/1909	Smith .....	248/267
1,329,249	A *	1/1920	Leach .....	248/259
1,476,160	A *	12/1923	Kirsch .....	248/267
1,545,160	A *	7/1925	Myers .....	248/266
1,678,590	A *	7/1928	Dixson .....	160/23.1
2,001,864	A *	5/1935	Benjinsohn .....	248/267
2,099,068	A *	11/1937	Keithly .....	160/23.1
2,138,502	A *	11/1938	Nordstrom, Jr. et al. ....	248/264
2,238,196	A *	4/1941	Tyler .....	248/267
2,548,041	A *	4/1951	Morse .....	160/23.1
2,594,656	A *	4/1952	Junkunc .....	160/38

**DESCRIPTION**

FIG. 1 is a perspective view showing my new design;  
FIG. 2 is a top plan view thereof;  
FIG. 3 is a front elevational view thereof;  
FIG. 4 is a right side elevational view thereof;  
FIG. 5 is a rear elevational view thereof; and  
FIG. 6 is a bottom plan view thereof; and,  
FIG. 7 is a left side elevational view.  
It being understood that the broken lines are for illustrative purposes only and form no part of the claimed design.

**1 Claim, 3 Drawing Sheets**



(56)

References Cited

U.S. PATENT DOCUMENTS

4,729,418 A \* 3/1988 Rude ..... 160/323.1  
 4,751,953 A \* 6/1988 Appel et al. .... 160/313  
 4,865,109 A \* 9/1989 Sherman ..... 160/321  
 5,029,629 A \* 7/1991 Cheng-Pei ..... 160/300  
 5,127,458 A \* 7/1992 Schaefer et al. .... 160/168.1 R  
 D331,186 S \* 11/1992 Sachs ..... D8/380  
 5,330,821 A \* 7/1994 Lo ..... 428/120  
 5,501,261 A \* 3/1996 Peale ..... 160/168.1 R  
 5,609,196 A \* 3/1997 Kraler ..... 160/271  
 D387,970 S \* 12/1997 Enslen ..... D8/349  
 5,857,653 A \* 1/1999 Dujlovich ..... 248/267  
 D409,079 S \* 5/1999 Sobczynski ..... D8/354  
 D409,474 S \* 5/1999 Chou ..... D8/354  
 5,975,186 A \* 11/1999 Day ..... 160/321  
 6,164,428 A \* 12/2000 Berman et al. .... 192/223.4  
 6,173,825 B1 \* 1/2001 Liu ..... 192/223.4  
 6,196,508 B1 \* 3/2001 Nijs ..... 248/267  
 6,202,967 B1 \* 3/2001 Fraczek ..... 248/261  
 6,382,296 B1 \* 5/2002 Judkins ..... 160/178.1 R

6,457,688 B1 \* 10/2002 Welfonder ..... 248/266  
 6,499,709 B1 \* 12/2002 Parent ..... 248/267  
 6,532,109 B1 \* 3/2003 Shopp ..... 359/461  
 6,585,208 B1 \* 7/2003 Fraser ..... 248/251  
 6,739,373 B1 \* 5/2004 Liu et al. .... 160/321  
 6,817,402 B1 \* 11/2004 Fraczek et al. .... 160/323.1  
 6,935,401 B2 \* 8/2005 Fraczek et al. .... 160/321  
 6,981,539 B2 \* 1/2006 Fraczek ..... 160/84.05  
 D557,115 S \* 12/2007 Zakowski et al. .... D8/354  
 D557,116 S \* 12/2007 Zakowski et al. .... D8/354  
 D557,117 S \* 12/2007 Cannaverde ..... D8/354  
 D564,343 S 3/2008 Zakowski  
 D596,018 S \* 7/2009 Lisowski ..... D8/380  
 D596,020 S \* 7/2009 Lisowski ..... D8/380  
 2003/0015301 A1 \* 1/2003 Killo et al. .... 160/310  
 2008/0142171 A1 \* 6/2008 Koop et al. .... 160/243  
 2012/0160975 A1 6/2012 Cannaverde

OTHER PUBLICATIONS

U.S. Appl. No. 29/461,850, filed Jul. 29, 2013, Cannaverde.

\* cited by examiner

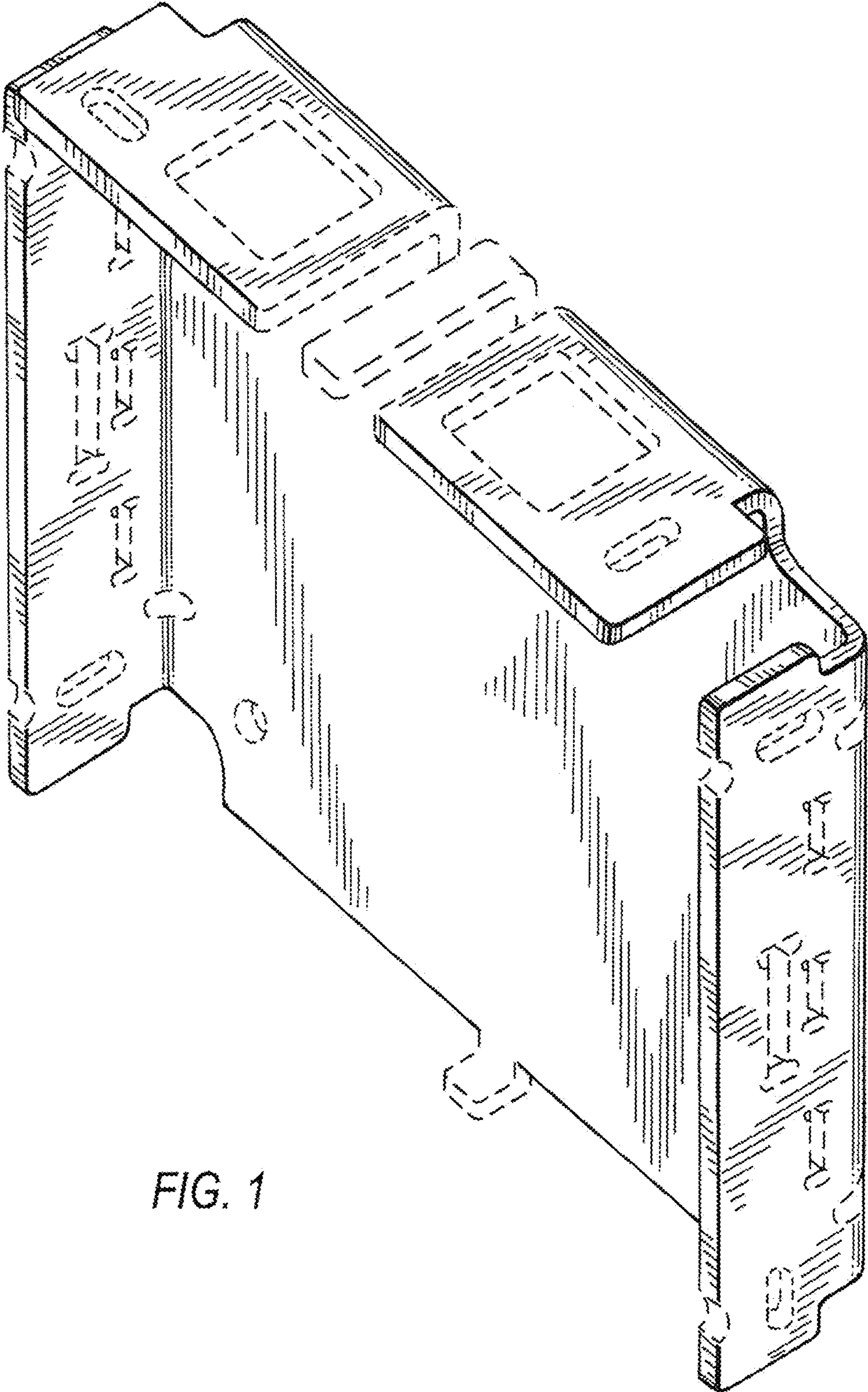


FIG. 1

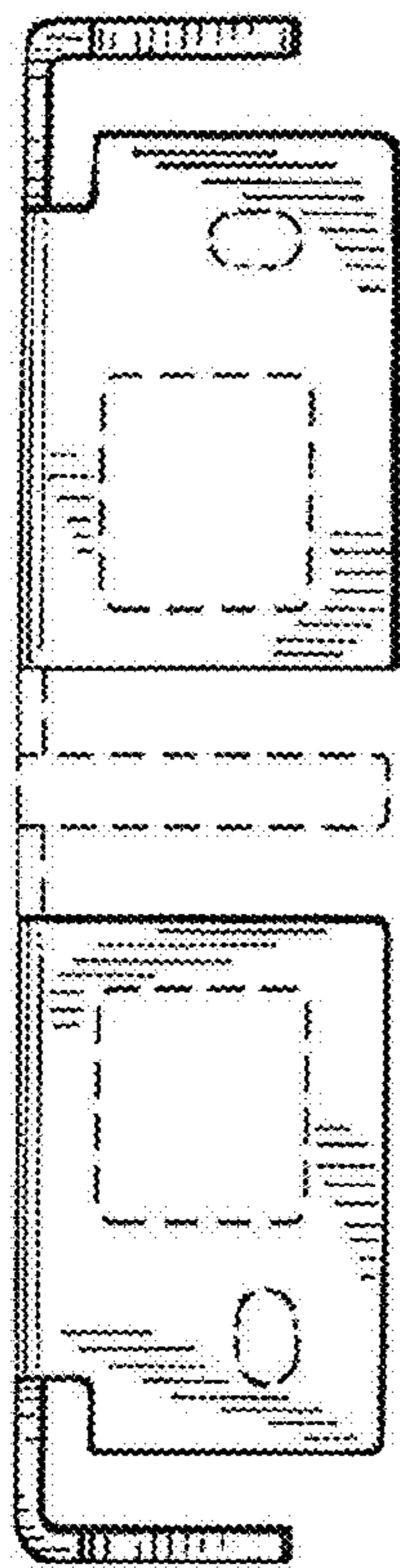


FIG. 2

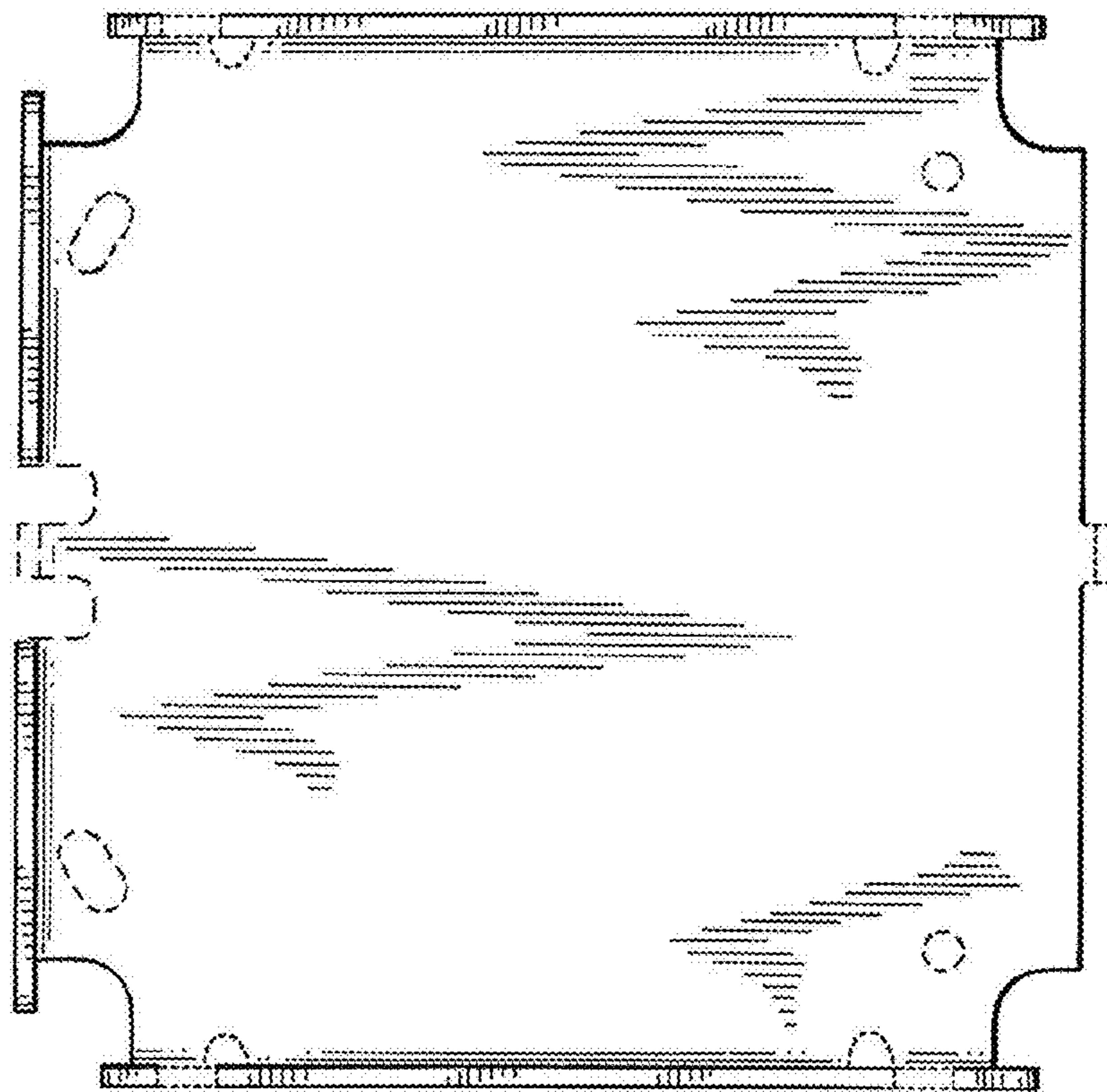
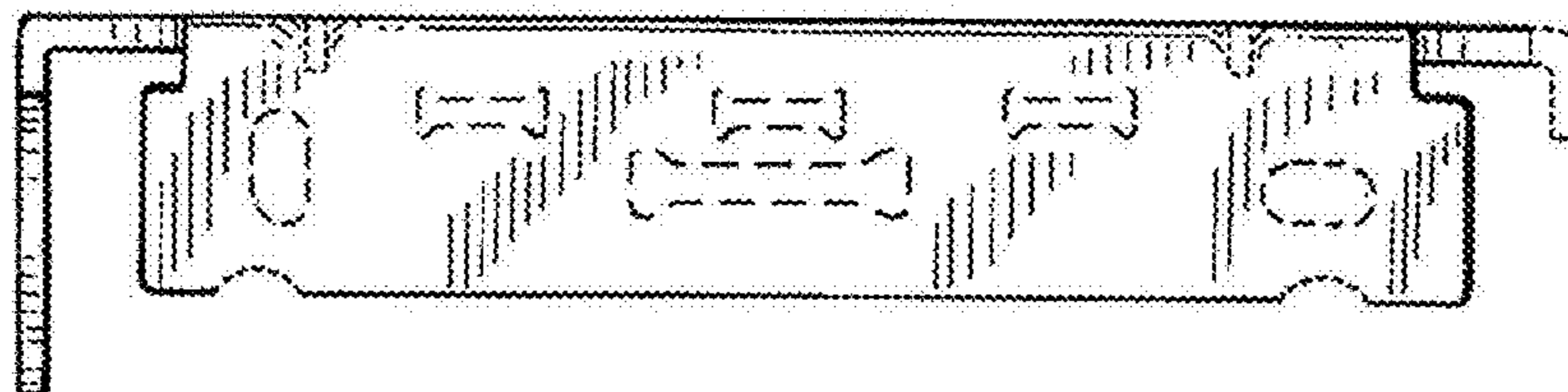


FIG. 3

FIG. 4



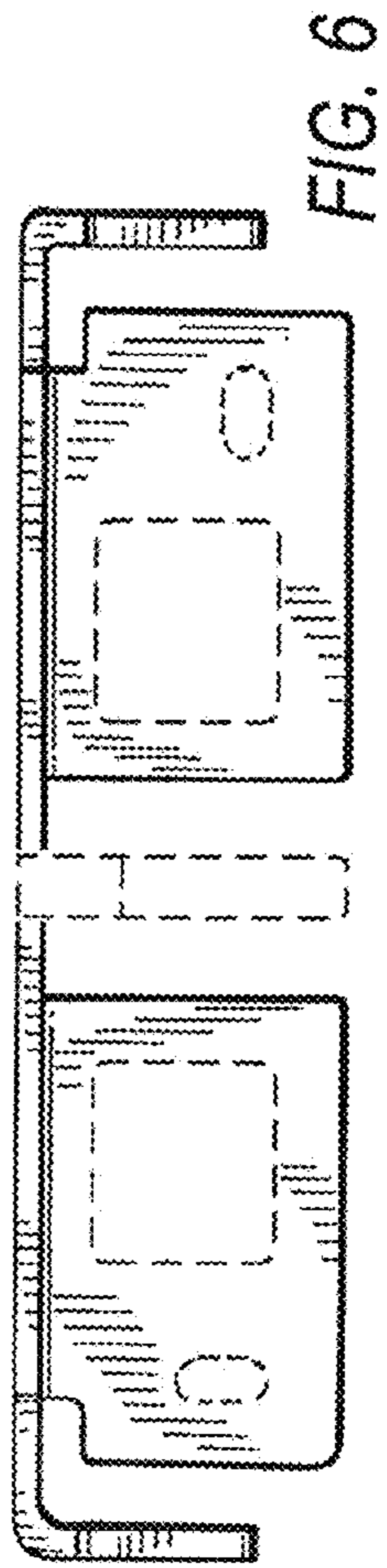
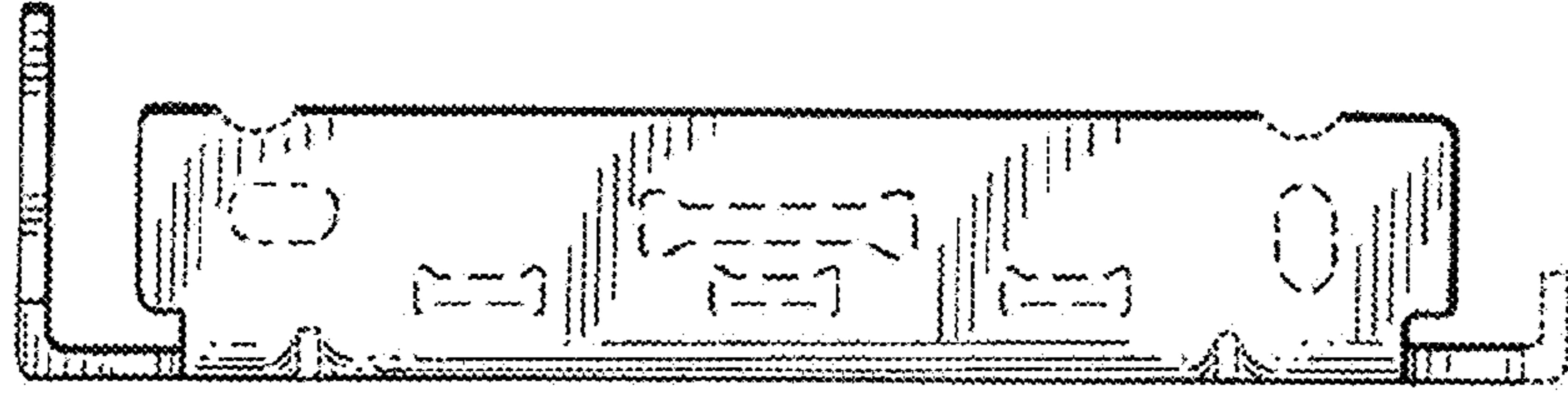
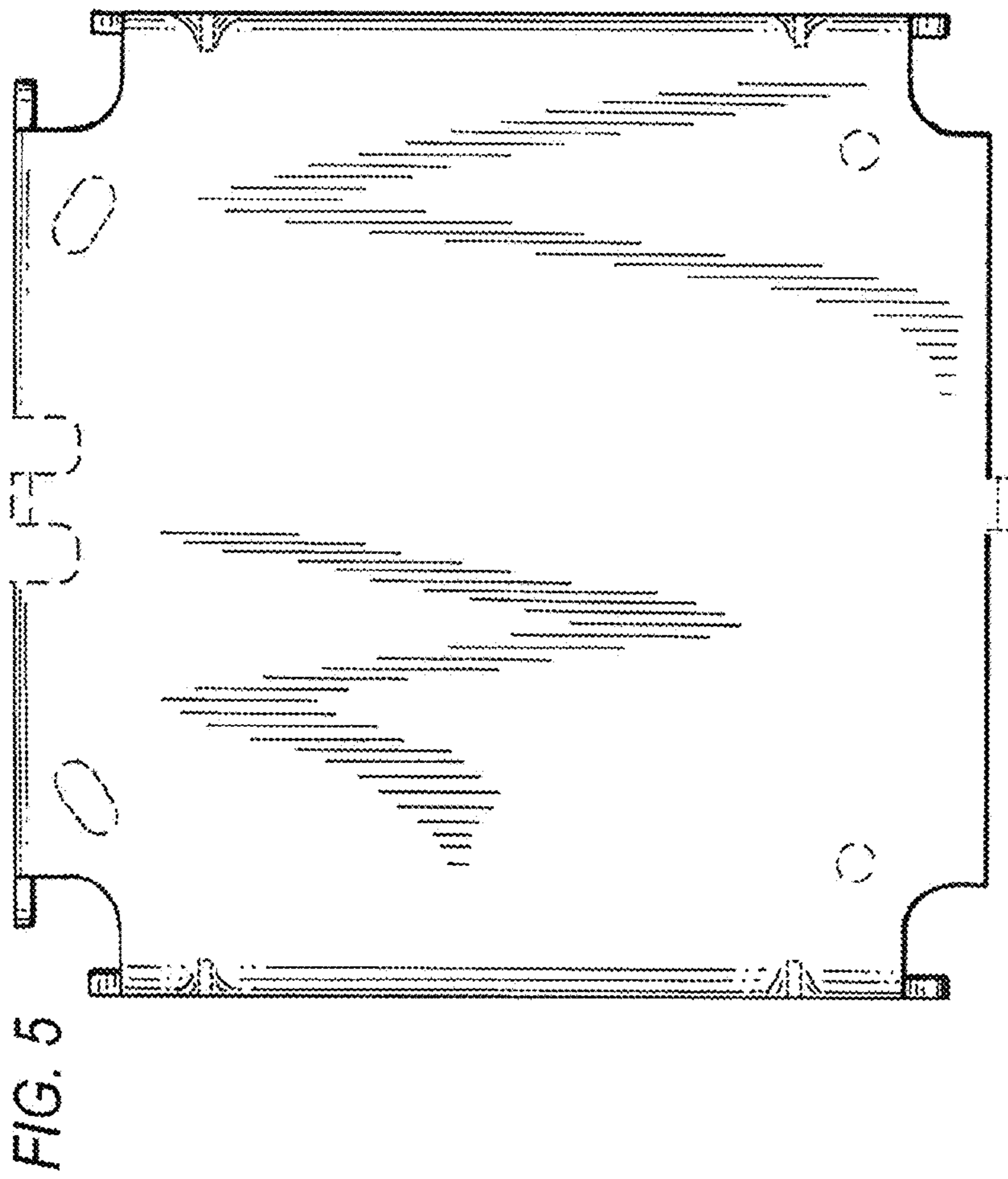


FIG. 7

FIG. 6