



US00D732938S

(12) **United States Design Patent**
Schraufnagel et al.

(10) **Patent No.:** **US D732,938 S**
(45) **Date of Patent:** **** Jun. 30, 2015**

(54) **HOOK**

(56) **References Cited**

(71) Applicant: **Liberty Hardware Mfg. Corp.**,
Winston-Salem, NC (US)
(72) Inventors: **Natalie A. Schraufnagel**, Chicago, IL
(US); **Adam W. Callif**, Chicago, IL (US)

U.S. PATENT DOCUMENTS

D19,587 S *	1/1890	Steltz	D8/363
D26,680 S *	2/1897	Faatz	D8/371
D389,035 S *	1/1998	Smiley et al.	D8/363
D481,303 S *	10/2003	Fell et al.	D8/395
D706,614 S *	6/2014	Schraufnagel et al.	D8/372
D706,615 S *	6/2014	Schraufnagel et al.	D8/372
D719,819 S *	12/2014	Goodman et al.	D8/372

* cited by examiner

(73) Assignee: **Liberty Hardware Mfg. Corp.**,
Winston-Salem, NC (US)

Primary Examiner — Robert M Spear
Assistant Examiner — Eliza Bennett-Hattan

(**) Term: **14 Years**

(74) *Attorney, Agent, or Firm* — Lora J. Graentzdoeriffer

(21) Appl. No.: **29/472,241**

(57) **CLAIM**

The ornamental design for a hook, as shown and described.

(22) Filed: **Nov. 11, 2013**

DESCRIPTION

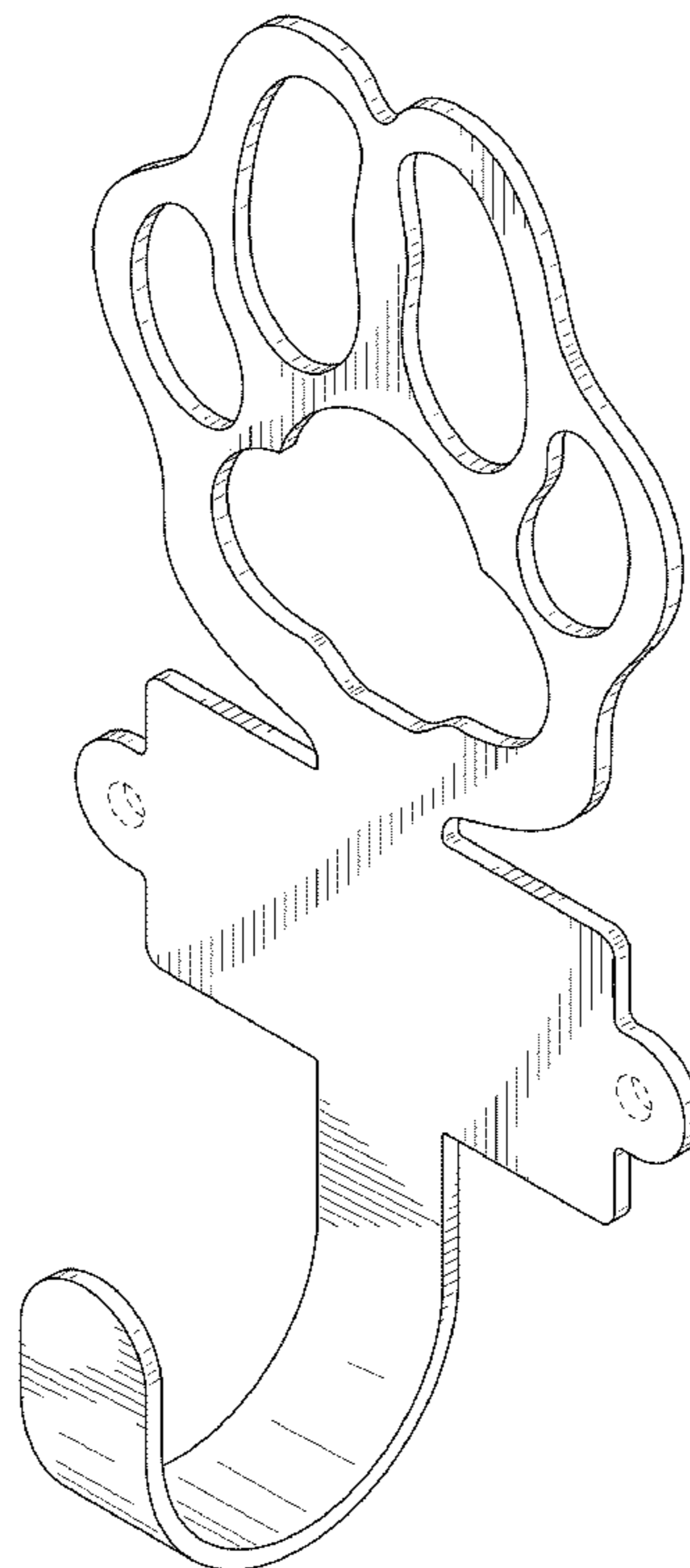
(51) **LOC (10) Cl.** **08-05**

(52) **U.S. Cl.**
USPC **D8/371**

(58) **Field of Classification Search**
USPC D8/383, 374, 300, 303, 313, 314, 394,
D8/396, 380, 373, 395, 363, 381, 44, 19,
D8/352, 370, 308, 372, 376; D13/133;
D19/1; D22/108; D26/87; D9/686,
D9/687; D23/238; D6/556, 554, 546, 540,
D6/550, 300, 325, 682
CPC A47G 7/044; A47G 7/045; A47G 7/047;
A47G 7/07; A01G 9/12; A01G 9/1066
See application file for complete search history.

FIG. 1 is a perspective view thereof;
FIG. 2 is a front elevational view thereof;
FIG. 3 is a rear elevational view thereof;
FIG. 4 is a left side elevational view thereof;
FIG. 5 is a right side elevational view thereof;
FIG. 6 is a top plan view thereof; and,
FIG. 7 is a bottom plan view thereof.
The broken-line disclosure in the views represents portions of the article in which the claimed design is embodied, but which form no part of the claimed design.

1 Claim, 5 Drawing Sheets



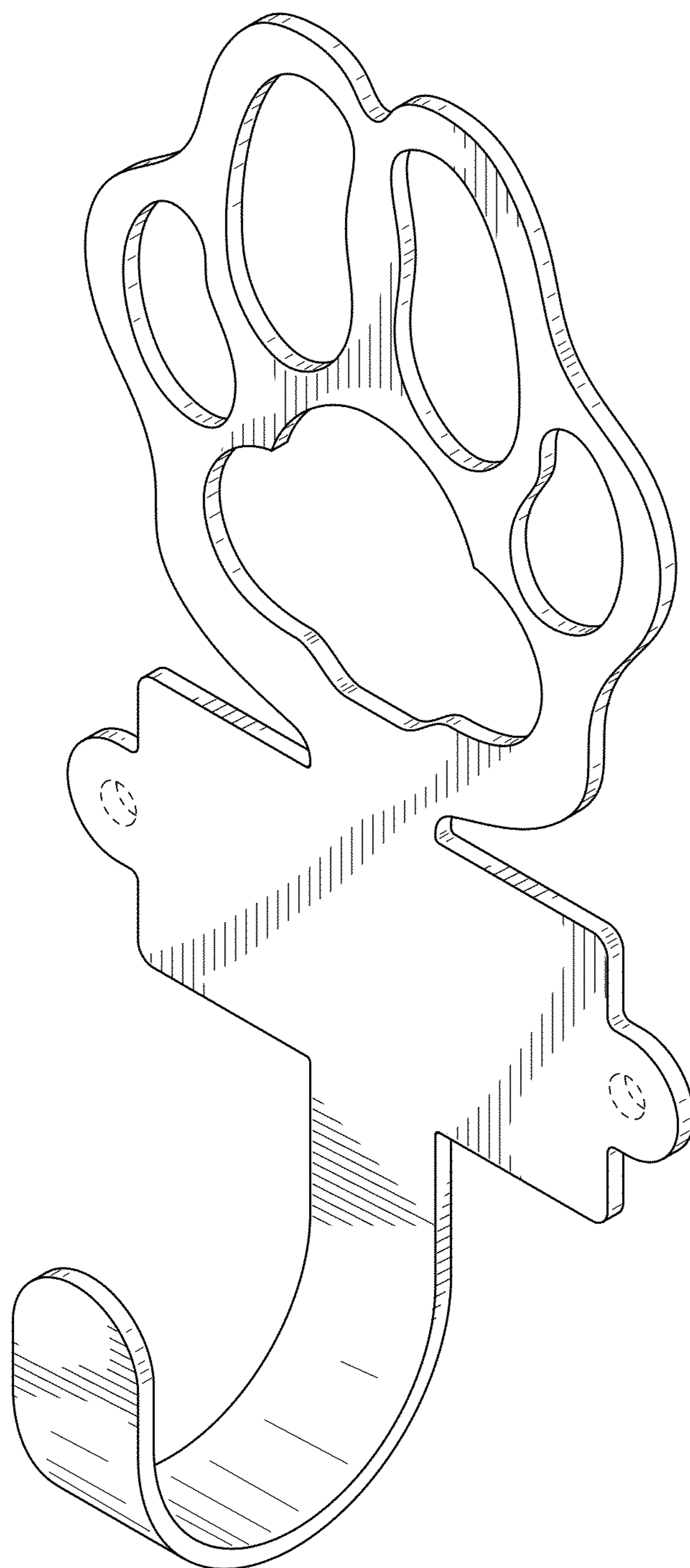


FIG. 1

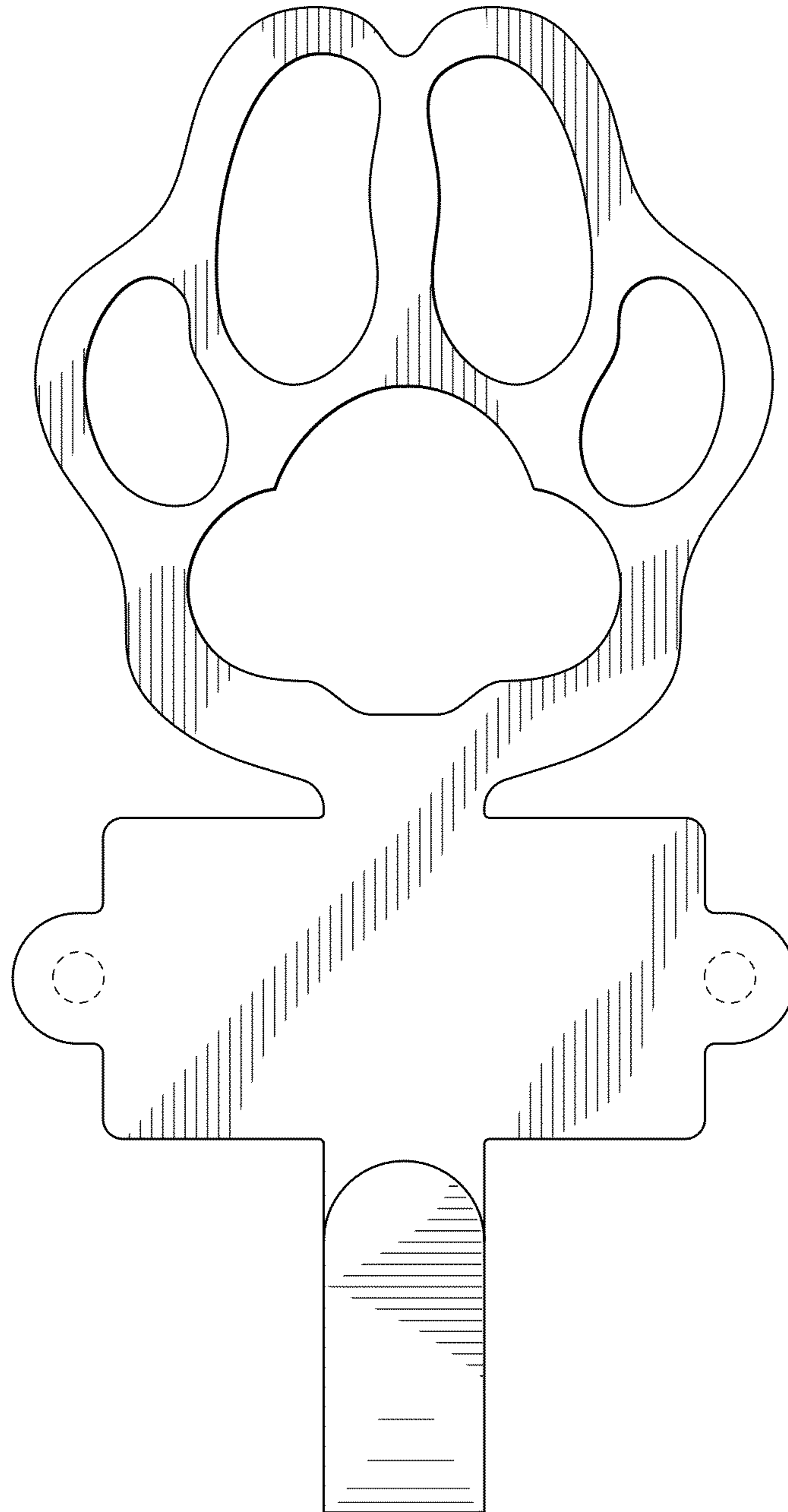


FIG. 2

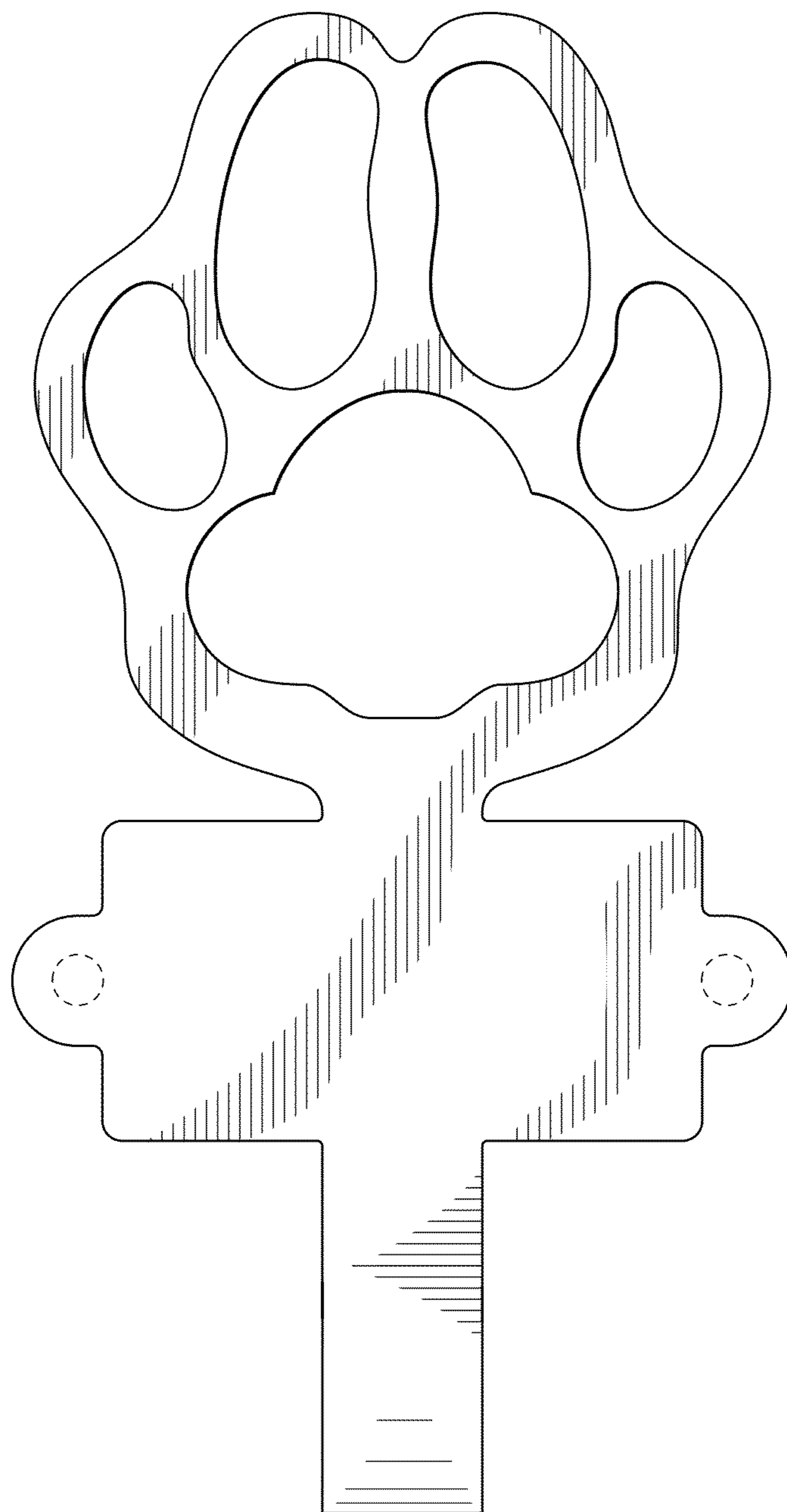


FIG. 3

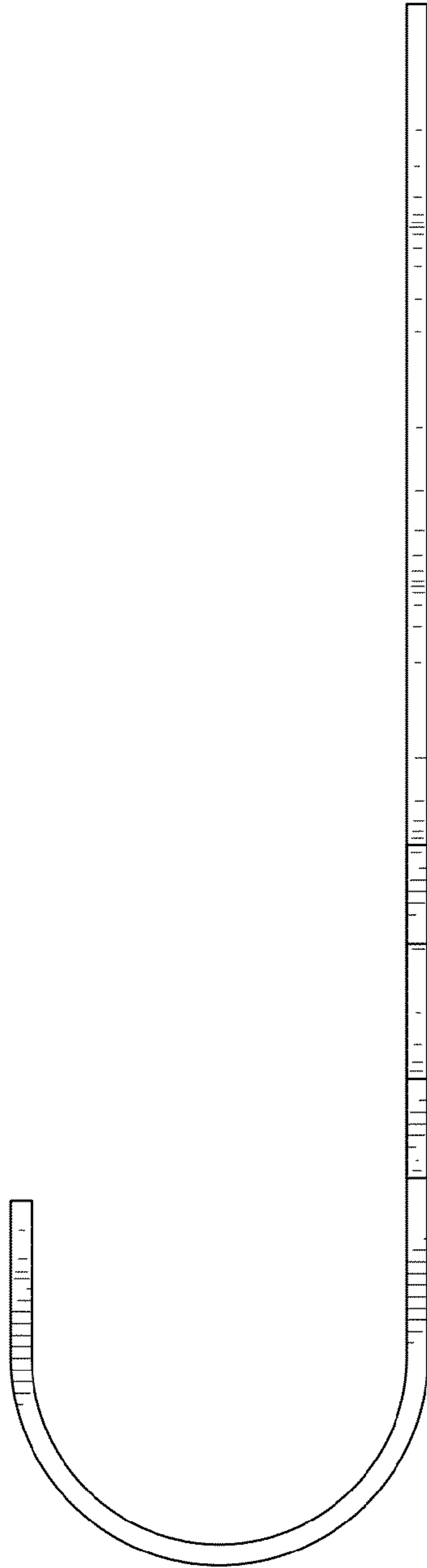


FIG. 4

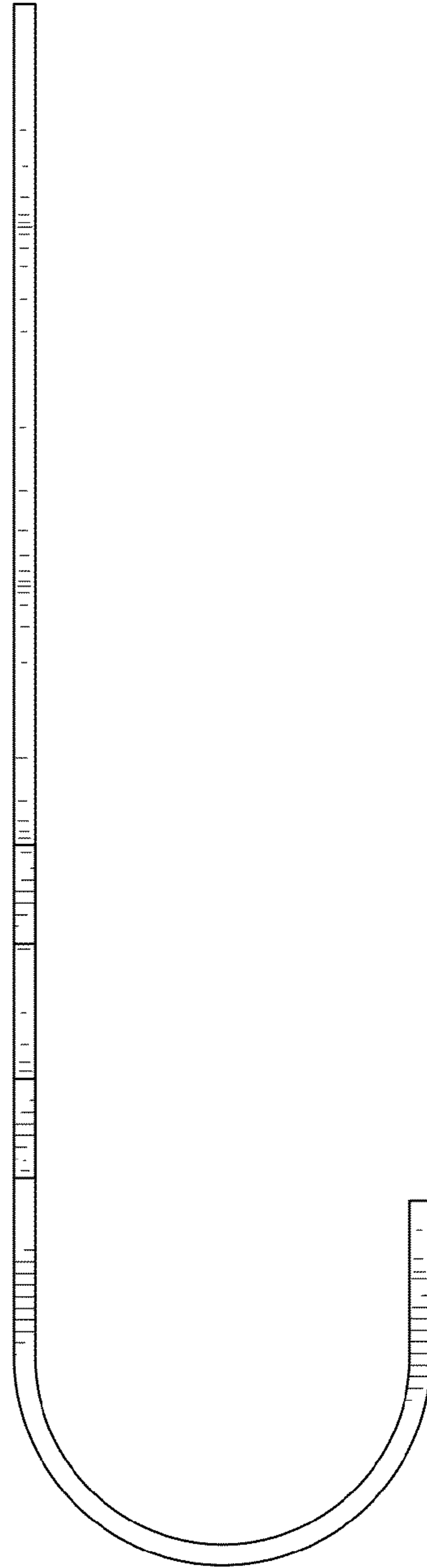


FIG. 5

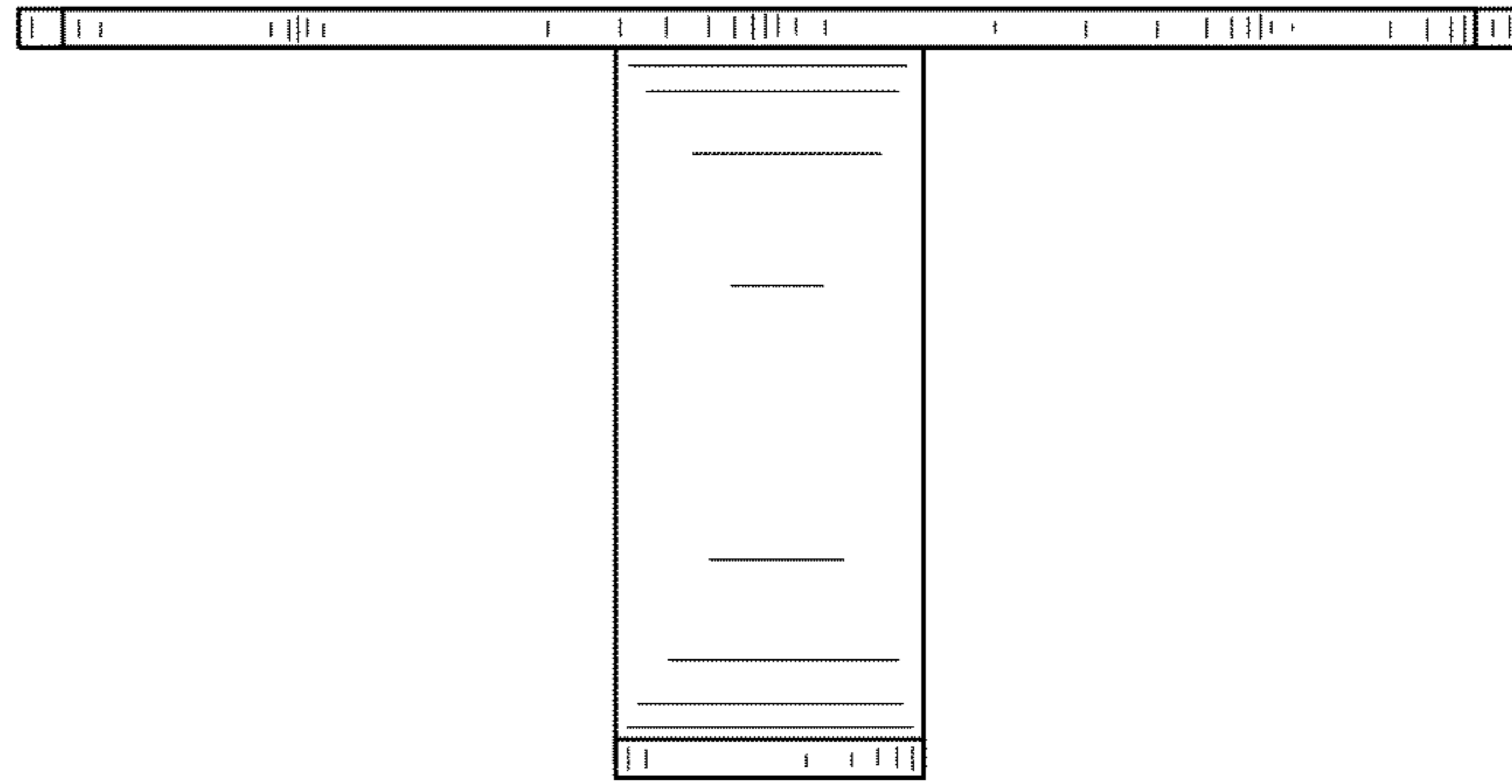


FIG. 6

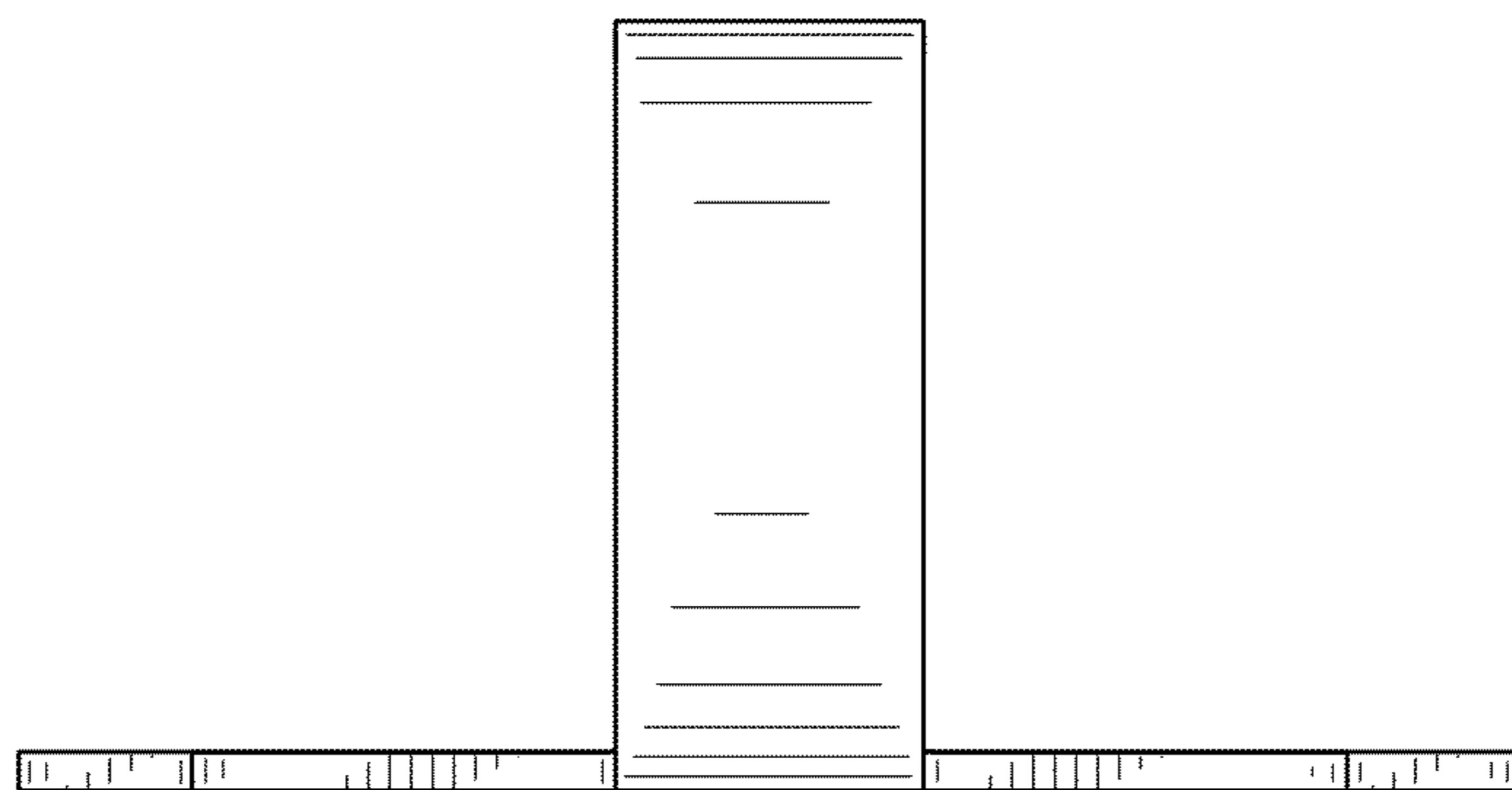


FIG. 7