



US00D732936S

(12) **United States Design Patent**  
**Chang**

(10) **Patent No.:** **US D732,936 S**  
(45) **Date of Patent:** **\*\* Jun. 30, 2015**

(54) **SUPPORT BRACKET**

(71) Applicant: **Designer Brass Corporation**, Taichung (TW)

(72) Inventor: **Cheng Chung Chang**, Taichung (TW)

(73) Assignee: **DESIGNER BRASS CORPORATION**, Taichung (TW)

(\*\*) Term: **14 Years**

(21) Appl. No.: **29/484,817**

(22) Filed: **Mar. 13, 2014**

(51) **LOC (10) Cl.** ..... **08-08**

(52) **U.S. Cl.**  
USPC ..... **D8/363**

(58) **Field of Classification Search**  
USPC ..... D8/19, 44, 383, 374, 300, 303, 313, D8/314, 363, 381, 380, 373, 394, 395, D8/396; 24/136 K, 130, 136 R; 42/50; 5/205, 224; 403/314; 248/328; D13/133; D22/108; D19/1; D30/119; D6/540, 546, 554, 550  
CPC ... A47H 1/022; A47H 1/102; A47H 2201/02; A47H 13/00; A47H 1/02; A47H 1/122; A47H 1/142; A47H 2001/0205; E04F 13/0803  
See application file for complete search history.

(56) **References Cited**

**U.S. PATENT DOCUMENTS**

D408,188 S *	4/1999	Kuo	.....	D6/550
D429,998 S *	8/2000	Snell	.....	D8/363
D453,434 S	2/2002	Ou-Young		
D466,347 S *	12/2002	Chen	.....	D6/550
D466,348 S *	12/2002	Yen	.....	D6/550
D466,349 S *	12/2002	Tai	.....	D6/550
D469,644 S *	2/2003	Yen	.....	D6/550
D477,735 S *	7/2003	Solowiej	.....	D6/546
D505,819 S	6/2005	Hoernig		

(Continued)

*Primary Examiner* — Robert M Spear

*Assistant Examiner* — Eliza Bennett-Hattan

(74) *Attorney, Agent, or Firm* — Muncy, Geissler, Olds & Lowe P.C.

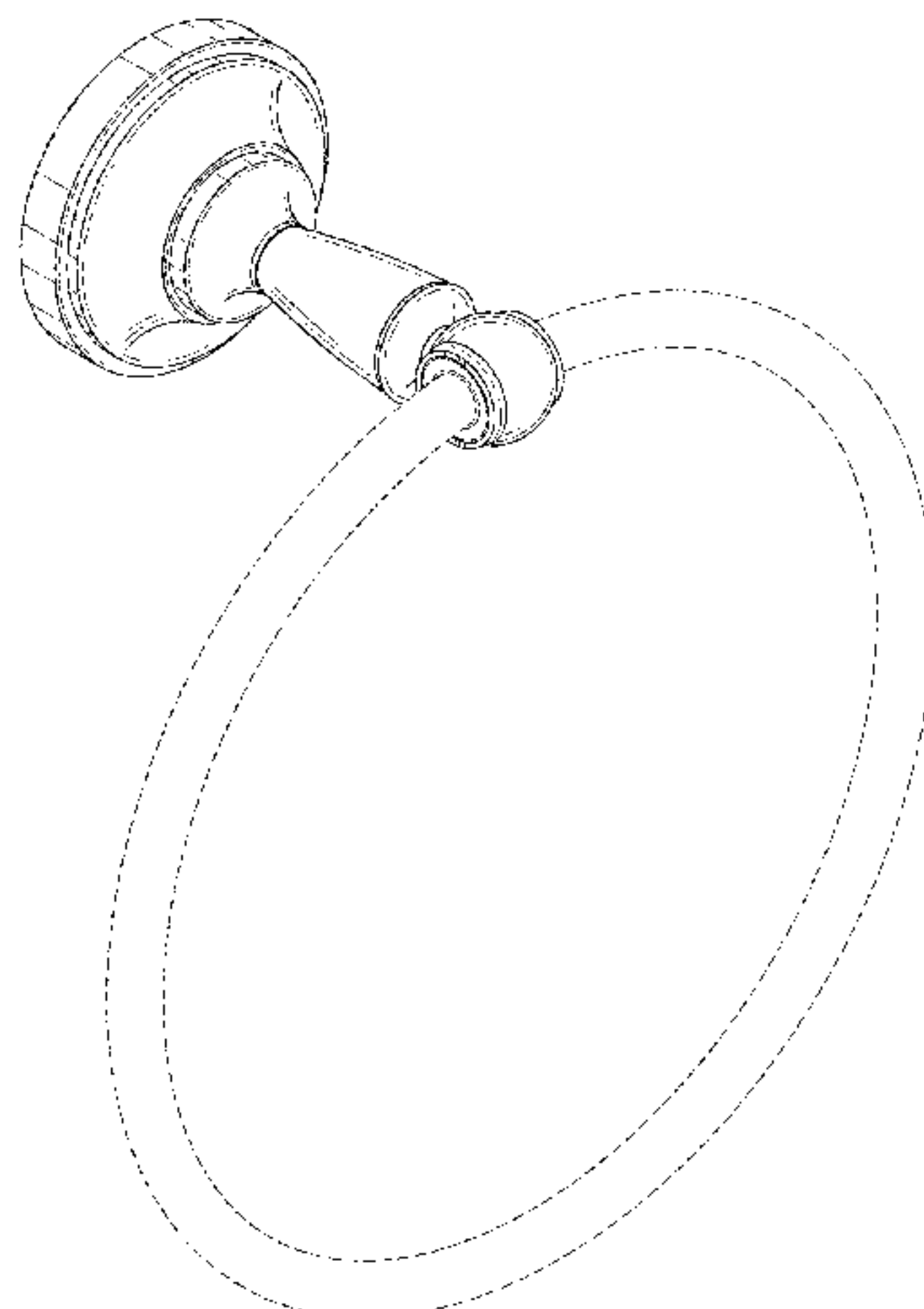
(57) **CLAIM**

The ornamental design for a support bracket, as shown and described.

**DESCRIPTION**

FIG. 1 is a top, front, and left side perspective view of a support bracket showing my new design;  
FIG. 2 is a front elevation view thereof;  
FIG. 3 is a top plan view thereof, the bottom being a mirror image of that shown;  
FIG. 4 is a left side elevation view thereof, the right side being a mirror image of that shown;  
FIG. 5 is an additional top, front, and left side perspective view of a first embodiment thereof, with the broken-line disclosure of a towel ring being for illustrative purposes only and forming no part of the claimed design;  
FIG. 6 is an additional top, front, and left side perspective view of a second embodiment thereof, with the broken-line disclosure of a towel bar being for illustrative purposes only and forming no part of the claimed design;  
FIG. 7 is an additional top, front, and left side perspective view of a third embodiment thereof, with the broken-line disclosure of a tissue holder being for illustrative purposes only and forming no part of the claimed design;  
FIG. 8 is an additional top, front, and left side perspective view of a fourth embodiment thereof, with the broken-line disclosure of a double towel bar being for illustrative purposes only and forming no part of the claimed design;  
FIG. 9 is an additional top, front, and left side perspective view of a fifth embodiment thereof, with the broken-line disclosure of a tilting wall mirror being for illustrative purposes only and forming no part of the claimed design; and,  
FIG. 10 is an additional top, front, and left side perspective view of a sixth embodiment thereof, with the broken-line disclosure of a glass shelf being for illustrative purposes only and forming no part of the claimed design.

**1 Claim, 7 Drawing Sheets**



(56)

**References Cited**

U.S. PATENT DOCUMENTS

D520,284 S *	5/2006	Gilbert .....	D6/550	D586,199 S	2/2009	Gifford	
D529,323 S	10/2006	Gilbert		D600,960 S	9/2009	Krumpe	
D537,668 S *	3/2007	Murray .....	D6/550	D609,515 S *	2/2010	Krumpe .....	D6/550
D547,165 S *	7/2007	Barrese .....	D8/380	D658,746 S	5/2012	Obara et al.	
				D680,784 S *	4/2013	Chang .....	D6/550
				D700,452 S *	3/2014	Sale, Jr. ....	D6/550

\* cited by examiner

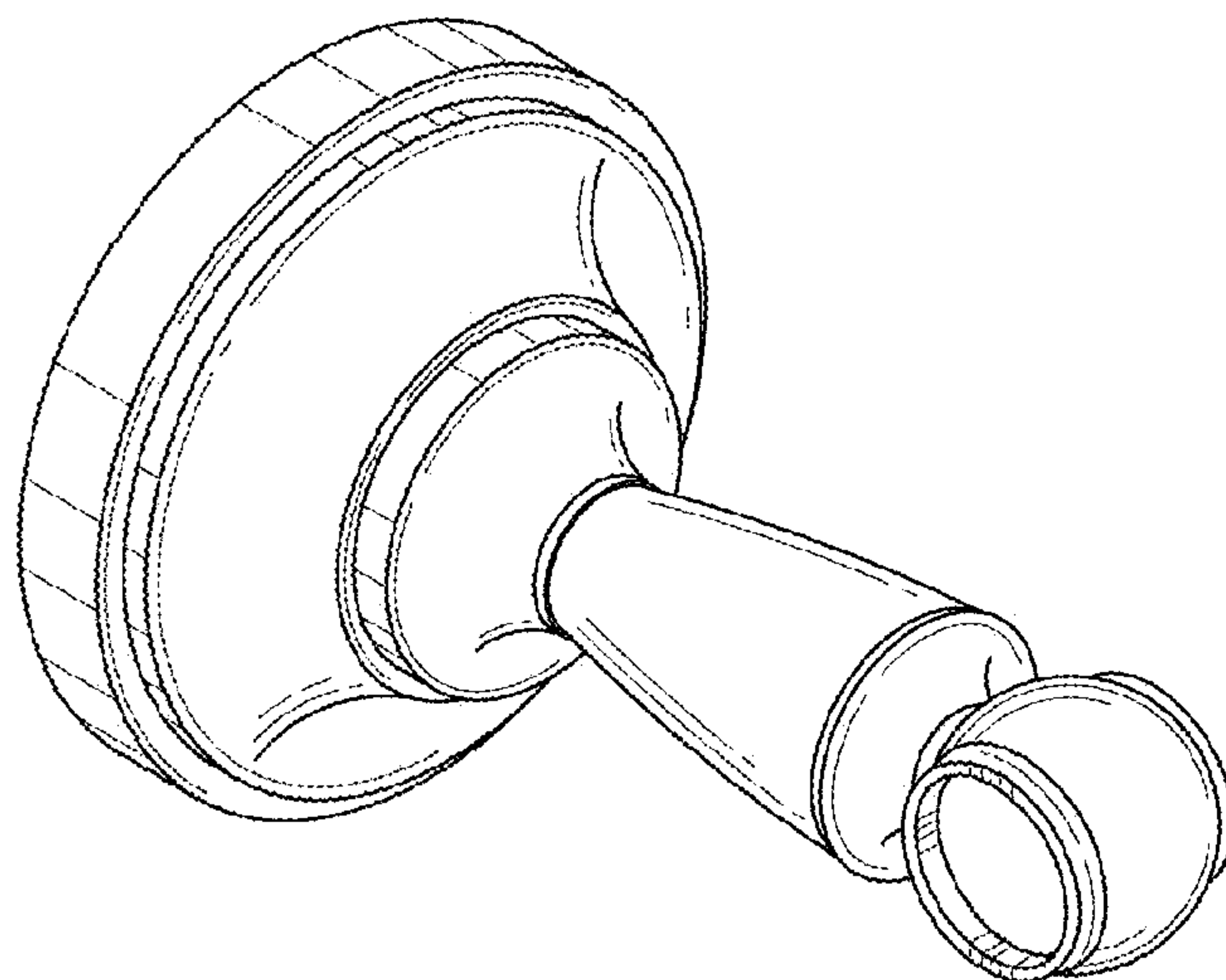


FIG. 1

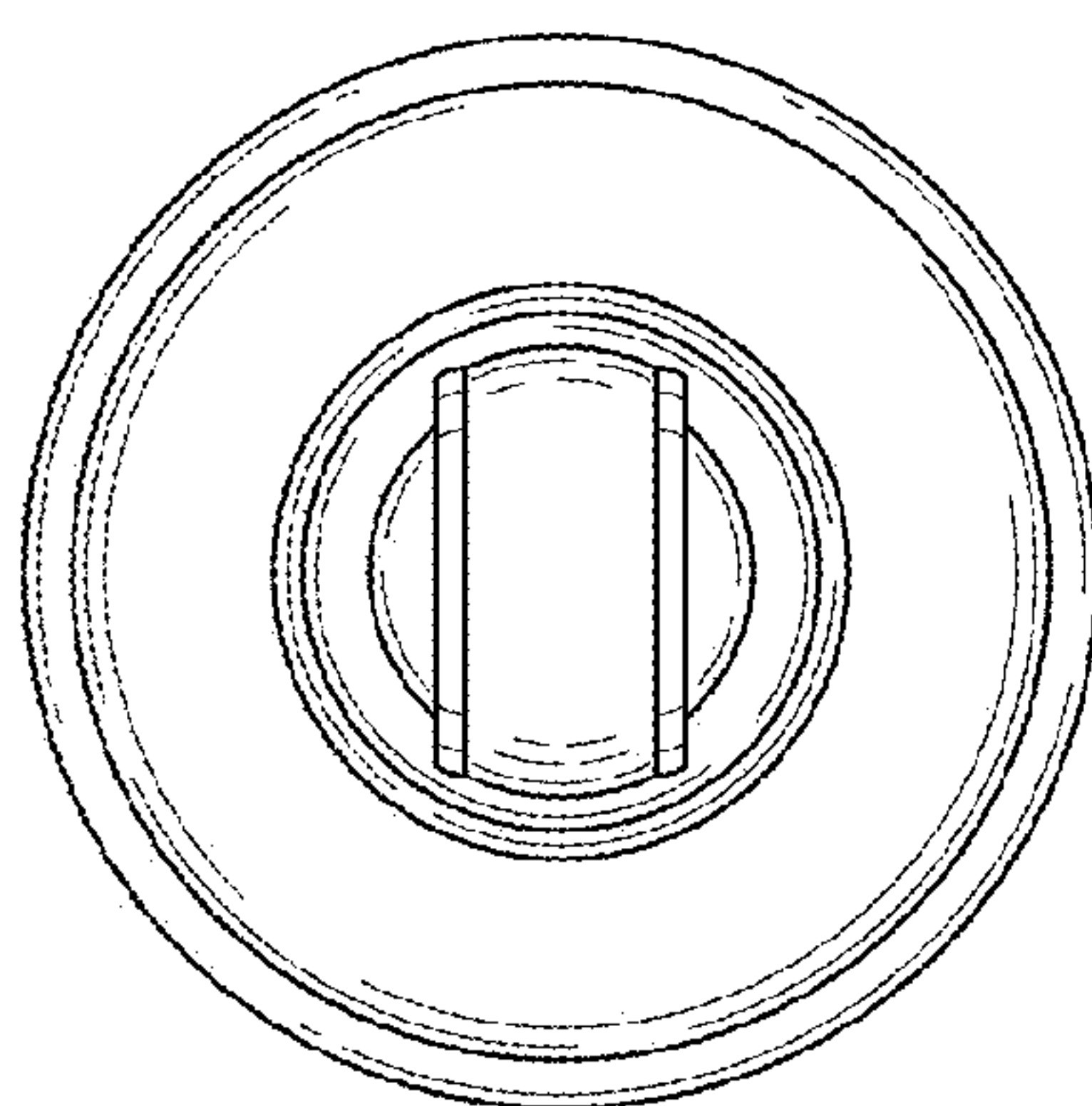


FIG. 2

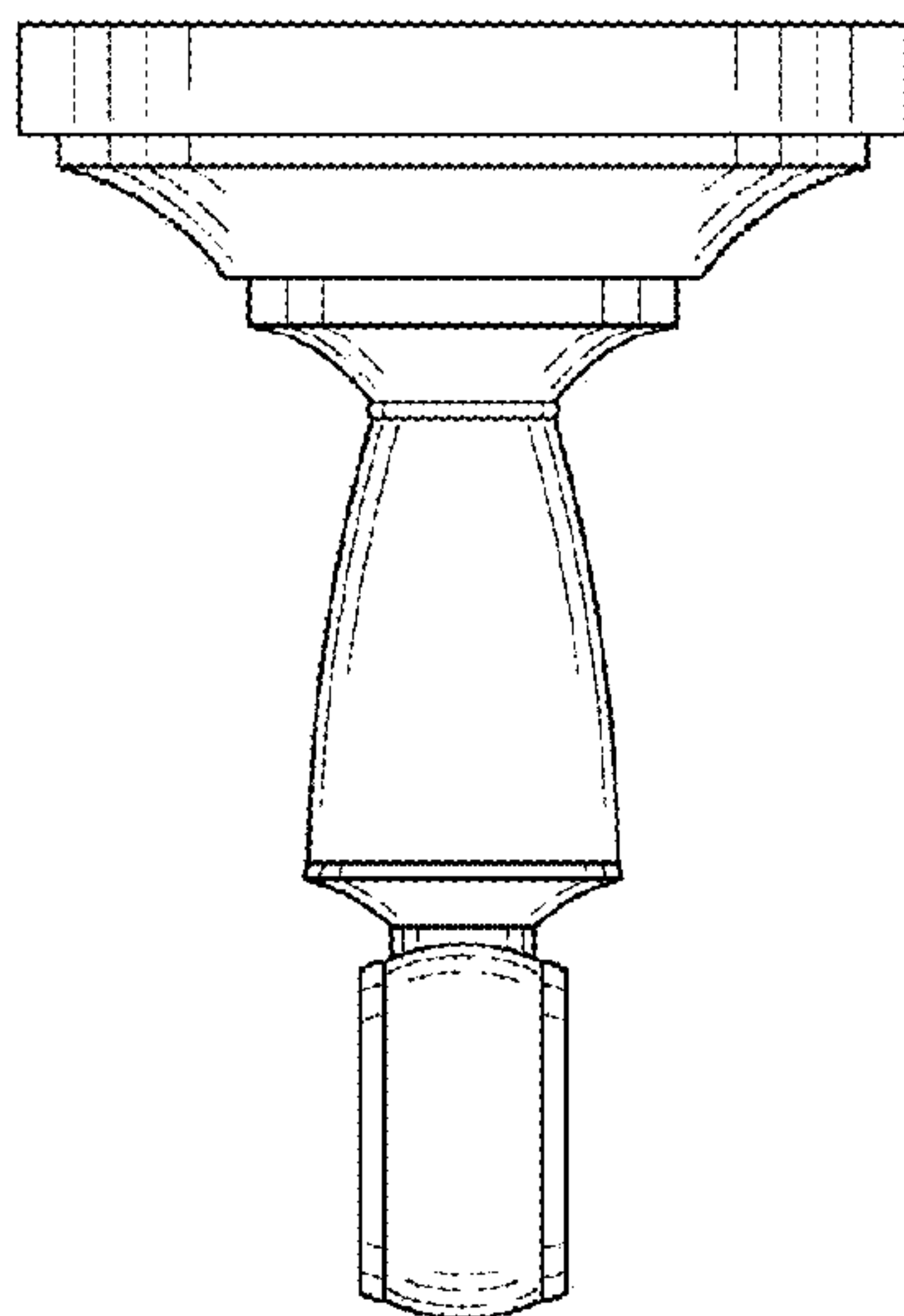


FIG. 3

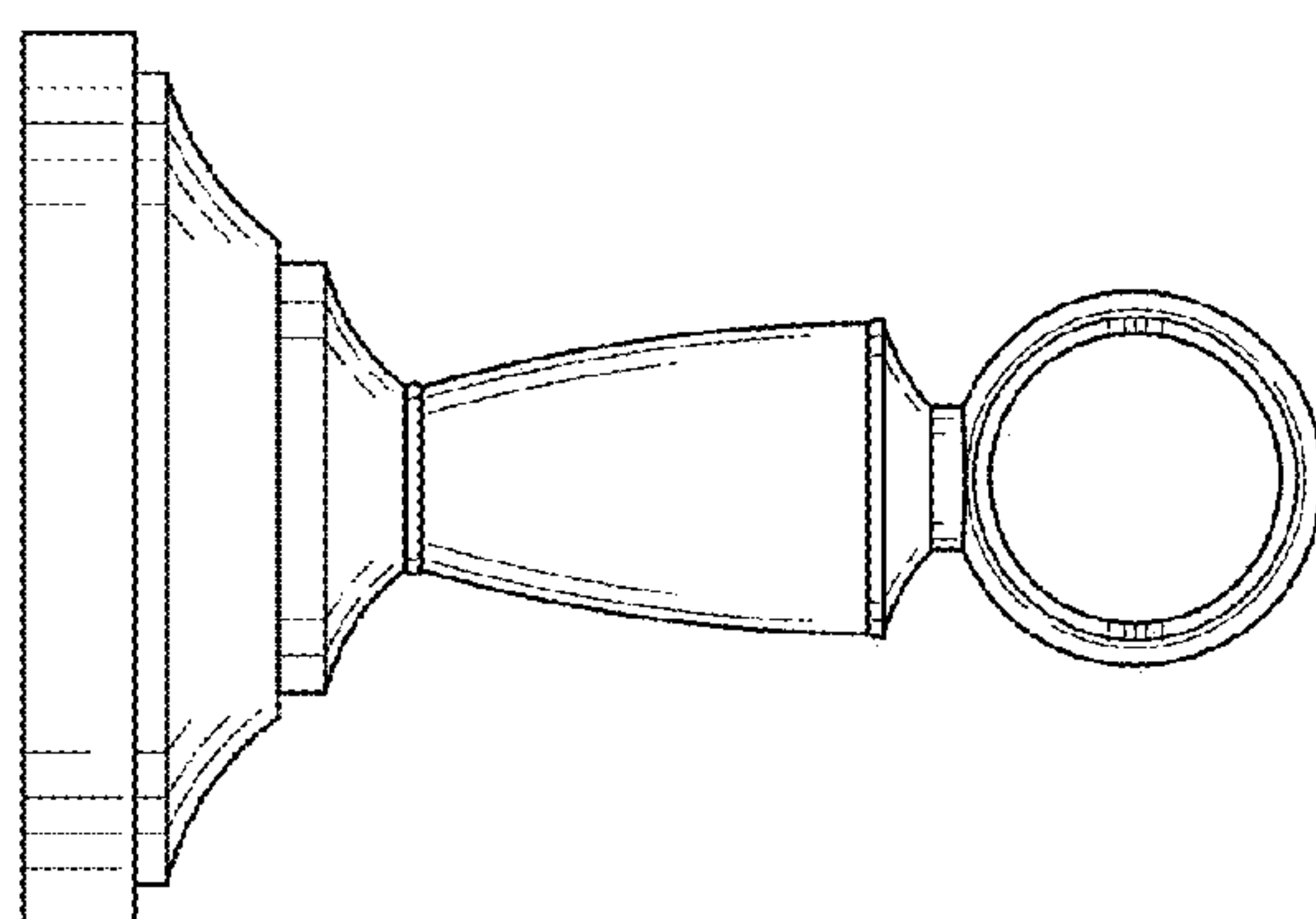


FIG. 4

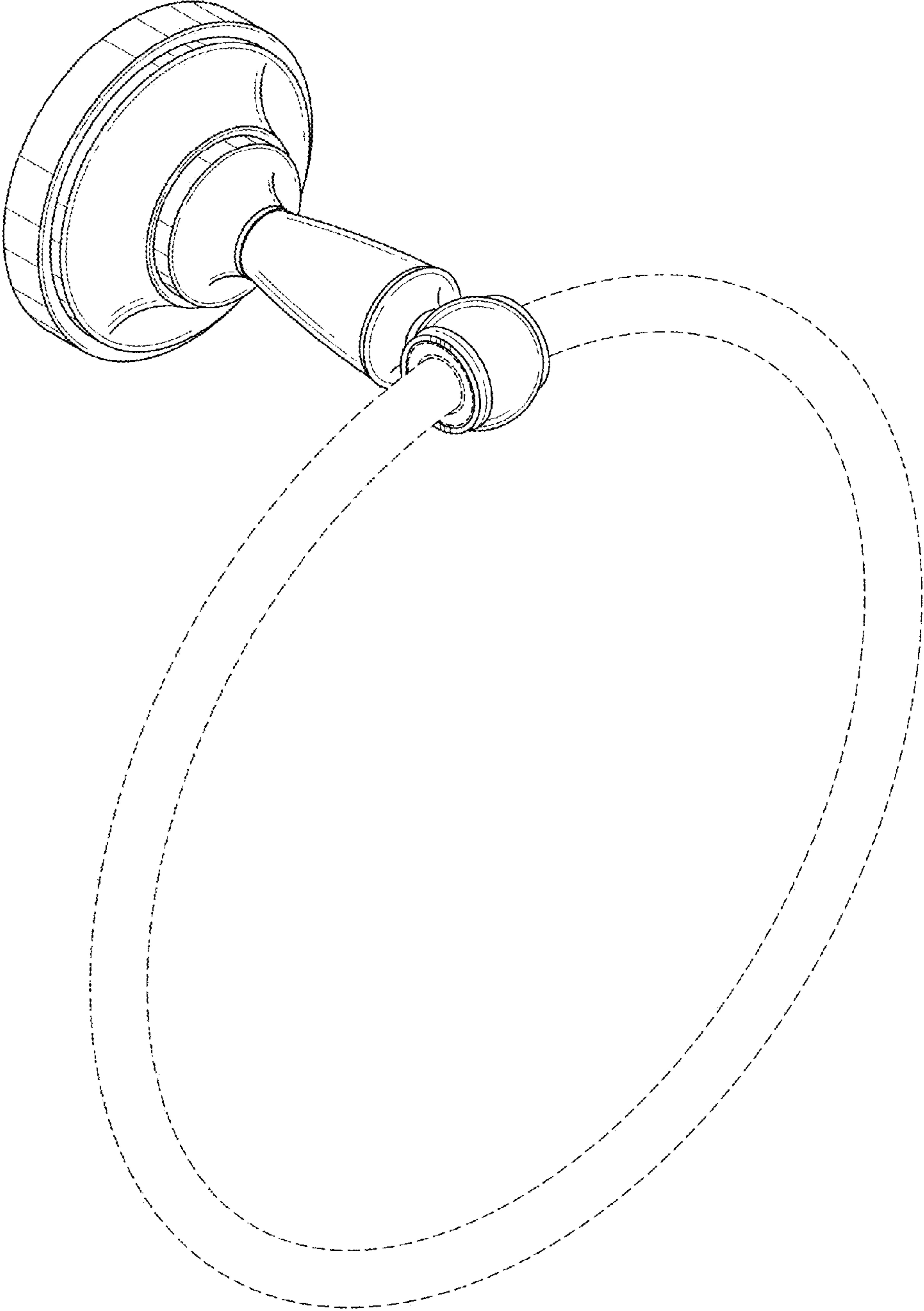


FIG. 5



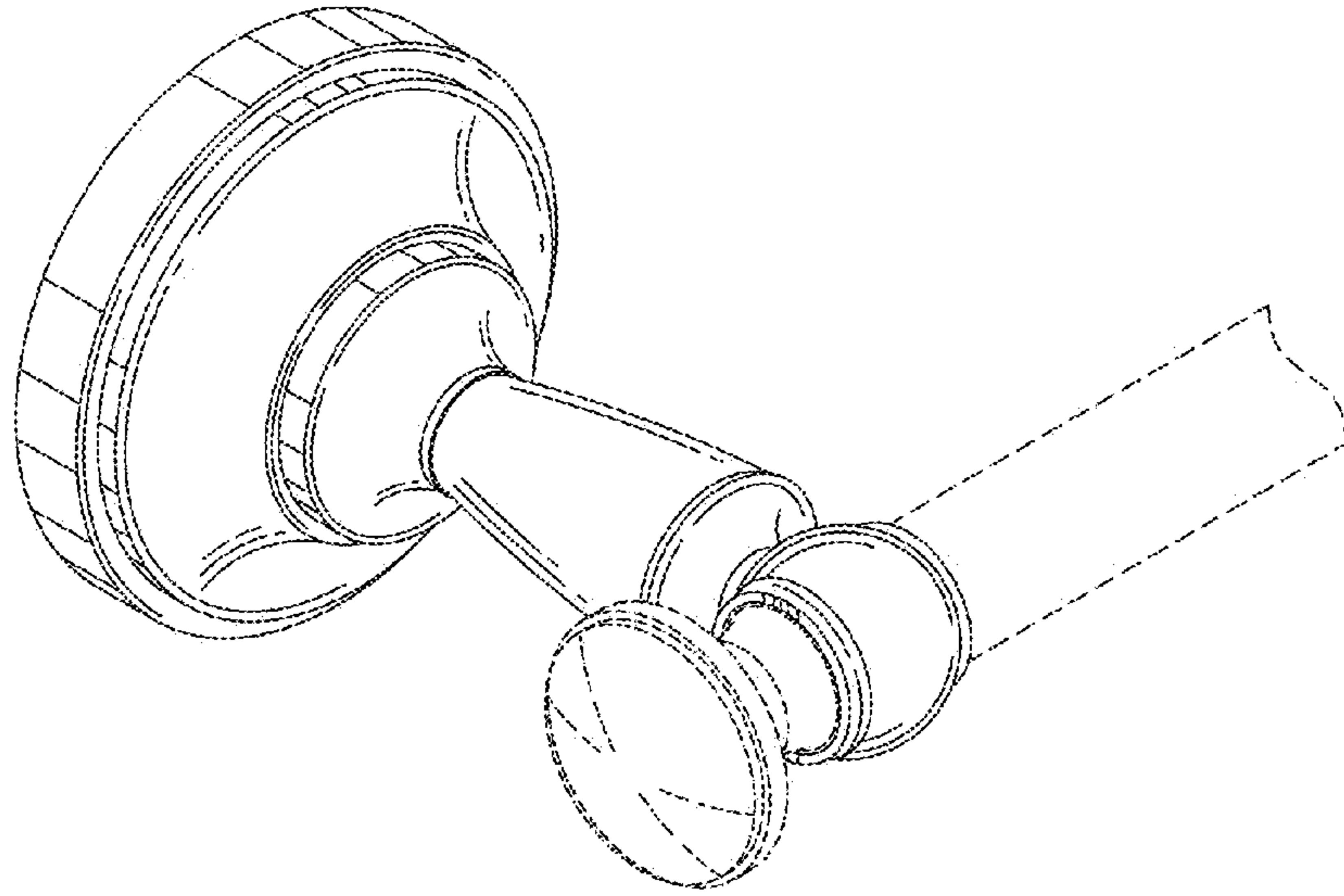


FIG. 6

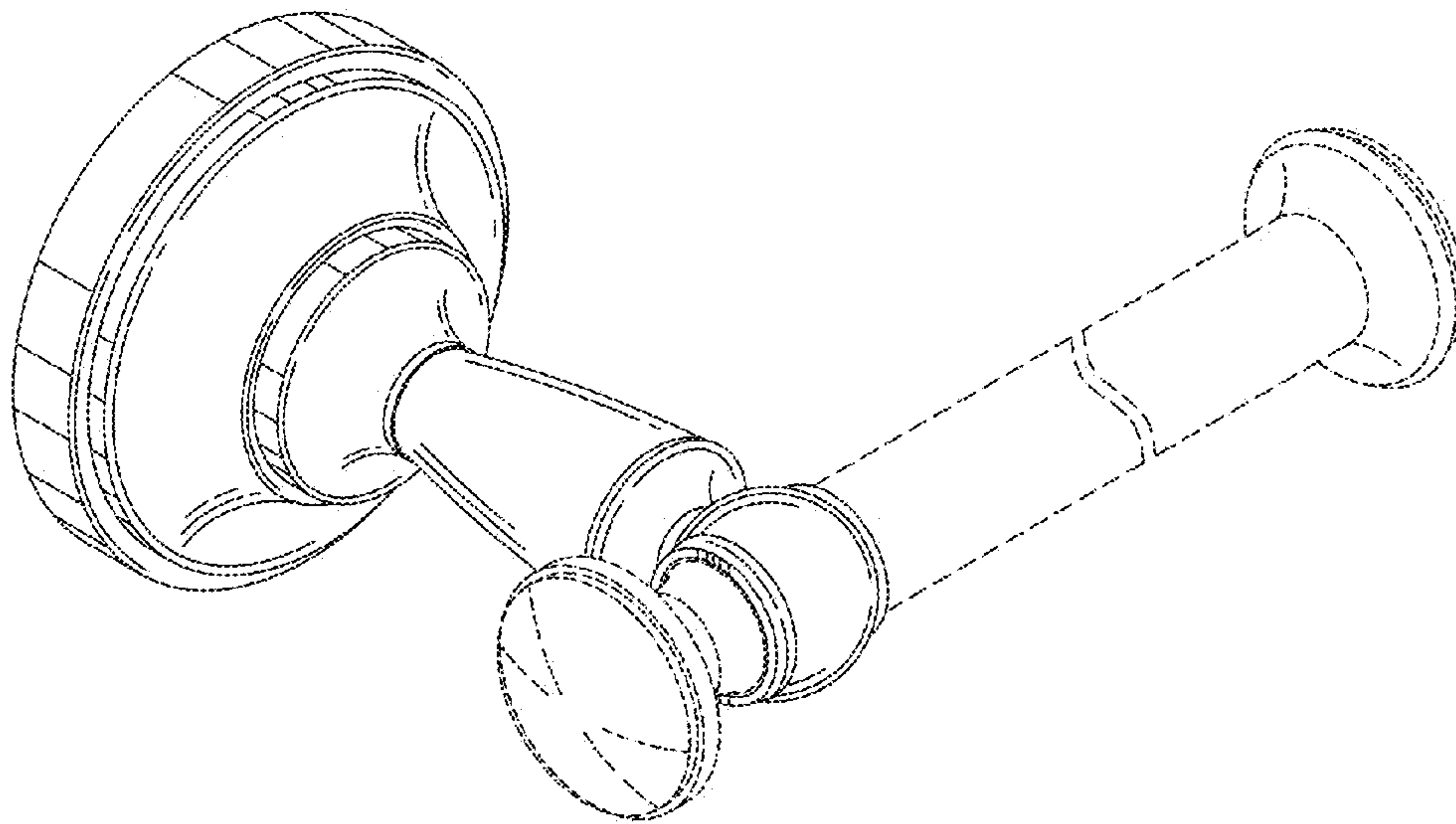


FIG. 7

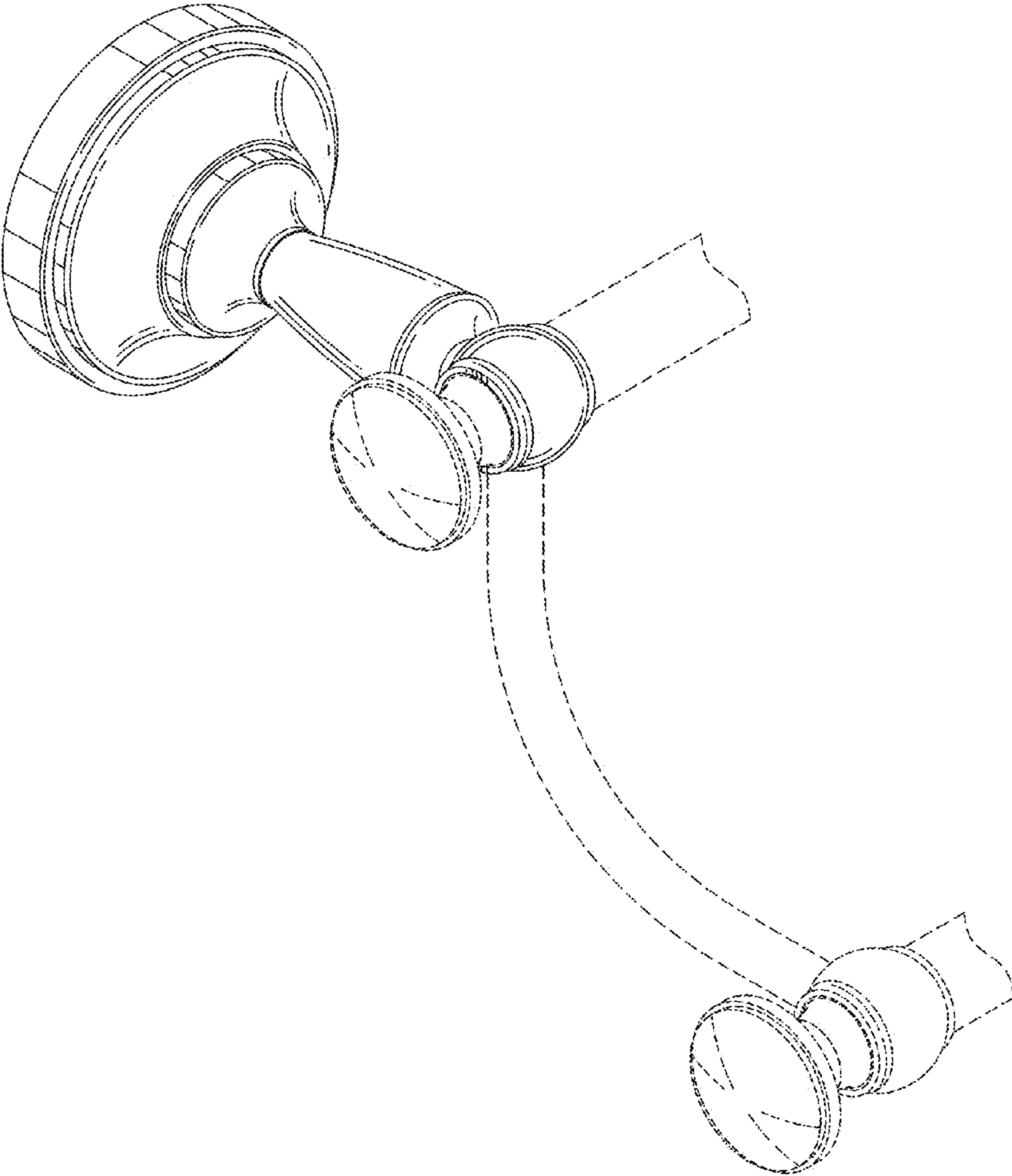


FIG. 8

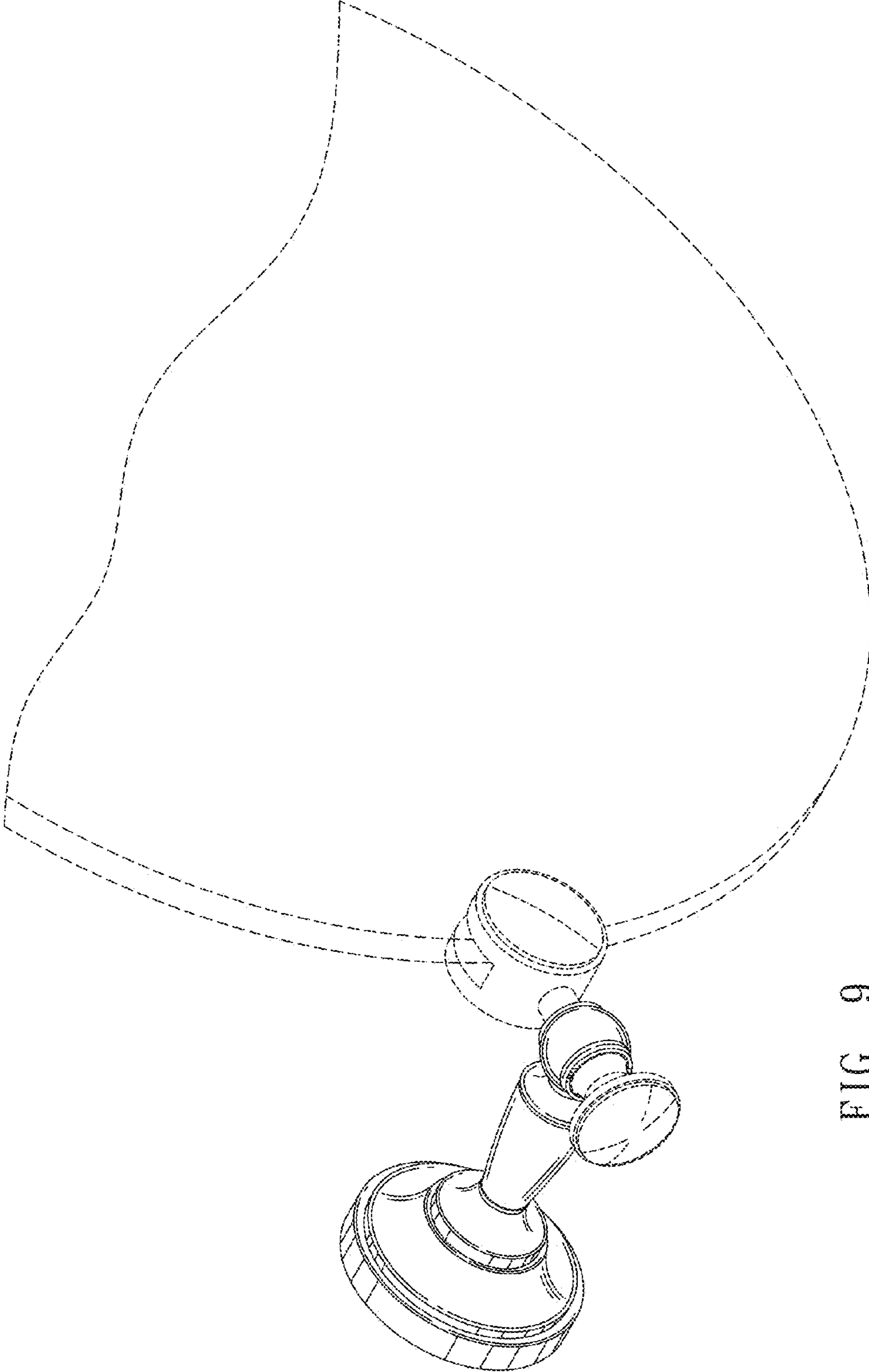


FIG. 9



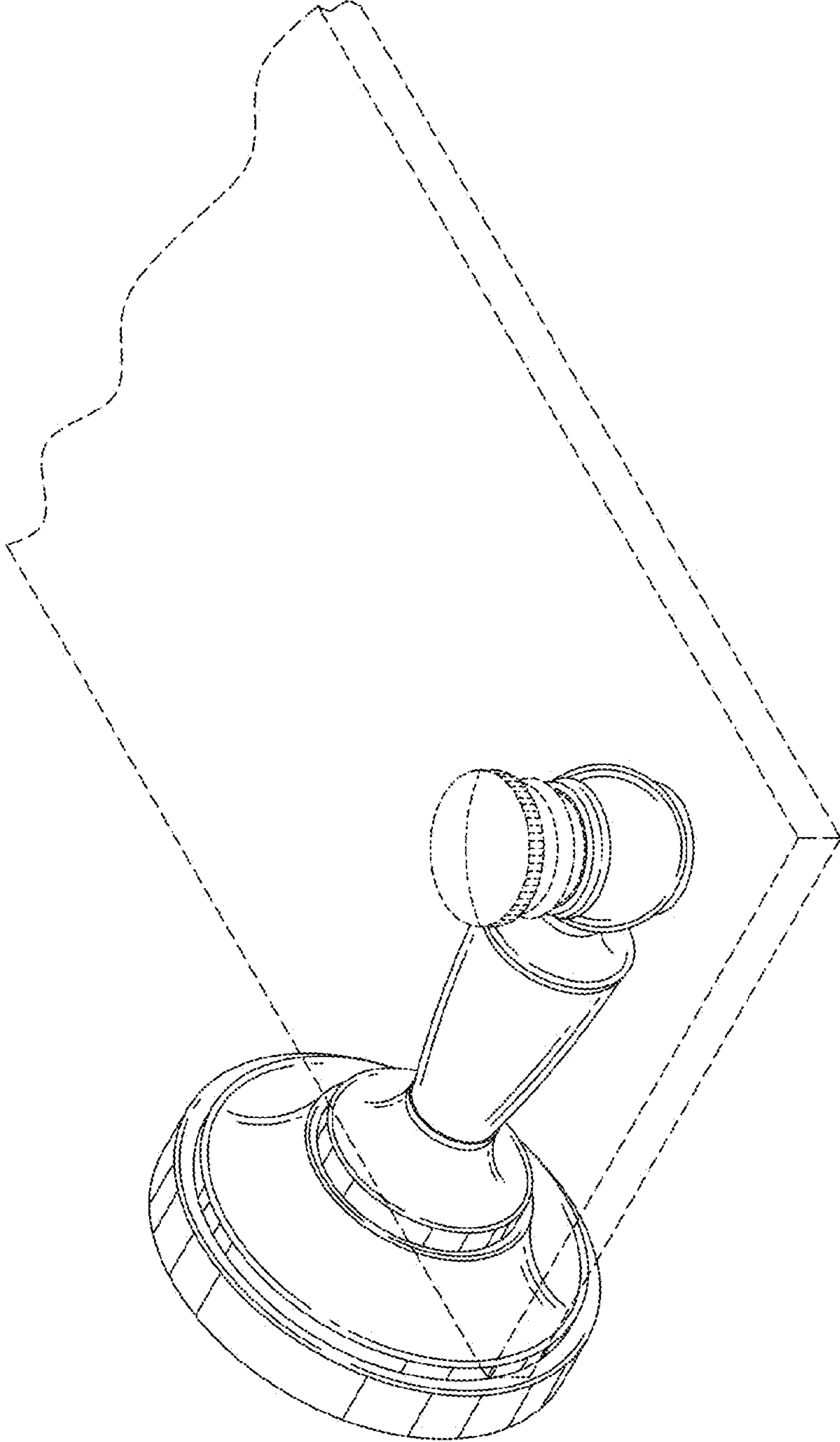


FIG. 10