



US00D732935S

(12) **United States Design Patent**  
**Egami**

(10) **Patent No.:** **US D732,935 S**  
(45) **Date of Patent:** **\*\* Jun. 30, 2015**

- (54) **ELECTRIC WIRE HOLDER**
- (71) Applicant: **Hitachi Metals, Ltd.**, Tokyo (JP)
- (72) Inventor: **Kenichi Egami**, Kitaibaraki (JP)
- (73) Assignee: **Hitachi Metals, Ltd.**, Tokyo (JP)
- (\*\*) Term: **14 Years**
- (21) Appl. No.: **29/492,128**
- (22) Filed: **May 28, 2014**

D488,054	S	*	4/2004	Myers	.....	D8/356
H2203	H	*	10/2007	Borchardt et al.	.....	D8/396
D638,690	S	*	5/2011	Hoek	.....	D8/356
D638,691	S	*	5/2011	Hoek	.....	D8/356
D638,692	S	*	5/2011	Hoek	.....	D8/356
D676,310	S	*	2/2013	Lowrance	.....	D8/356
D691,875	S	*	10/2013	Ganski	.....	D8/356
D691,878	S	*	10/2013	Ganski	.....	D8/356
D702,532	S	*	4/2014	Garrido et al.	.....	D8/354
8,900,196	B2	*	12/2014	Andino	.....	604/174
D720,606	S	*	1/2015	Mathews et al.	.....	D8/356
2003/0132352	A1	*	7/2003	Weaver	.....	248/68.1
2005/0189453	A1	*	9/2005	DeGuevara	.....	248/68.1
2010/0132979	A1	*	6/2010	Chen	.....	174/135

\* cited by examiner

- (30) **Foreign Application Priority Data**
- Nov. 29, 2013 (JP) ..... 2013-028025
- (51) **LOC (10) Cl.** ..... **08-05**
- (52) **U.S. Cl.**
- USPC ..... **D8/356**
- (58) **Field of Classification Search**
- USPC ..... D8/367, 354, 349, 373, 372, 371, 356,  
D8/353; D6/323; 248/301, 302, 303, 304,  
248/339, 205.3, 544; 294/209, 24, 2, 210,  
294/211; 403/53, 91, 97; 604/179
- CPC ..... F16B 2/00; A63B 27/00
- See application file for complete search history.

*Primary Examiner* — Cynthia Underwood  
(74) *Attorney, Agent, or Firm* — McGinn IP Law Group, PLLC

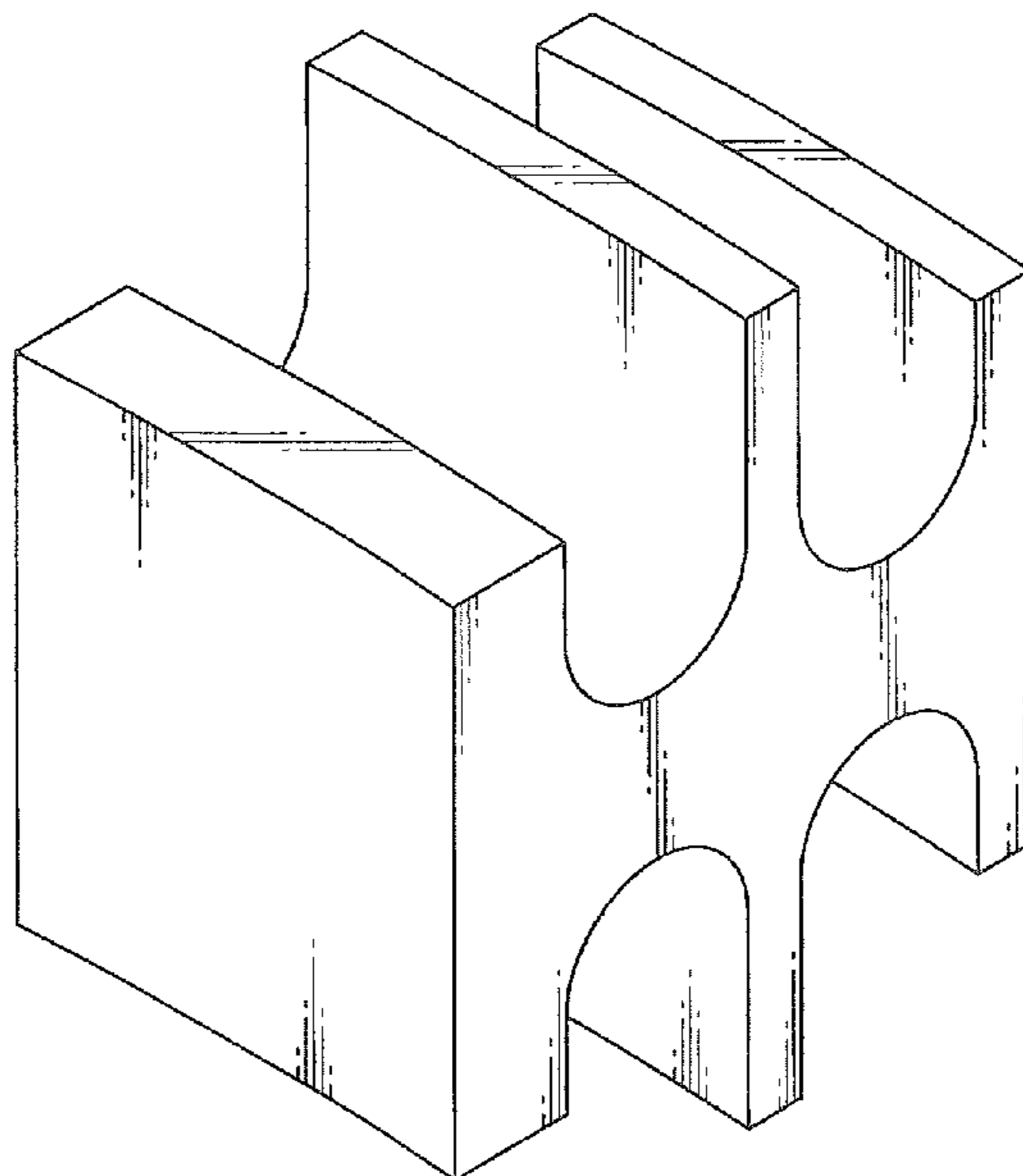
(57) **CLAIM**  
The ornamental design for an electric wire holder, substantially as shown and described.

**DESCRIPTION**

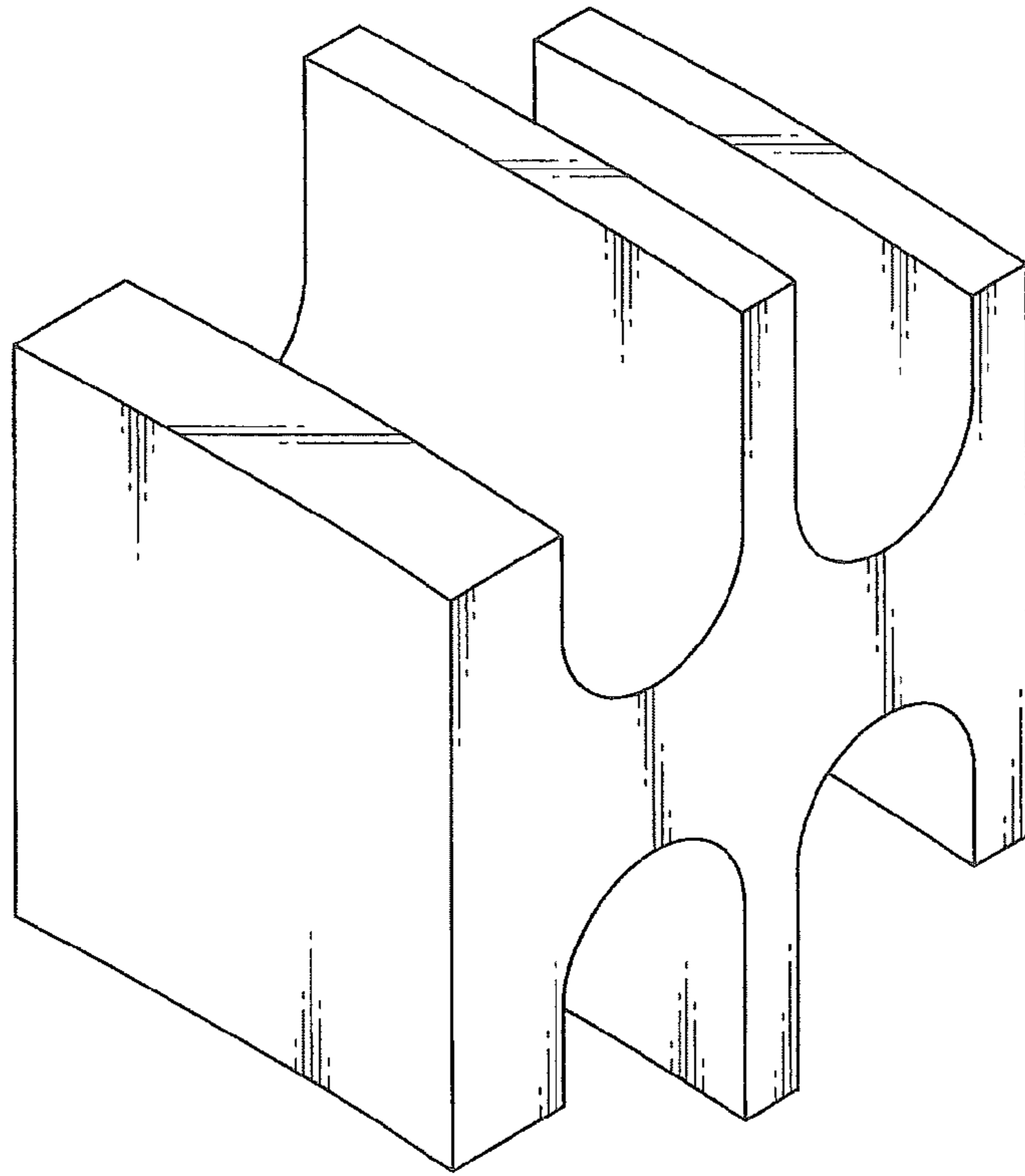
FIG. 1 is a perspective view of the electric wire holder embodying my new design;  
FIG. 2 is a front view thereof;  
FIG. 3 is a back view thereof;  
FIG. 4 is a plan view thereof;  
FIG. 5 is a bottom view thereof;  
FIG. 6 is a right side view thereof;  
FIG. 7 is a left side view thereof; and,  
FIG. 8 is a front view of FIG. 1 illustrating the electric wire holder in an environment of use.  
The broken lines represent an environment of use and form no part of the claim.

- (56) **References Cited**
- U.S. PATENT DOCUMENTS
- 4,114,241 A \* 9/1978 Bisping ..... 403/188
- 4,971,271 A \* 11/1990 Sularz ..... 248/68.1
- 5,316,246 A \* 5/1994 Scott et al. .... 248/68.1
- 5,992,802 A \* 11/1999 Campbell ..... 248/68.1
- 6,227,502 B1 \* 5/2001 Derman ..... 248/74.4
- 6,360,051 B1 \* 3/2002 Daoud ..... 385/137
- D485,161 S \* 1/2004 Hutchinson ..... D8/383

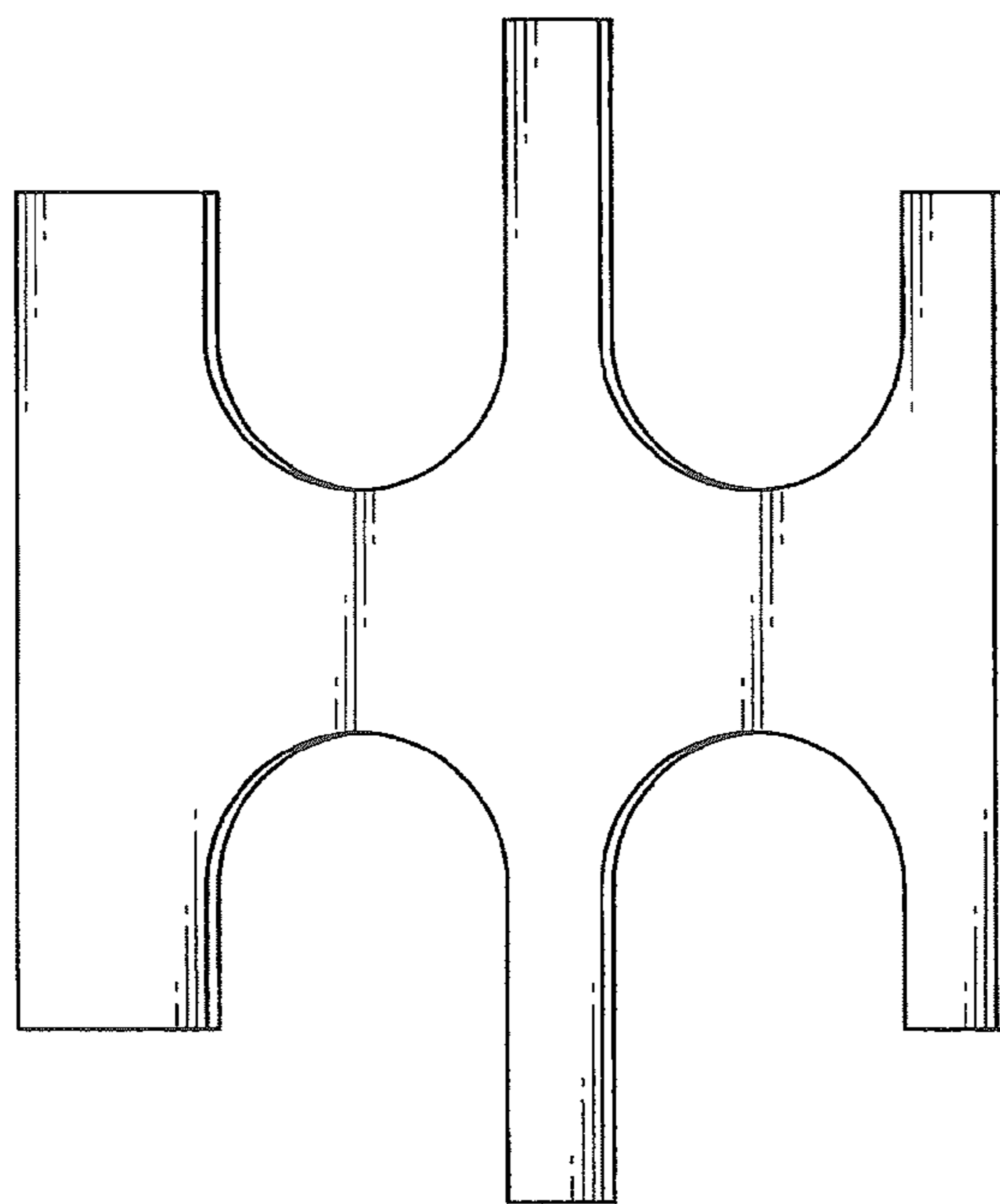
**1 Claim, 4 Drawing Sheets**



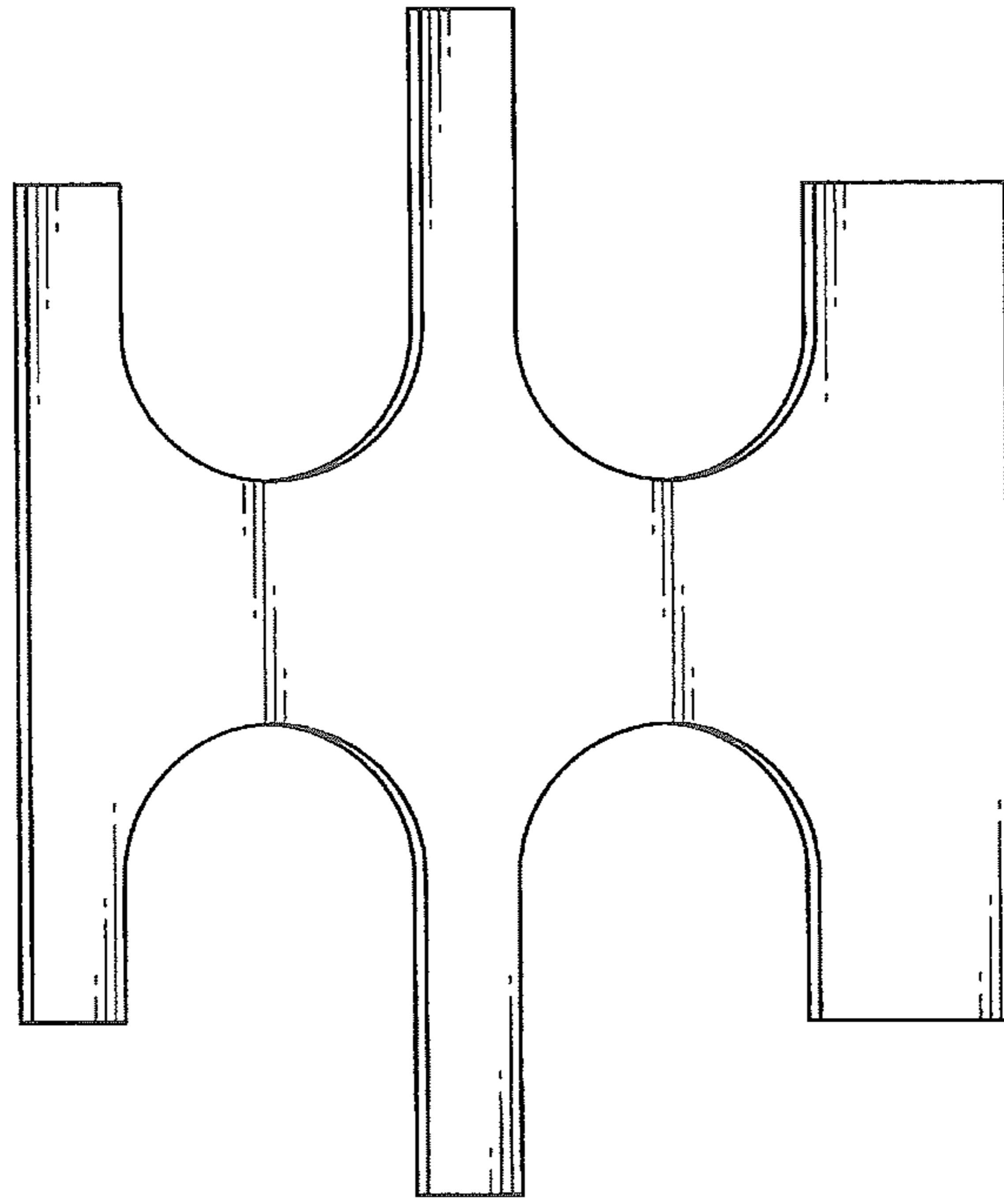
*FIG. 1*



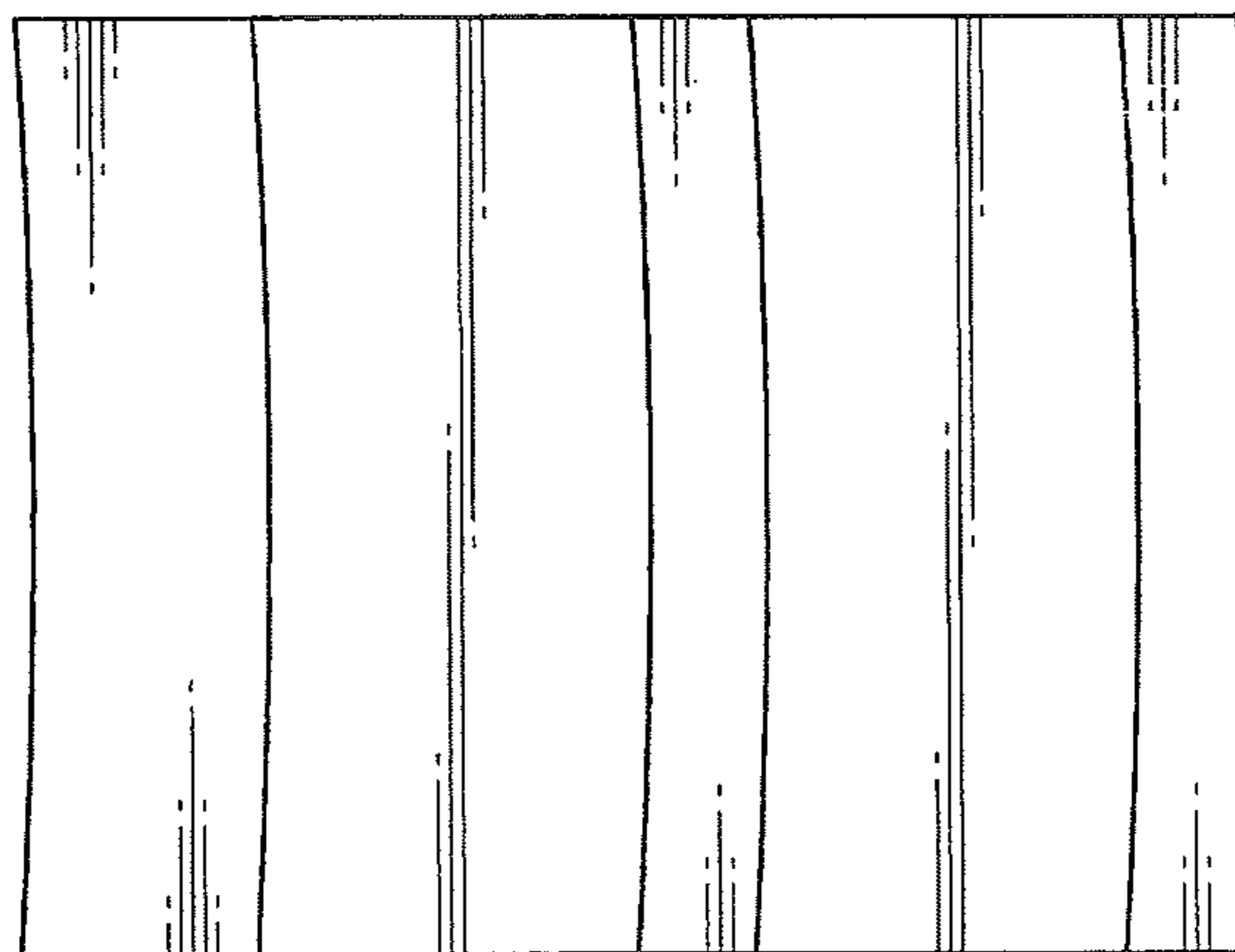
*FIG. 2*



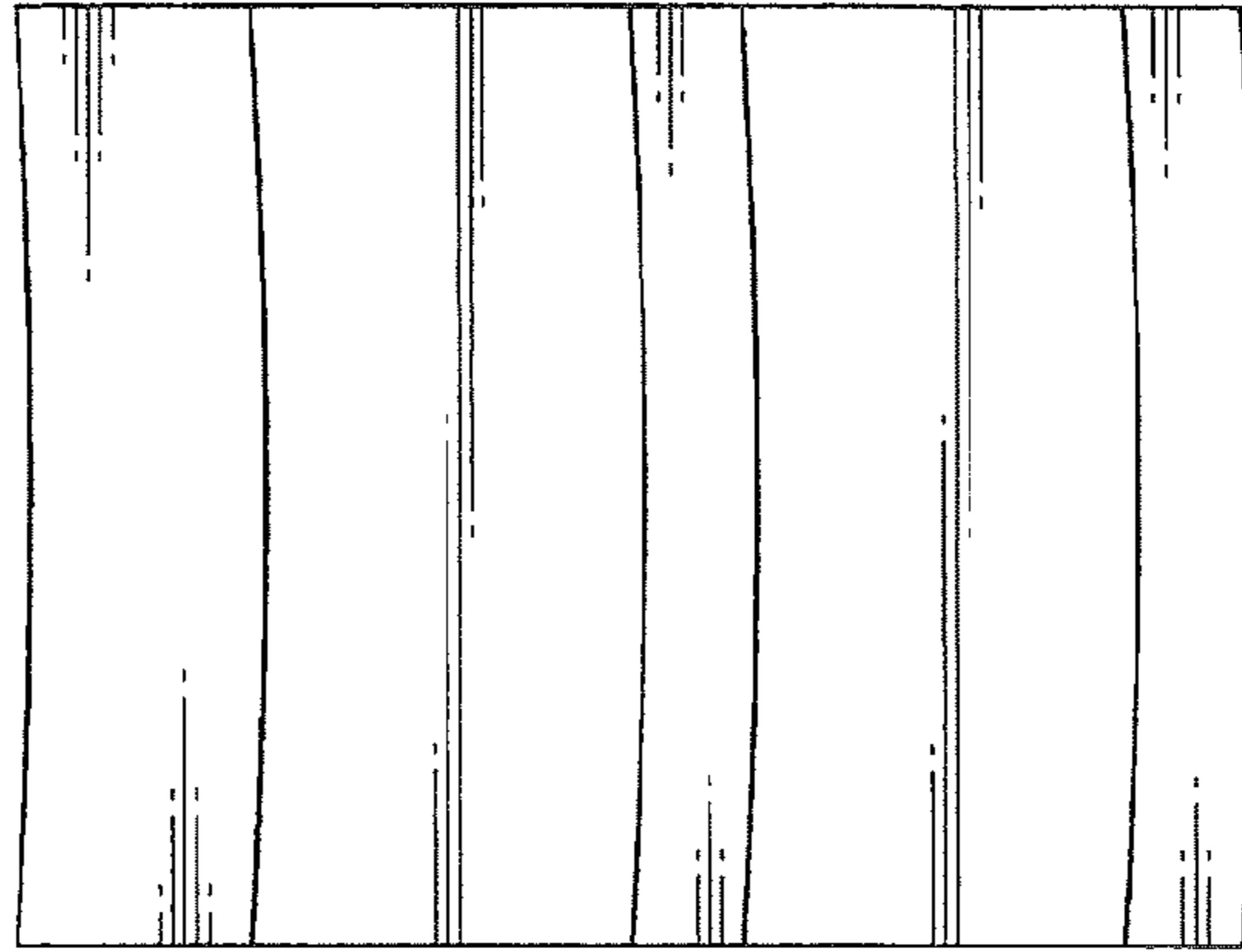
*FIG.3*



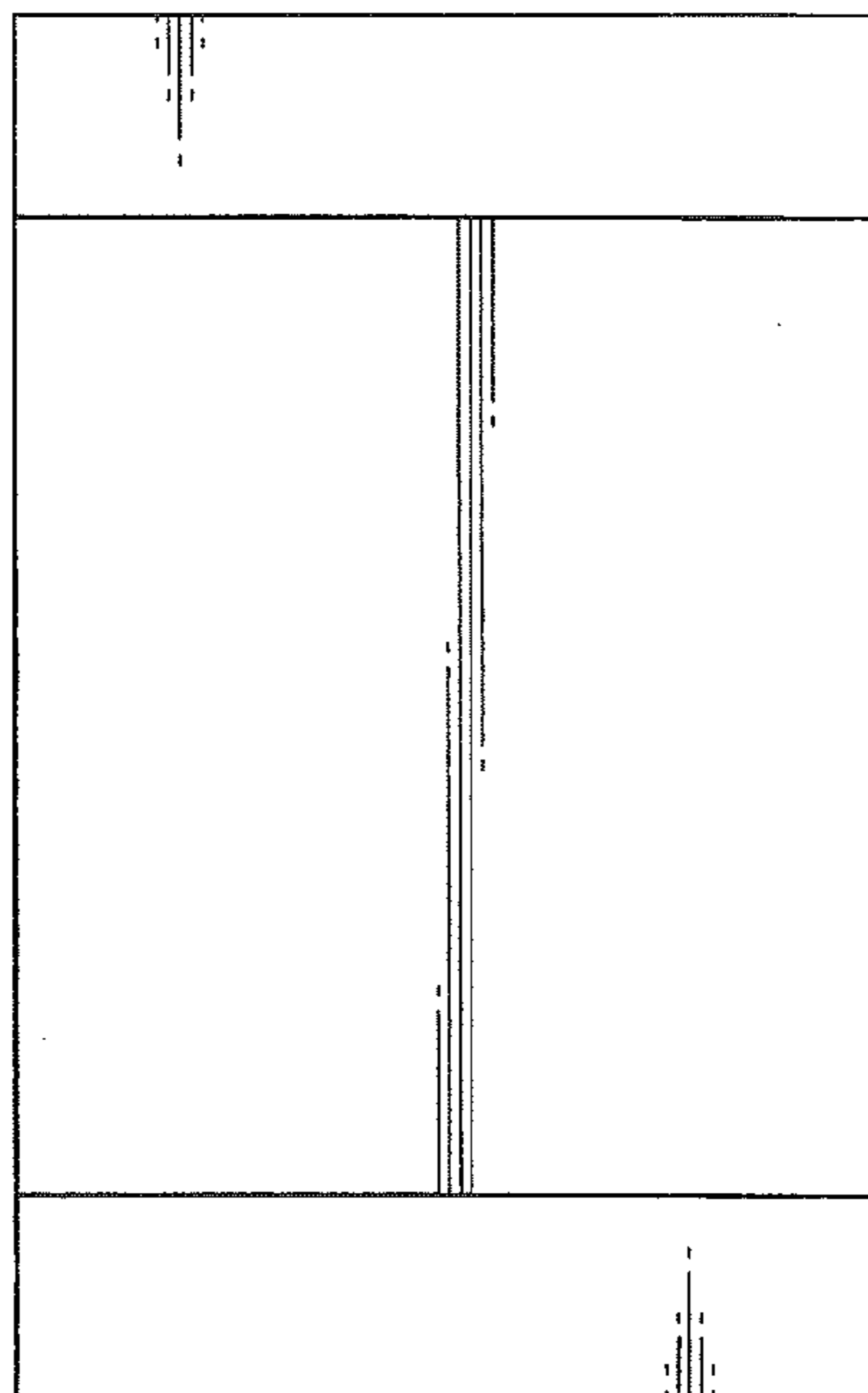
*FIG.4*



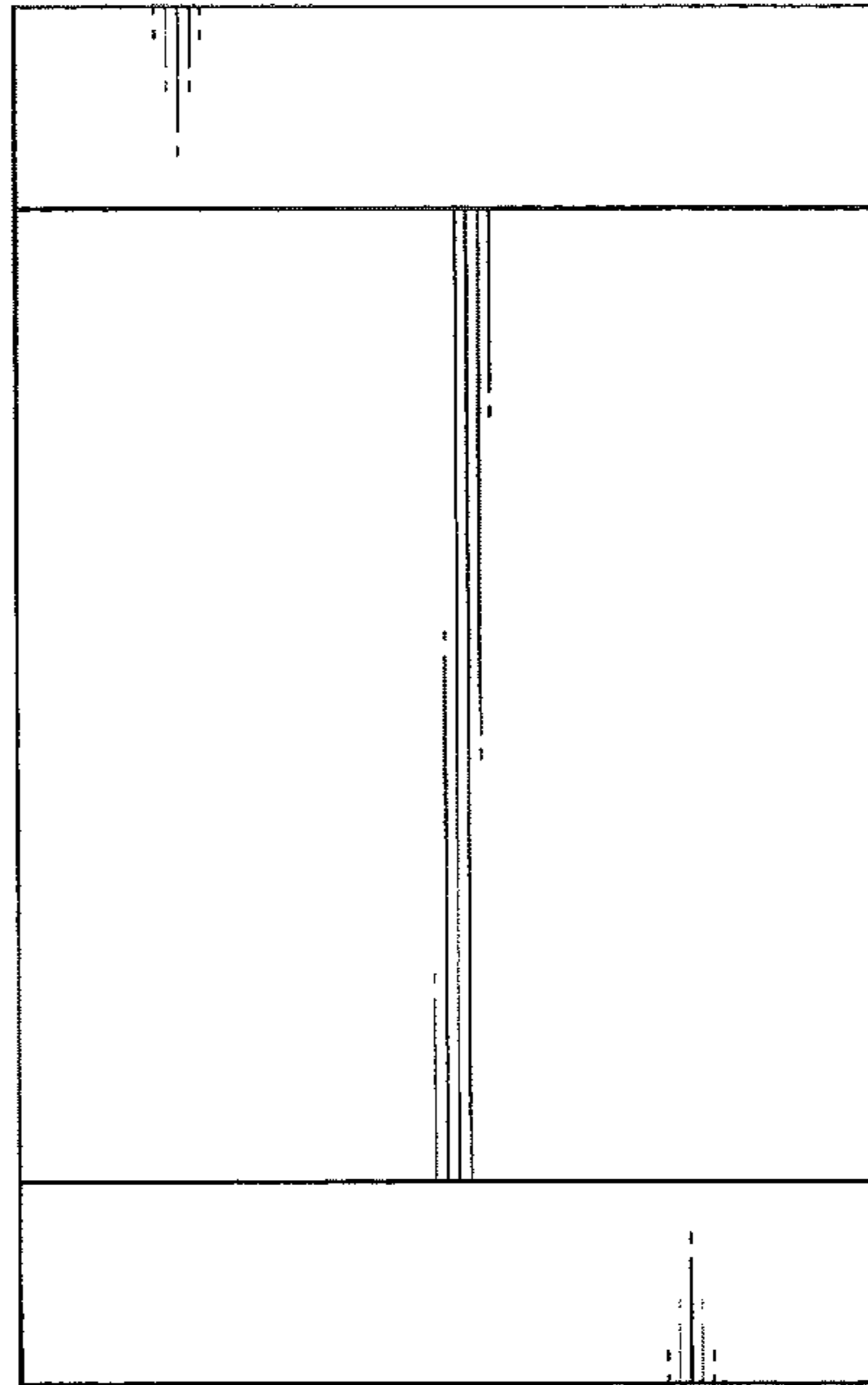
*FIG.5*



*FIG.6*



*FIG.7*



*FIG.8*

