



US00D732934S

(12) **United States Design Patent**
Egami

(10) **Patent No.:** **US D732,934 S**
(45) **Date of Patent:** **** Jun. 30, 2015**

- (54) **ELECTRIC WIRE HOLDER**
- (71) Applicant: **Hitachi Metals, Ltd.**, Tokyo (JP)
- (72) Inventor: **Kenichi Egami**, Kitaibaraki (JP)
- (73) Assignee: **Hitachi Metals, Ltd.**, Tokyo (JP)
- (**) Term: **14 Years**
- (21) Appl. No.: **29/492,126**
- (22) Filed: **May 28, 2014**

D488,054	S	*	4/2004	Myers	D8/356
H2203	H	*	10/2007	Borchardt et al.	D8/396
D638,690	S	*	5/2011	Hoek	D8/356
D638,691	S	*	5/2011	Hoek	D8/356
D638,692	S	*	5/2011	Hoek	D8/356
D676,310	S	*	2/2013	Lowrance	D8/356
D691,875	S	*	10/2013	Ganski	D8/356
D691,878	S	*	10/2013	Ganski	D8/356
D702,532	S	*	4/2014	Garrido et al.	D8/354
8,900,196	B2	*	12/2014	Andino	604/174
D720,606	S	*	1/2015	Mathews et al.	D8/356
2003/0132352	A1	*	7/2003	Weaver	248/68.1
2005/0189453	A1	*	9/2005	DeGuevara	248/68.1
2010/0132979	A1	*	6/2010	Chen	174/135

* cited by examiner

- (30) **Foreign Application Priority Data**
- Nov. 29, 2013 (JP) 2013-028023
- (51) **LOC (10) Cl.** **08-05**
- (52) **U.S. Cl.**
- USPC **D8/356**
- (58) **Field of Classification Search**
- USPC D8/367, 354, 349, 373, 372, 371, 356,
D8/353; D6/323; 248/301, 302, 303, 304,
248/339, 205.3, 544; 294/209, 24, 2, 210,
294/211; 403/53, 91, 97; 604/179
- CPC F16B 2/00; A63B 27/00
- See application file for complete search history.

Primary Examiner — Cynthia Underwood
(74) *Attorney, Agent, or Firm* — McGinn IP Law Group, PLLC

(57) **CLAIM**
The ornamental design for an electric wire holder, substantially as shown and described.

DESCRIPTION

FIG. 1 is a perspective view of the electric wire holder embodying my new design;
FIG. 2 is a front view thereof;
FIG. 3 is a back view thereof;
FIG. 4 is a plan view thereof;
FIG. 5 is a bottom view thereof;
FIG. 6 is a right side view thereof;
FIG. 7 is a left side view thereof; and,
FIG. 8 is a front view of FIG. 1 illustrating the electric wire holder in an environment of use.
The broken lines represent an environment of use and form no part of the claim.

- (56) **References Cited**
- U.S. PATENT DOCUMENTS
- 4,114,241 A * 9/1978 Bisping 403/188
- 4,971,271 A * 11/1990 Sularz 248/68.1
- 5,316,246 A * 5/1994 Scott et al. 248/68.1
- 5,992,802 A * 11/1999 Campbell 248/68.1
- 6,227,502 B1 * 5/2001 Derman 248/74.4
- 6,360,051 B1 * 3/2002 Daoud 385/137
- D485,161 S * 1/2004 Hutchinson D8/383

1 Claim, 4 Drawing Sheets

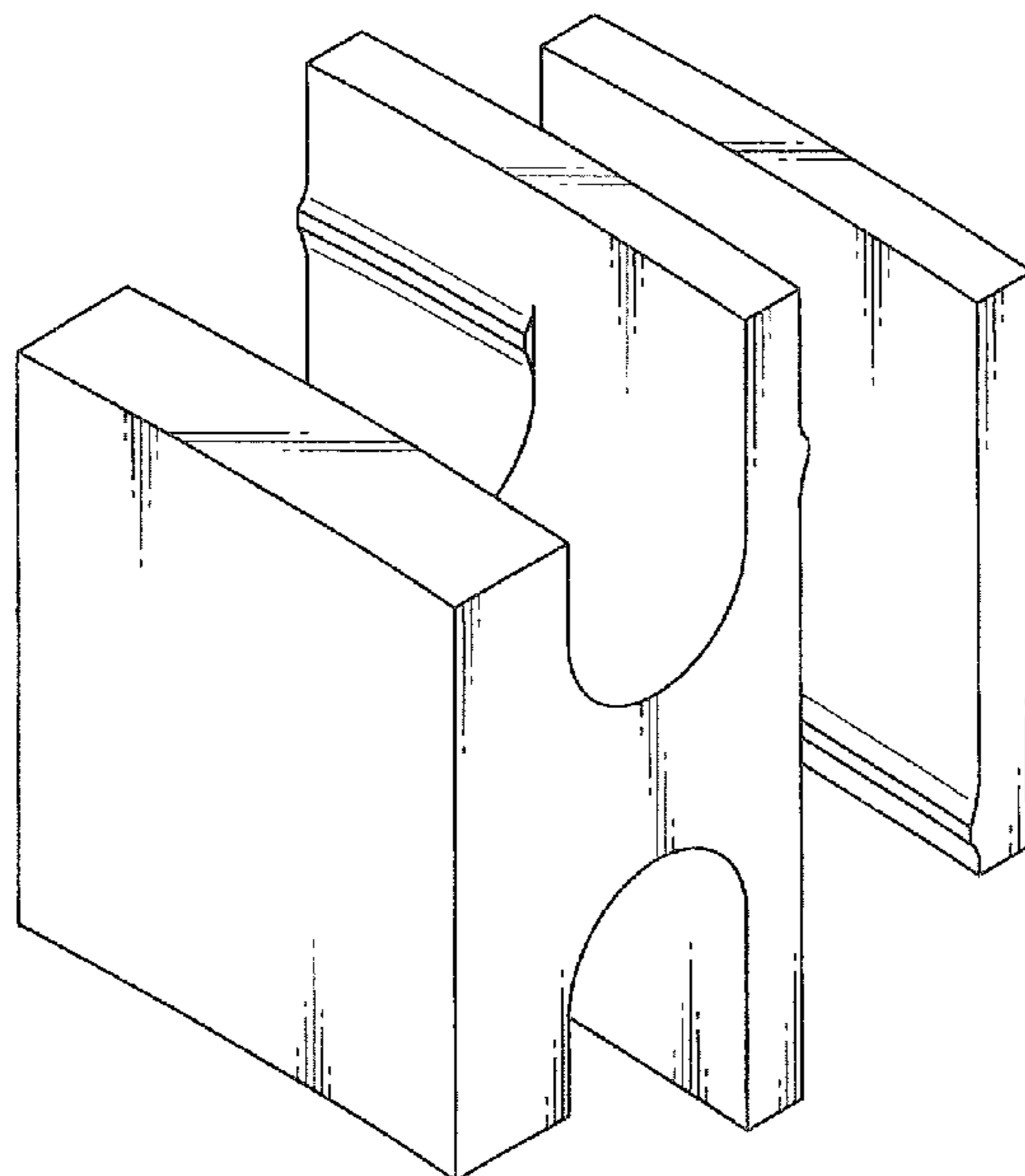


FIG.1

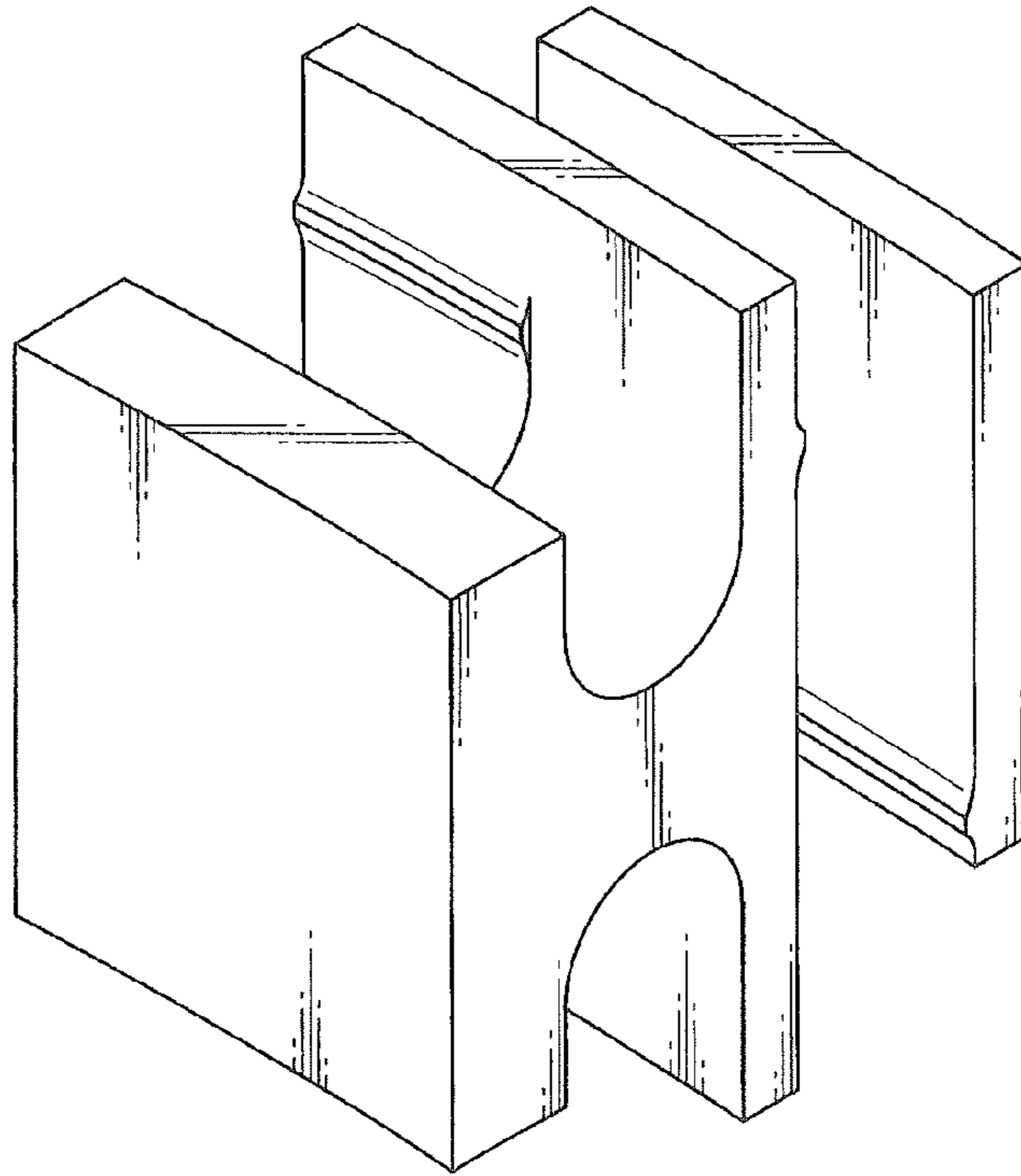


FIG.2

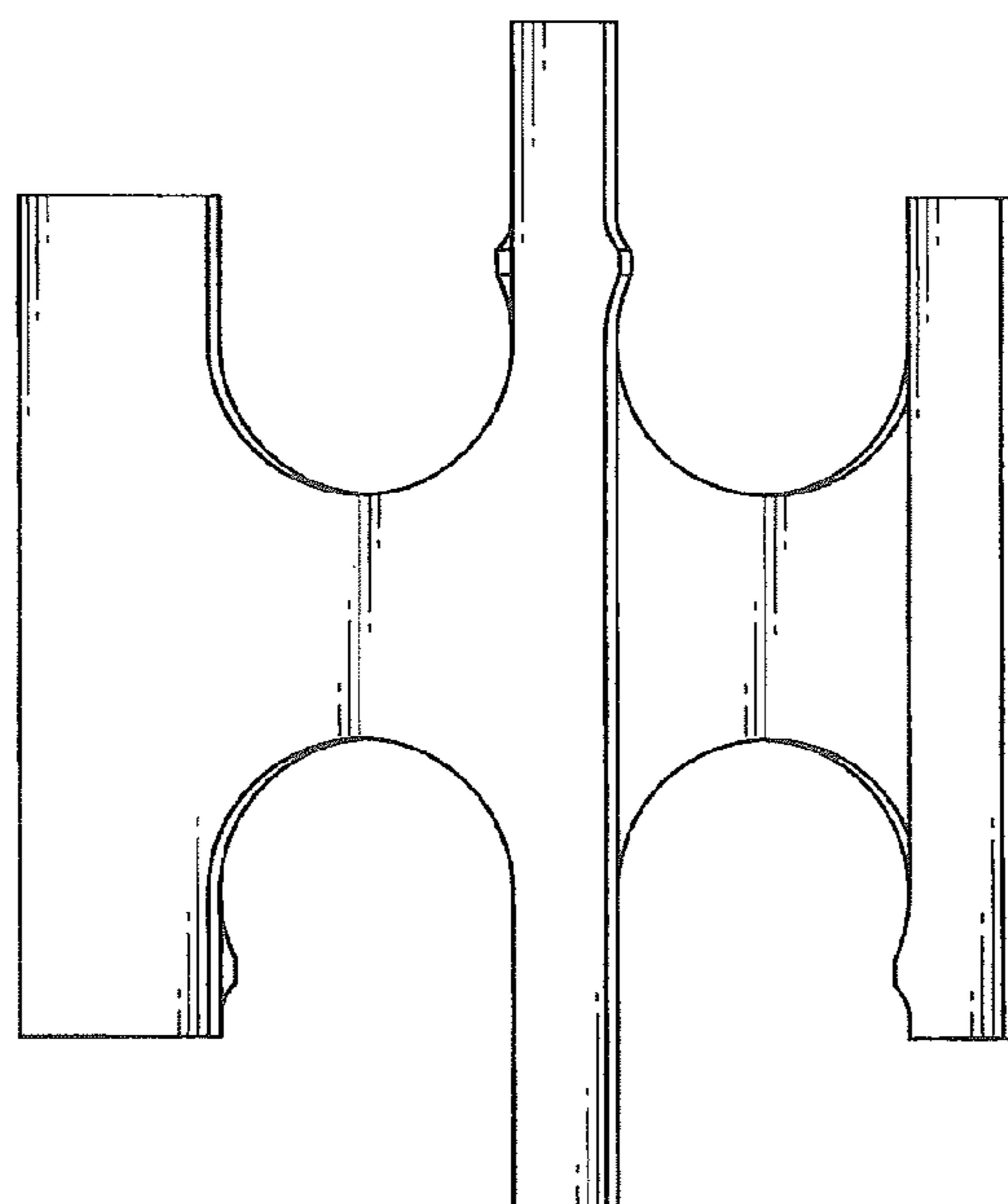


FIG.3

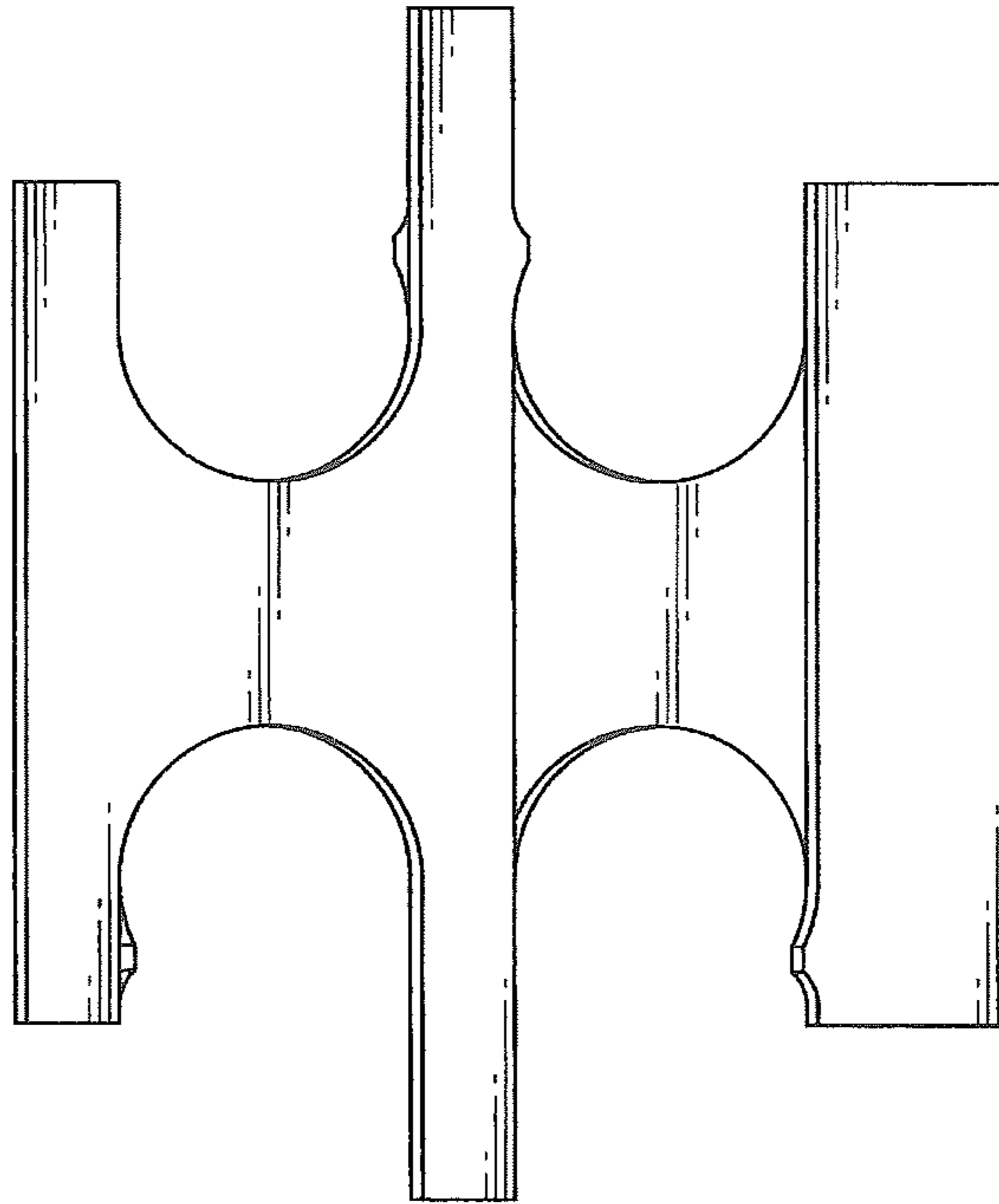


FIG.4

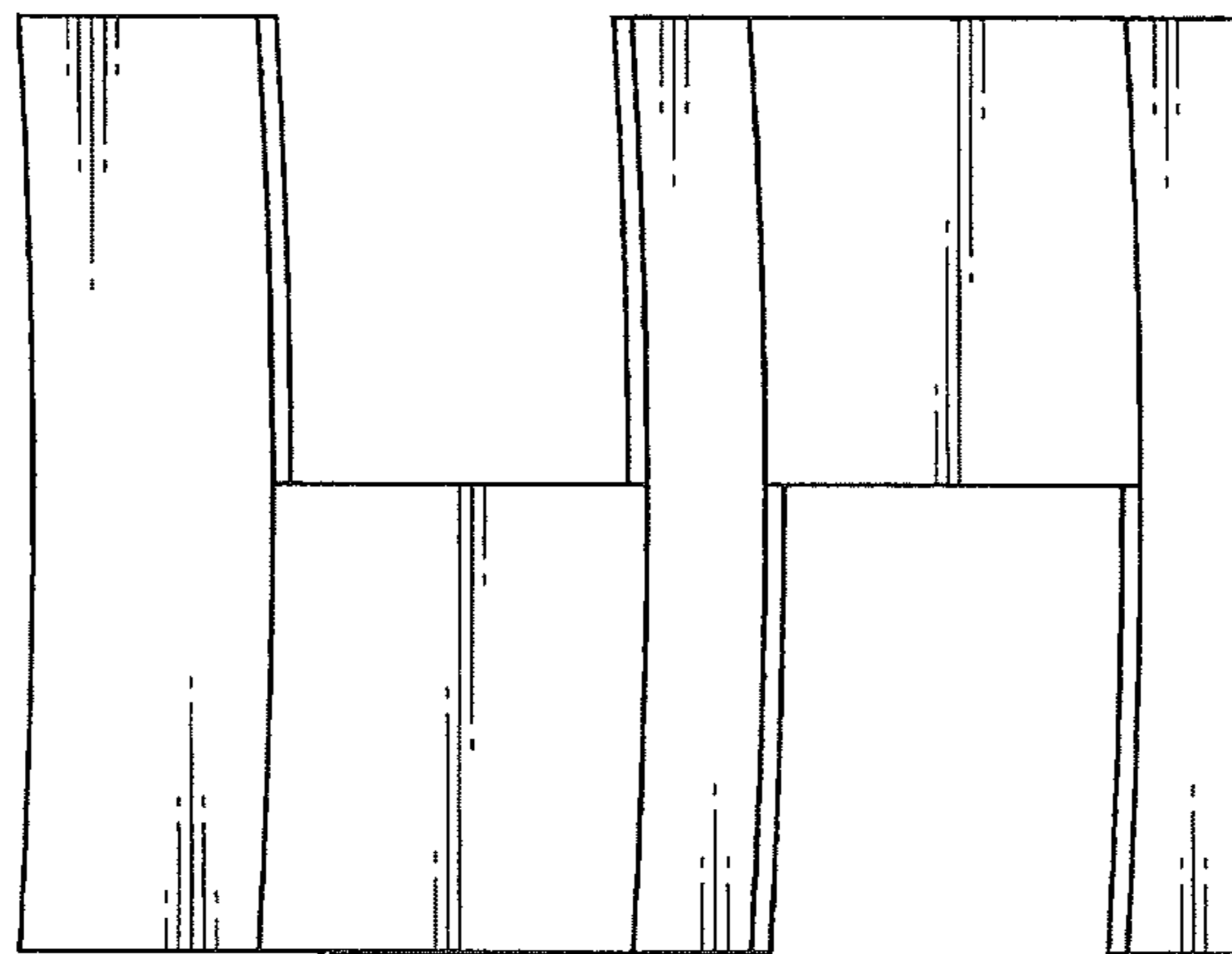


FIG.5

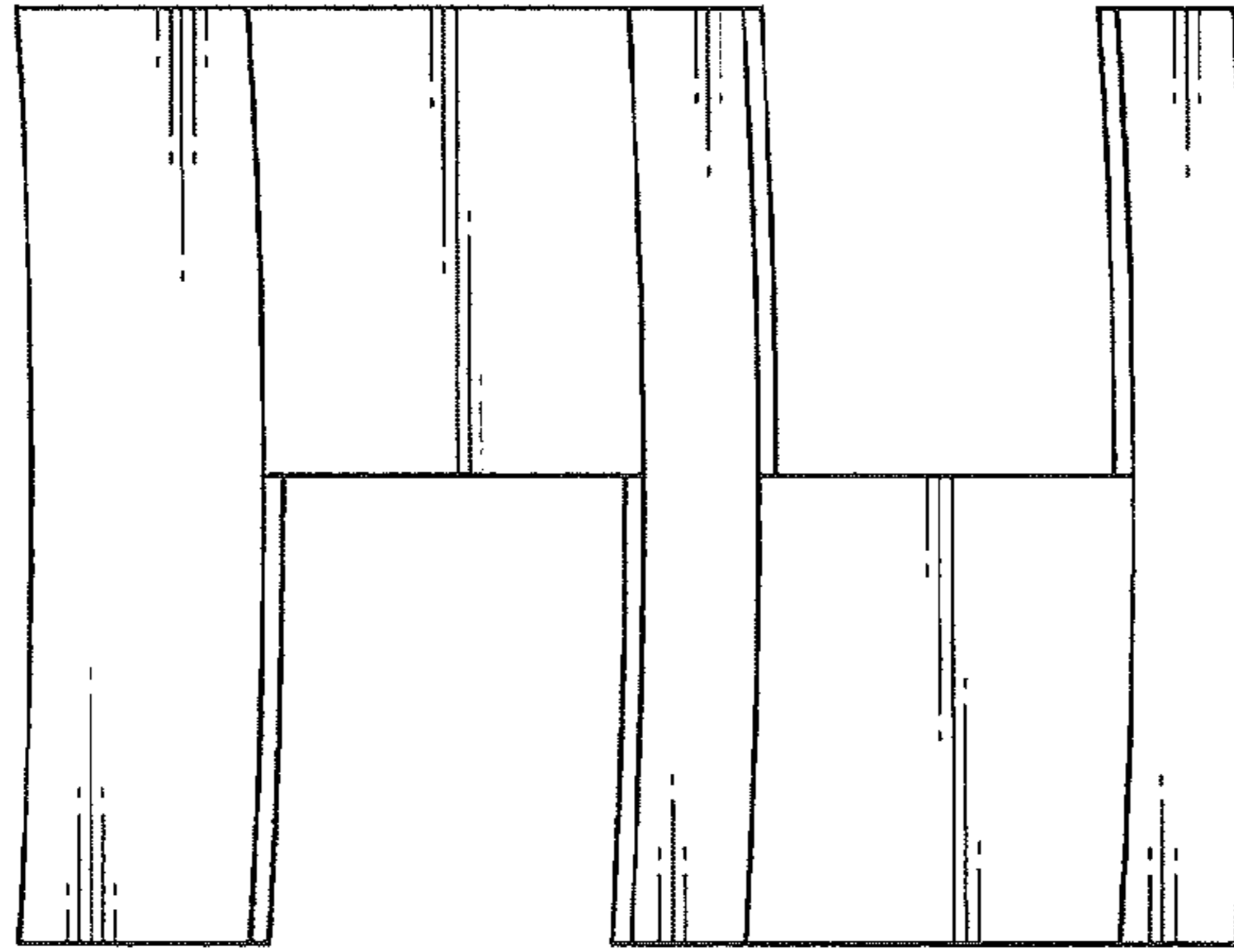


FIG.6

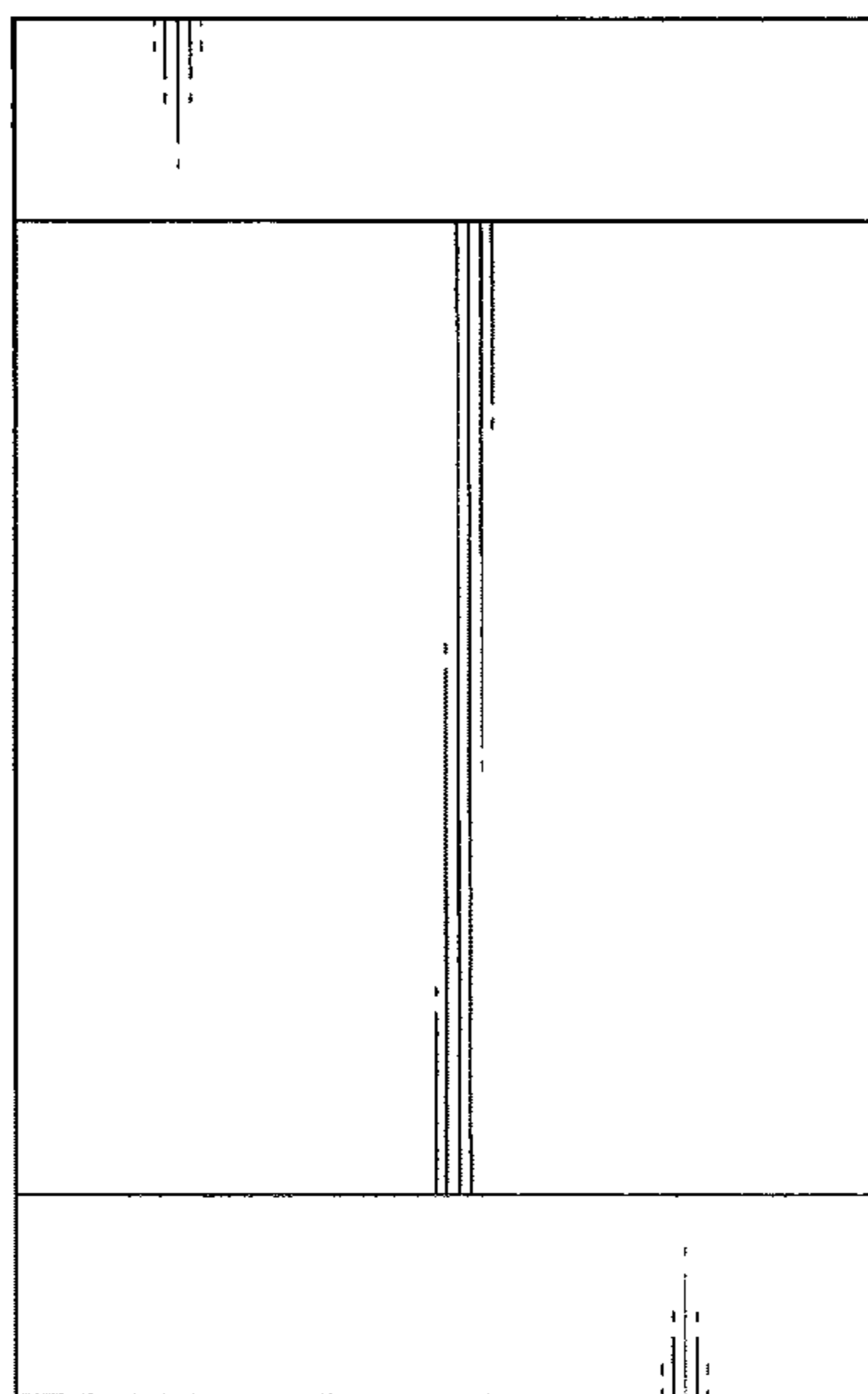


FIG. 7

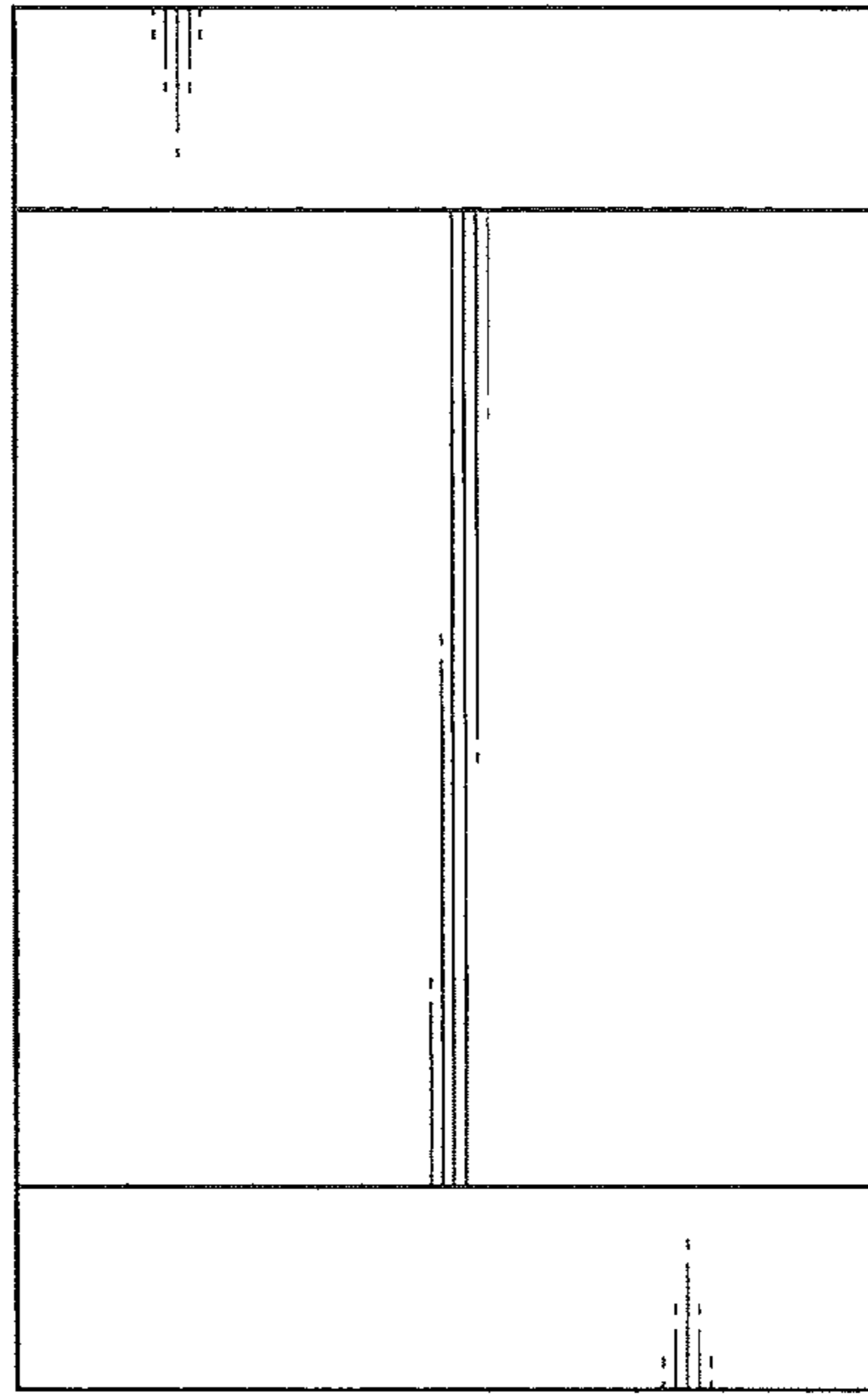


FIG. 8

