



US00D732933S

(12) **United States Design Patent**  
**Jansen**

(10) **Patent No.:** **US D732,933 S**  
(45) **Date of Patent:** **\*\* Jun. 30, 2015**

(54) **CABLE WRAP**

(71) Applicant: **Joseph A. Jansen**, Aurora, CO (US)

(72) Inventor: **Joseph A. Jansen**, Aurora, CO (US)

(\*\*) Term: **14 Years**

(21) Appl. No.: **29/490,664**

(22) Filed: **May 12, 2014**

(51) **LOC (10) Cl.** ..... **08-05**

(52) **U.S. Cl.**  
USPC ..... **D8/356**

(58) **Field of Classification Search**  
USPC ..... D8/356, 354, 349; 220/575;  
206/521.15; 24/302, 16 R, 306;  
439/501; 381/374; D14/217, 205  
See application file for complete search history.

(56) **References Cited**

**U.S. PATENT DOCUMENTS**

423,312	A *	3/1890	Clark	.....	24/134 R
1,666,623	A *	4/1928	Hoover	.....	24/18
4,957,232	A *	9/1990	Sprague	.....	224/674
D311,487	S *	10/1990	Platt	.....	D8/396
5,234,185	A *	8/1993	Hoffman et al.	.....	248/56
D390,447	S *	2/1998	Colen, Jr.	.....	D8/356
6,092,444	A *	7/2000	Hsiao	.....	81/440
D494,450	S *	8/2004	Schultz et al.	.....	D8/356

6,813,981	B2 *	11/2004	Urban et al.	.....	83/13
D613,137	S *	4/2010	Wieberdink et al.	.....	D8/14
D624,378	S *	9/2010	Wysopal	.....	D8/40
D627,632	S *	11/2010	Elmer et al.	.....	D8/383
D660,740	S *	5/2012	Cullen et al.	.....	D11/3
D662,087	S *	6/2012	Peller	.....	D14/223
D684,845	S *	6/2013	Wood	.....	D8/356
8,615,849	B2 *	12/2013	Rothbaum et al.	.....	24/16 R

\* cited by examiner

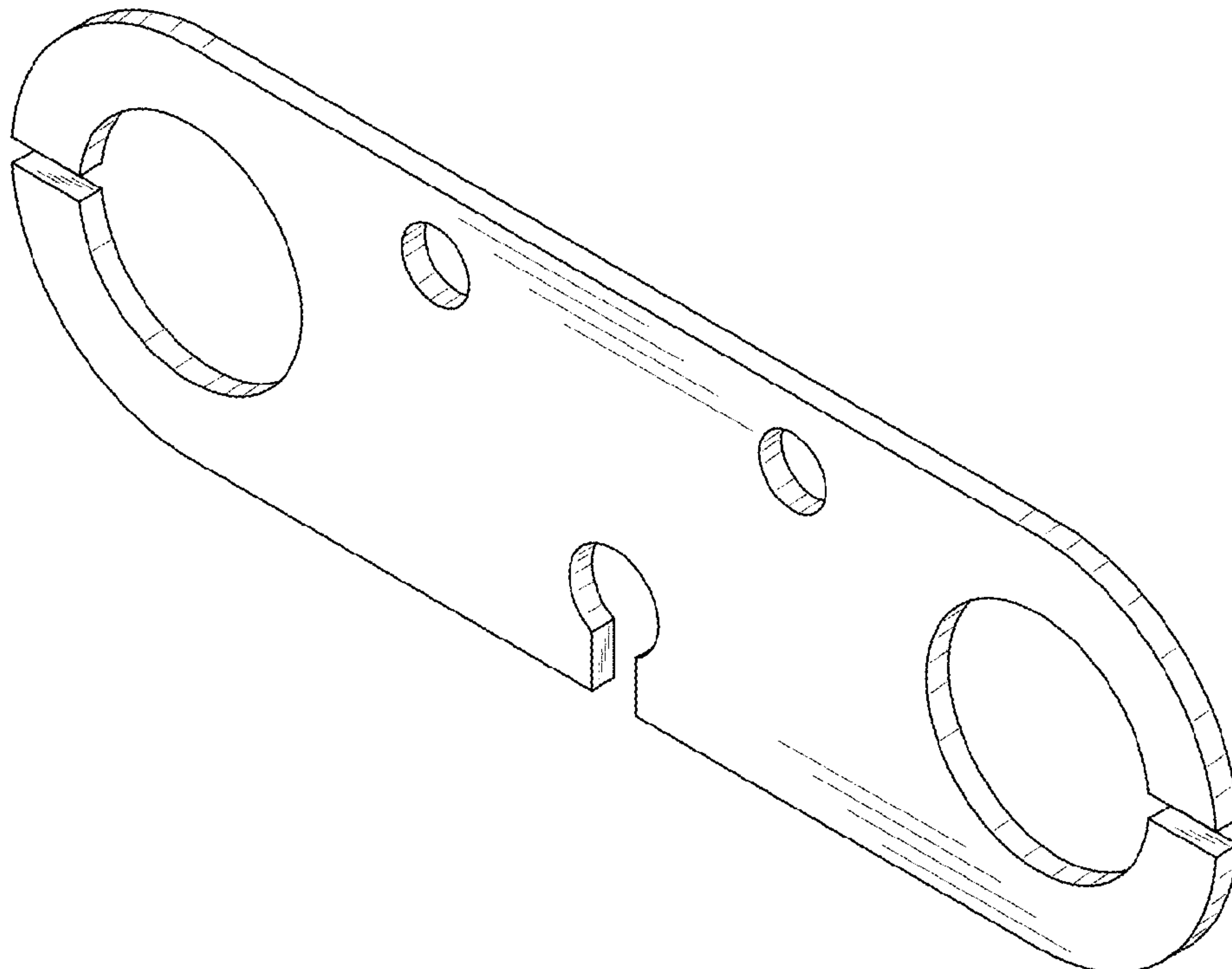
*Primary Examiner* — Cynthia Underwood

(57) **CLAIM**  
The ornamental design for a cable wrap, as shown and described.

**DESCRIPTION**

FIG. 1 is a perspective view of a cable wrap;  
FIG. 2 is a front elevational view thereof;  
FIG. 3 is a right-side elevational view thereof;  
FIG. 4 is a left-side elevational view thereof;  
FIG. 5 is a rear elevational view thereof;  
FIG. 6 is a top plan view thereof; and,  
FIG. 7 is a bottom plan view thereof.  
FIG. 8 is a perspective view of the present invention with a cable wrapped around it; and,  
FIG. 9 is a front view thereof.  
The broken lines represent an environment of use and form no part of the claim.

**1 Claim, 9 Drawing Sheets**



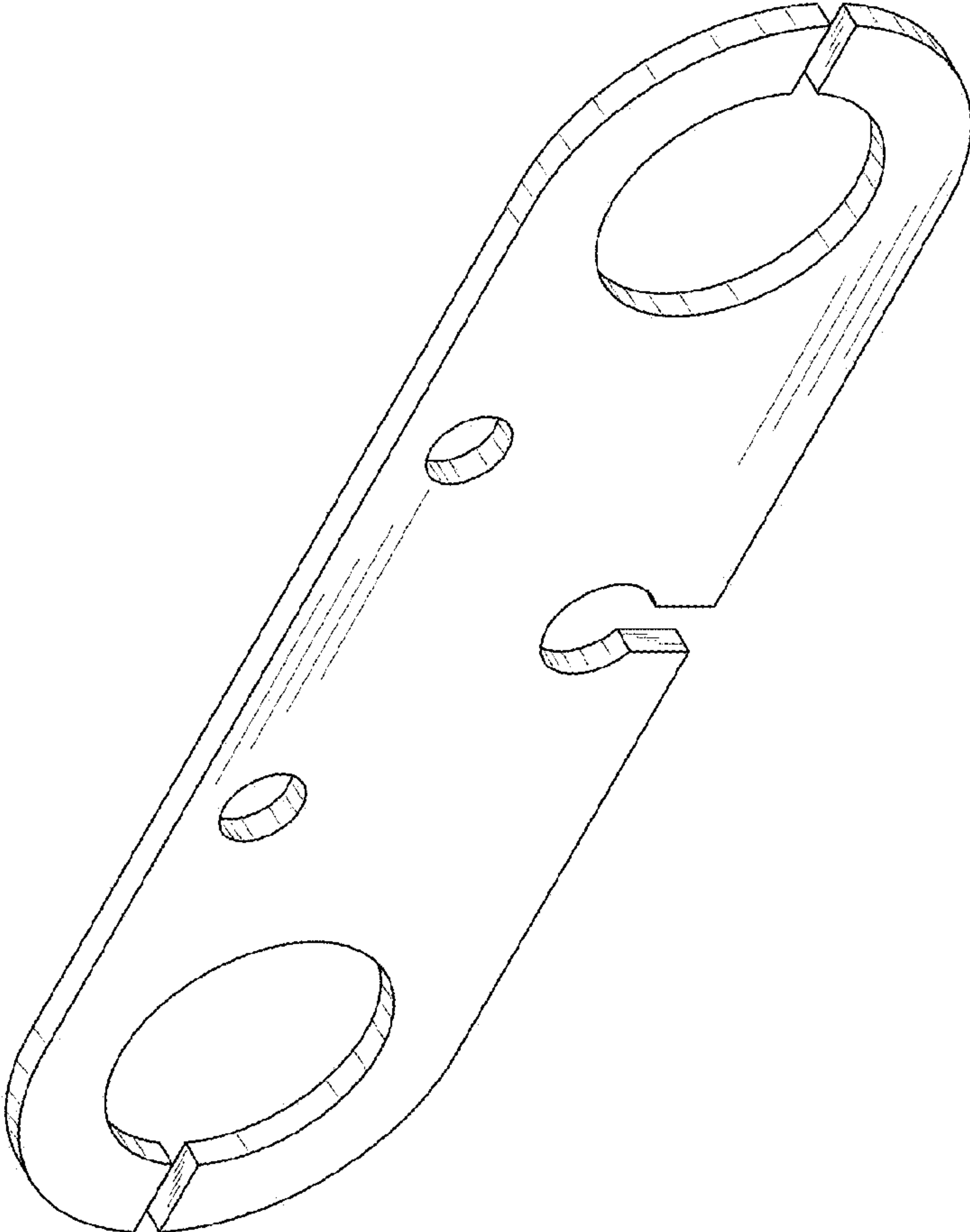


FIG. 1

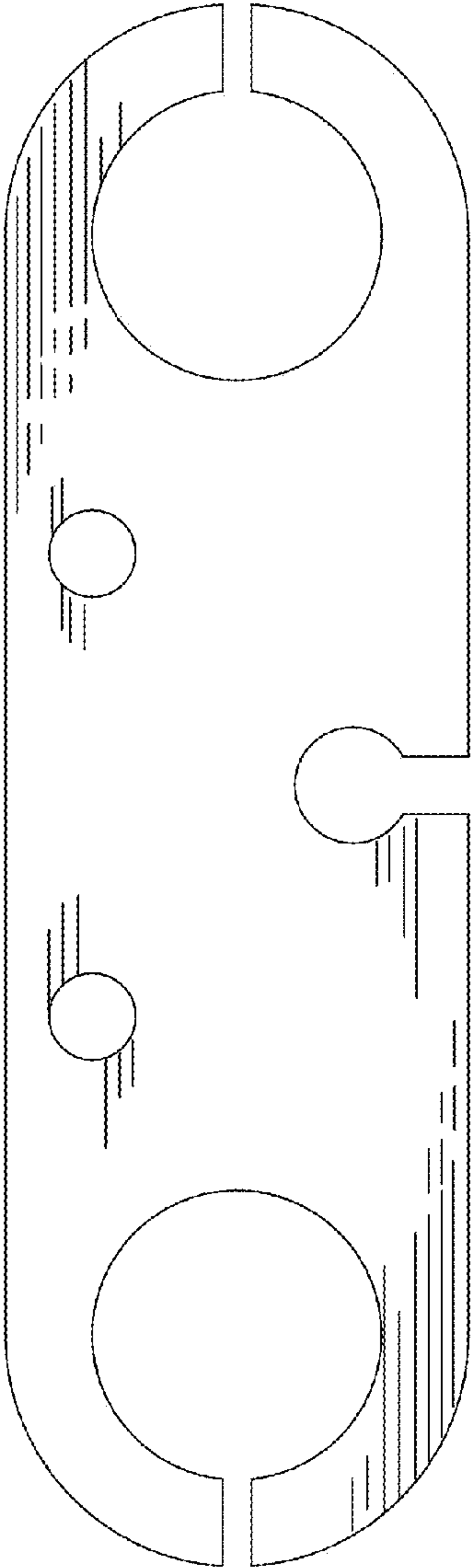


FIG. 2



FIG. 3



FIG. 4

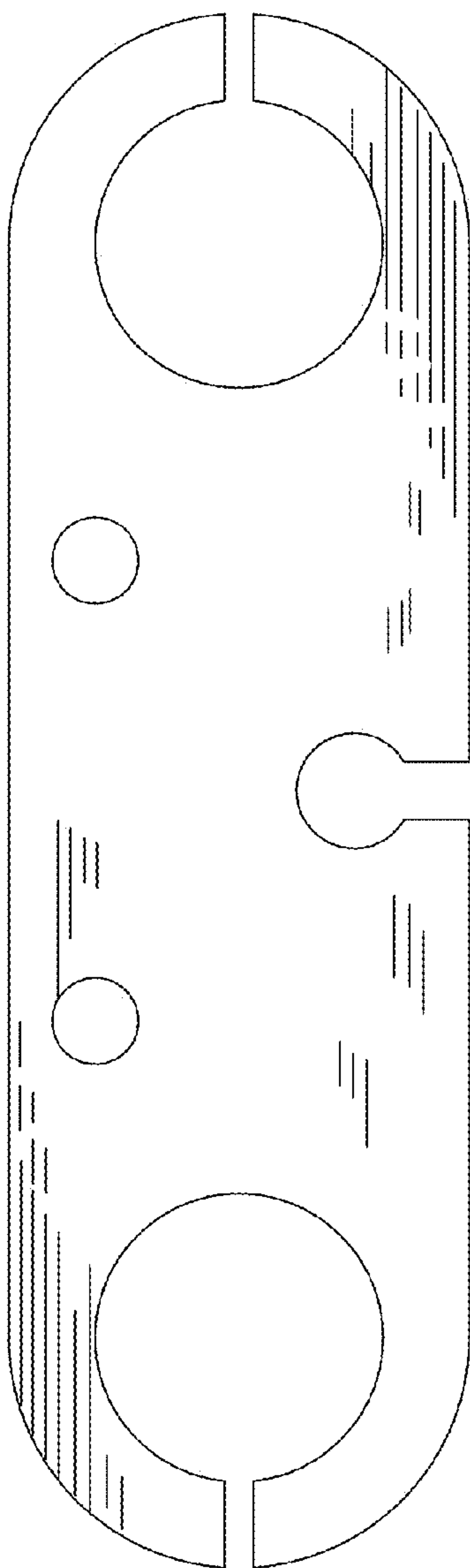


FIG. 5



FIG. 6



FIG. 7



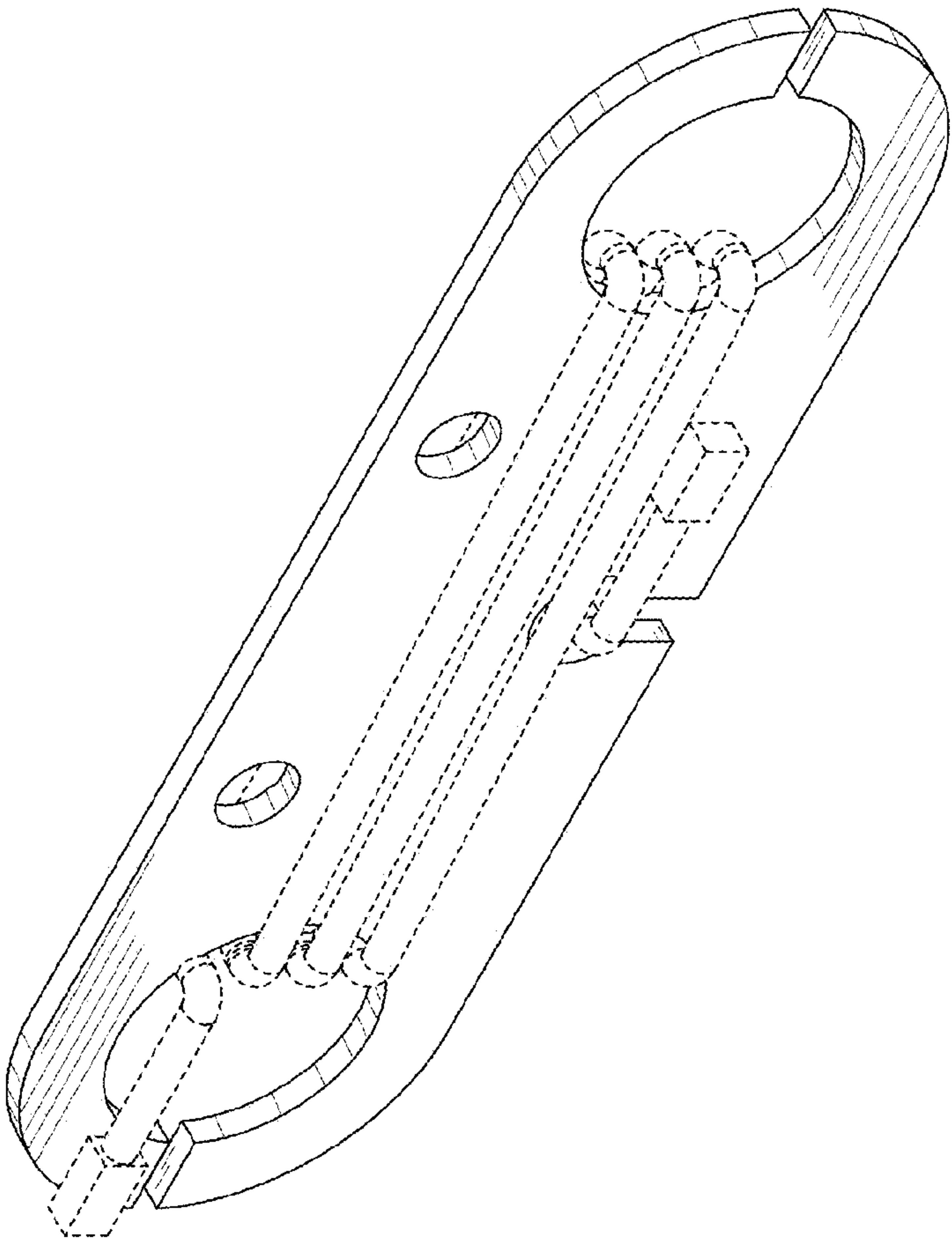


FIG. 8

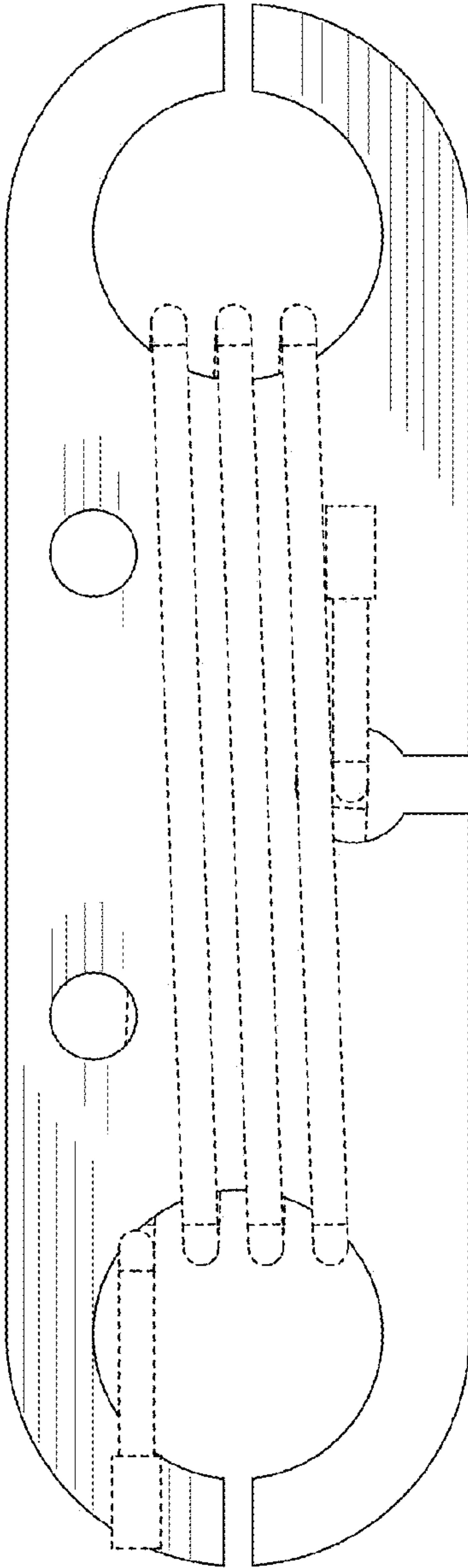


FIG. 9