



US00D732931S

(12) **United States Design Patent**
Charette

(10) **Patent No.:** **US D732,931 S**
(45) **Date of Patent:** **** Jun. 30, 2015**

(54) **STIRRUP STRUCTURE**

(71) Applicant: **9143-8010 QUÉBEC INC.**, Shawinigan
Sud (CA)

(72) Inventor: **Pierre Charette**,
Notre-Dame-du-Mont-Carmel (CA)

(**) Term: **14 Years**

(21) Appl. No.: **29/465,885**

(22) Filed: **Sep. 3, 2013**

(51) **LOC (10) Cl.** **08-05**

(52) **U.S. Cl.**
USPC **D8/354**

(58) **Field of Classification Search**

USPC D8/349, 354-355, 380, 382-383, 394;
D13/155, 102, 118, 154, 184, 199;
D25/119, 123, 124, 125; D21/484,
D21/500, 504

CPC F24J 2/07; F24J 2/14; F24J 2/541;
F24J 2/542; F24J 2/38; Y02E 10/47; Y02E
10/45; Y02E 10/50; Y02E 10/60; Y02E
10/52; E04H 9/022; E04H 9/021; E02D
27/34; E04B 1/98; H01L 35/00; H01L
31/0522; H01L 35/08; H01L 31/052; H01L
31/042; H01L 31/05; H01L 27/1423; H01L
31/048; H01L 31/045; H01L 31/055; B64G
1/443; B64G 1/222; B60G 2202/143

See application file for complete search history.

(56) **References Cited**

U.S. PATENT DOCUMENTS

1,797,543 A * 3/1931 Bryan 182/224
4,114,861 A * 9/1978 Long 256/67

D264,935 S * 6/1982 Ziaylek, Jr. D8/373
7,017,876 B1 * 3/2006 LeCher 248/300
D555,468 S * 11/2007 Caswell et al. D8/380
D558,039 S * 12/2007 Skinner D8/382
D558,041 S * 12/2007 Skinner D8/382
D595,115 S * 6/2009 Royer D8/354
D646,955 S * 10/2011 Sanders et al. D8/354
8,307,603 B1 * 11/2012 Mitchell et al. 52/741.2
8,540,201 B2 * 9/2013 Gadd et al. 248/300
D701,108 S * 3/2014 Rodgers D8/354
8,733,061 B1 * 5/2014 McDonald 52/715

* cited by examiner

Primary Examiner — Karen E Kearney

Assistant Examiner — Nathaniel D Buckner

(74) *Attorney, Agent, or Firm* — Welsh Flaxman & Gitler
LLC

(57) **CLAIM**

The ornamental design for a stirrup structure, as shown and
described.

DESCRIPTION

FIG. 1 is a front view of the stirrup structure;
FIG. 2 is a rear view of the stirrup structure;
FIG. 3 is a top view of the stirrup structure;
FIG. 4 is a bottom view of the stirrup structure;
FIG. 5 is a right side view of the stirrup structure;
FIG. 6 is a left side view of the stirrup structure;
FIG. 7 is a perspective view of the stirrup structure; and,
FIG. 8 is a perspective view of the stirrup structure in use, the
broken lines representing beams which are included for the
purpose of illustrating environmental structure and form no
part of the claimed design.

1 Claim, 8 Drawing Sheets

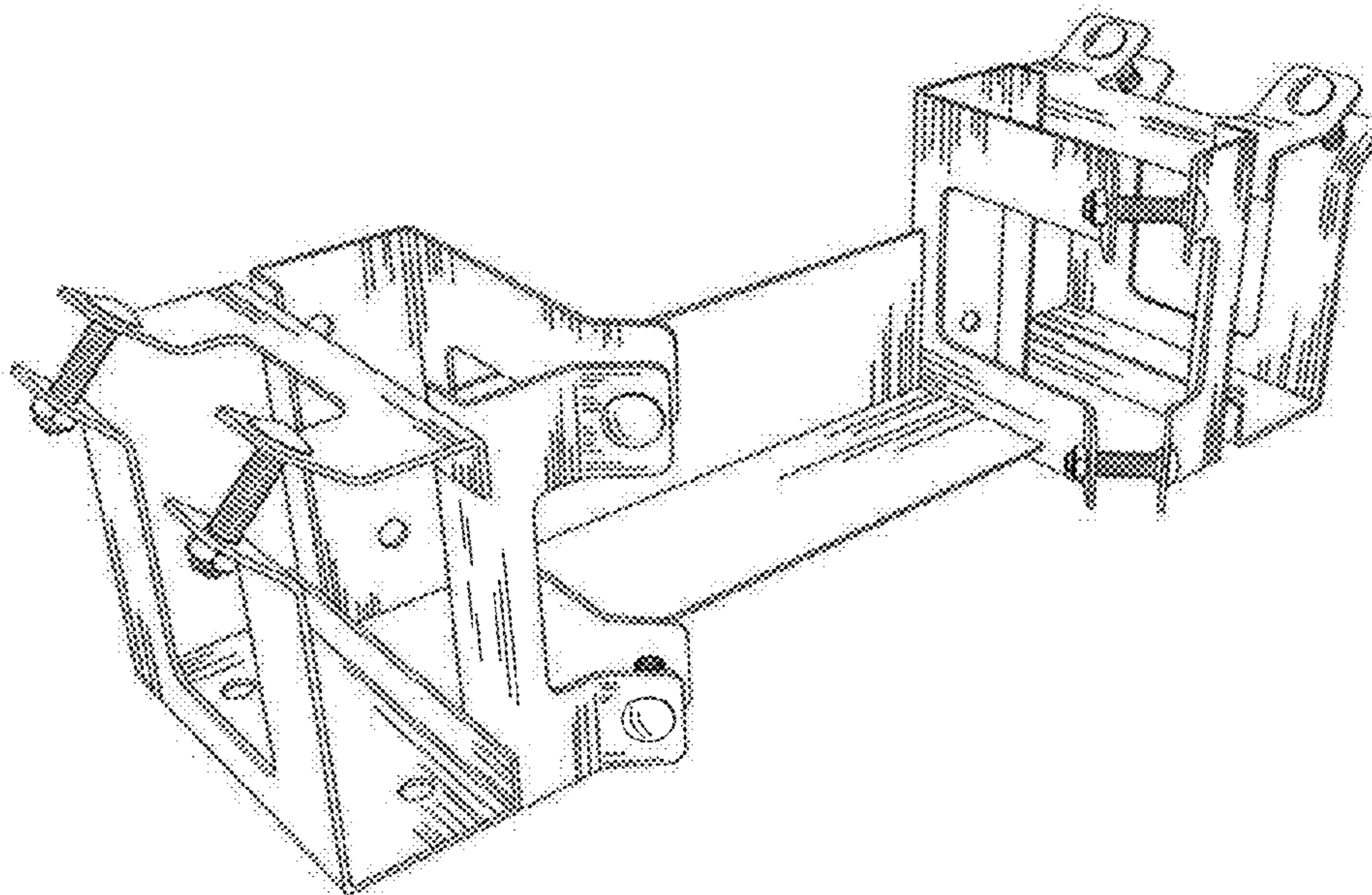




FIGURE 1



FIGURE 2

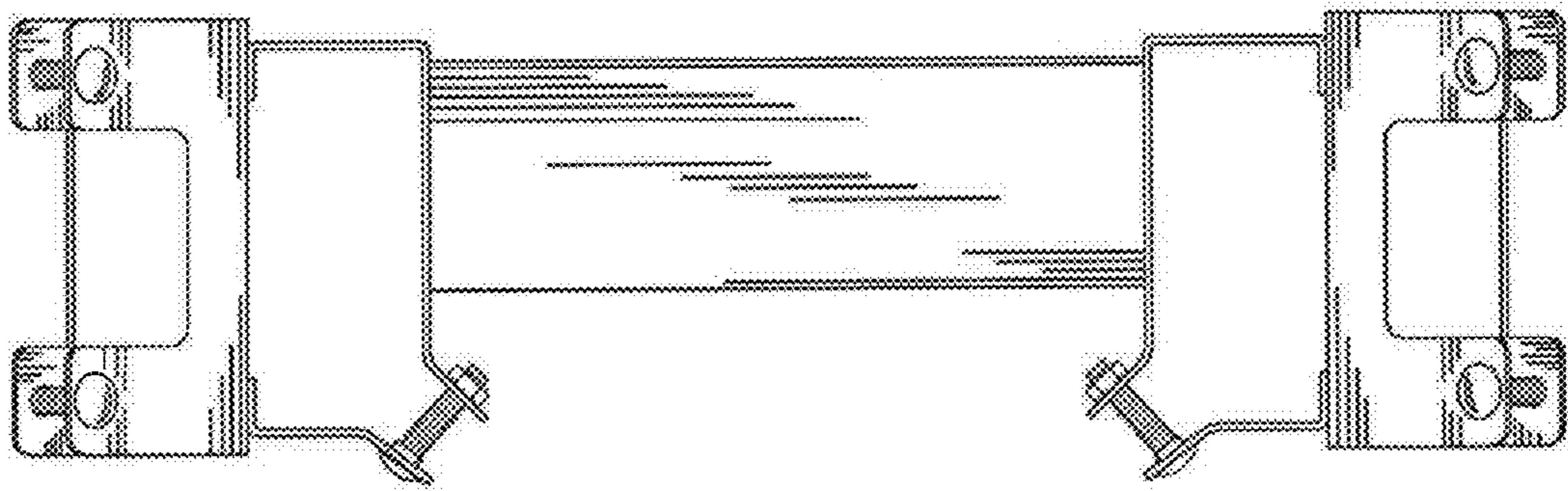


FIGURE 3



FIGURE 4

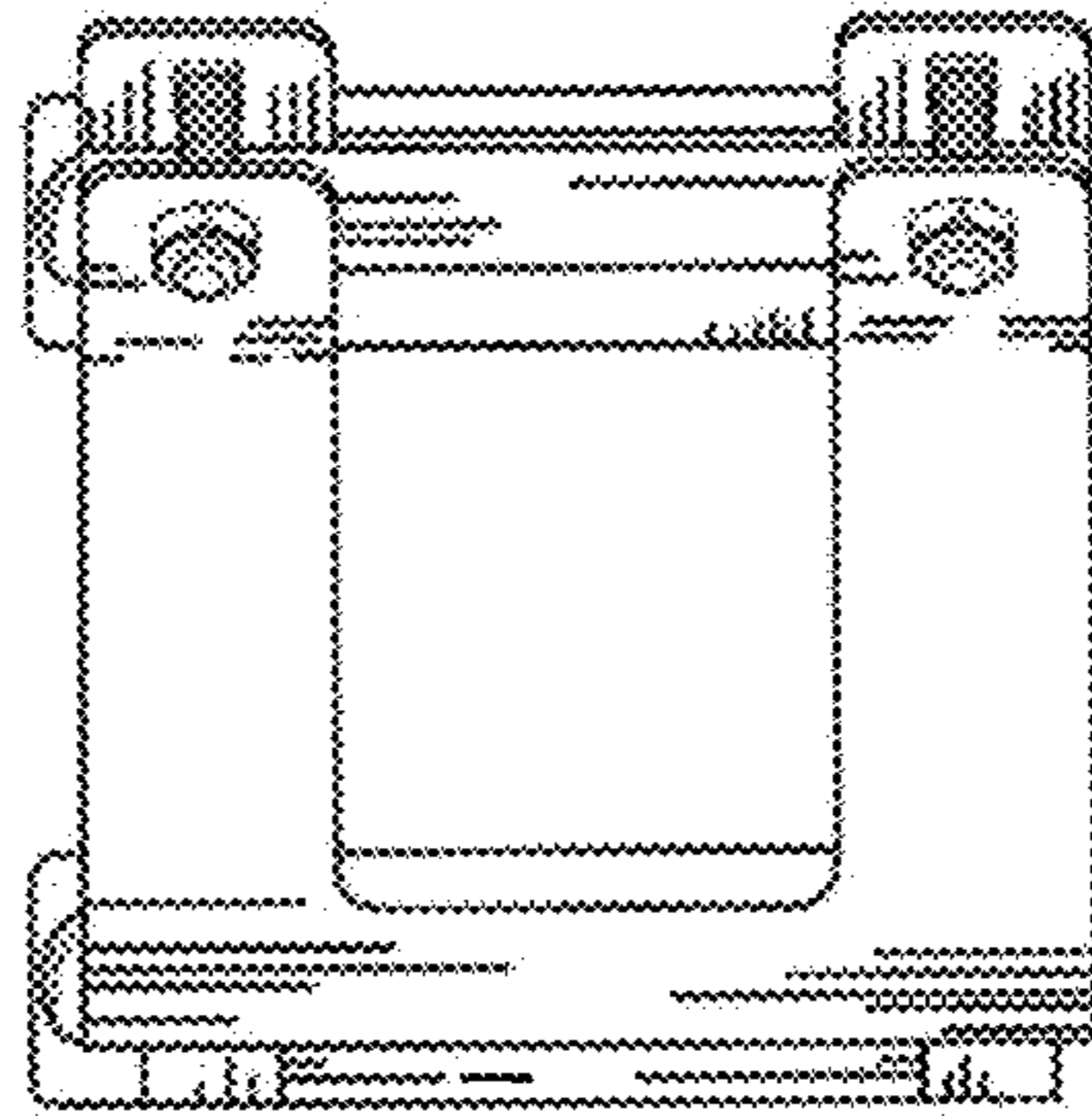


FIGURE 5

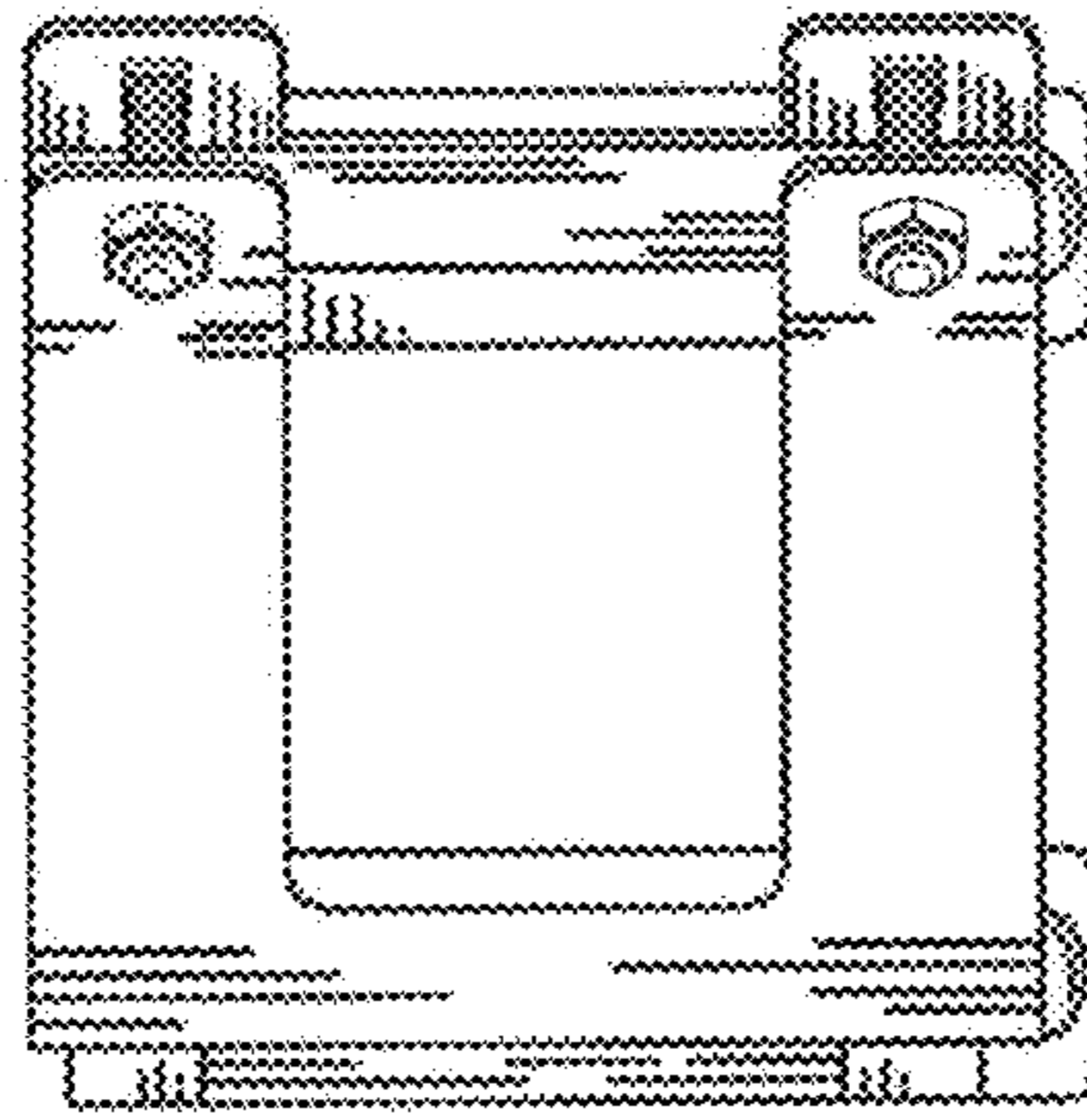


FIGURE 6

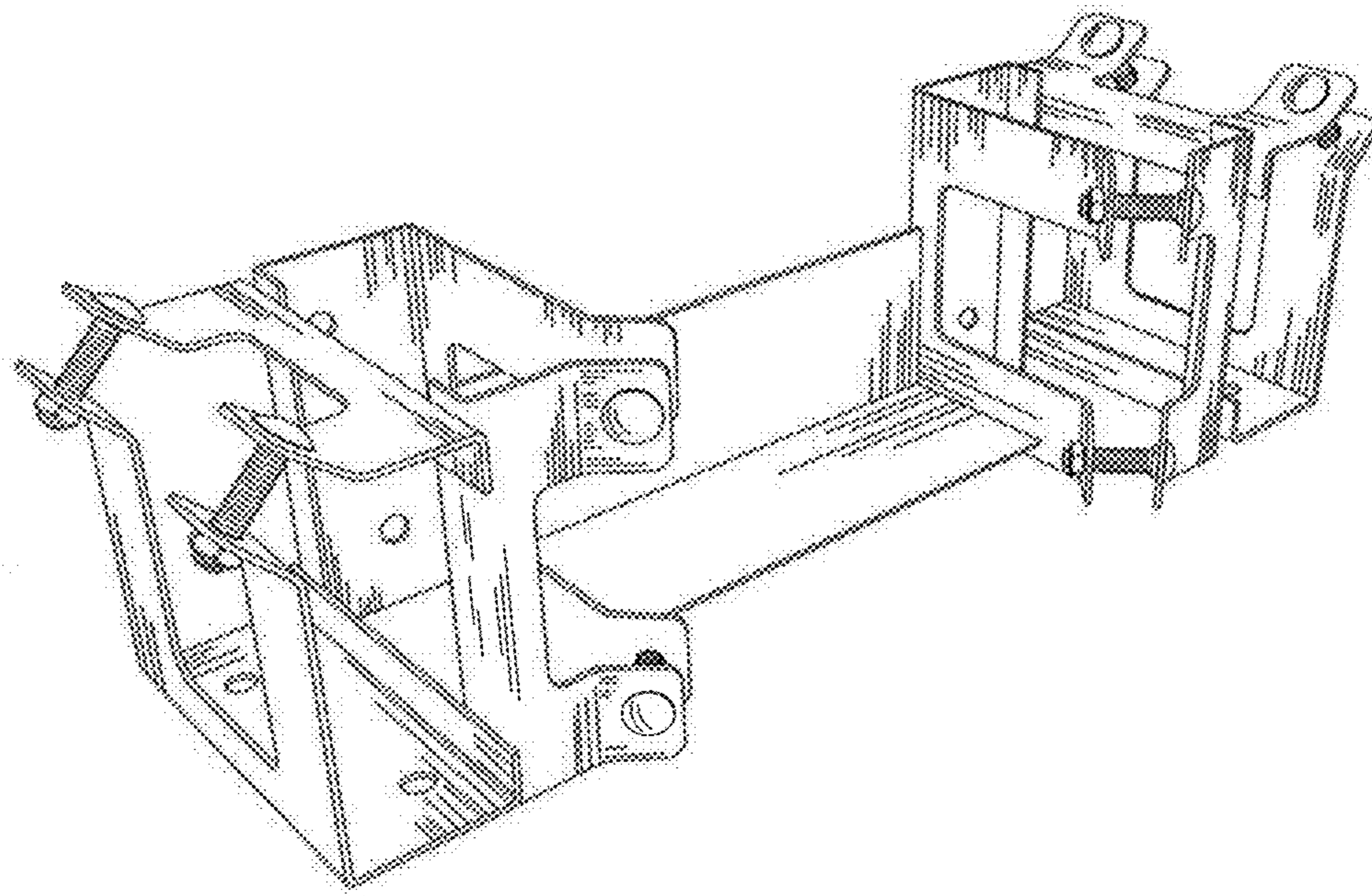


FIGURE 7

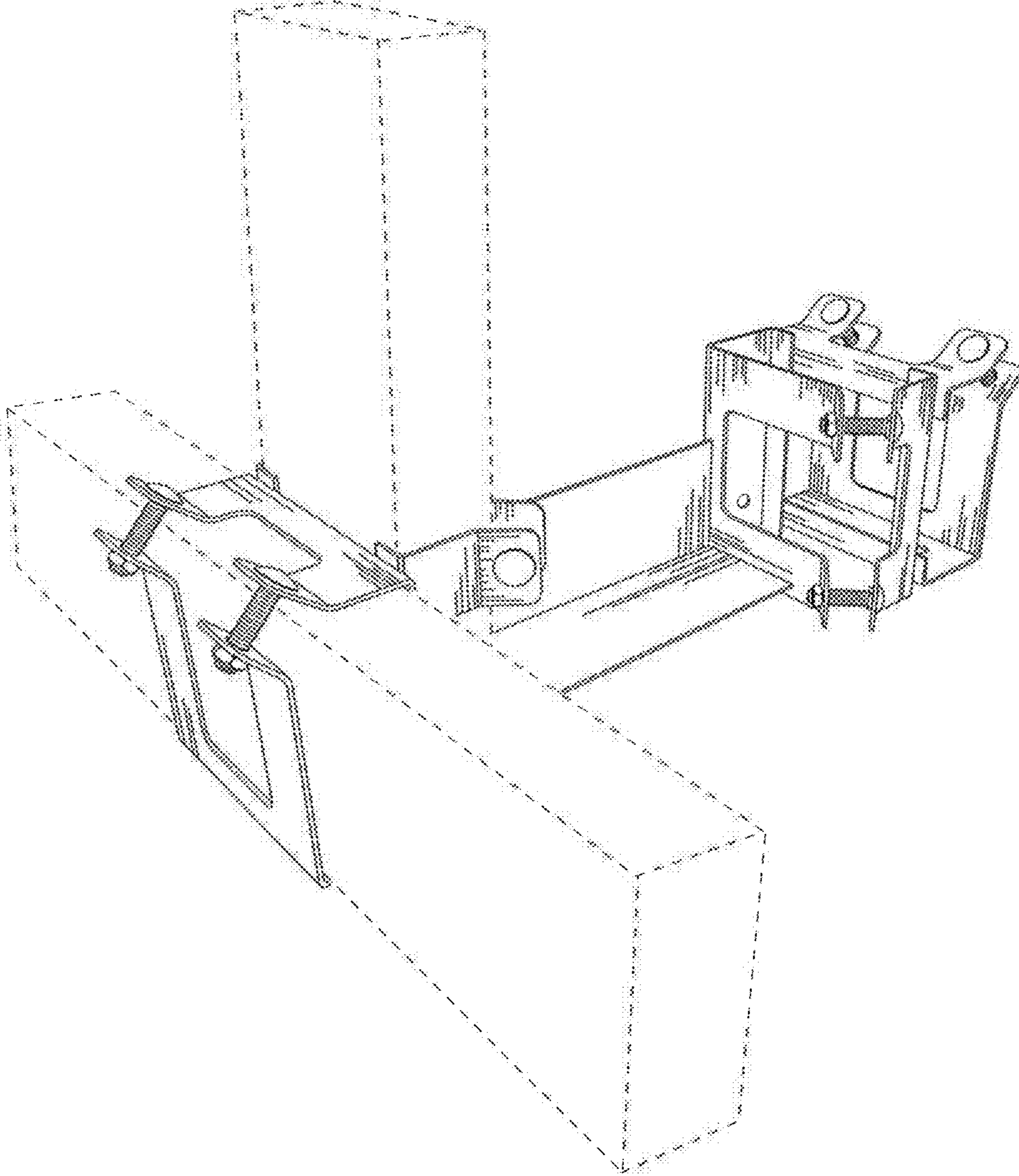


FIGURE 8