



US00D732930S

(12) **United States Design Patent**
Harrow

(10) **Patent No.:** **US D732,930 S**
(45) **Date of Patent:** **** Jun. 30, 2015**

(54) **CONNECTOR COMPONENT**

Primary Examiner — Holly Baynham

(71) Applicant: **Lawrence Harrow**, Commerce, CA
(US)

(74) *Attorney, Agent, or Firm* — John J. Connors; Connors & Assoc. pc

(72) Inventor: **Lawrence Harrow**, Commerce, CA
(US)

(57) **CLAIM**

The ornamental design for the connector component, as shown and described.

(**) Term: **14 Years**

(21) Appl. No.: **29/449,243**

DESCRIPTION

(22) Filed: **Mar. 14, 2013**

(51) **LOC (10) Cl.** **08-05**

(52) **U.S. Cl.**
USPC **D8/354**

(58) **Field of Classification Search**
USPC D8/349, 354
CPC A47F 5/00; A47H 1/10; E04G 5/06;
A47G 29/00; A47G 29/08; A47B 97/00;
H02G 3/123; B60R 2011/0005; B60K
2350/941; B60K 37/04

See application file for complete search history.

FIG. 1 is a front top perspective view of one embodiment of my connector component.
FIG. 2 is a rear top perspective view of the embodiment of my connector component shown in FIG. 1.
FIG. 3 is a top plan view of the embodiment of my connector component shown in FIG. 1.
FIG. 4 is a front view of the embodiment of my connector component shown in FIG. 1.
FIG. 5 is a left side elevation view of the embodiment of my connector component shown in FIG. 1, and the right side is a mirror image of the left side.
FIG. 6 is a rear view of the embodiment of my connector component shown in FIG. 1; and,
FIG. 7 is a bottom plan view of the embodiment of my connector component shown in FIG. 1.
The broken lines showing an opening are for the purposes of illustrating environment and form no part of the claimed design.

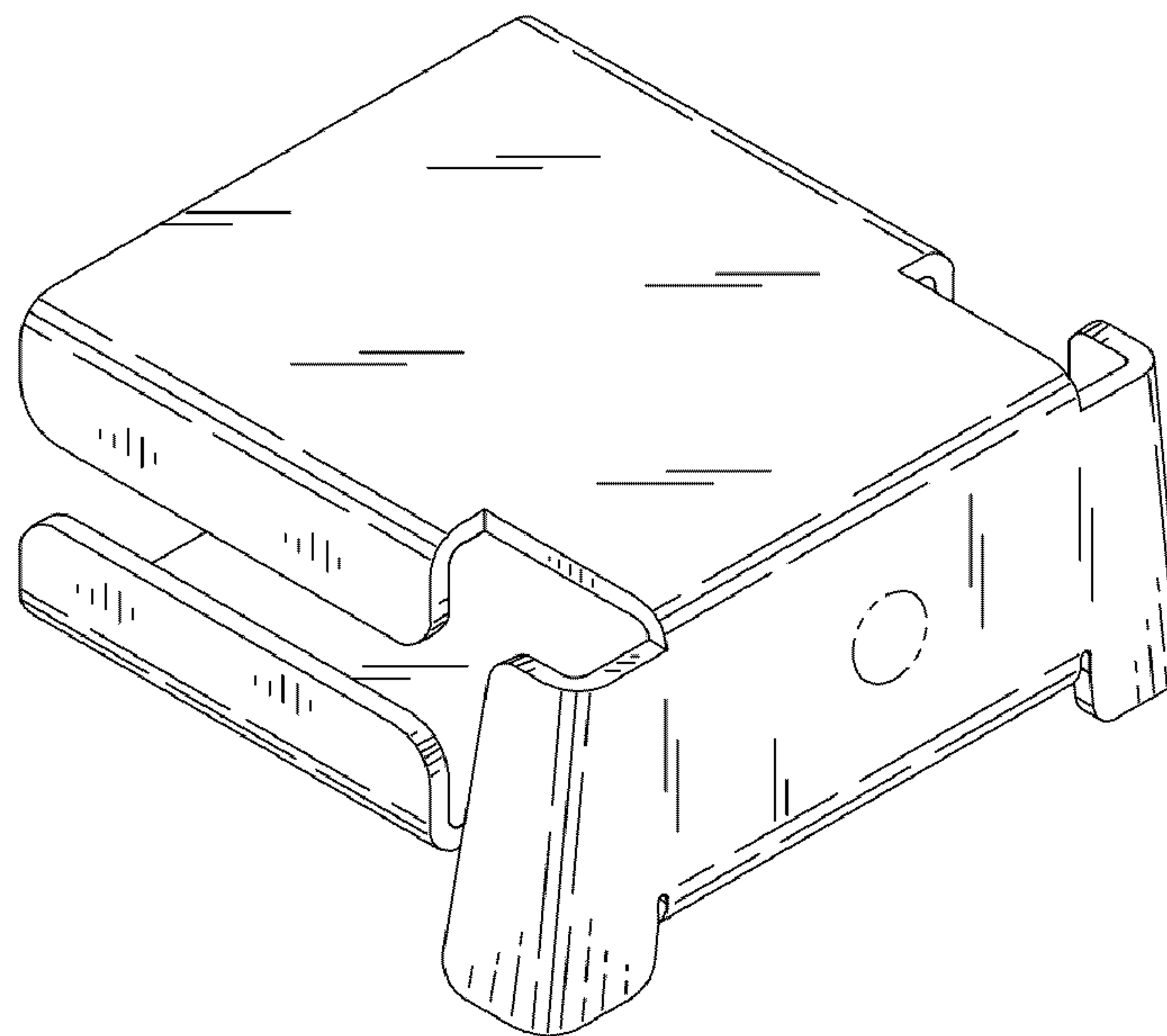
(56) **References Cited**

U.S. PATENT DOCUMENTS

D445,019 S * 7/2001 Vitetta D8/366
D660,133 S * 5/2012 Yoder et al. D8/354
D699,549 S * 2/2014 Giessmann et al. D8/380

* cited by examiner

1 Claim, 2 Drawing Sheets



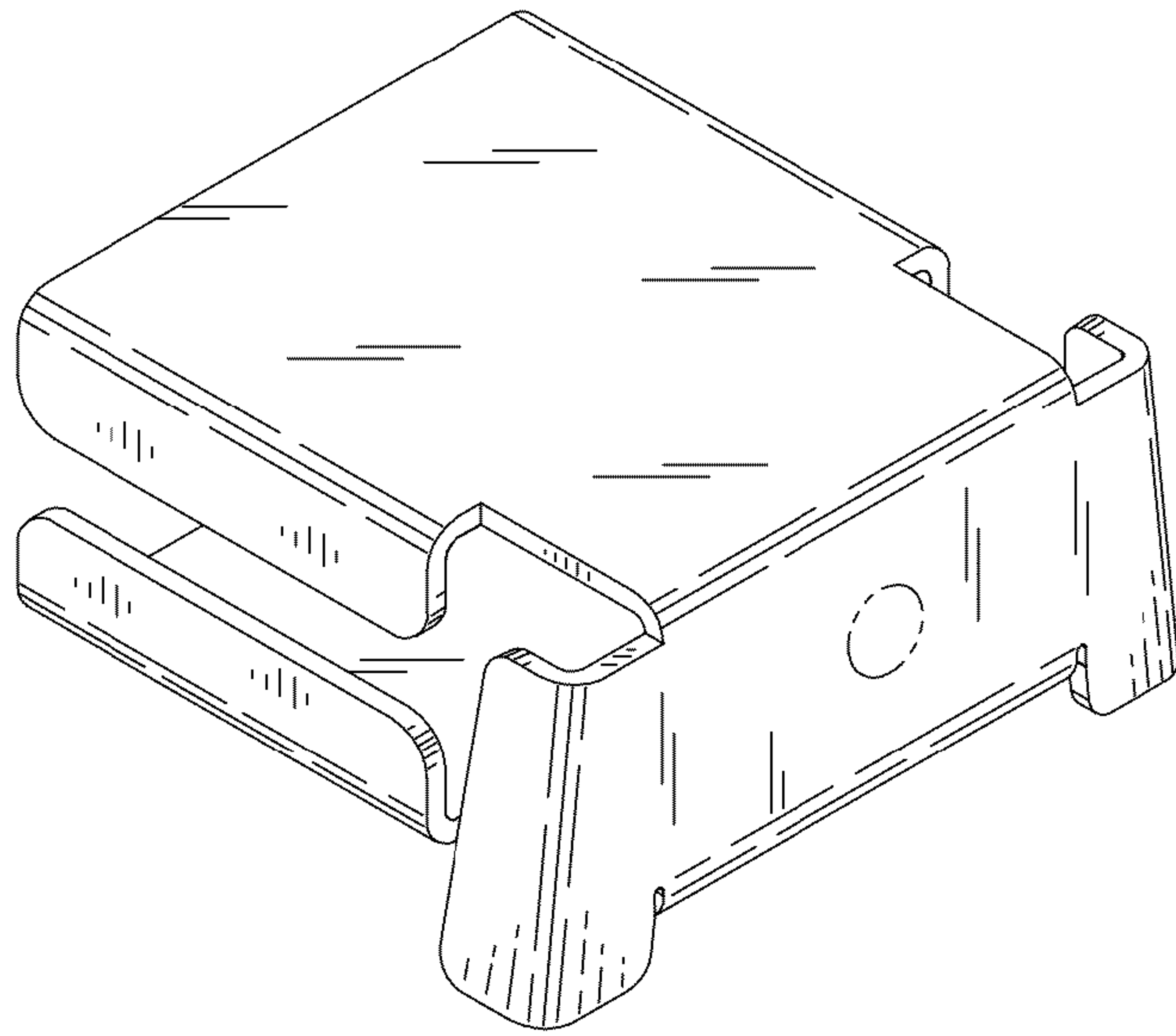


FIG. 1

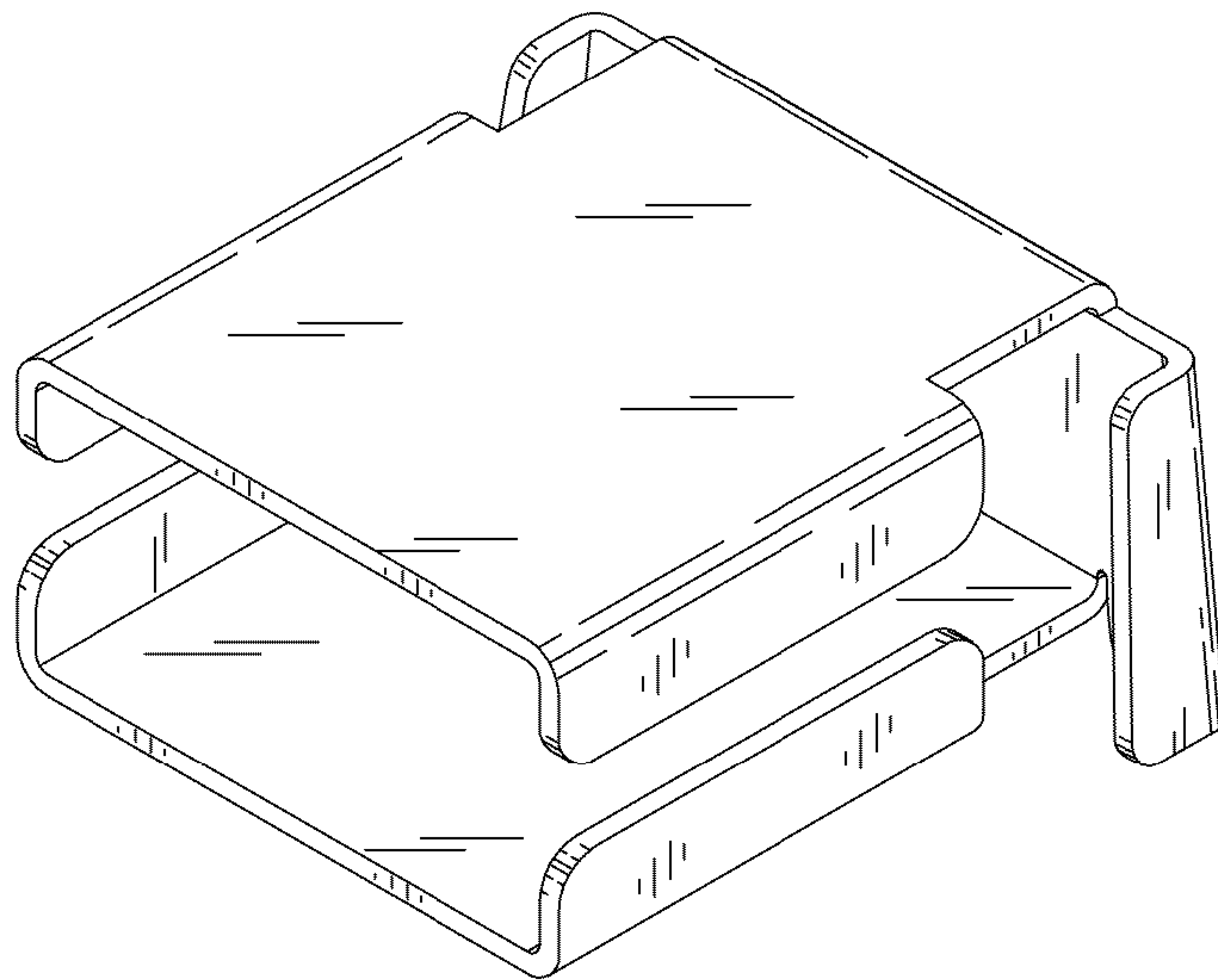


FIG. 2

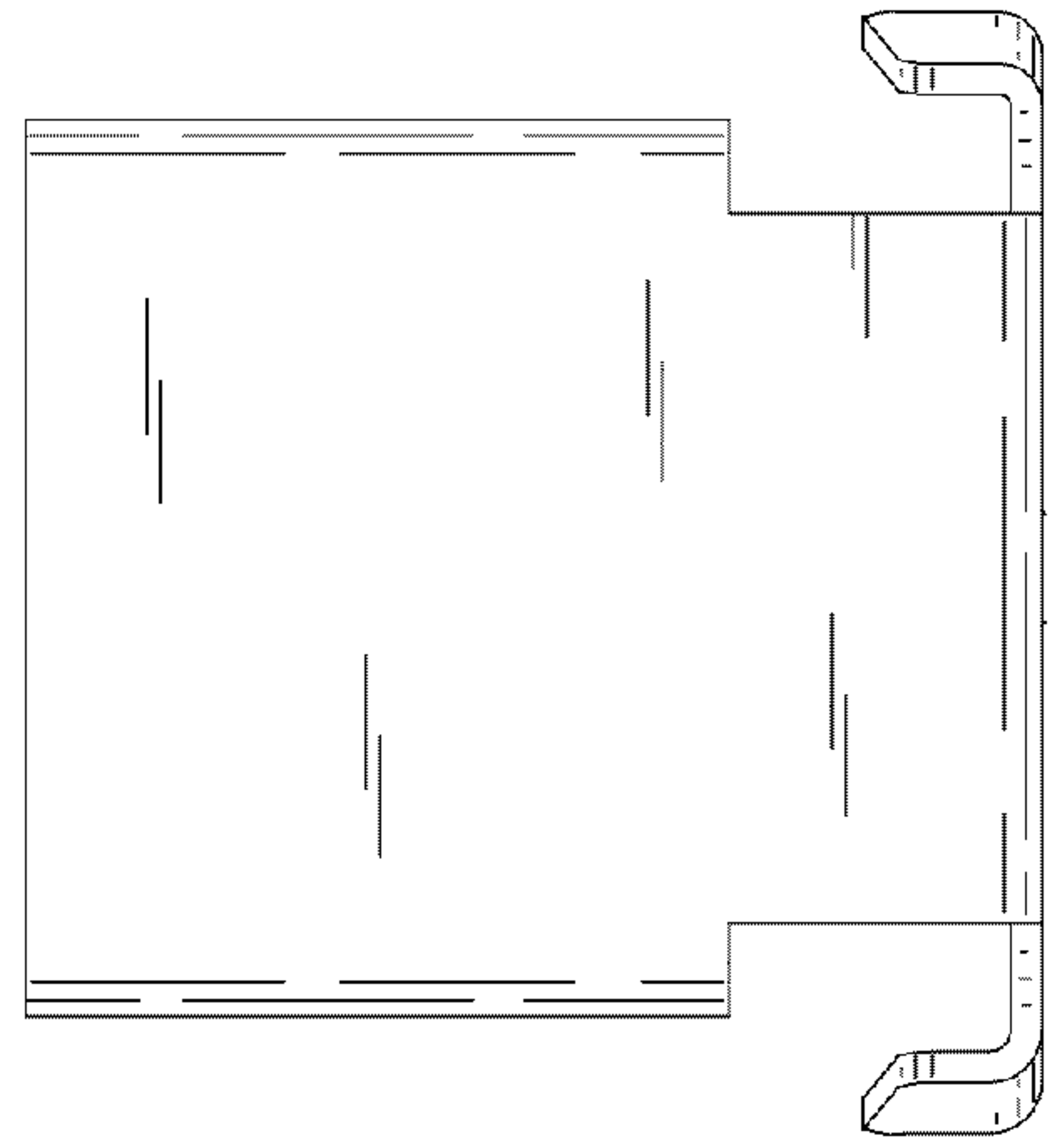


FIG. 3

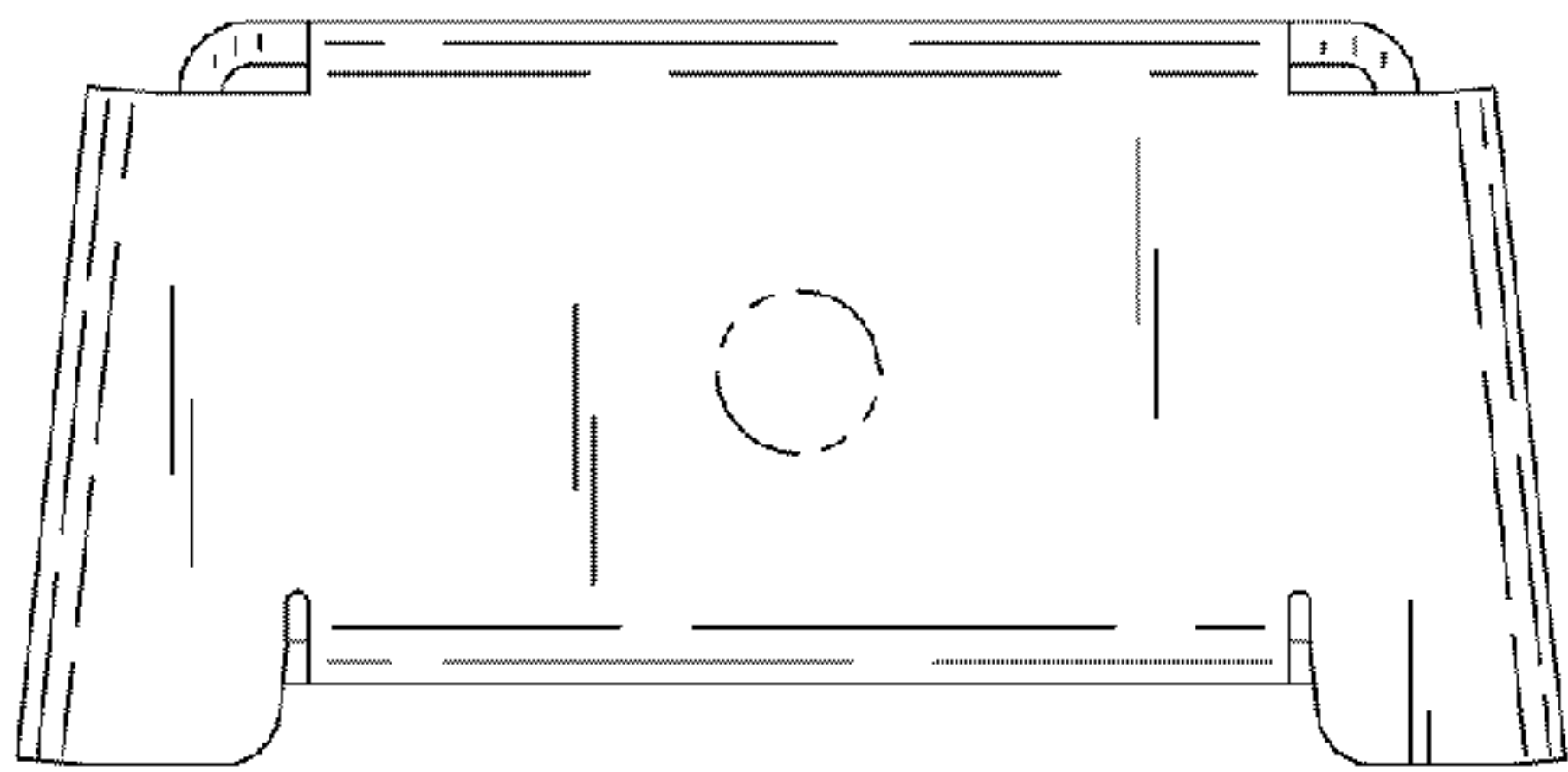


FIG. 4

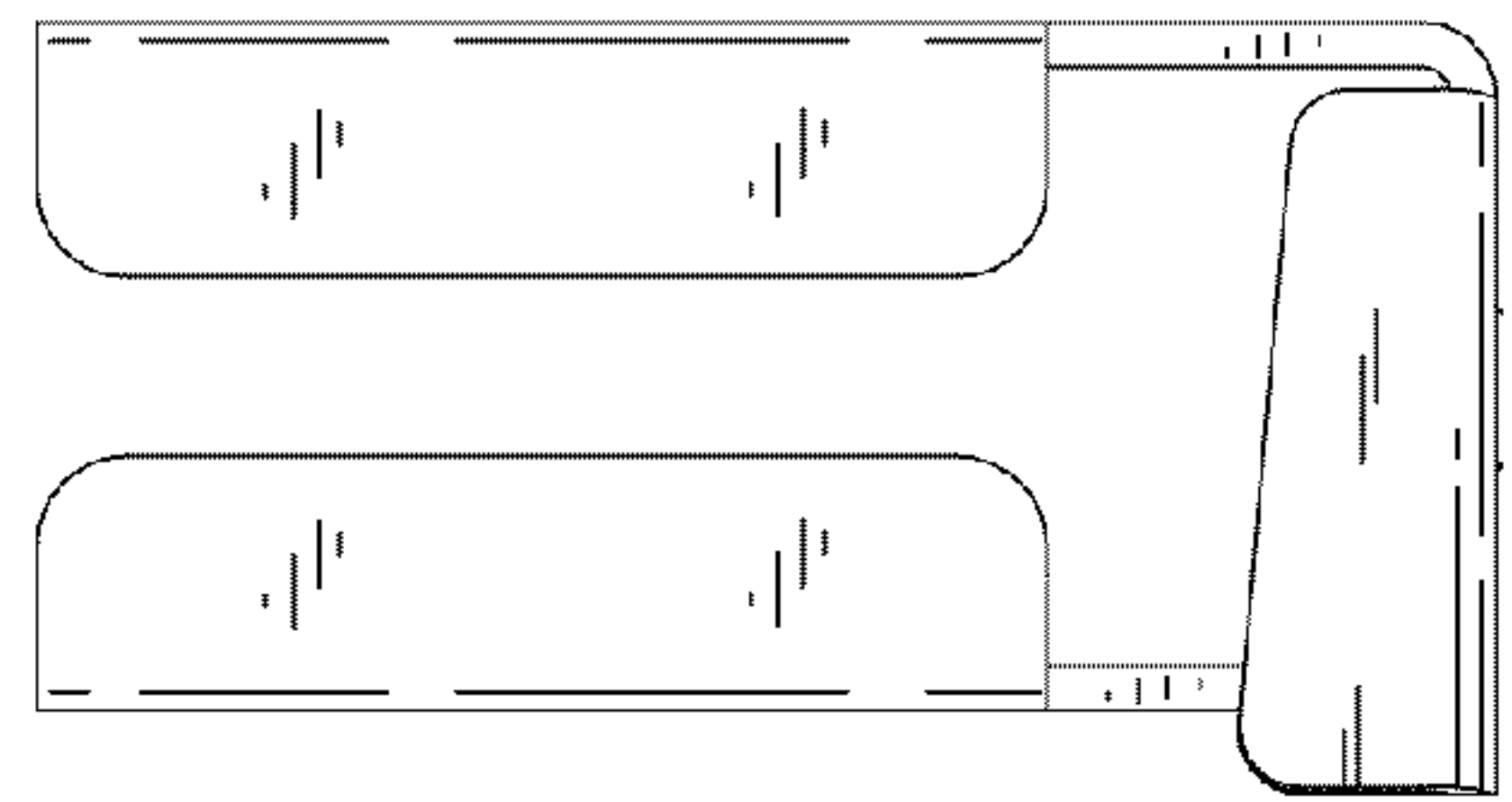


FIG. 5

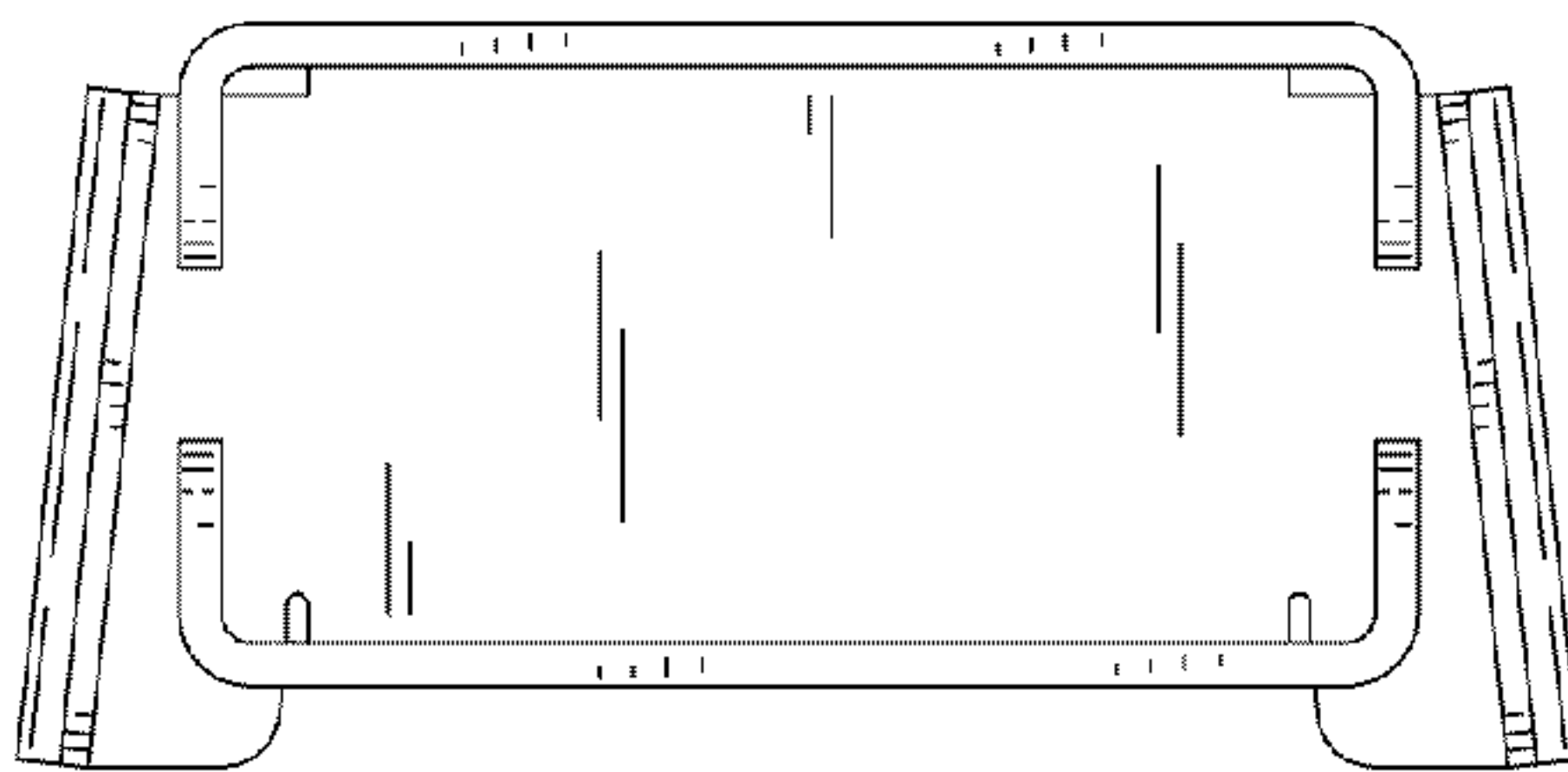


FIG. 6

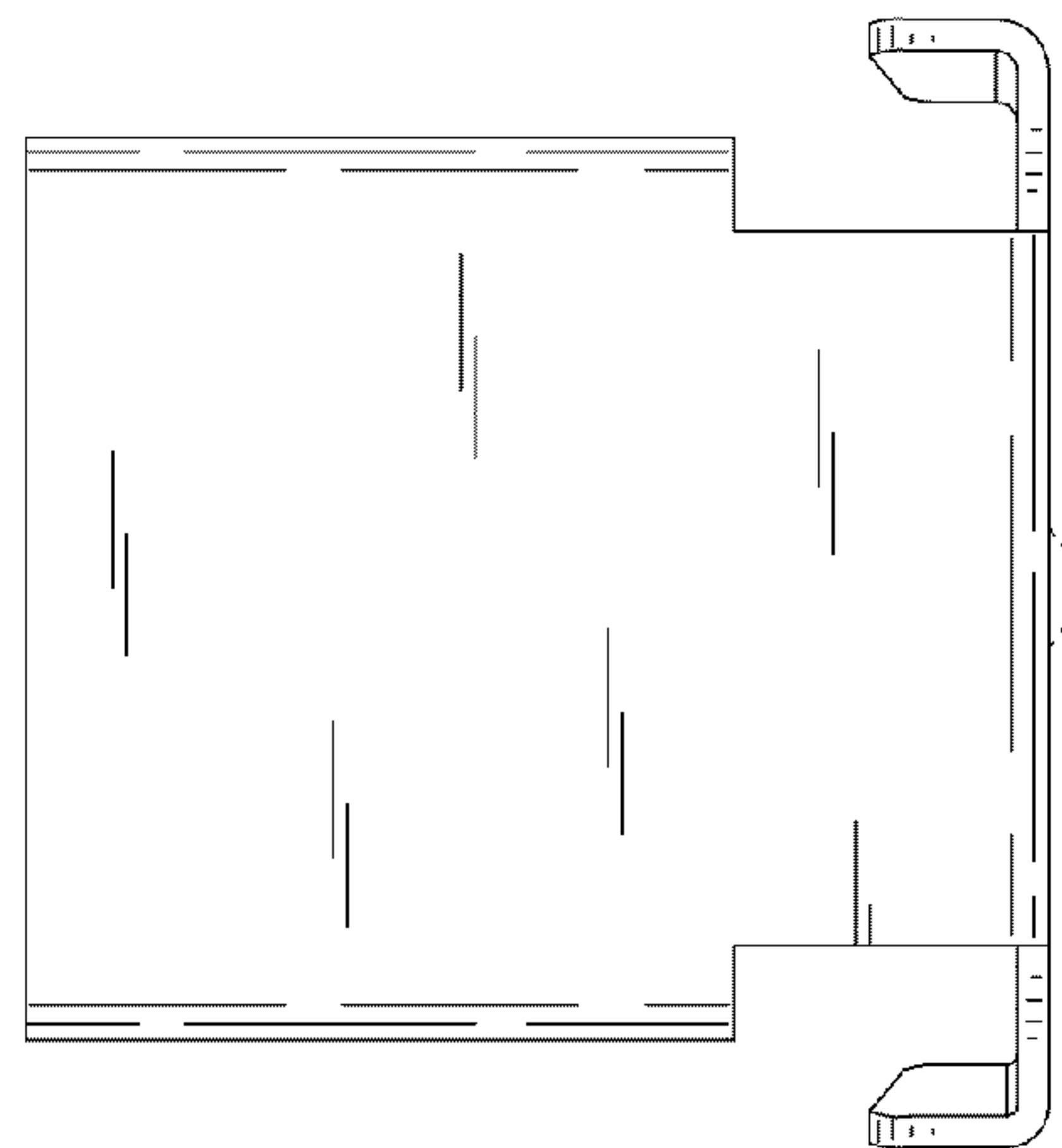


FIG. 7