

US00D732929S

(12) **United States Design Patent**
Harrow

(10) **Patent No.:** **US D732,929 S**
(45) **Date of Patent:** **** Jun. 30, 2015**

(54) **SLIDEABLE CONNECTOR COMPONENT**

Primary Examiner — Holly Baynham

(71) Applicant: **Lawrence Harrow**, Commerce, CA (US)

(74) *Attorney, Agent, or Firm* — John J. Connors; Connors & Assoc. pc

(72) Inventor: **Lawrence Harrow**, Commerce, CA (US)

(57) **CLAIM**

The ornamental design for the slideable connector component, as shown and described.

(**) Term: **14 Years**

DESCRIPTION

(21) Appl. No.: **29/449,239**

(22) Filed: **Mar. 14, 2013**

FIG. 1 is a front perspective view of one embodiment of my slideable connector component.

(51) **LOC (10) Cl.** **08-05**

FIG. 2 is a rear perspective view of my slideable connector component shown in FIG. 1.

(52) **U.S. Cl.**

USPC **D8/354**

FIG. 3 is a top plan view of the embodiment of my slideable connector component shown in FIG. 1.

(58) **Field of Classification Search**

USPC D8/349, 354

FIG. 4 is a front view of the embodiment of my slideable connector component shown in FIG. 1.

CPC A47F 5/00; A47H 1/10; E04G 5/06;

A47G 29/00; A47G 29/08; A47B 97/00;

H02G 3/123; B60R 2011/0005; B60K

2350/941; B60K 37/04

See application file for complete search history.

FIG. 5 is a left side elevation view of the embodiment of my slideable connector component shown in FIG. 1, and the right side is a mirror image of the left side.

(56) **References Cited**

U.S. PATENT DOCUMENTS

D660,133 S * 5/2012 Yoder et al. D8/354

D699,549 S * 2/2014 Giessmann et al. D8/380

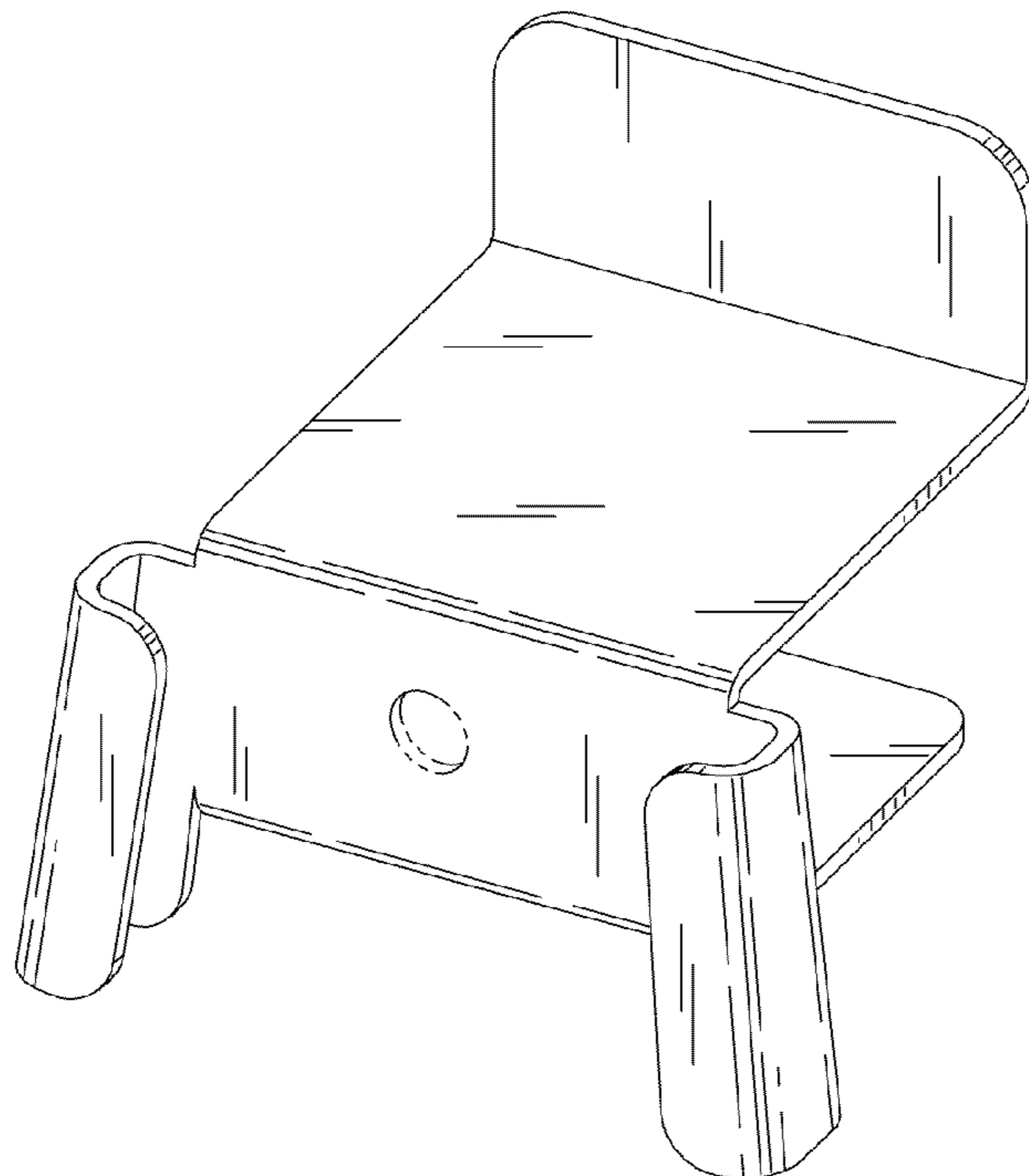
FIG. 6 is a rear view of the embodiment of my slideable connector component shown in FIG. 1; and,

FIG. 7 is a bottom plan view of the embodiment of my slideable connector component shown in FIG. 1.

The broken lines showing an opening are for the purposes of illustrating environment and form no part of the claimed design.

* cited by examiner

1 Claim, 2 Drawing Sheets



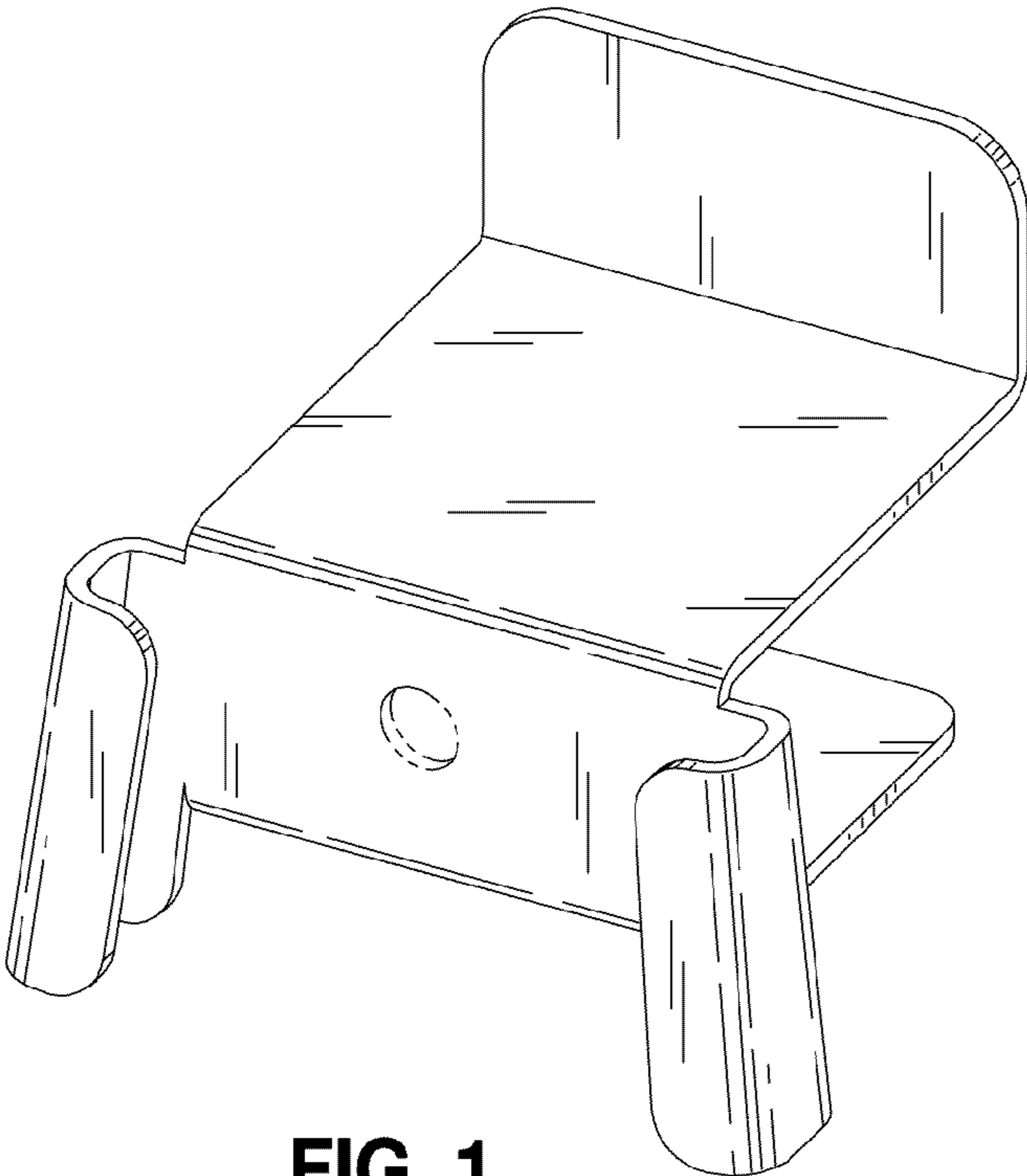


FIG. 1

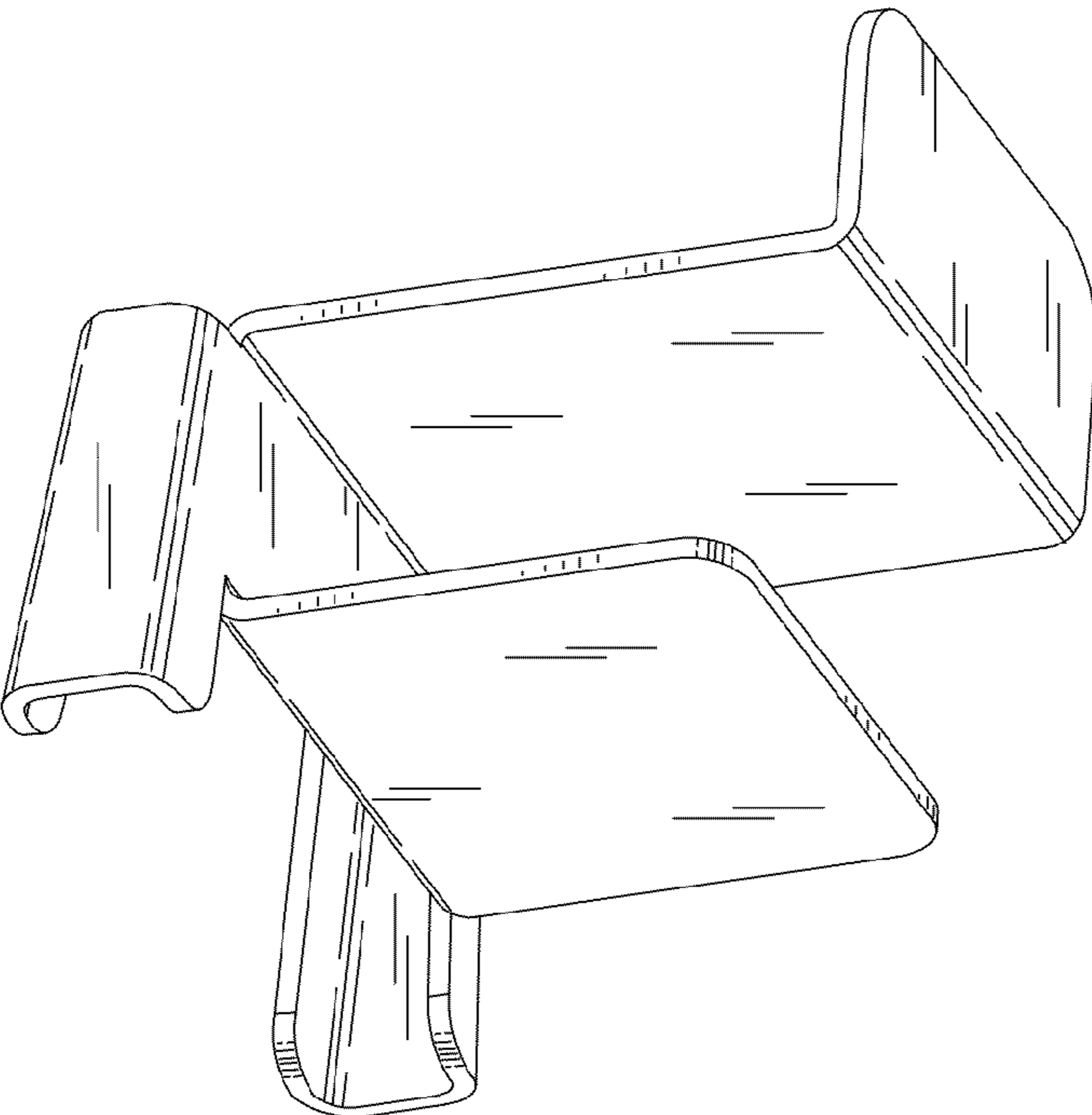


FIG. 2

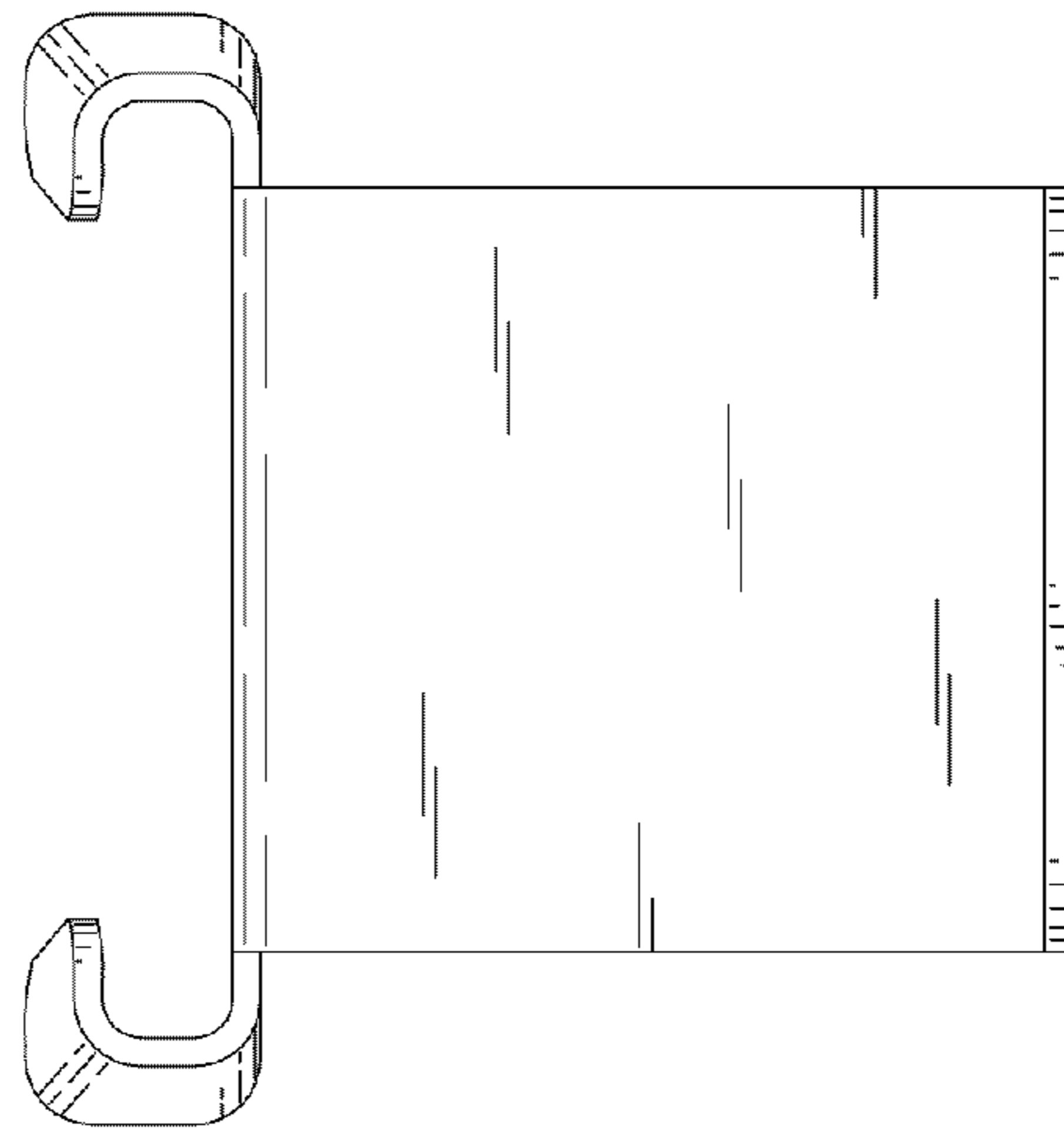


FIG. 3

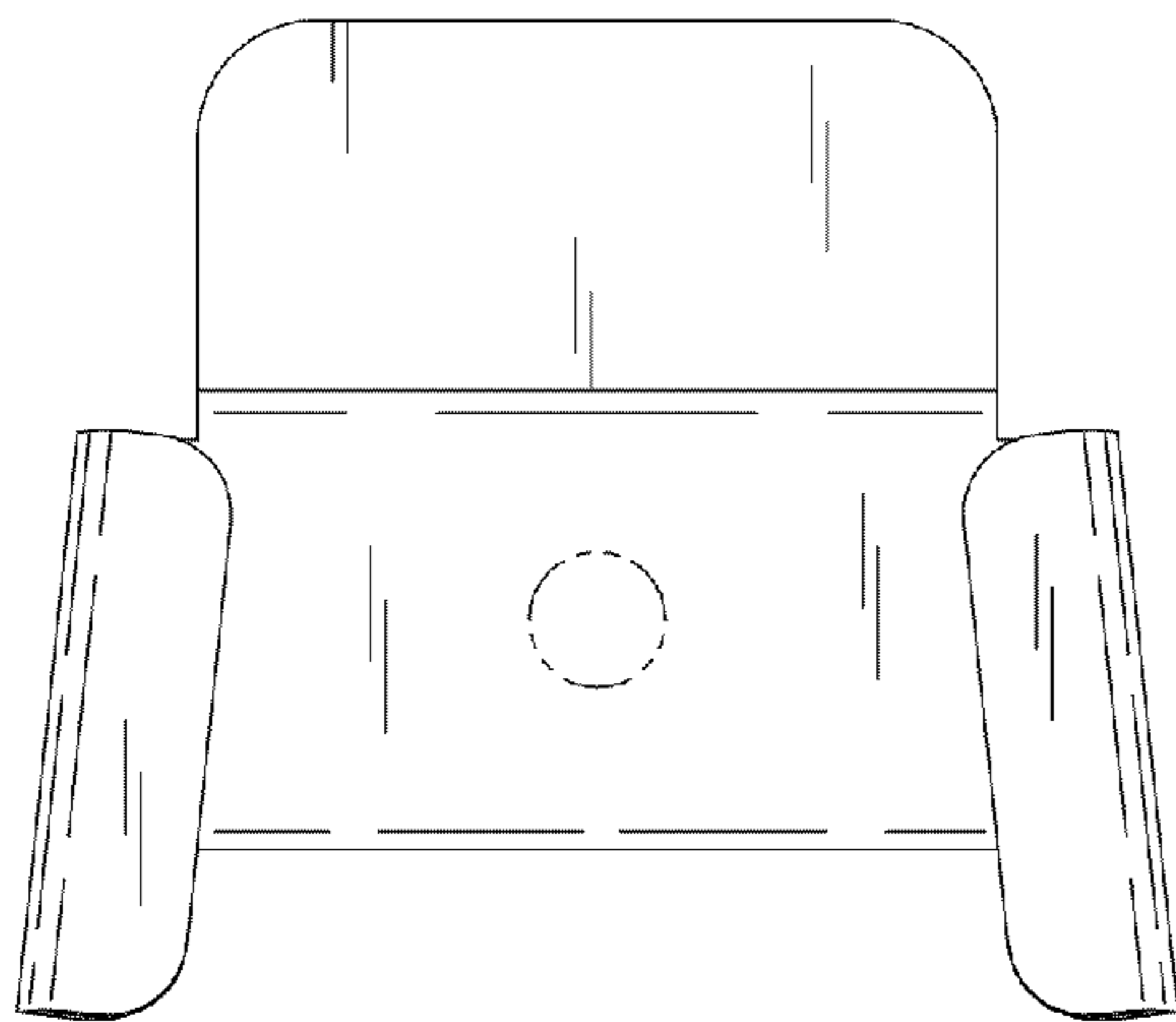


FIG. 4

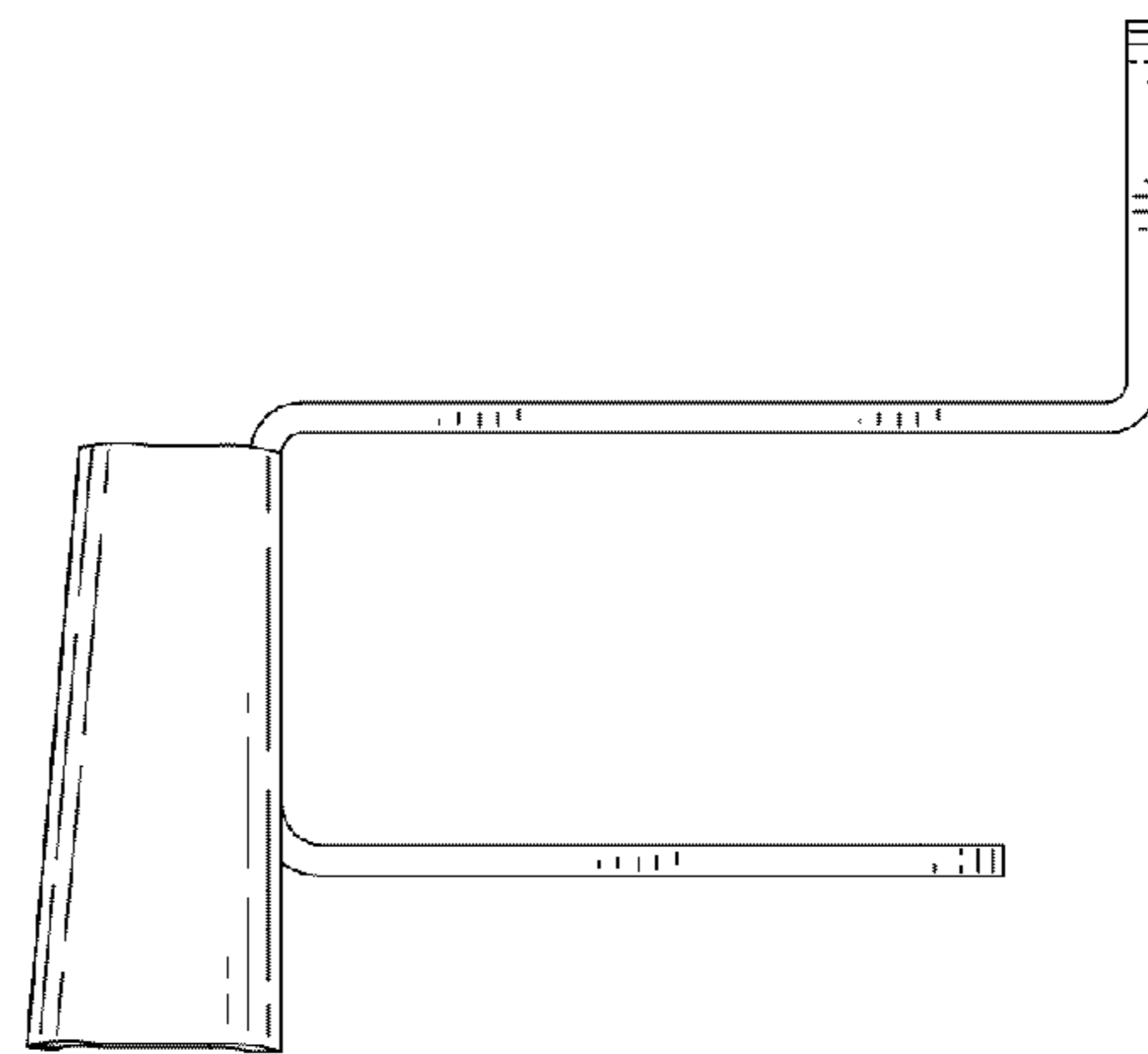


FIG. 5

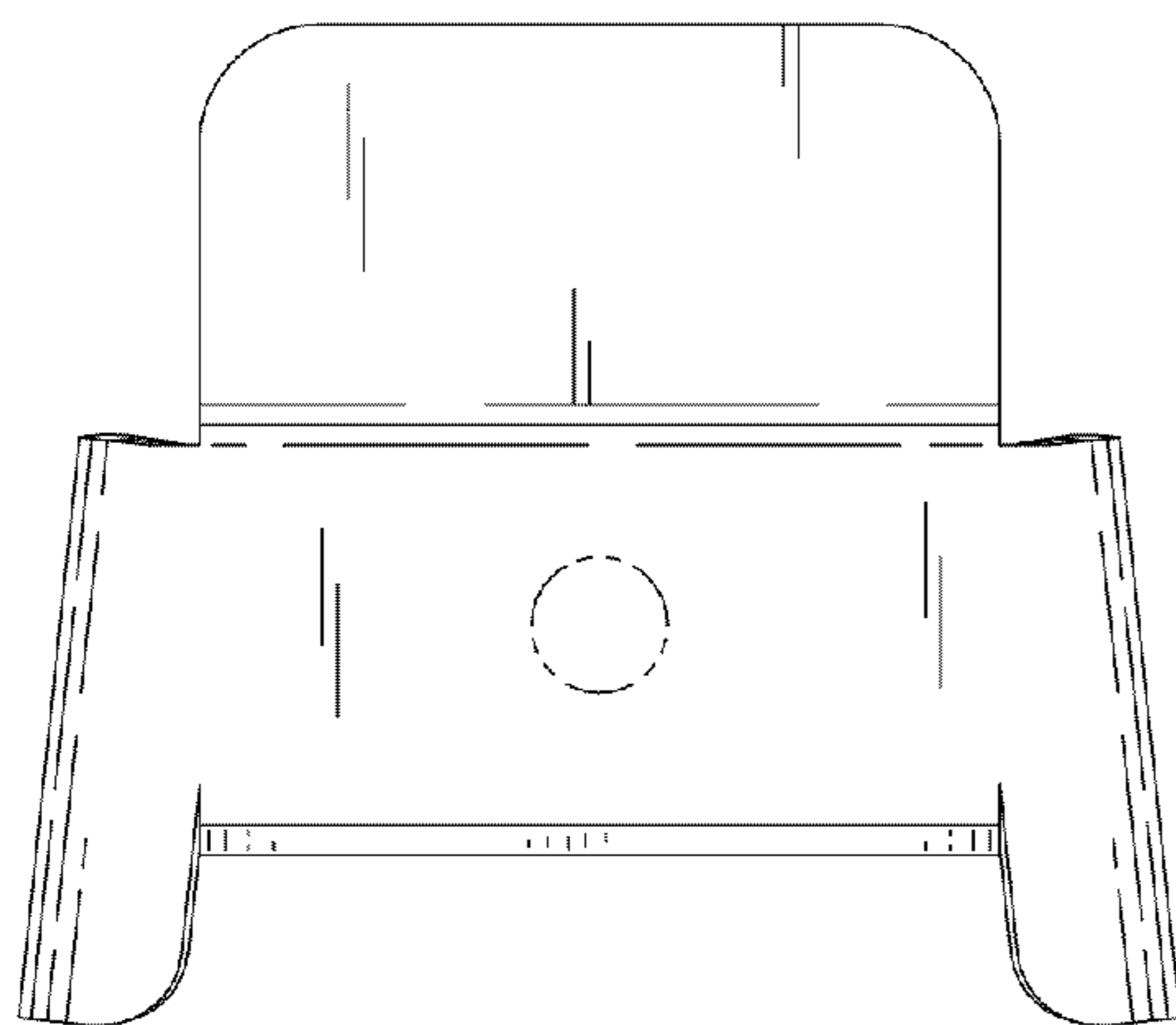


FIG. 6

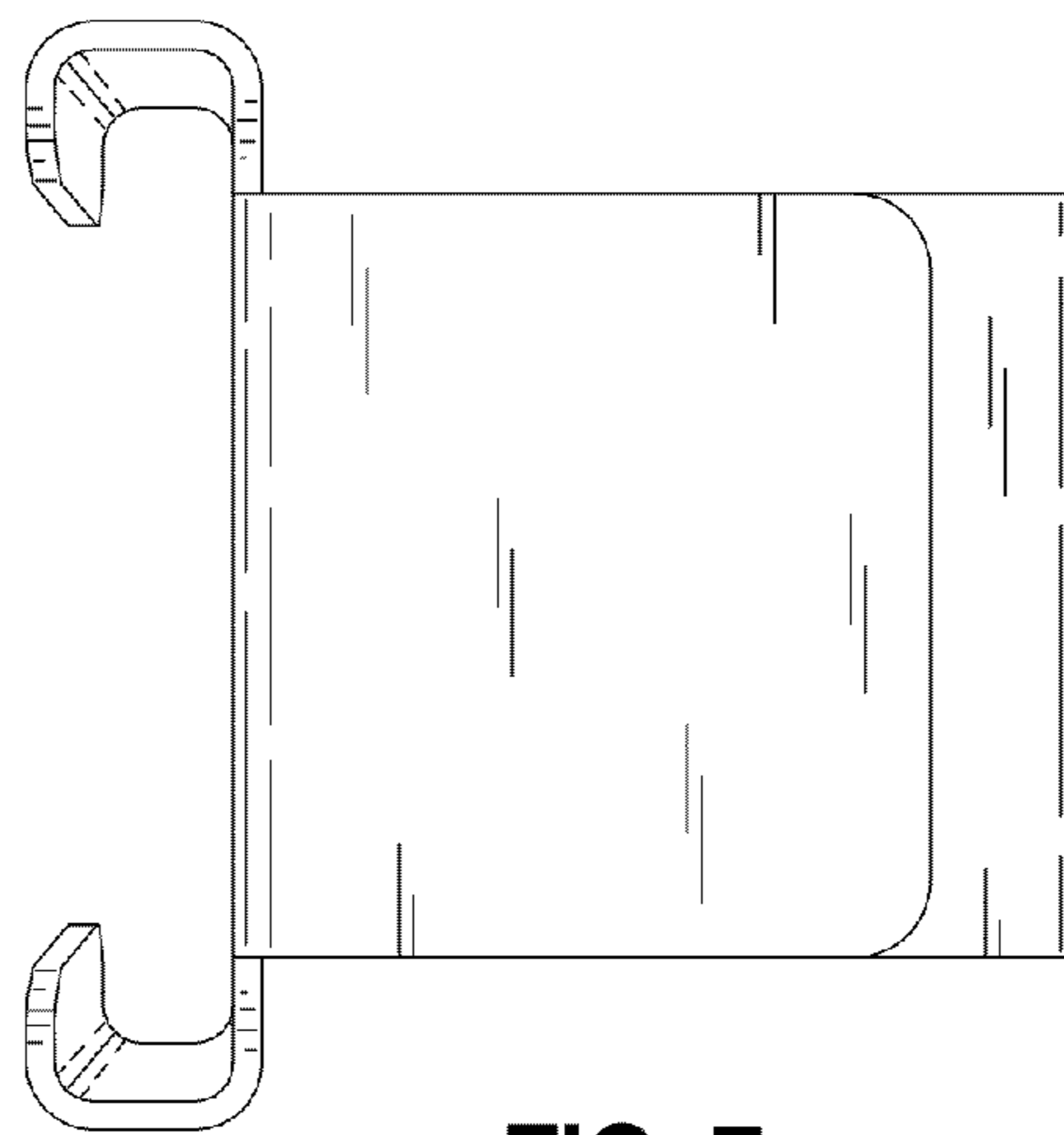


FIG. 7