



US00D732927S

(12) **United States Design Patent**
Booth et al.

(10) **Patent No.:** **US D732,927 S**
(45) **Date of Patent:** **** Jun. 30, 2015**

(54) **MOUNTING BRACKET HANGING PLATE**

(71) Applicant: **Thule IP AB**, Malmo (SE)

(72) Inventors: **Campbell A. Booth**, Dunedin (NZ);
Patrick D. Maguire, Dunedin (NZ);
Michael Noer, Stillwater, MN (US)

(73) Assignee: **Thule IP AB**, Malmo (SE)

(**) Term: **14 Years**

(21) Appl. No.: **29/436,385**

(22) Filed: **Nov. 5, 2012**

(51) **LOC (10) Cl.** **08-05**

(52) **U.S. Cl.**
USPC **D8/354; D8/349**

(58) **Field of Classification Search**
USPC D8/349, 354, 355, 363, 382, 499;
D14/208, 209.1, 217, 238.1, 243,
D14/250-253, 434, 440, 447, 496,
D14/203.3-203.7, 248, 240, 341-347;
D3/201, 215, 218, 226, 269, 273, 301,
D3/303; D19/90; D6/553; D12/223, 407;
206/305, 320; 320/108, 115; 429/96;
220/4.02; 379/426, 446, 455, 433.1;
248/309.1, 371, 176.3, 668; 224/411;
455/575.1, 575.8

See application file for complete search history.

(56) **References Cited**

U.S. PATENT DOCUMENTS

D335,814 S * 5/1993 Dabandjian D8/343
D371,861 S * 7/1996 Stamm D26/140
D395,996 S * 7/1998 Fischer D8/349
D408,715 S * 4/1999 Shoemaker, Jr. D8/354
D433,616 S * 11/2000 Fischer D8/355
D450,187 S 11/2001 King
6,390,427 B1 * 5/2002 McConnell et al. 248/231.61
D464,250 S * 10/2002 Warner et al. D8/355

D473,129 S * 4/2003 Warner et al. D8/396
D482,597 S * 11/2003 Brass et al. D8/354
D492,577 S * 7/2004 Shindo D8/354
D560,022 S * 1/2008 Niece D26/138
7,467,770 B2 * 12/2008 Niece 248/230.5
D611,710 S 3/2010 Paik
D616,727 S * 6/2010 Chou D8/354
8,132,764 B2 * 3/2012 Kuipers 248/74.3
D698,154 S 1/2014 Ford
2010/0200715 A1 * 8/2010 Kuipers 248/221.11
2013/0170823 A1 * 7/2013 McDonald et al. 396/428

OTHER PUBLICATIONS

U.S. Appl. No. 29/436,382, filed Nov. 5, 2012, Booth et al.
U.S. Appl. No. 29/436,384, filed Nov. 5, 2012, Booth et al.
U.S. Appl. No. 29/436,386, filed Nov. 5, 2012, Booth et al.
Notice of Allowance for U.S. Appl. No. 29/475,759 mailed Nov. 14,
2014, 8 pages.
U.S. Appl. No. 29/475,759, filed Dec. 6, 2013, Booth et al.

* cited by examiner

Primary Examiner — Mark Goodwin
(74) *Attorney, Agent, or Firm* — Sheridan Ross P.C.

(57) **CLAIM**

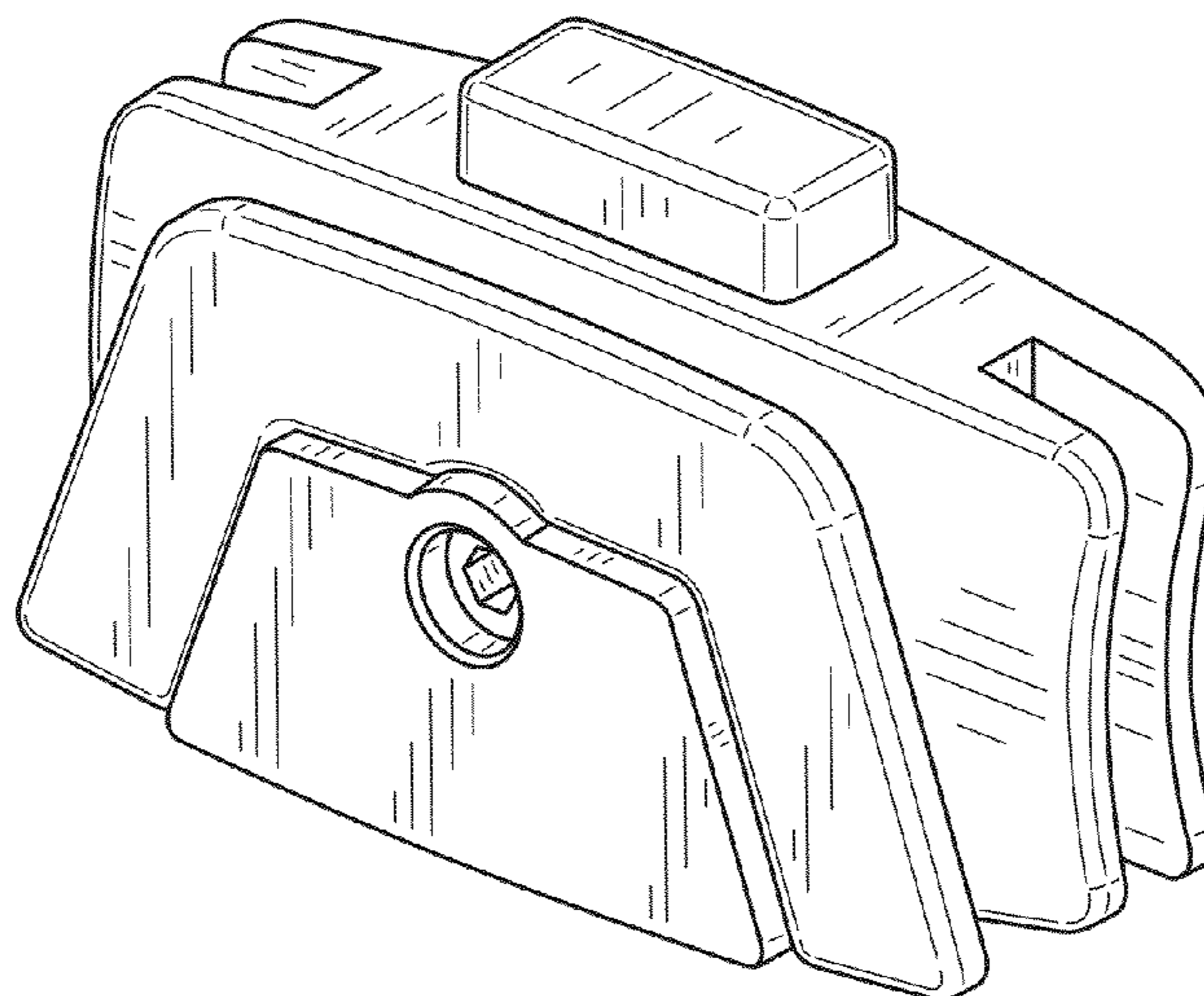
The ornamental design for a mounting bracket hanging plate,
as shown and described.

DESCRIPTION

FIG. 1 is a front perspective view of the panel portion for a
mounting bracket hanging plate;
FIG. 2 is a front elevation view thereof;
FIG. 3 is a top plan view thereof;
FIG. 4 is a bottom plan view thereof;
FIG. 5 is a rear elevation view thereof;
FIG. 6 is a right elevation view thereof; and,
FIG. 7 is a left elevation view thereof.

The broken lines showing a mounting bracket hanging plate
are included for the purpose of illustrating environment and
form no part of the claimed design.

1 Claim, 3 Drawing Sheets



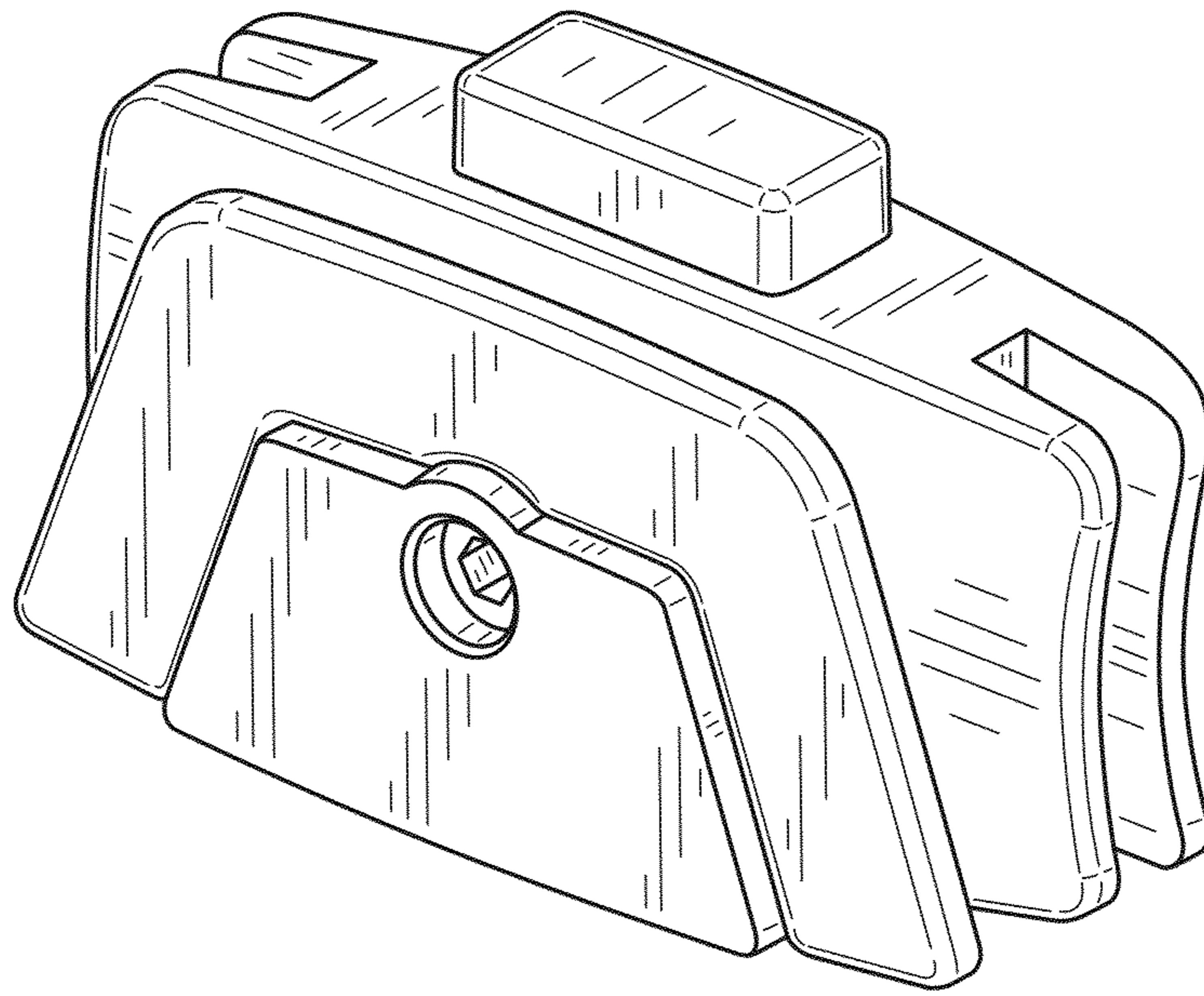


FIG. 1

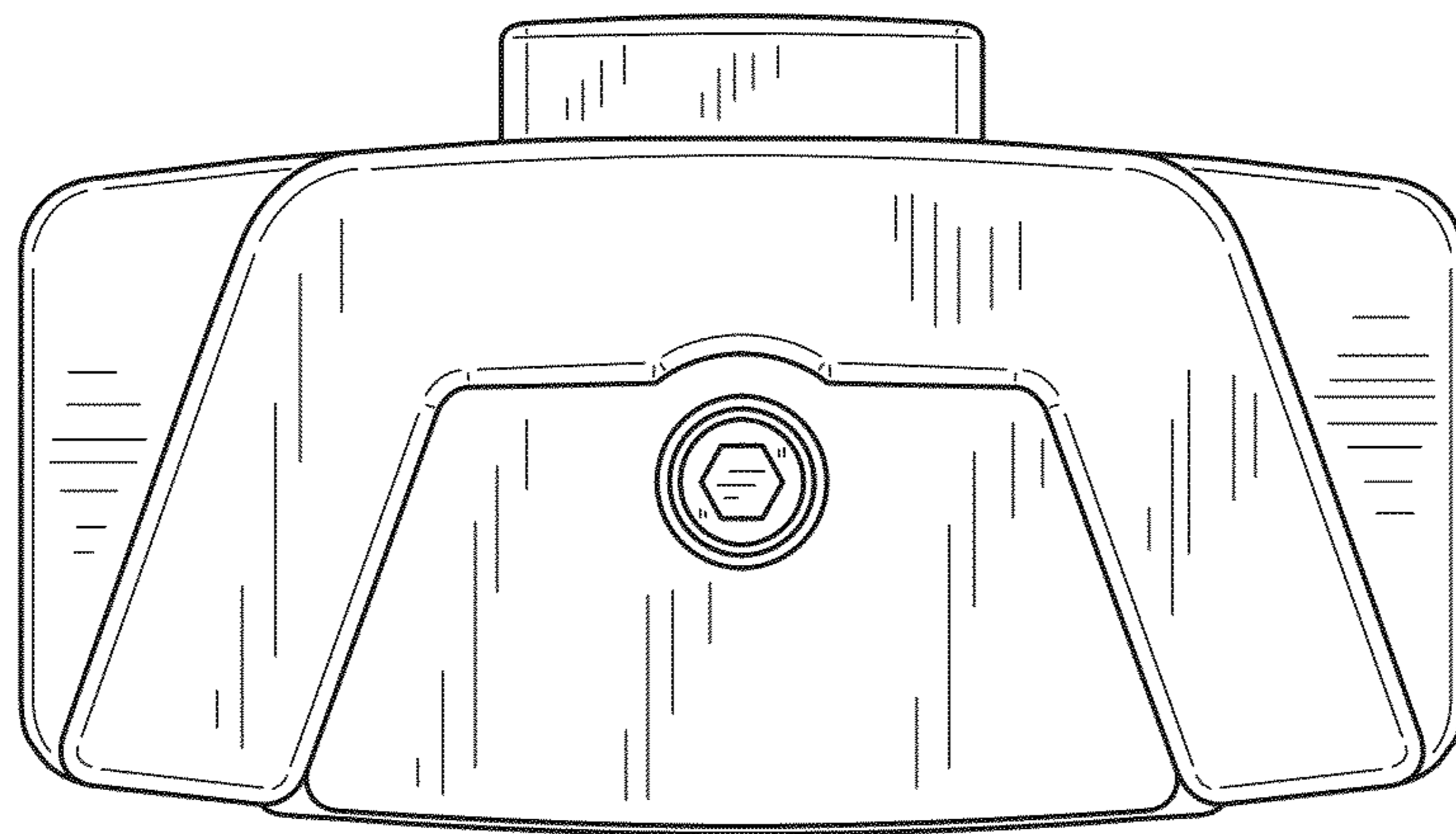


FIG. 2

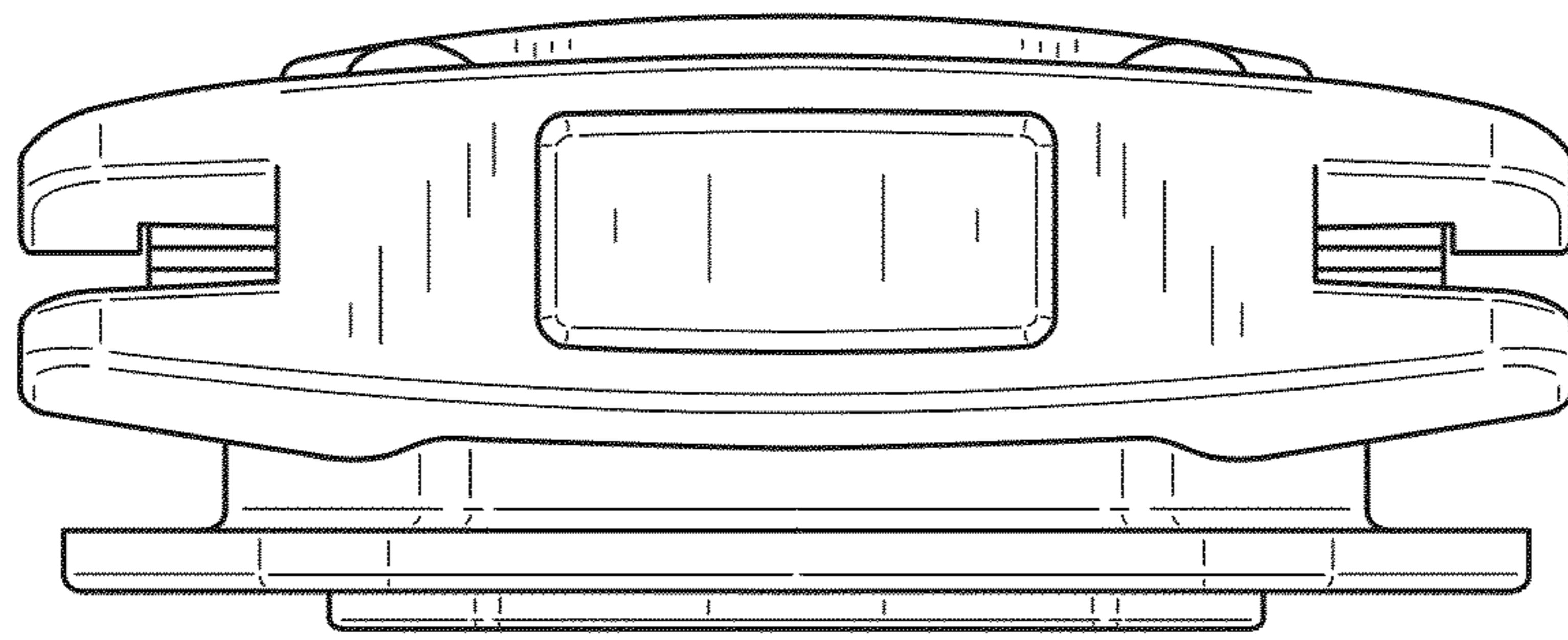


FIG.3

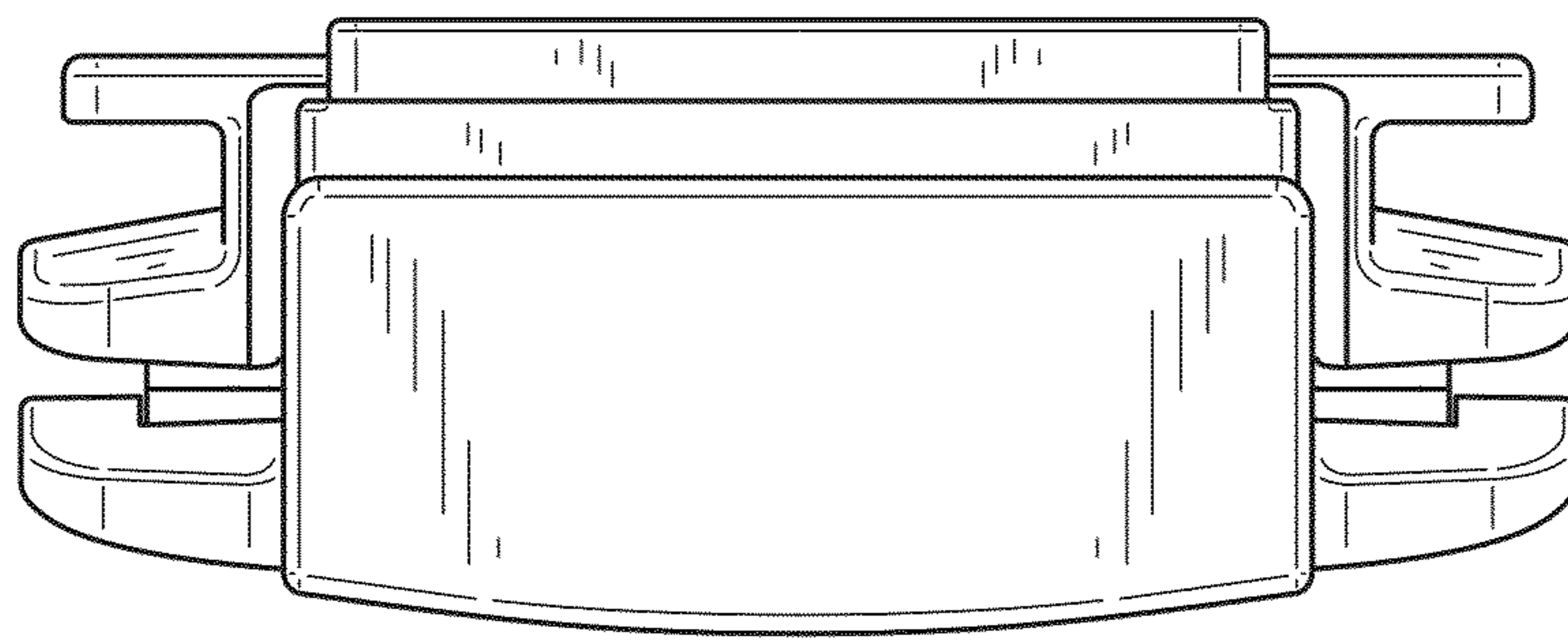


FIG.4

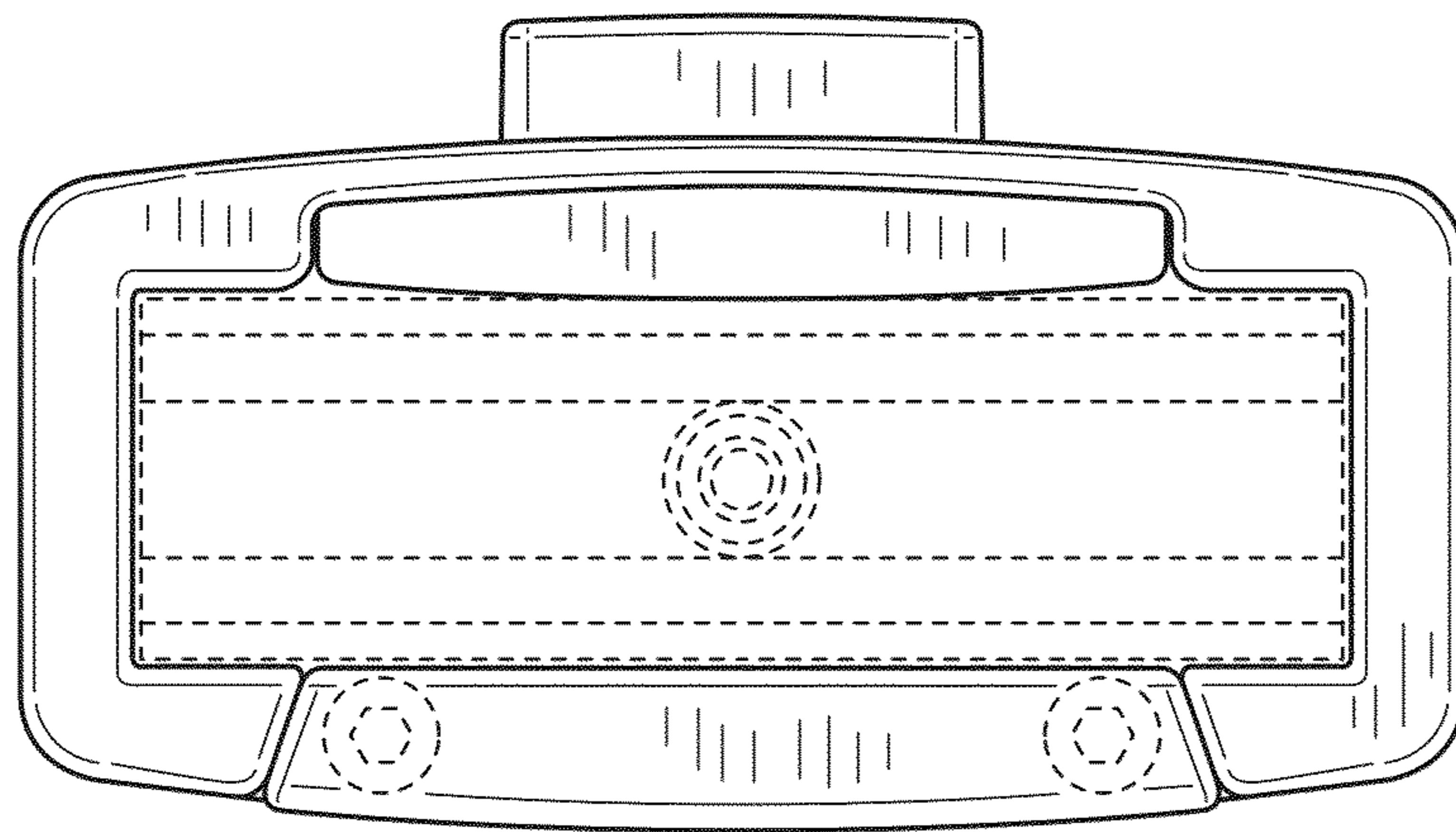


FIG.5

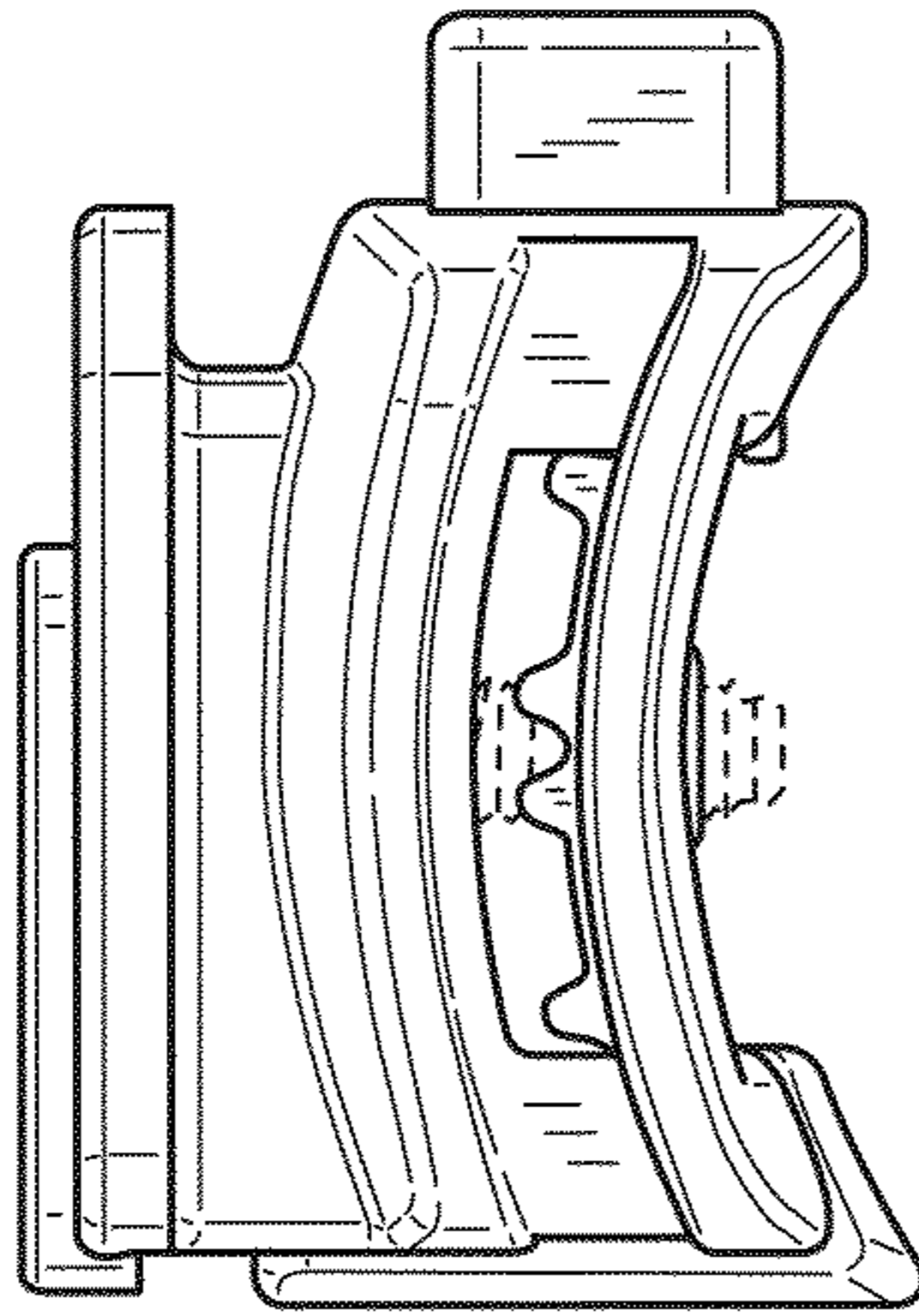


FIG. 6

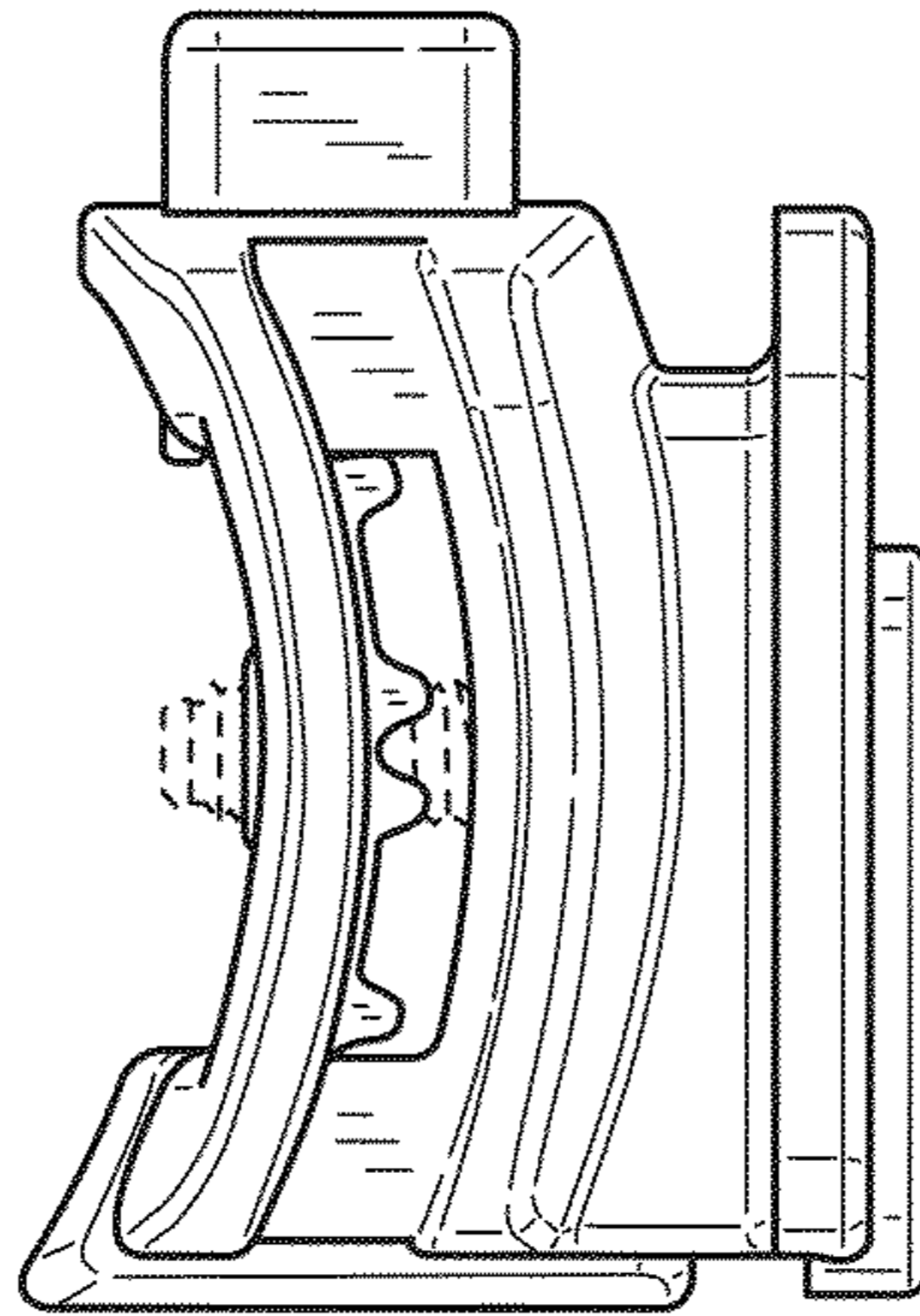


FIG. 7