

US00D732926S

(12) **United States Design Patent**  
**Booth et al.**

(10) **Patent No.:** **US D732,926 S**  
(45) **Date of Patent:** **\*\* Jun. 30, 2015**

(54) **MOUNTING BRACKET ASSEMBLY**

(71) Applicant: **Thule IP AB**, Malmo (SE)

(72) Inventors: **Campbell A. Booth**, Dunedin (NZ);  
**Patrick D. Maguire**, Dunedin (NZ);  
**Michael Noer**, Stillwater, MN (US)

(73) Assignee: **Thule IP AB**, Malmo (SE)

(\*\*) Term: **14 Years**

(21) Appl. No.: **29/436,382**

(22) Filed: **Nov. 5, 2012**

(51) **LOC (10) Cl.** ..... **08-05**

(52) **U.S. Cl.**  
USPC ..... **D8/354**; D8/349

(58) **Field of Classification Search**  
USPC ..... D8/349, 354, 355, 363, 382, 499;  
D14/208, 209.1, 217, 238.1, 243,  
D14/250-253, 434, 440, 447, 496,  
D14/203.3-203.7, 248, 240, 341-347;  
D3/201, 215, 218, 226, 269, 273, 301,  
D3/303; D19/90; D6/553; D12/223, 407;  
206/305, 320; 320/108, 115; 429/96;  
220/4.02; 379/426, 446, 455, 433.1;  
248/309.1, 371, 176.3, 668; 224/411;  
455/575.1, 575.8

See application file for complete search history.

(56) **References Cited**

**U.S. PATENT DOCUMENTS**

D335,814 S *	5/1993	Dabandjian	.....	D8/343
D371,861 S *	7/1996	Stamm	.....	D26/140
D395,996 S *	7/1998	Fischer	.....	D8/349
D408,715 S *	4/1999	Shoemaker, Jr.	.....	D8/354
D433,616 S *	11/2000	Fischer	.....	D8/355
D450,187 S	11/2001	King		
6,390,427 B1 *	5/2002	McConnell et al.	.....	248/231.61
D464,250 S *	10/2002	Warner et al.	.....	D8/355

D473,129 S *	4/2003	Warner et al.	.....	D8/396
D482,597 S *	11/2003	Brass et al.	.....	D8/354
D492,577 S *	7/2004	Shindo	.....	D8/354
D560,022 S *	1/2008	Niece	.....	D26/138
7,467,770 B2 *	12/2008	Niece	.....	248/230.5
D611,710 S	3/2010	Paik		
D616,727 S *	6/2010	Chou	.....	D8/354
8,132,764 B2 *	3/2012	Kuipers	.....	248/74.3
D698,154 S	1/2014	Ford		
2010/0200715 A1 *	8/2010	Kuipers	.....	248/221.11
2013/0170823 A1 *	7/2013	McDonald et al.	.....	396/428

**OTHER PUBLICATIONS**

U.S. Appl. No. 29/436,384, filed Nov. 5, 2012, Booth et al.  
U.S. Appl. No. 29/436,385, filed Nov. 5, 2012, Booth et al.  
U.S. Appl. No. 29/436,386, filed Nov. 5, 2012, Booth et al.  
Notice of Allowance for U.S. Appl. No. 29/475,759 mailed Nov. 14,  
2014, 8 pages.  
U.S. Appl. No. 29/475,759, filed Dec. 6, 2013, Booth et al.

\* cited by examiner

*Primary Examiner* — Mark Goodwin  
(74) *Attorney, Agent, or Firm* — Sheridan Ross P.C.

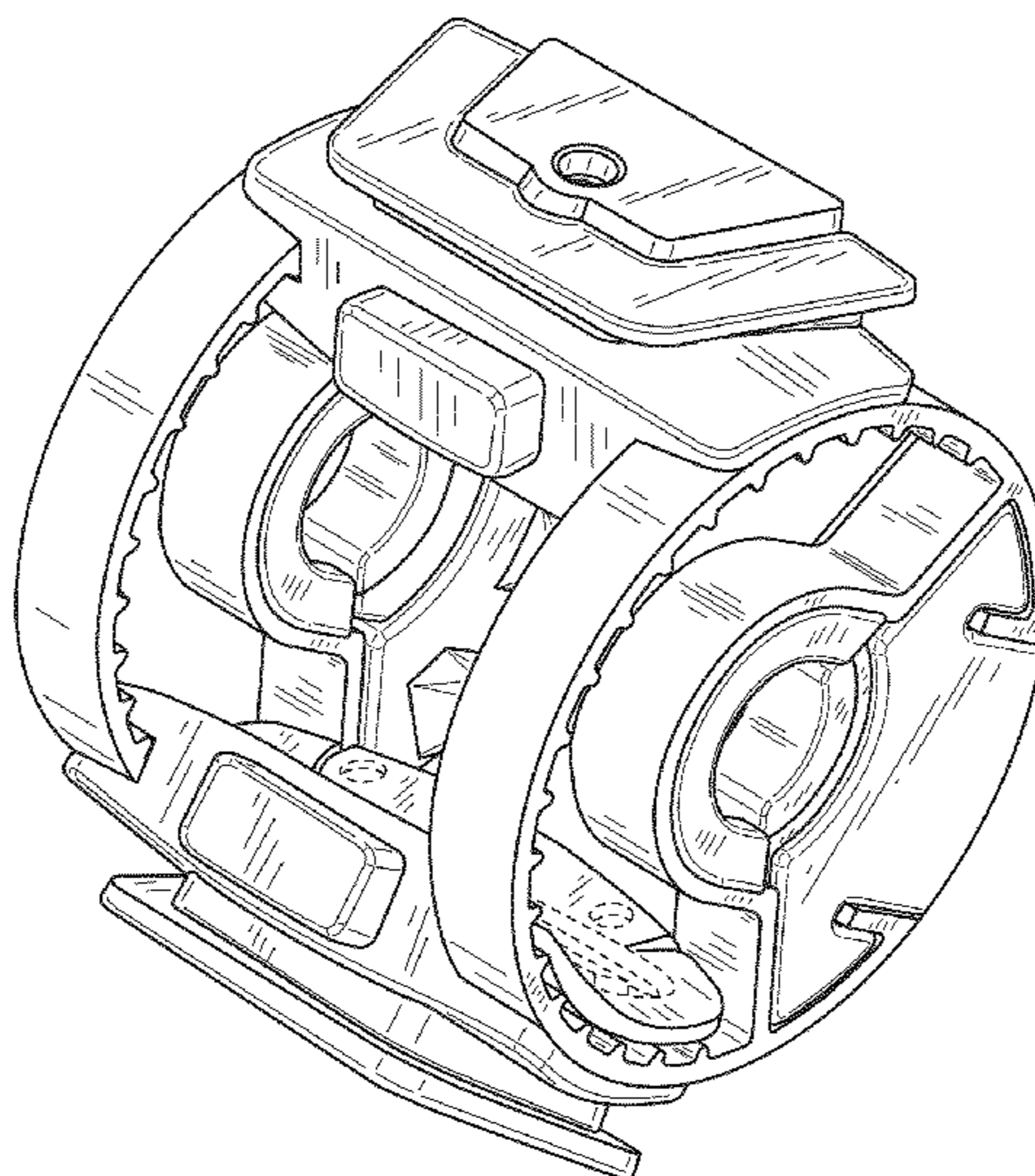
(57) **CLAIM**

The ornamental design for a mounting bracket assembly, as shown and described.

**DESCRIPTION**

FIG. 1 is a front perspective view of the mounting bracket assembly;  
FIG. 2 is a top plan view thereof;  
FIG. 3 is a front elevation view thereof;  
FIG. 4 is a left elevation view thereof;  
FIG. 5 is a right elevation view thereof;  
FIG. 6 is a rear elevation view thereof; and,  
FIG. 7 is a bottom plan view thereof.  
The broken line showing of a mounting bracket assembly is included for the purpose of illustrating environment and forms no part of the claimed design.

**1 Claim, 4 Drawing Sheets**



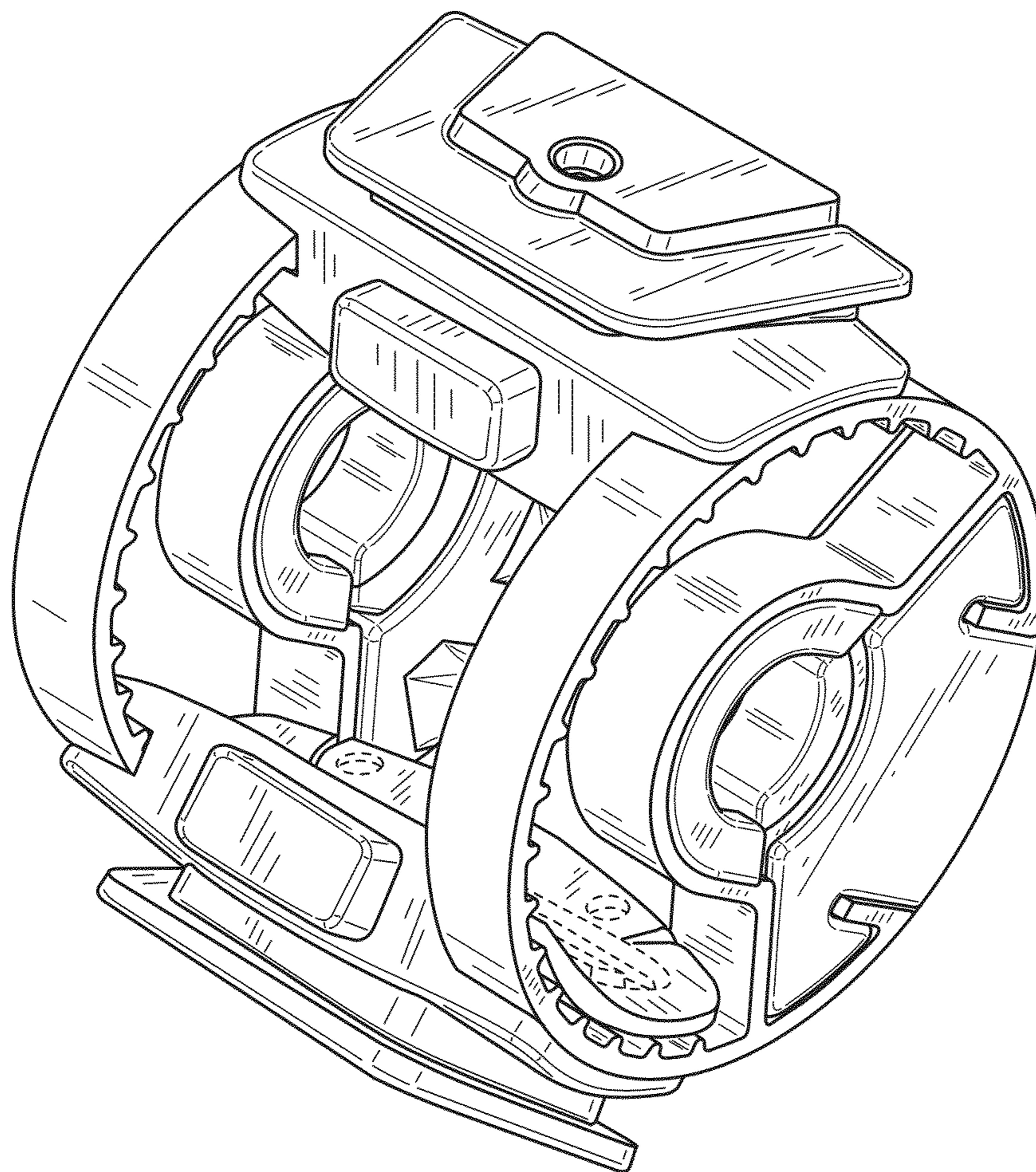


FIG.1

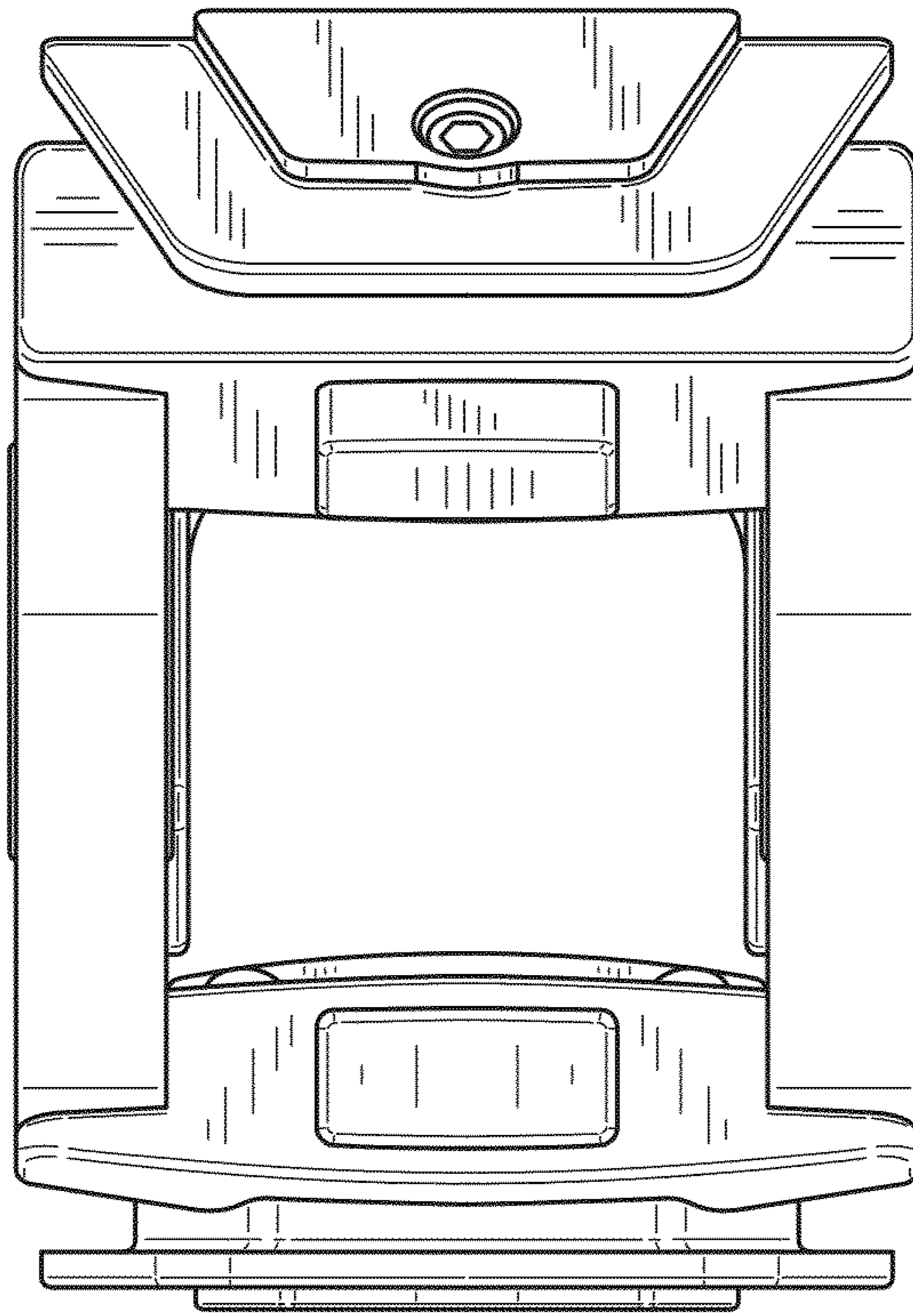


FIG. 2

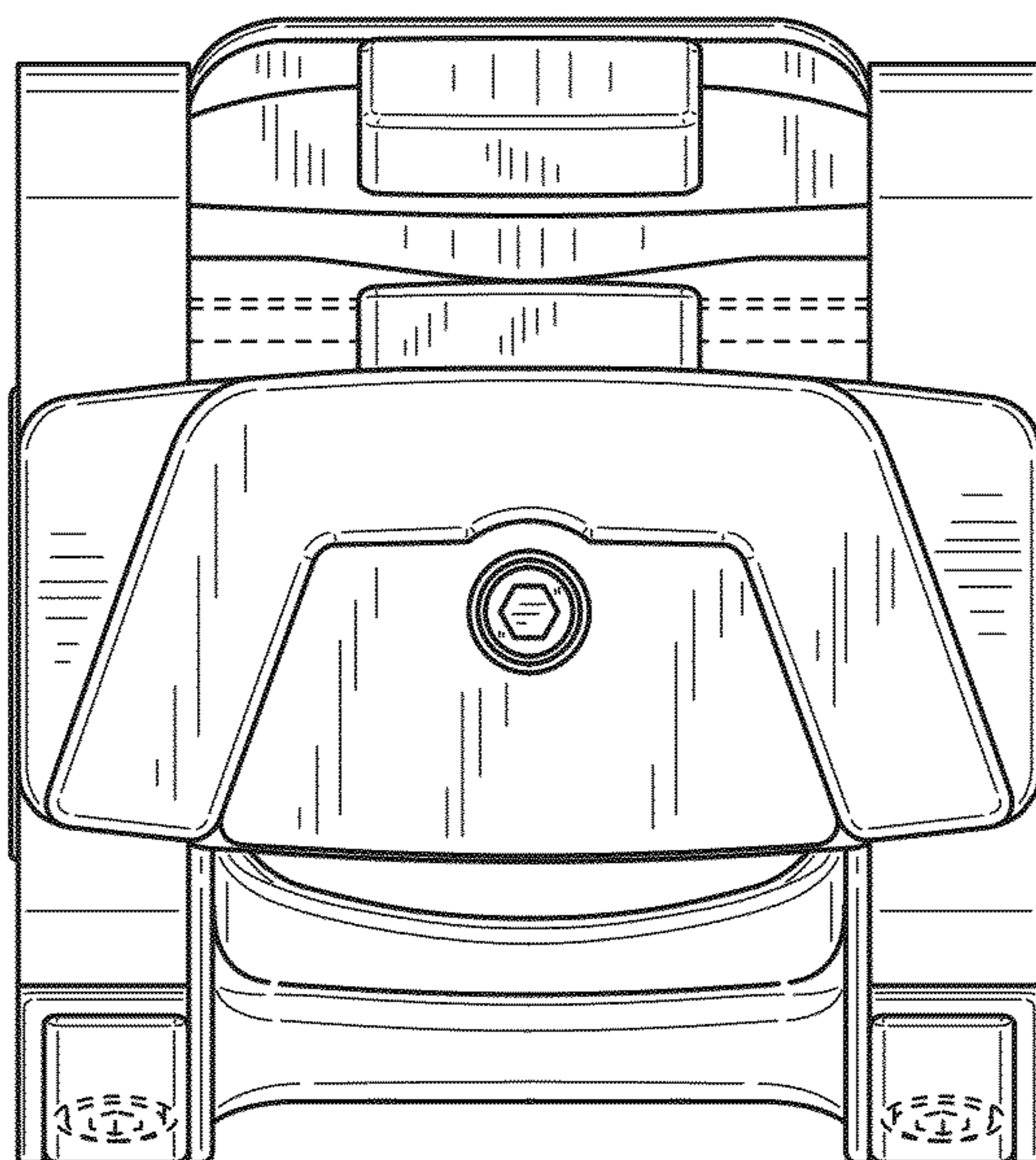


FIG. 3

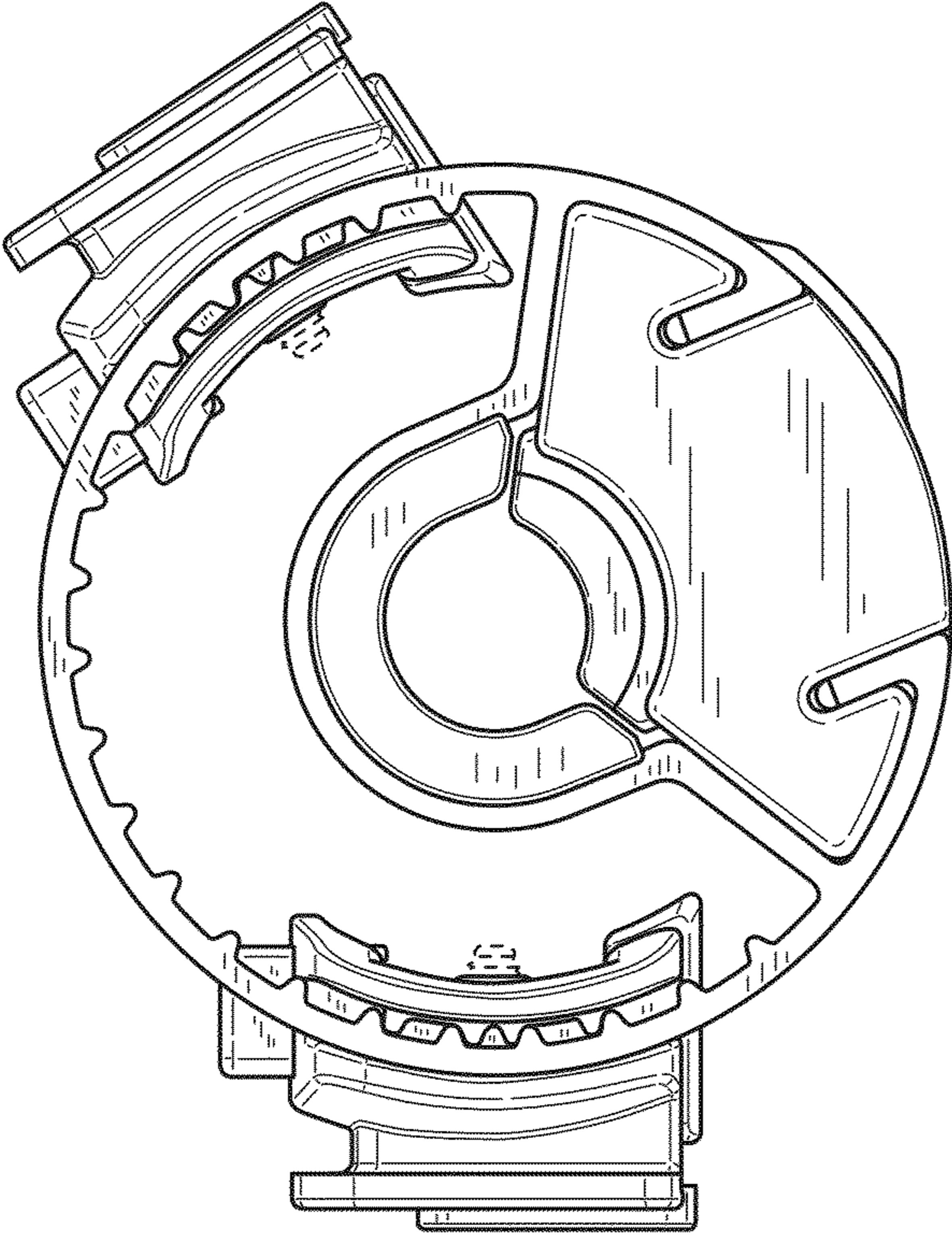


FIG.5

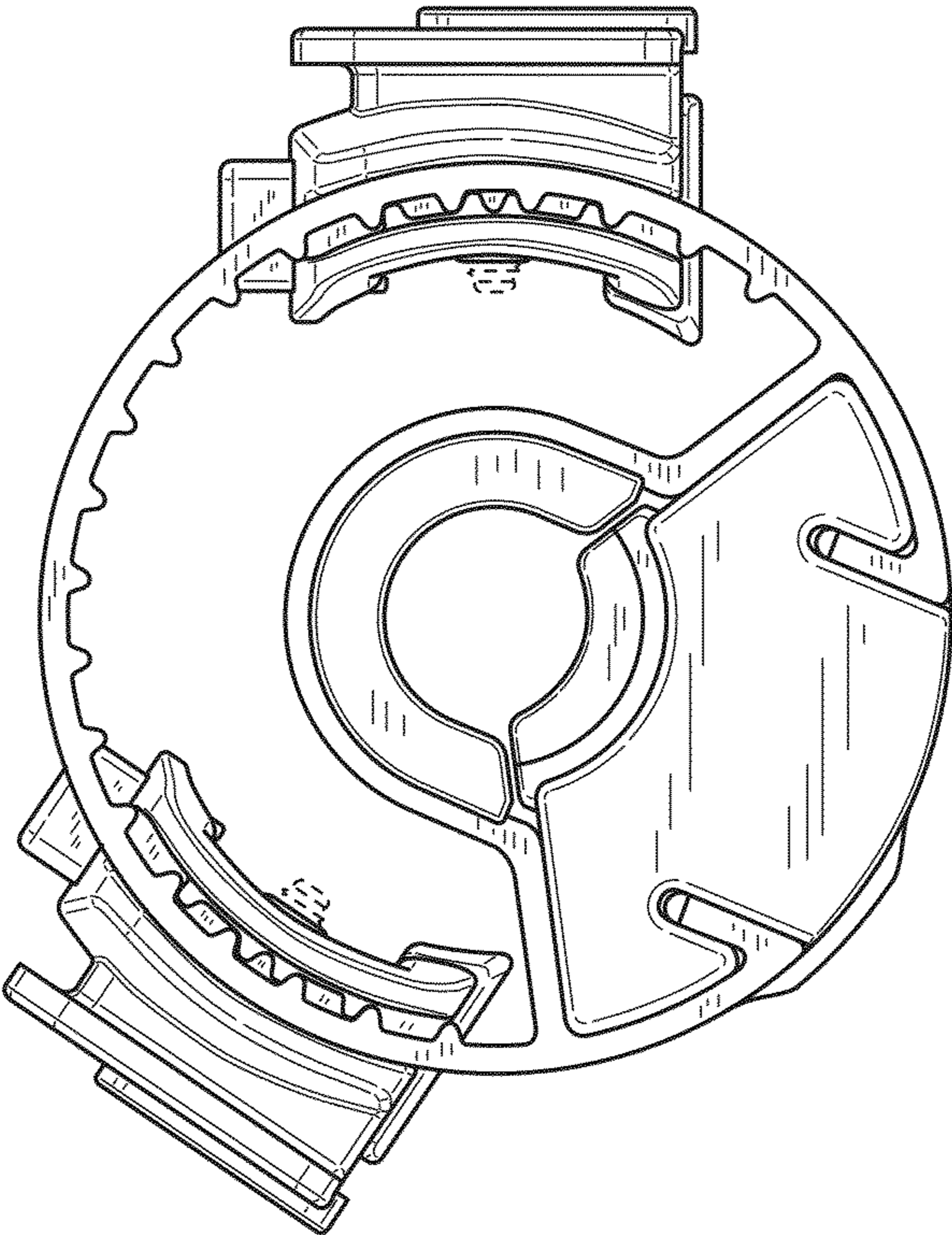


FIG.4

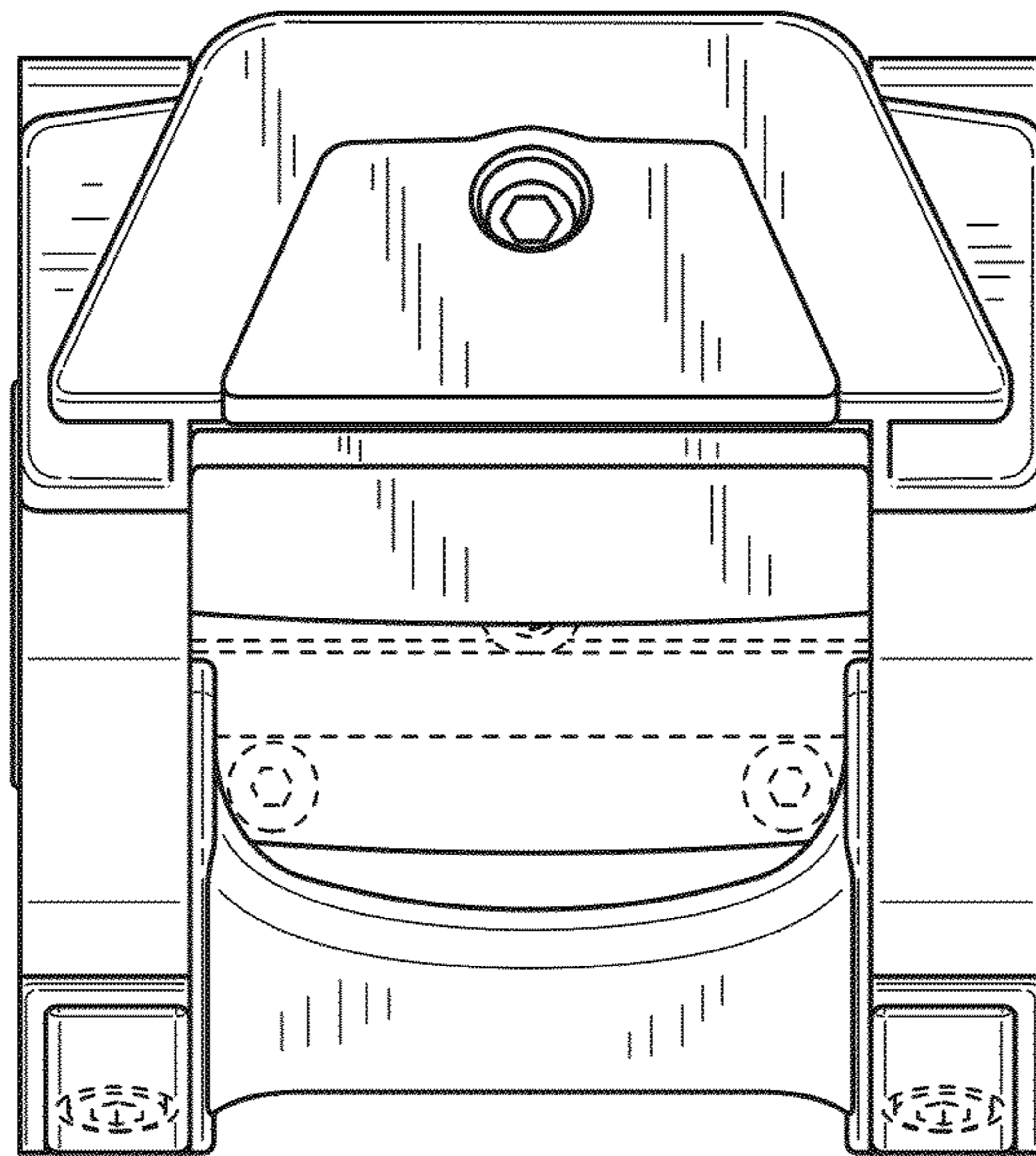


FIG. 6

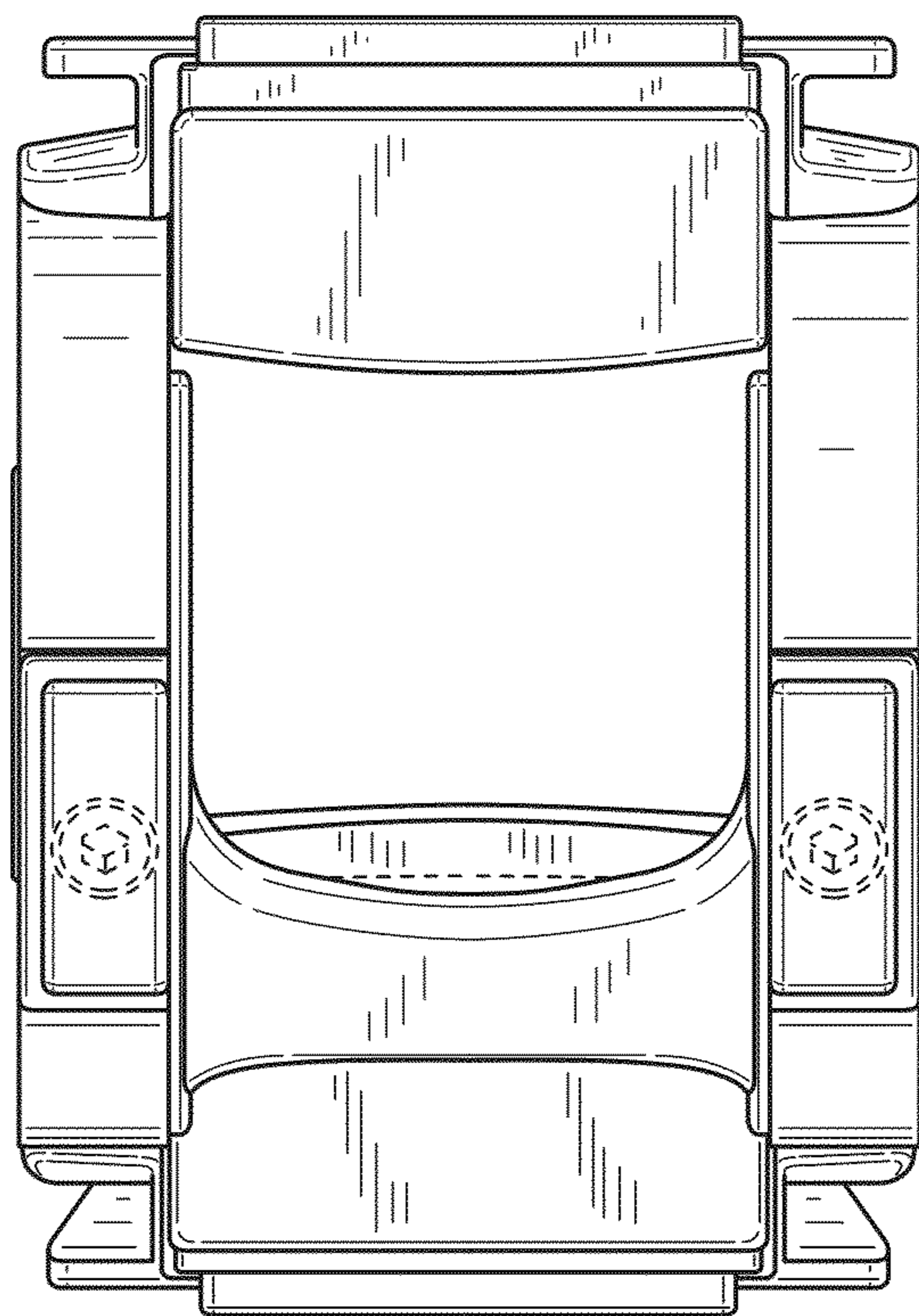


FIG. 7