



US00D732925S

(12) **United States Design Patent**
Lin

(10) **Patent No.:** **US D732,925 S**
(45) **Date of Patent:** **** Jun. 30, 2015**

- (54) **CONNECTOR OF MOLD**
- (71) Applicant: **CHERNG JIN TECHNOLOGY CO., LTD.**, Changhua County (TW)
- (72) Inventor: **Chien-Chih Lin**, Changhua County (TW)
- (73) Assignee: **CHERNG JIN TECHNOLOGY CO., LTD.**, Changhua, Changhua County (TW)
- (**) Term: **14 Years**
- (21) Appl. No.: **29/437,889**
- (22) Filed: **Nov. 21, 2012**
- (51) **LOC (10) Cl.** **08-08**
- (52) **U.S. Cl.**
USPC **D8/349; D8/382**
- (58) **Field of Classification Search**
USPC **D8/349, 382; D13/133; 403/403, 205, 403/231, 170, 172, 316**
See application file for complete search history.

D404,996 S *	2/1999	Ross	D8/382
D427,050 S *	6/2000	Bryan	D8/382
D467,790 S *	12/2002	Roberts et al.	D8/356
D494,054 S *	8/2004	Mine et al.	D8/382
D504,304 S *	4/2005	Hancock	D8/354
D583,224 S *	12/2008	Holdsworth	D8/382
D588,445 S *	3/2009	Holdsworth	D8/382
D615,847 S *	5/2010	Tezak et al.	D8/349
8,147,162 B1 *	4/2012	Burnett et al.	403/292
D683,467 S *	5/2013	Jensen et al.	D24/227
D703,031 S *	4/2014	Thach	D8/382

* cited by examiner

Primary Examiner — Mark Goodwin
(74) *Attorney, Agent, or Firm* — Ming Chow; Sinorica, LLC

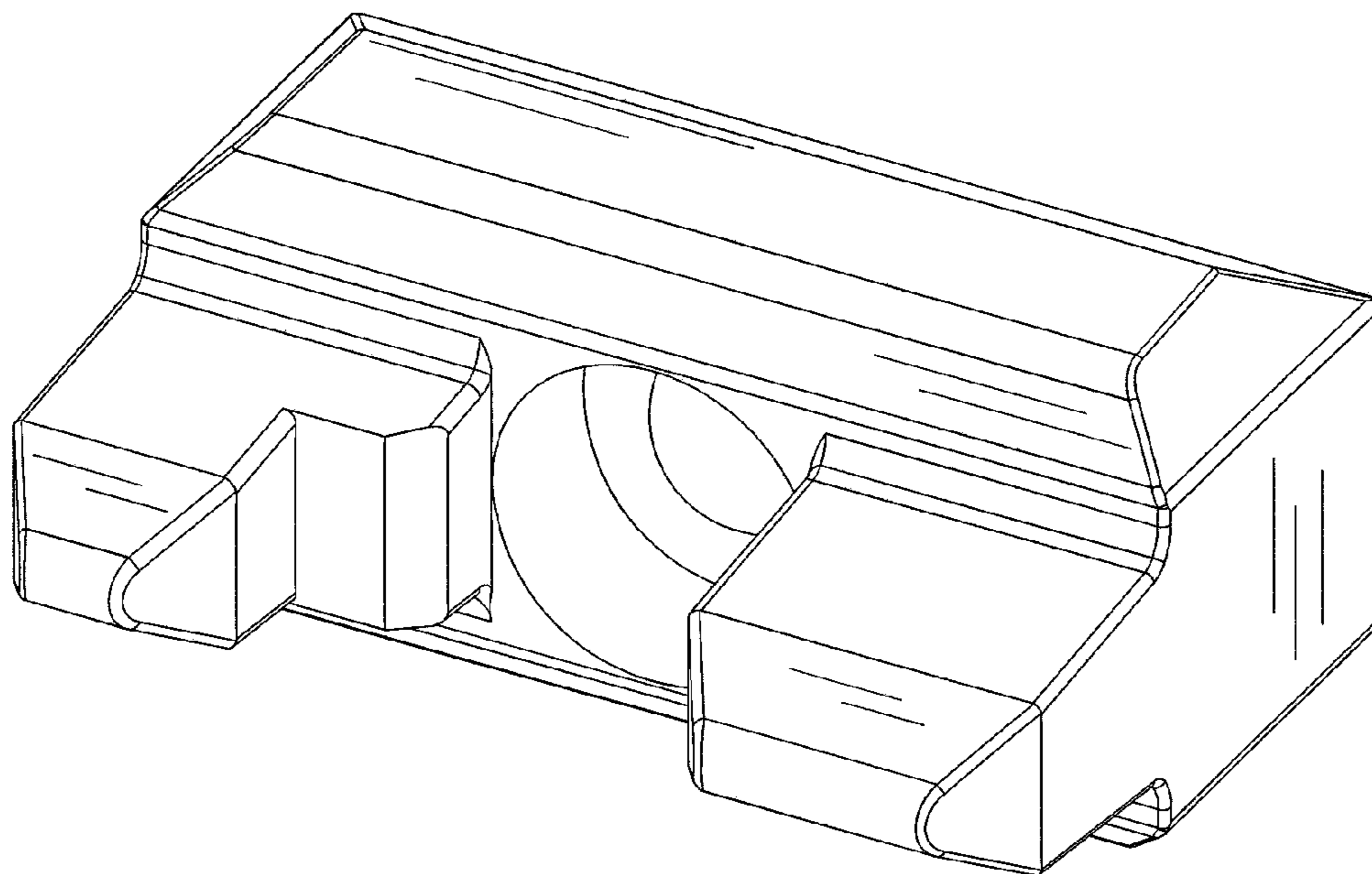
(57) **CLAIM**
The ornamental design for a connector of mold, as shown and described.

DESCRIPTION

FIG. 1 is a perspective view of a connector of mold showing my new design;
FIG. 2 is a right side view thereof;
FIG. 3 is a top view thereof;
FIG. 4 is a front view thereof;
FIG. 5 is a bottom view thereof;
FIG. 6 is a left side view thereof;
FIG. 7 is a rear view thereof; and,
FIG. 8 is a perspective view thereof showing the connector in use condition mounted on a mold.
The broken line showing of a mold and the extra connectors is included for the purpose of illustrating environmental structure only and forms no part of the claimed design.

1 Claim, 8 Drawing Sheets

- (56) **References Cited**
U.S. PATENT DOCUMENTS
- | | | | | |
|---------------|---------|-----------------|-------|---------|
| D234,811 S * | 4/1975 | Stentz | | D26/67 |
| D234,812 S * | 4/1975 | Stentz | | D26/67 |
| D234,813 S * | 4/1975 | Stentz | | D26/67 |
| 3,999,876 A * | 12/1976 | Manchester, Jr. | | 403/316 |
| D312,645 S * | 12/1990 | Moller et al. | | D15/136 |
| D317,927 S * | 7/1991 | Kern | | D15/135 |
| D371,504 S * | 7/1996 | Massie | | D8/349 |
| D384,271 S * | 9/1997 | Kozyrski | | D8/382 |
| D400,428 S * | 11/1998 | Sabounjian | | D8/382 |



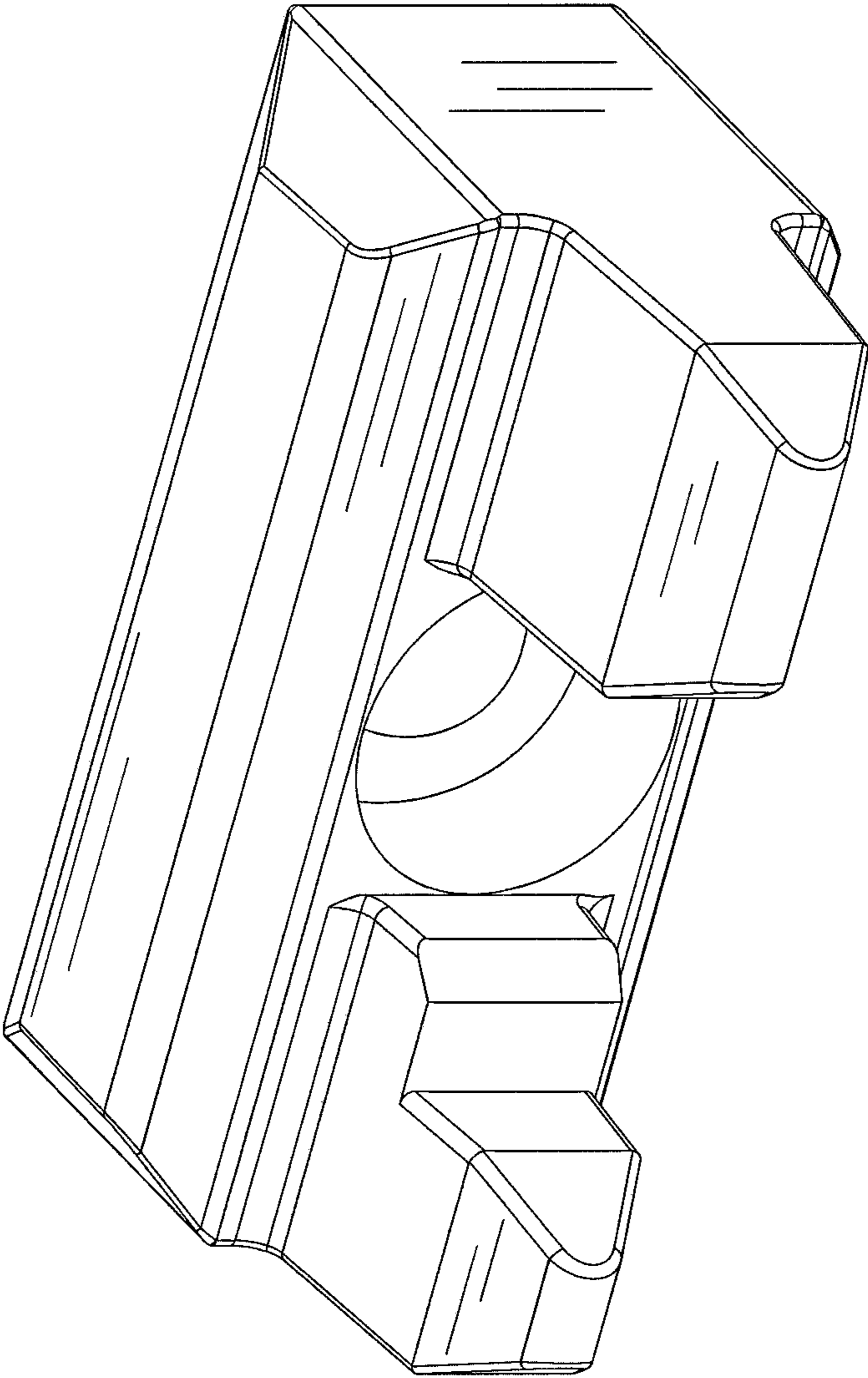


FIG. 1

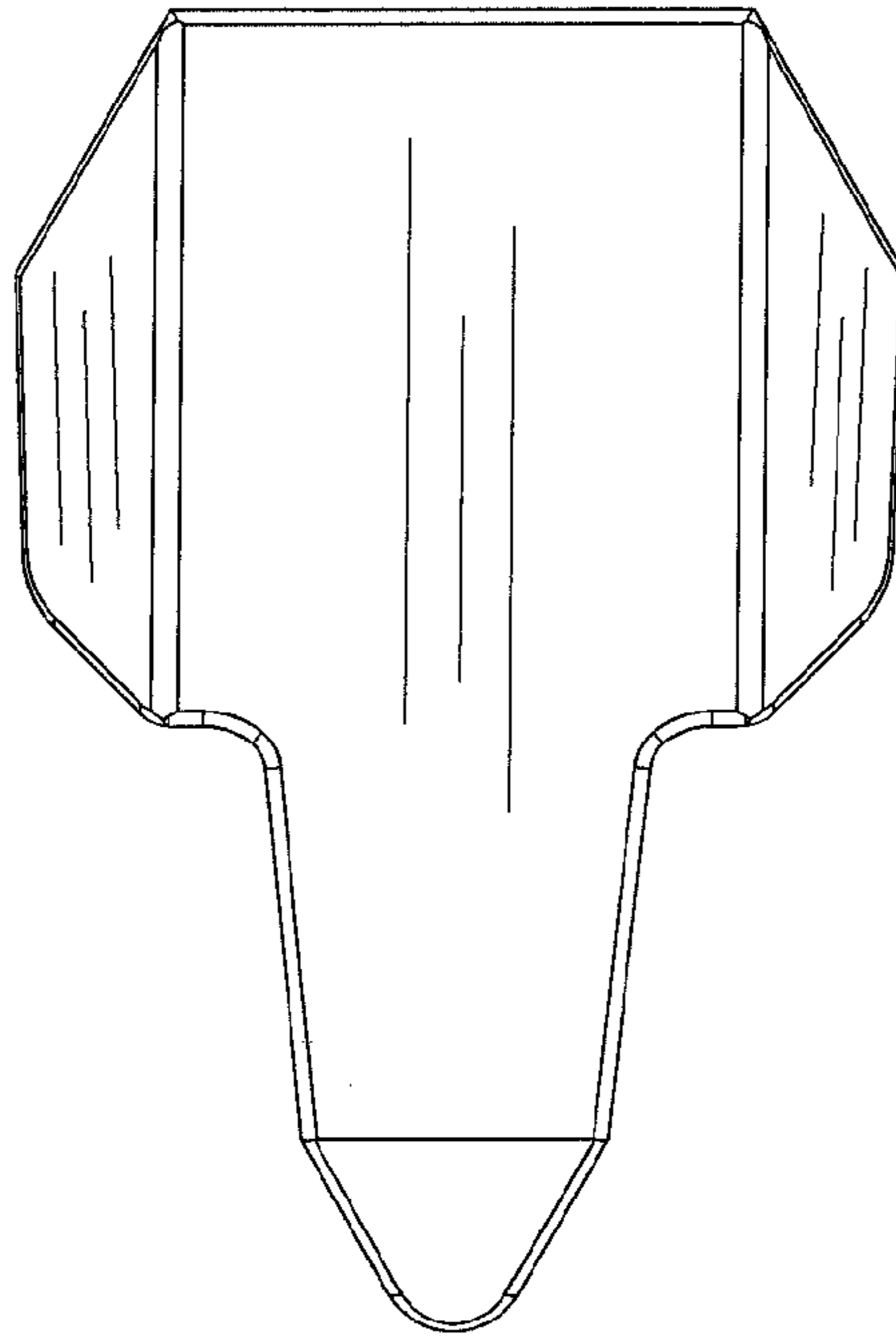


FIG. 2

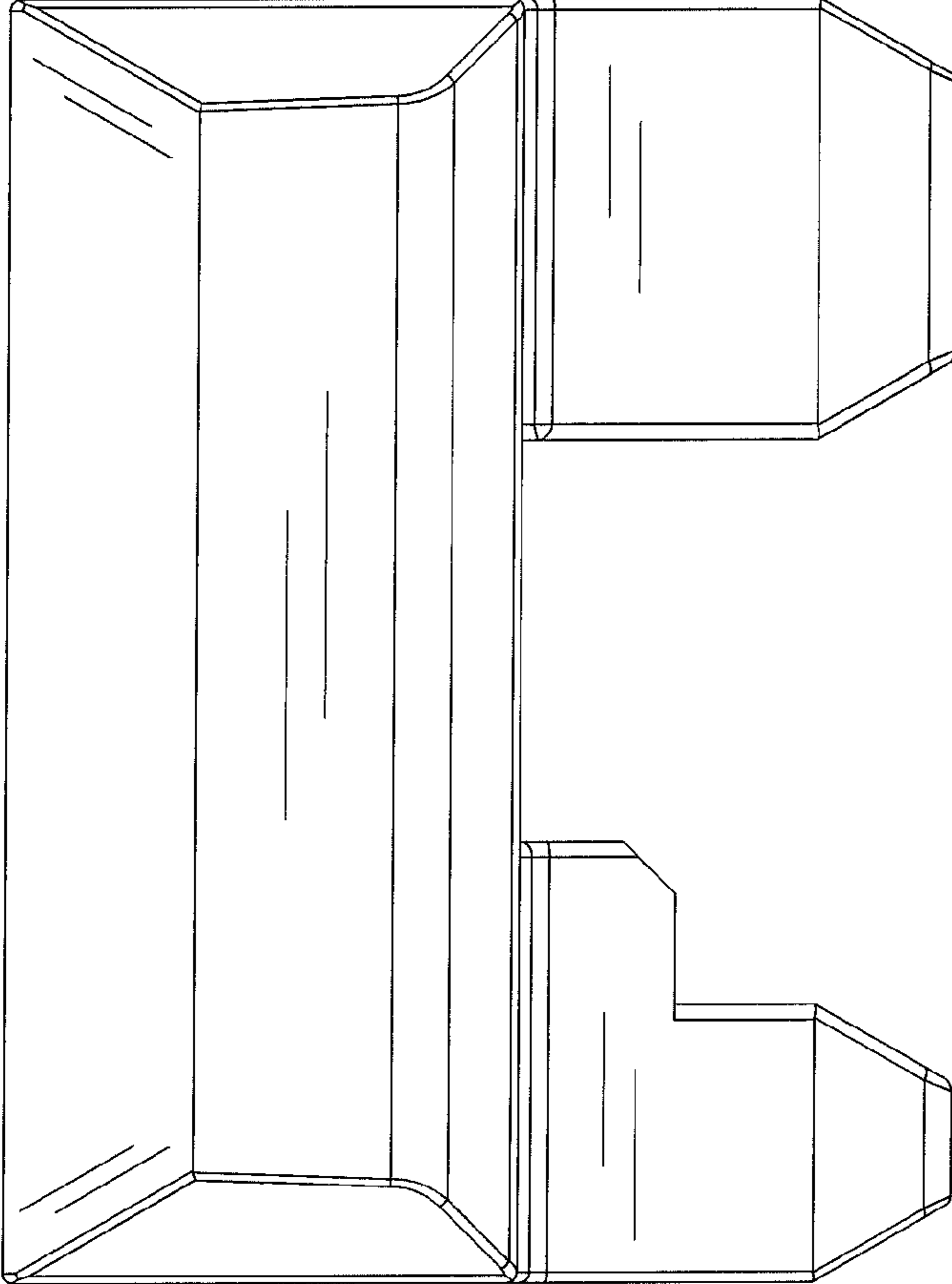


FIG. 3

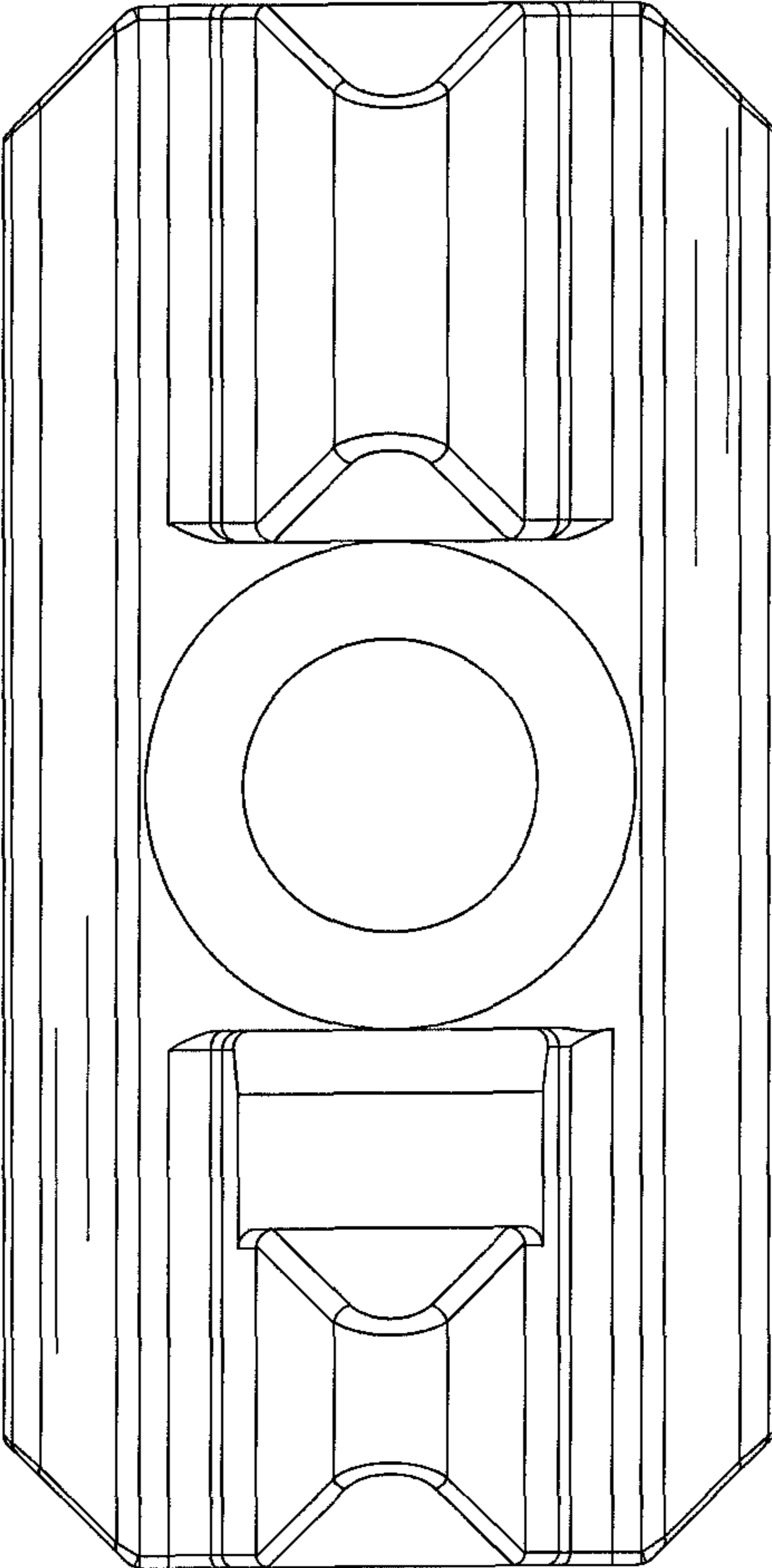


FIG. 4

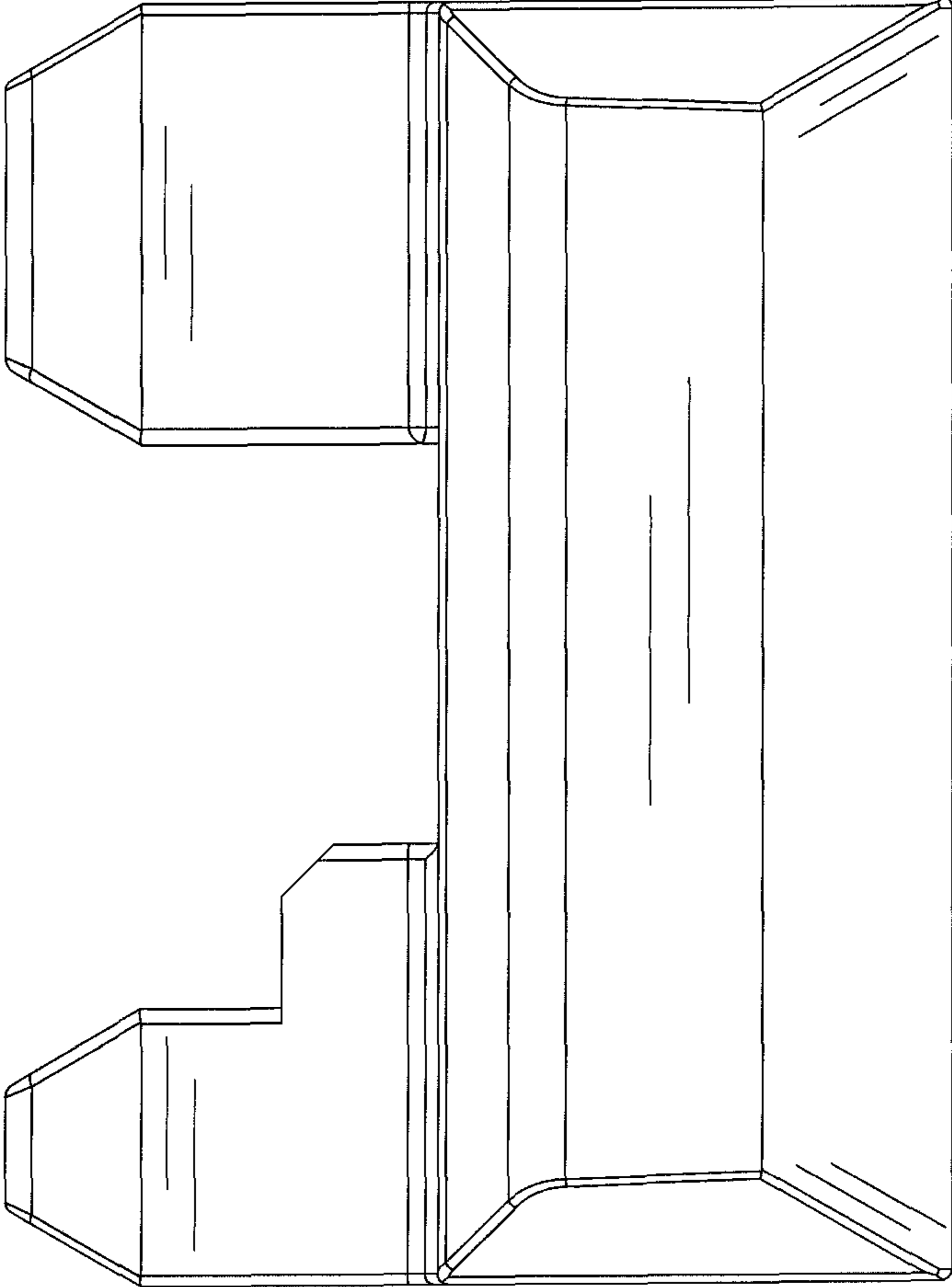


FIG. 5

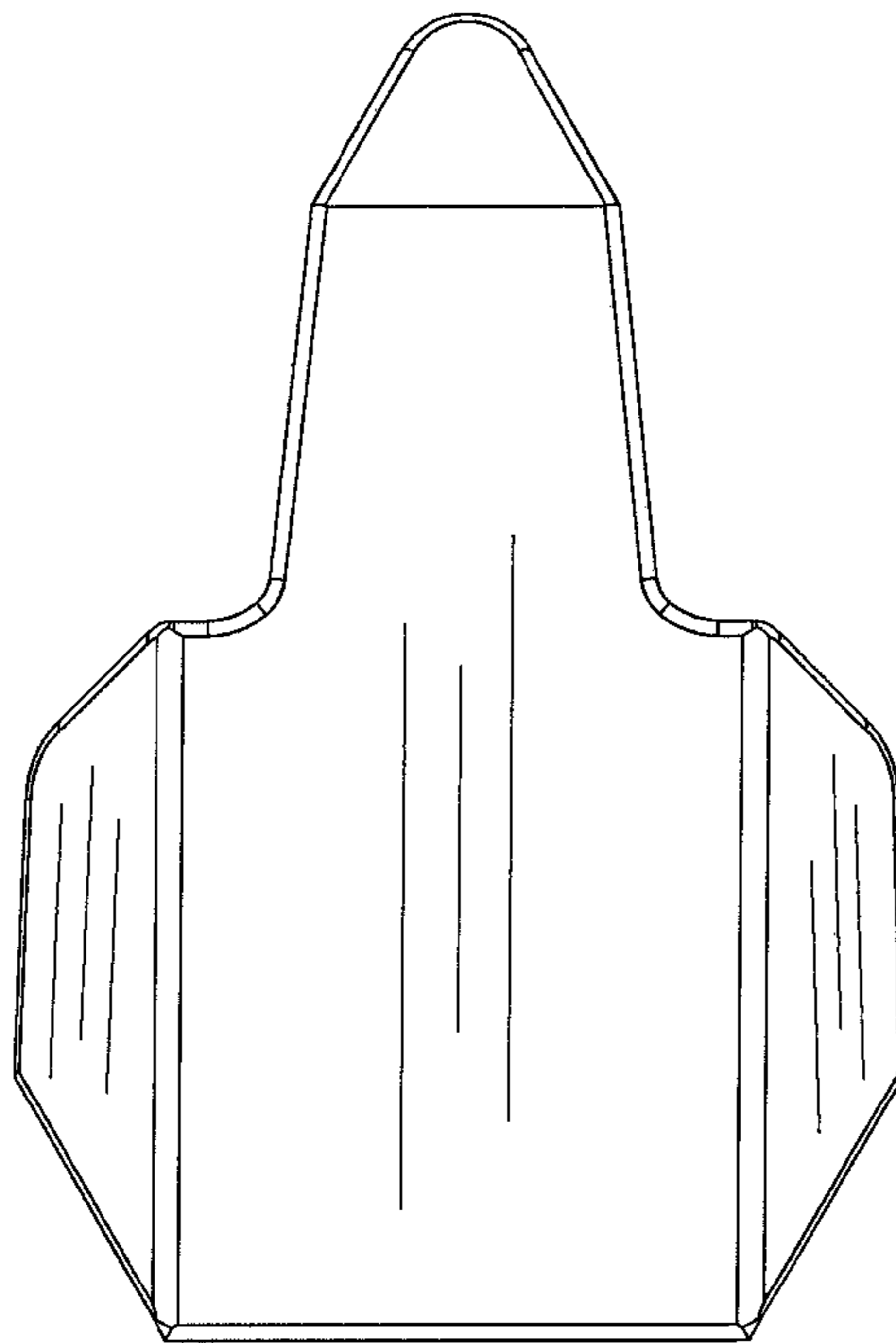


FIG. 6

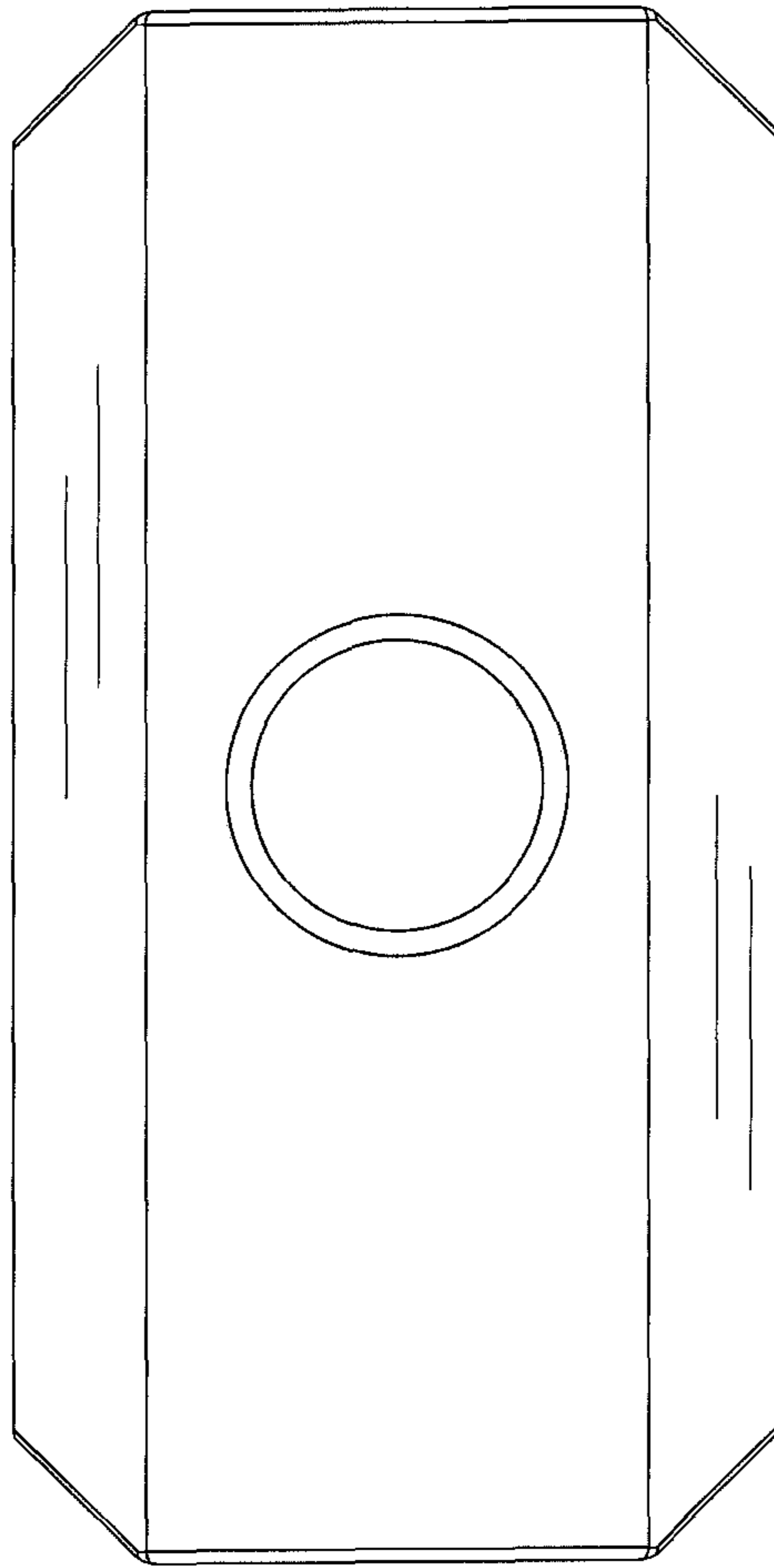


FIG. 7

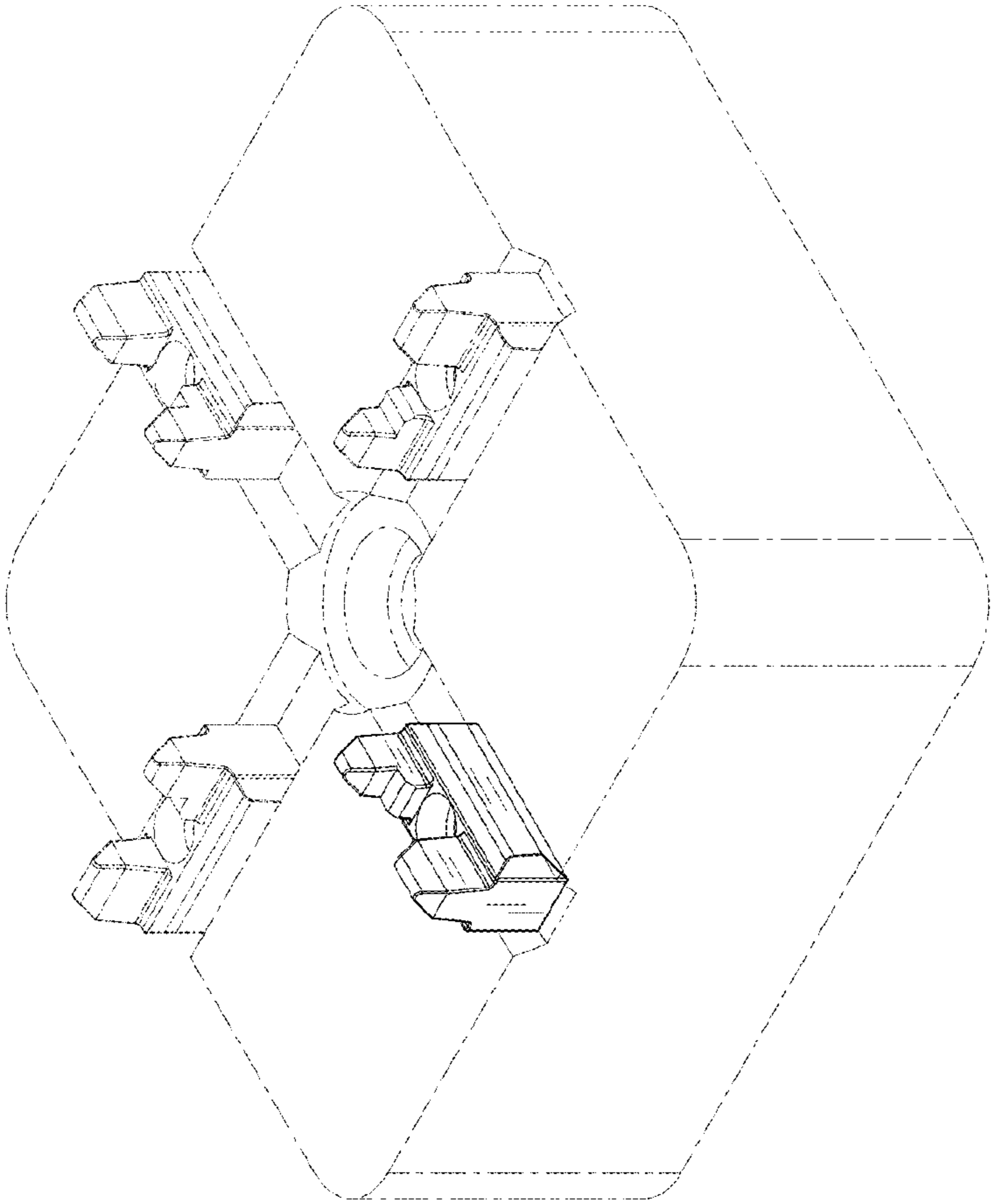


FIG. 8