



US00D732919S

(12) **United States Design Patent**  
**Lu**

(10) **Patent No.:** **US D732,919 S**  
(45) **Date of Patent:** **\*\* Jun. 30, 2015**

(54) **FOLDABLE KNIFE**

(71) Applicant: **Neptune Trading, Inc.**, Ontario (CA)  
(72) Inventor: **Margaret Lu**, Edmond, OK (US)  
(73) Assignee: **Neptune Trading Inc.**, Ontario, CA (US)  
(\*\*) Term: **14 Years**

(21) Appl. No.: **29/471,364**  
(22) Filed: **Oct. 30, 2013**  
(51) **LOC (10) Cl.** ..... **08-03**  
(52) **U.S. Cl.**  
USPC ..... **D8/99**  
(58) **Field of Classification Search**  
USPC ..... D8/98, 99, 100; D22/118, 116  
CPC ..... B26B 1/02; B26B 1/00; B26B 1/04;  
B26B 1/046  
See application file for complete search history.

(56) **References Cited**

**U.S. PATENT DOCUMENTS**

D323,774 S *	2/1992	Opinel	.....	D8/99
D436,126 S *	1/2001	Rosenbaum	.....	D19/36
D472,446 S *	4/2003	Brown	.....	D8/99
D483,641 S *	12/2003	Martin	.....	D8/99
D605,022 S *	12/2009	Noraker	.....	D8/99
D664,826 S	8/2012	Lebeau		
D677,551 S	3/2013	Pelton		
D678,456 S	3/2013	Carson		
D706,108 S *	6/2014	Kadel	.....	D8/100

**OTHER PUBLICATIONS**

Print out of Bullet knives from google image search for bullet knives.\*

\* cited by examiner

*Primary Examiner* — Phillip S Hyder  
(74) *Attorney, Agent, or Firm* — KB Ash Law Group PC

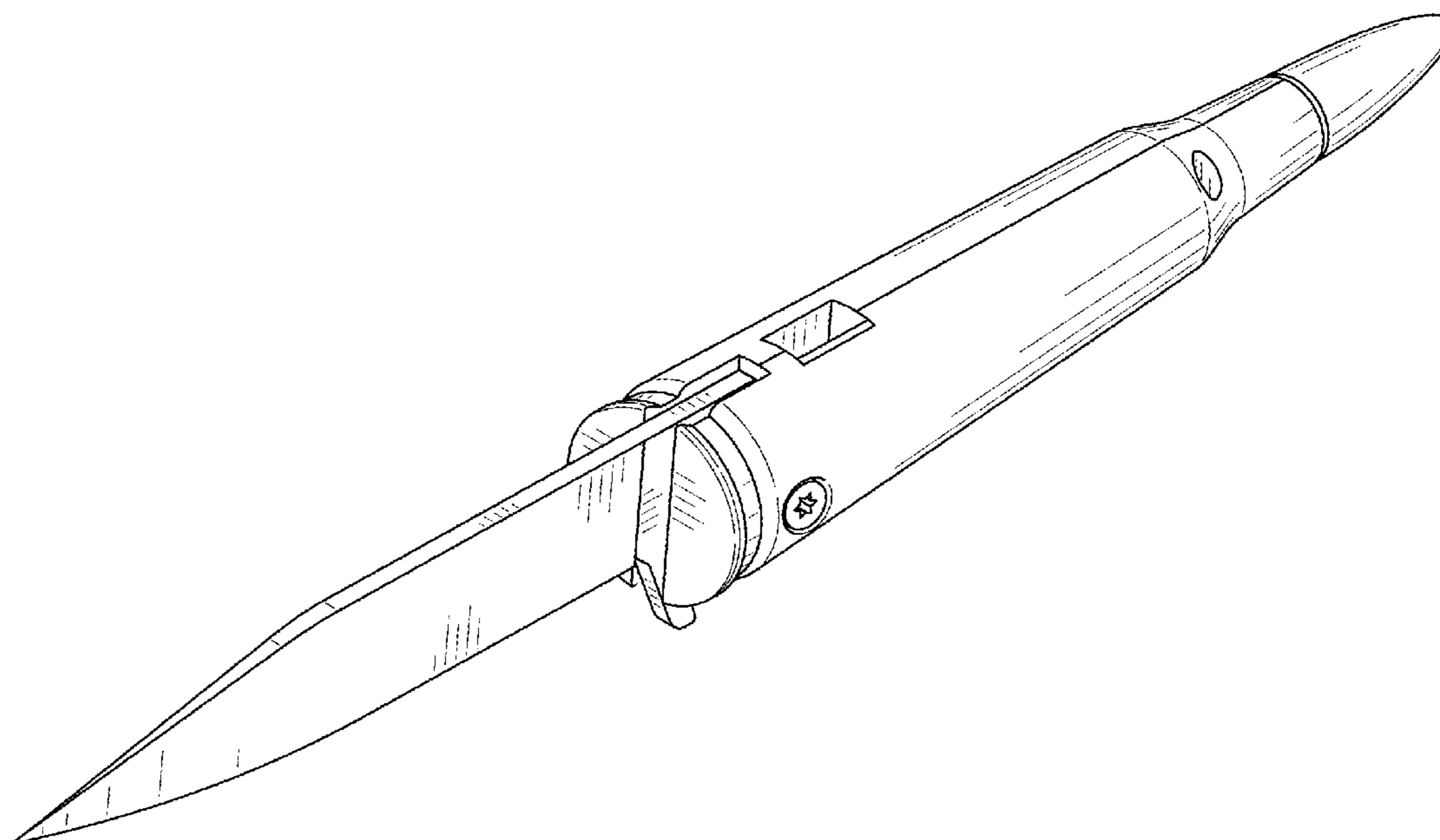
(57) **CLAIM**

The ornamental design for a foldable knife, as shown and described.

**DESCRIPTION**

FIG. 1 is a front perspective view of a foldable knife, showing my new design;  
FIG. 2 is a front view thereof;  
FIG. 3 is a back view thereof;  
FIG. 4 is a right side view thereof;  
FIG. 5 is a left side view thereof;  
FIG. 6 is a top view thereof;  
FIG. 7 is a bottom view thereof;  
FIG. 8 is a front perspective view of the foldable knife of FIG. 1 with the knife blade retracted; and,  
FIG. 9 is a back perspective view of the foldable knife of FIG. 1 with the knife blade retracted.  
The broken lines depict portions of the foldable knife in which the design is embodied that are not considered part of the claimed design.

**1 Claim, 4 Drawing Sheets**



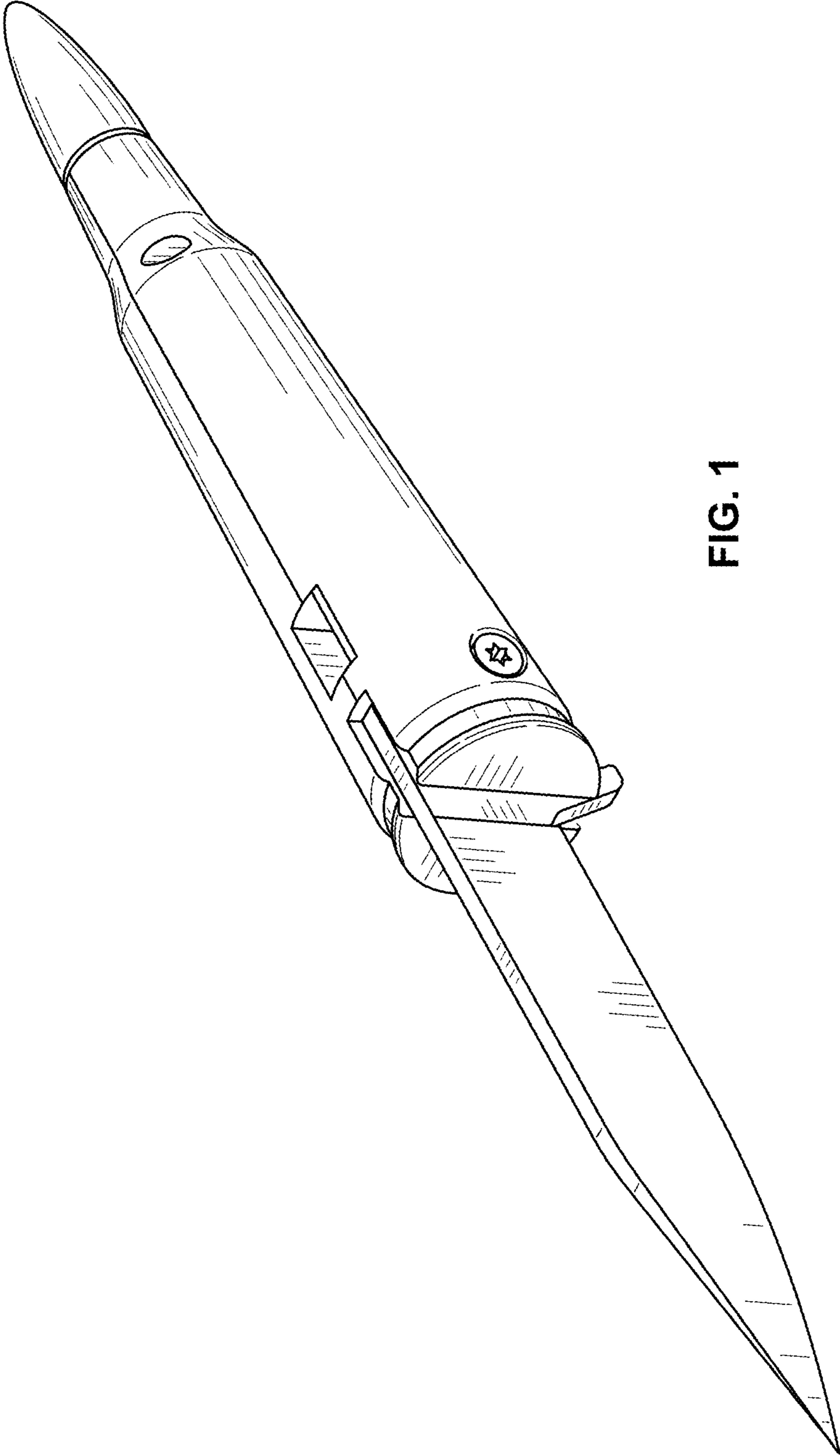


FIG. 1

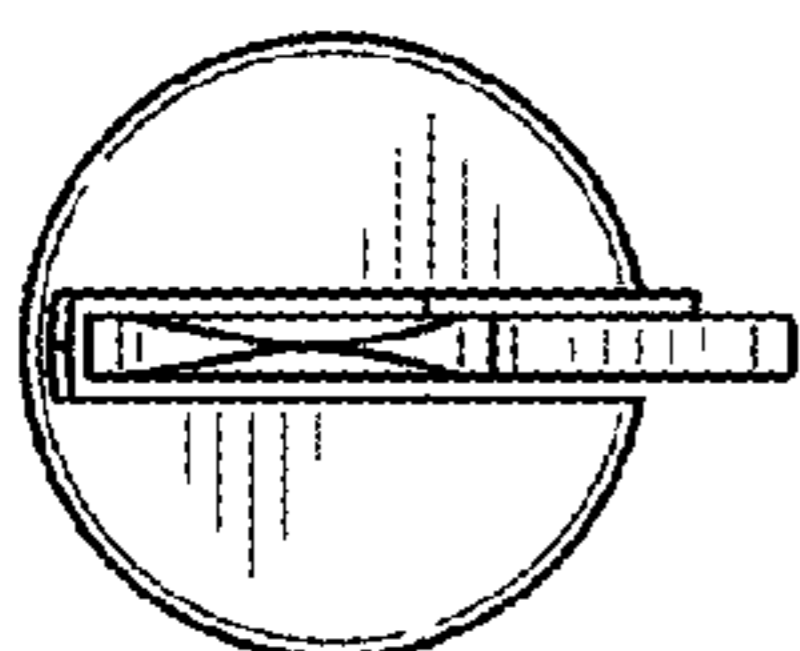


FIG. 2

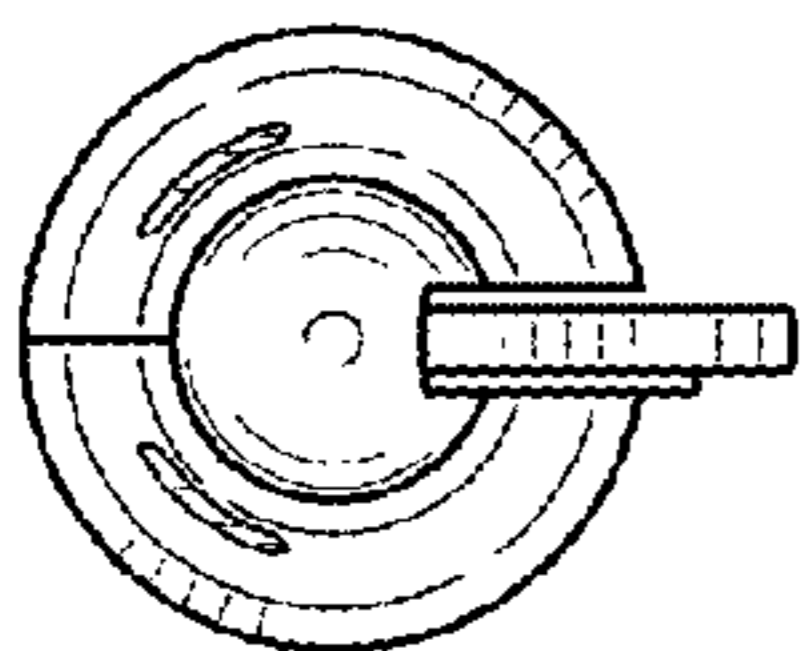


FIG. 3

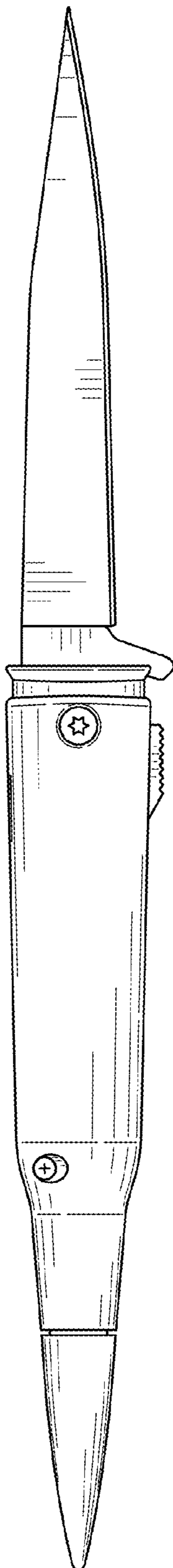


FIG. 4

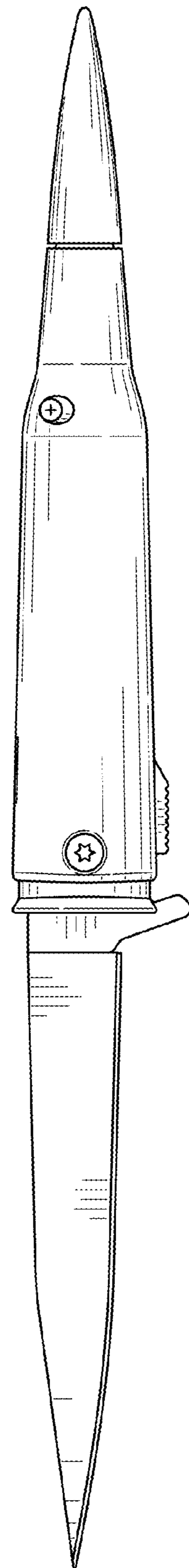


FIG. 5

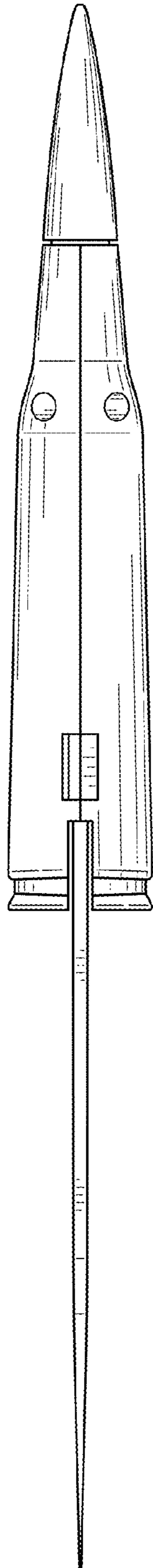


FIG. 6

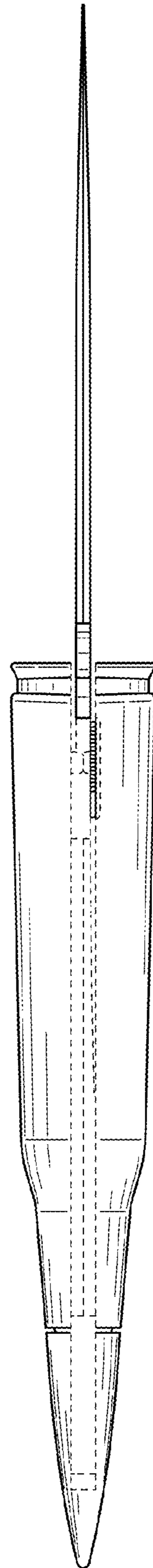


FIG. 7

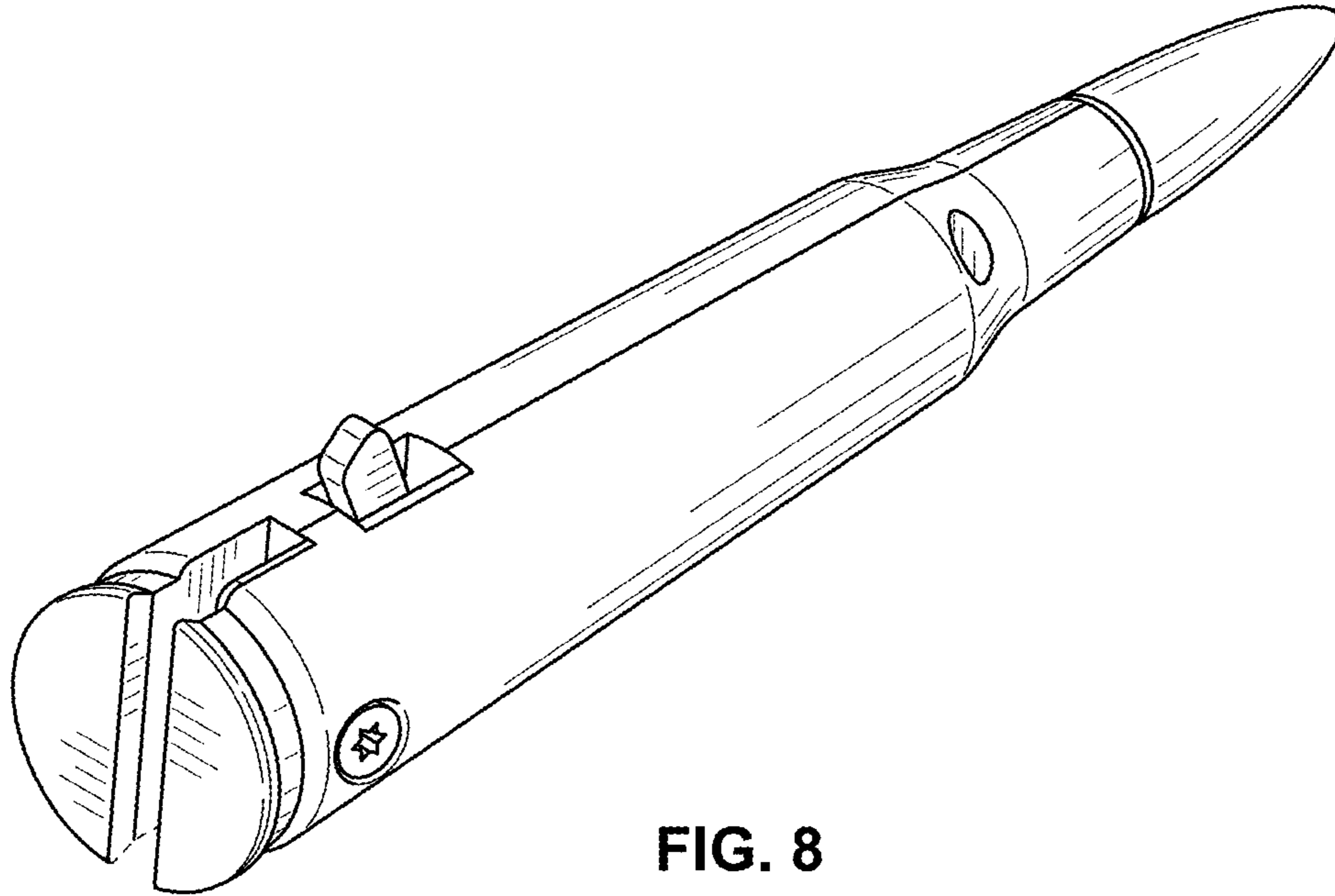


FIG. 8

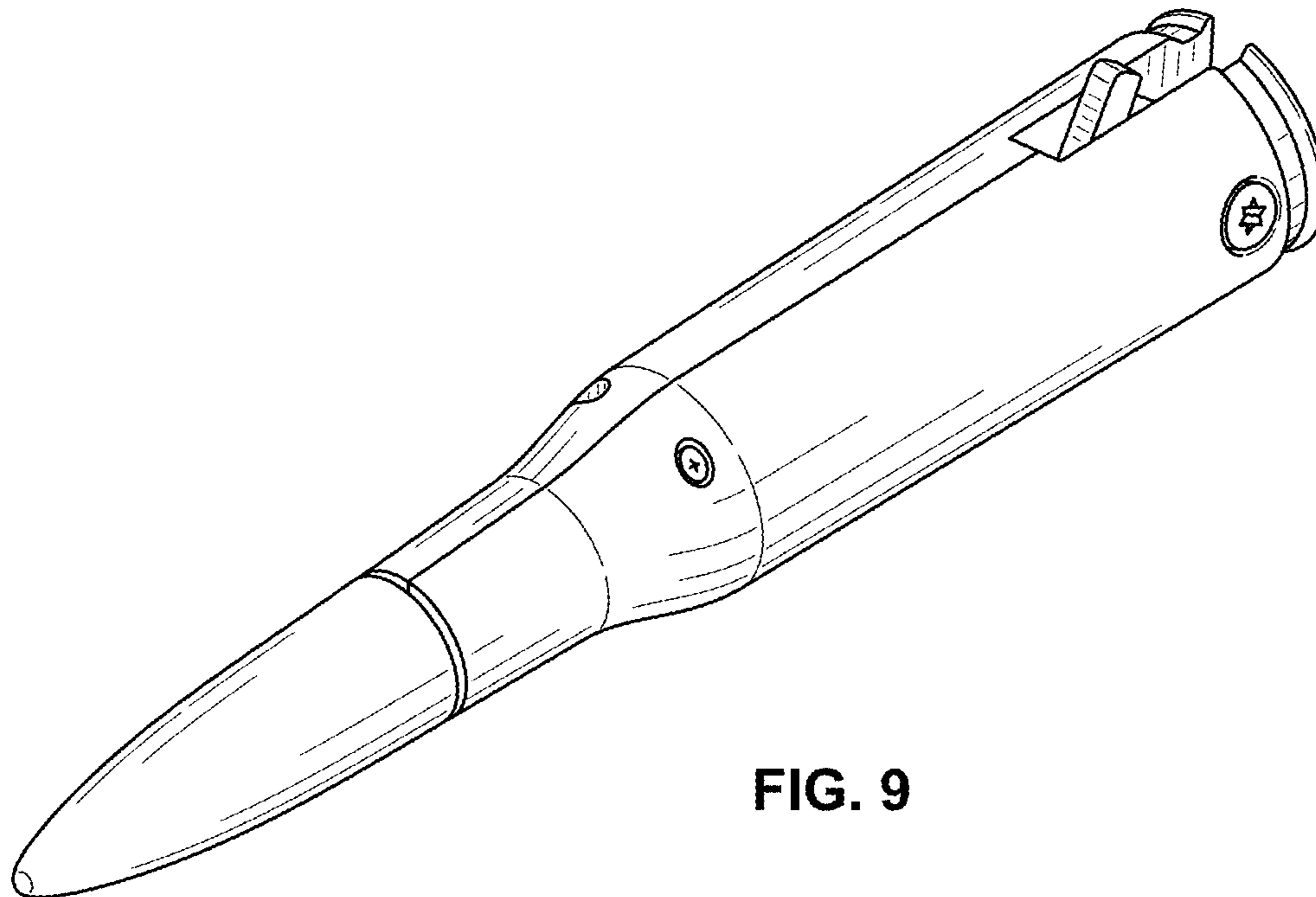


FIG. 9