



US00D732918S

(12) **United States Design Patent**  
**Wang**

(10) **Patent No.:** **US D732,918 S**

(45) **Date of Patent:** **\*\* Jun. 30, 2015**

(54) **FOLDABLE KNIFE**

(71) Applicant: **Pacific Solution Marketing Inc.,**  
Ontario, CA (US)

(72) Inventor: **Weide Wang,** Shanghai (CN)

(73) Assignee: **Pacific Solution Marketing Inc.,**  
Ontario, CA (US)

(\*\*) Term: **14 Years**

(21) Appl. No.: **29/470,970**

(22) Filed: **Oct. 25, 2013**

(51) **LOC (10) Cl.** ..... **08-03**

(52) **U.S. Cl.**  
USPC ..... **D8/99**

(58) **Field of Classification Search**  
USPC ..... D8/98, 99; D22/118; 30/155, 156, 157,  
30/158, 159  
CPC ..... B26B 1/00; B26B 1/02; B26B 1/04;  
B26B 1/046  
See application file for complete search history.

(56) **References Cited**

**U.S. PATENT DOCUMENTS**

D302,934 S \* 8/1989 Finn ..... D8/99  
D306,387 S \* 3/1990 Junkman ..... D7/534  
6,276,063 B1 \* 8/2001 Chen ..... 30/161

D488,697 S \* 4/2004 Rae ..... D8/99  
D489,956 S \* 5/2004 Rae ..... D8/99  
D554,964 S \* 11/2007 Taylor ..... D8/99  
D634,174 S \* 3/2011 Ryan et al. .... D8/99  
D642,888 S \* 8/2011 Port et al. .... D8/99  
D677,551 S 3/2013 Pelton  
D678,456 S 3/2013 Carson  
D684,654 S 6/2013 Hunter  
D696,919 S \* 1/2014 Leh et al. .... D8/99

\* cited by examiner

*Primary Examiner* — Phillip S Hyder

(74) *Attorney, Agent, or Firm* — KB Ash Law Group PC

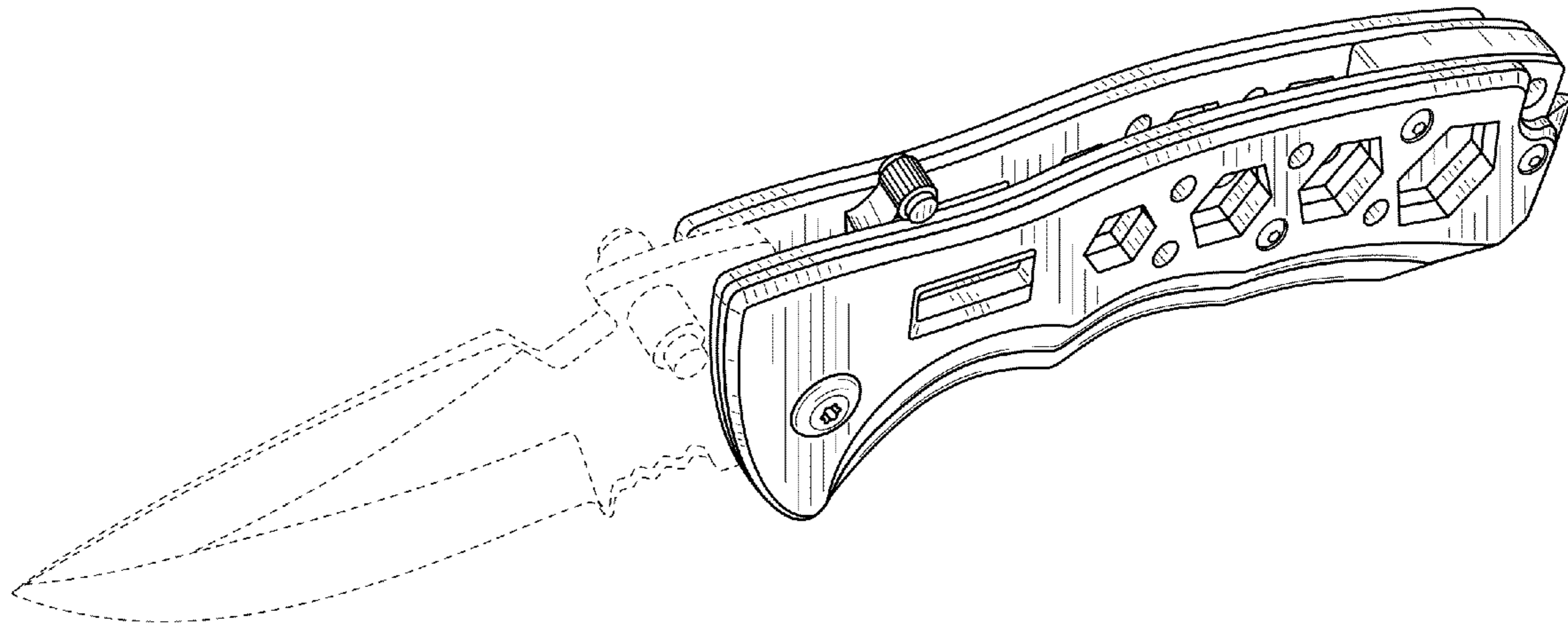
(57) **CLAIM**

The ornamental design for a foldable knife, as shown and described.

**DESCRIPTION**

FIG. 1 is a perspective view of a foldable knife, showing my new design;  
FIG. 2 is a left side view thereof;  
FIG. 3 is a right side view thereof;  
FIG. 4 is a front view thereof;  
FIG. 5 is a back view thereof;  
FIG. 6 is a top view thereof; and,  
FIG. 7 is a bottom view thereof.  
The broken lines depict the blade of the foldable knife and are not considered part of the claimed design.

**1 Claim, 3 Drawing Sheets**



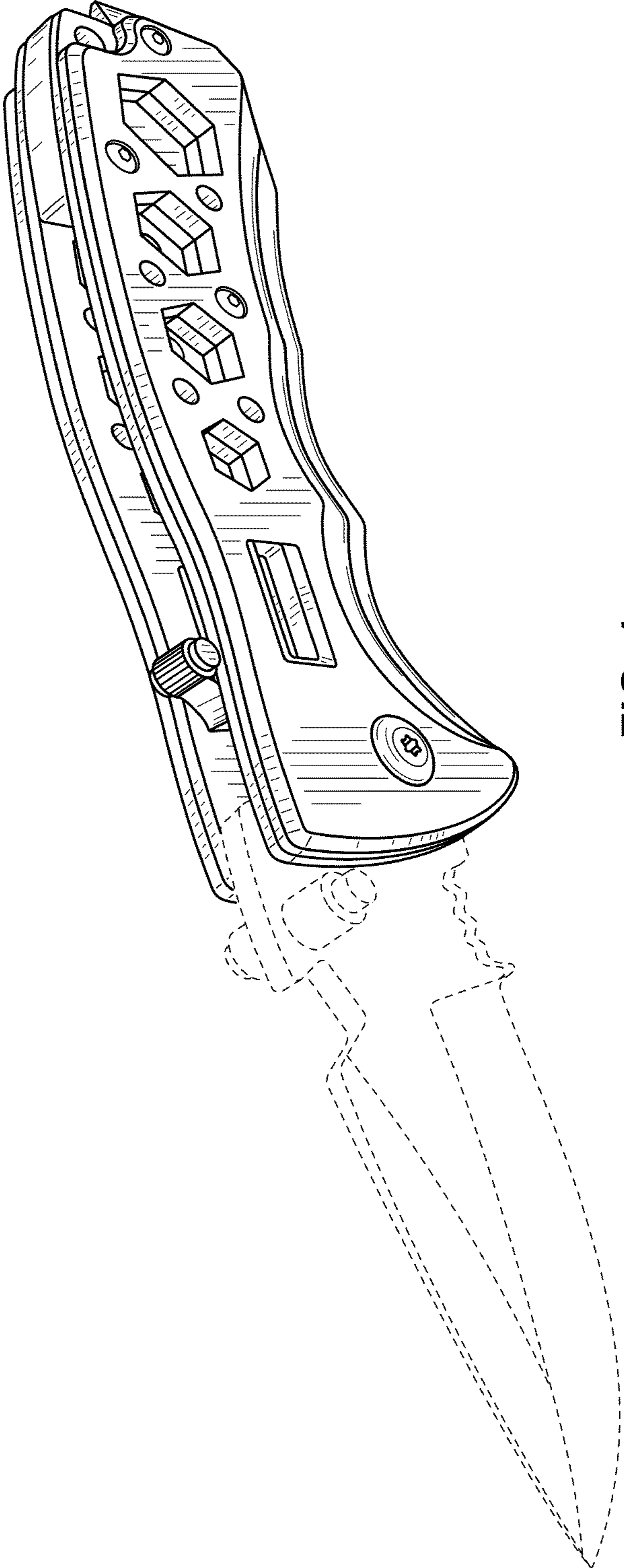


FIG. 1

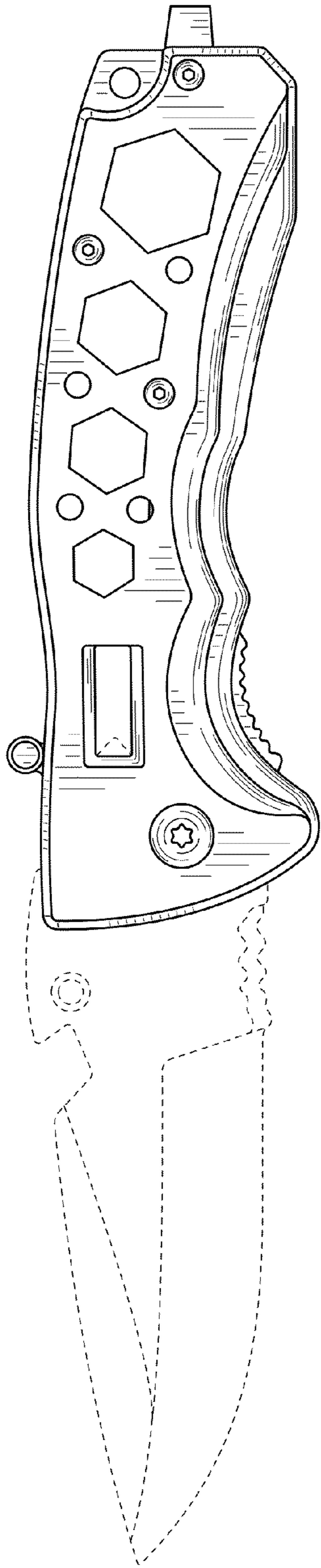


FIG. 2

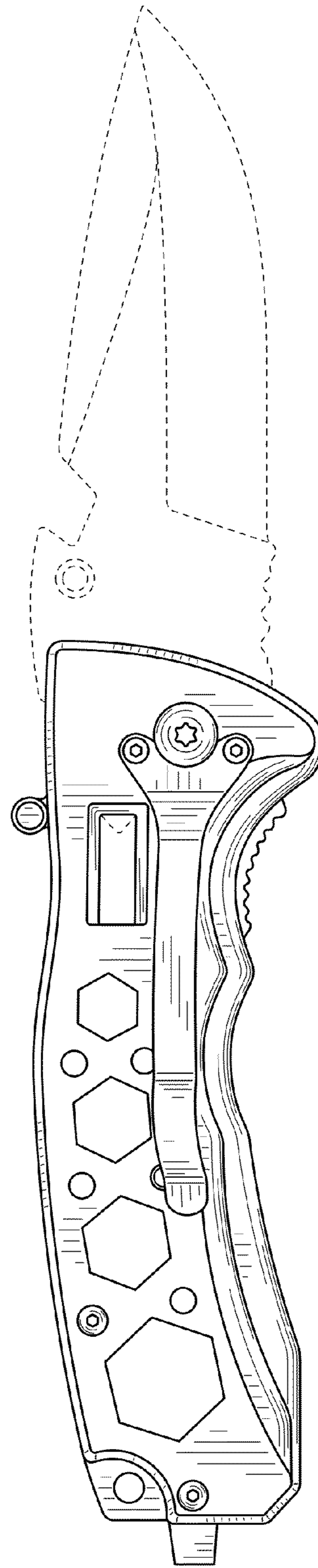


FIG. 3

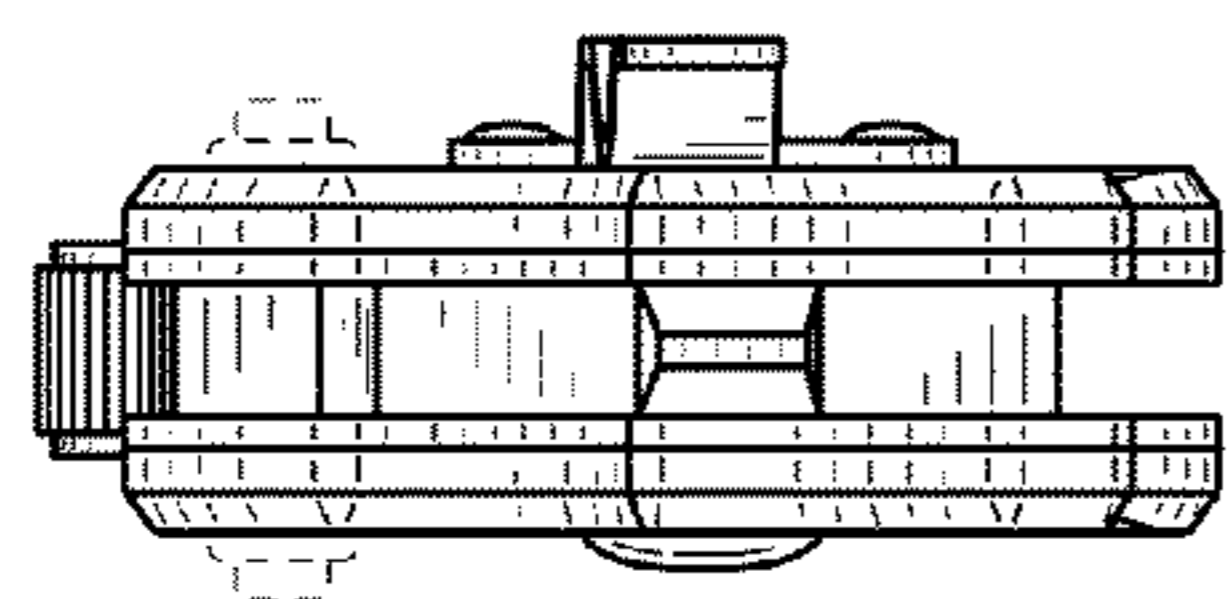


FIG. 4

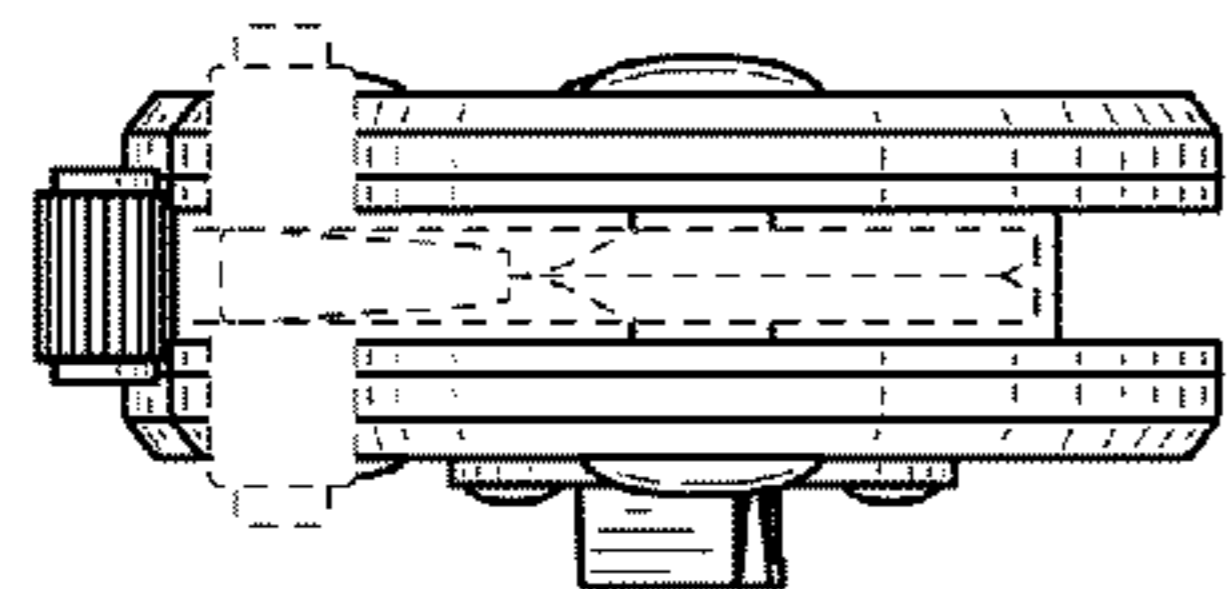


FIG. 5

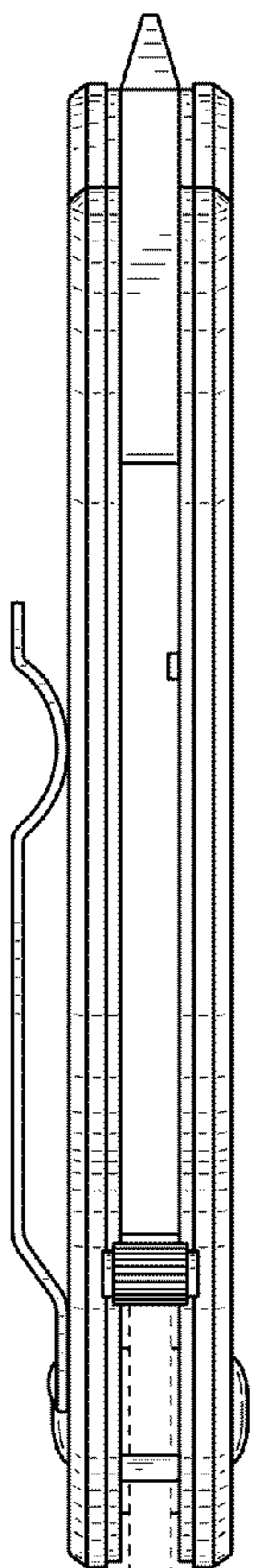


FIG. 6

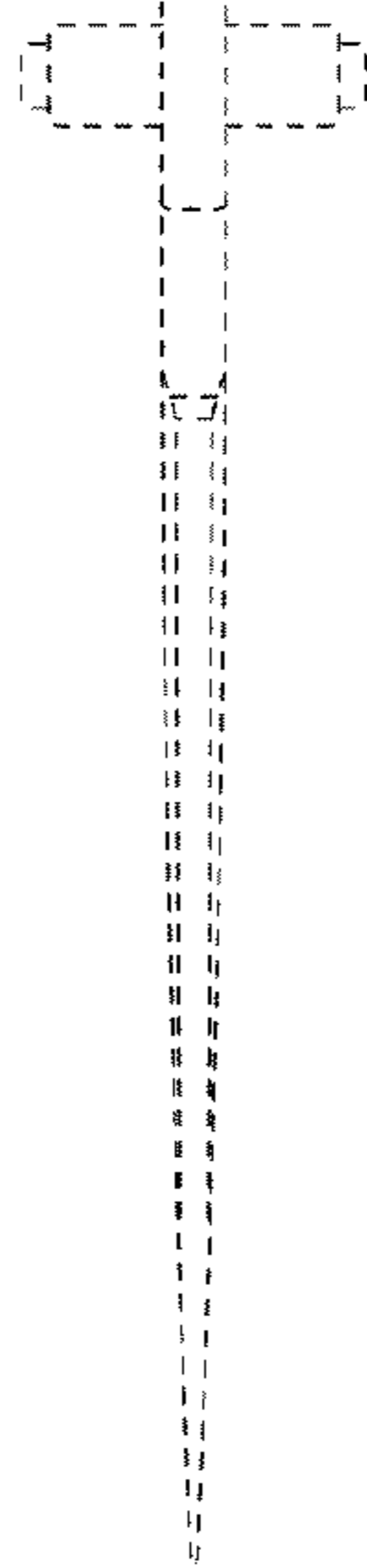


FIG. 7

