

US00D732916S

(12) **United States Design Patent**  
**Spirer**

(10) **Patent No.:** **US D732,916 S**  
(45) **Date of Patent:** **\*\* Jun. 30, 2015**

(54) **HYDRAULIC WRENCH**

(71) Applicant: **Steve Spirer**, Westwood, NJ (US)

(72) Inventor: **Steve Spirer**, Westwood, NJ (US)

(\*\*) Term: **14 Years**

(21) Appl. No.: **29/439,224**

(22) Filed: **Dec. 7, 2012**

(51) **LOC (10) Cl.** ..... **08-03**

(52) **U.S. Cl.**  
USPC ..... **D8/61**

(58) **Field of Classification Search**

USPC ..... D8/29.1, 51, 52, 53, 55, 56, 57, 58, 61,  
D8/63, 70, 93, 98, 99, 105; D24/148, 149;  
81/9.43, 9.44, 302, 349, 383.5, 423,  
81/427.5, 900; 30/90.1, 90.6, 228, 366;  
D15/124, 133, 138, 139, 140; 29/239,  
29/252; 254/93 H, 93 R; 403/378

See application file for complete search history.

(56) **References Cited**

**U.S. PATENT DOCUMENTS**

3,273,428	A *	9/1966	Rudeke	81/464
4,619,160	A *	10/1986	Meyer	81/57.39
4,825,730	A *	5/1989	Junkers	81/57.39
4,970,919	A *	11/1990	Snyder	81/57.39
RE33,951	E *	6/1992	Junkers	81/57.39
5,924,340	A *	7/1999	Junkers	81/57.39
6,279,427	B1 *	8/2001	Francis	81/57.39
D465,394	S *	11/2002	Junkers	D8/61
D491,435	S *	6/2004	Junkers	D8/61
D491,436	S *	6/2004	Junkers	D8/61
D580,721	S *	11/2008	Chen	D8/25
D602,755	S *	10/2009	Junkers	D8/61
2011/0314972	A1 *	12/2011	Rickley et al.	81/57.39

**OTHER PUBLICATIONS**

“Low Profile Hydraulic Torque Wrench.” Rapid-Torc. Produce Page., Oct. 27, 2012 [online], [retrieved on Jun. 26, 2014]. Retrieved from

the Internet <URL: [http://www.rapidtorc.com/rtx\\_hydraulic\\_torque\\_wrench.html](http://www.rapidtorc.com/rtx_hydraulic_torque_wrench.html)>.\*  
“New WCR4000 Hydraulic Torque Wrench.” Expo21xx News., Feb. 12, 2011 [online], [retrieved on Jun. 26, 2014]. Retrieved from the Internet <URL: <http://www.expo21xx.com/news/hydraulic-torque-wrench/>>.\*

(Continued)

*Primary Examiner* — Philip S Hyder

*Assistant Examiner* — Darlington Ly

(74) *Attorney, Agent, or Firm* — Jura C. Zibas; Gregory N. Brescia; Wilson, Elser, Moskowitz, Edelman & Dicker, LLP

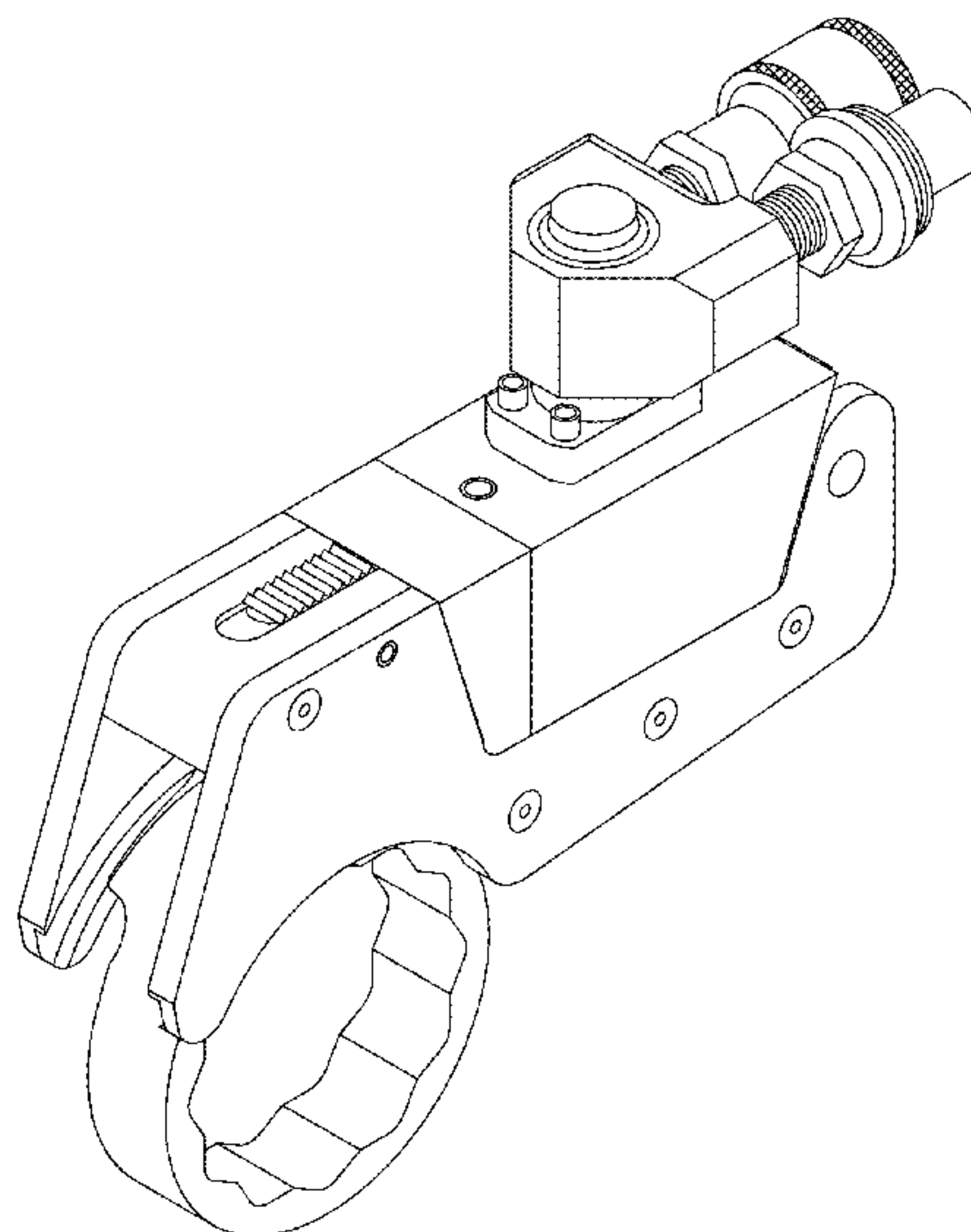
(57) **CLAIM**

The ornamental design for a hydraulic wrench, as shown and described.

**DESCRIPTION**

FIG. 1 is a front, left and top perspective view of the hydraulic wrench fully assembled with a 12 point link; FIG. 2 is a left side elevation view thereof; FIG. 3 is a right side elevation view thereof; FIG. 4 is a front elevation view thereof; FIG. 5 is a rear elevation view thereof; FIG. 6 is a top plan view thereof; and FIG. 7 is a bottom plan view thereof. FIG. 8 is a front, left and top perspective view of the hydraulic wrench without the 12 point link attached. FIG. 9 is a front, left and top perspective view of the outer-larger (M drive) component for the hydraulic wrench. FIG. 10 is a front, left and top perspective view of the inner-smaller (X drive) component of the hydraulic wrench; and, FIG. 11 is a front, left and top perspective view of the 12 point link for the hydraulic wrench. The broken lines illustrate portions of the hydraulic wrench that forms no part of the claimed design.

**1 Claim, 9 Drawing Sheets**



(56)

**References Cited**

OTHER PUBLICATIONS

“New WCR4000 Hydraulic Torque Wrench.” Enerpac News., Sep. 15, 2013 [online], [retrieved on Jun. 26, 2014]. Retrieved from the Internet <URL: <http://www.enerpac.com/en/news/new-wcr4000-hydraulic-torque-wrench>>.\*

“Backup Wrenches.” Hytorc Central., Dec. 28, 2009 [online], [retrieved on Jun. 26, 2014]. Retrieved from the Internet <URL: <http://www.hytorccentral.com/backup-wrenches.htm>>.\*

\* cited by examiner

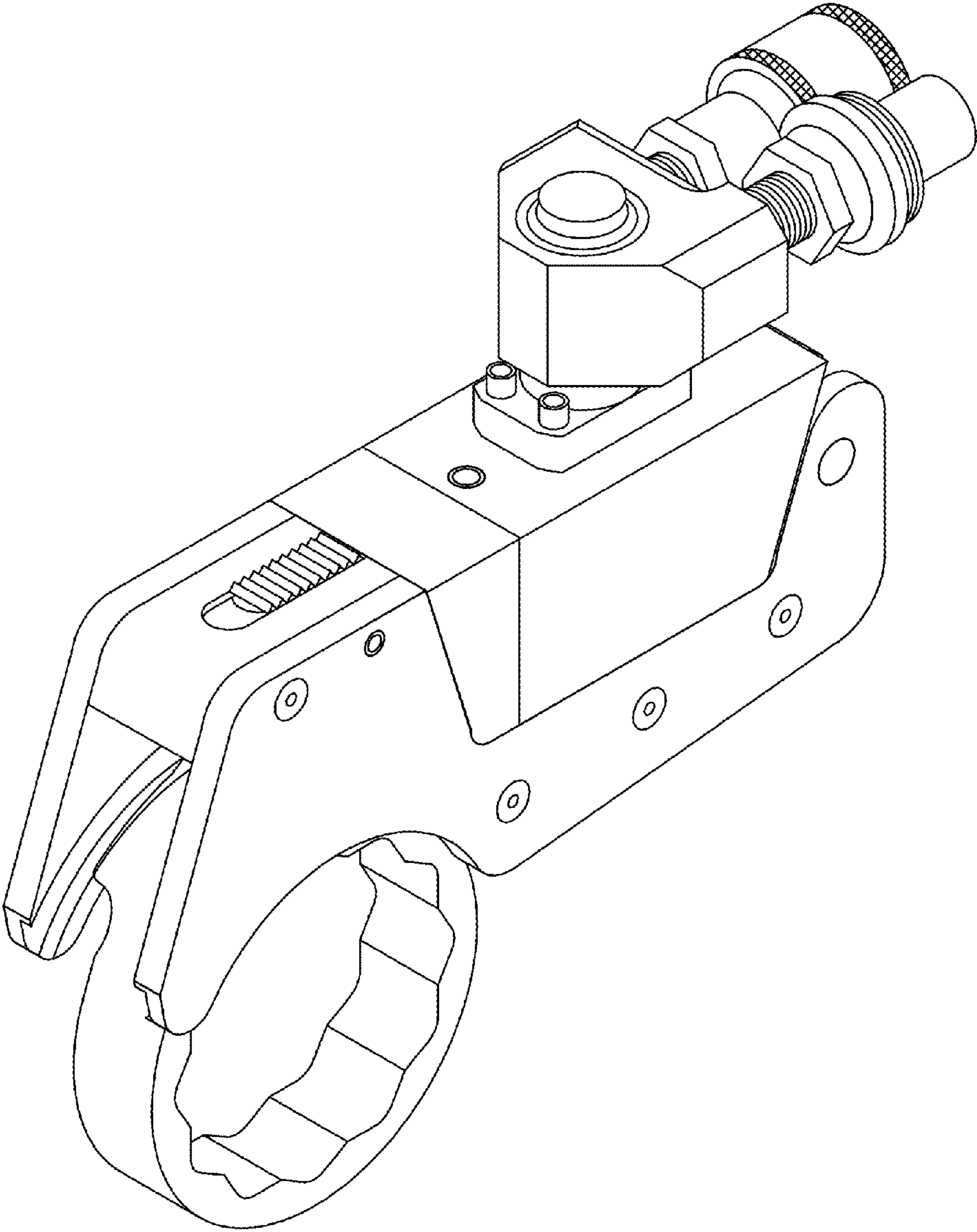


FIG. 1

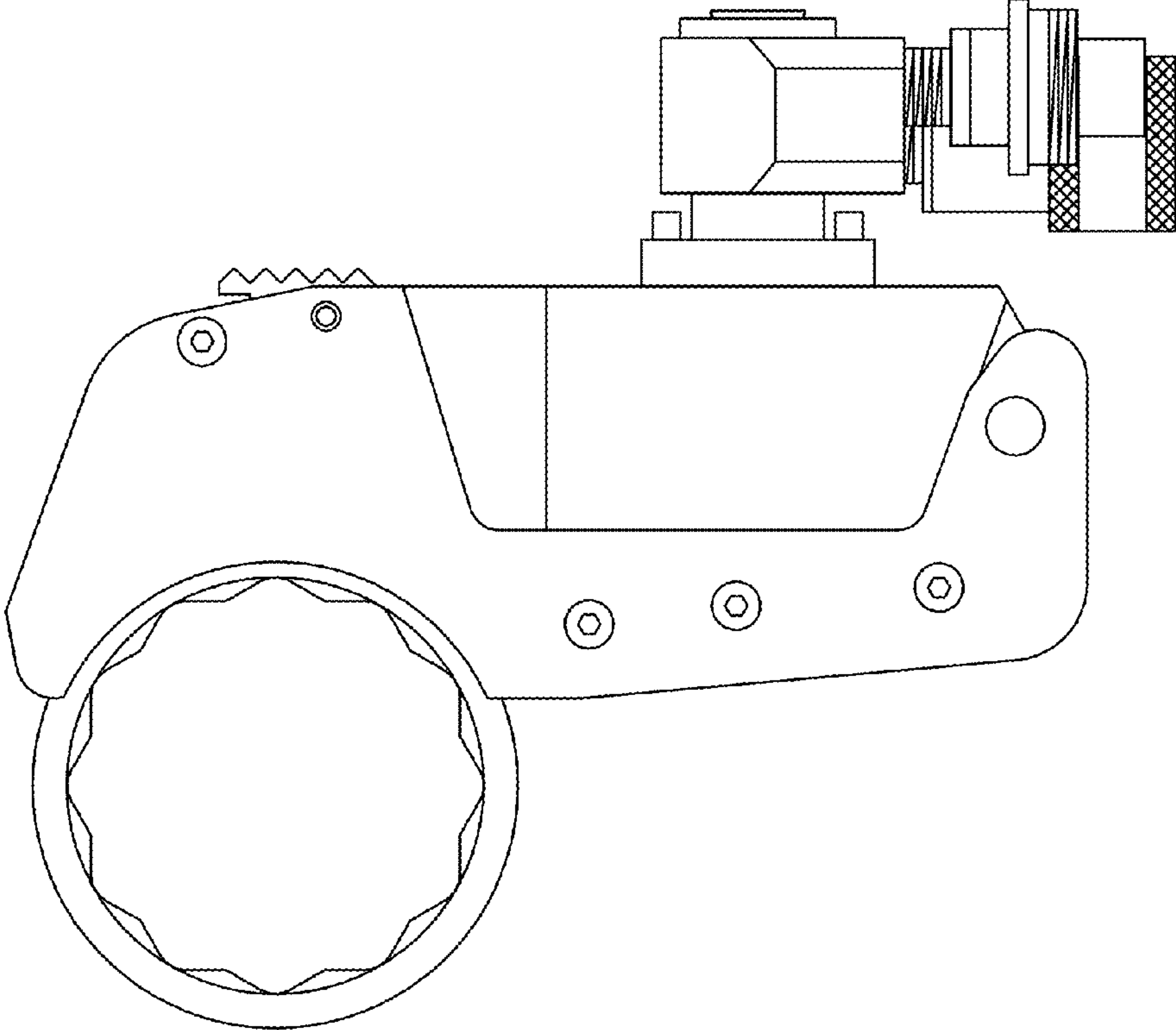


FIG. 2

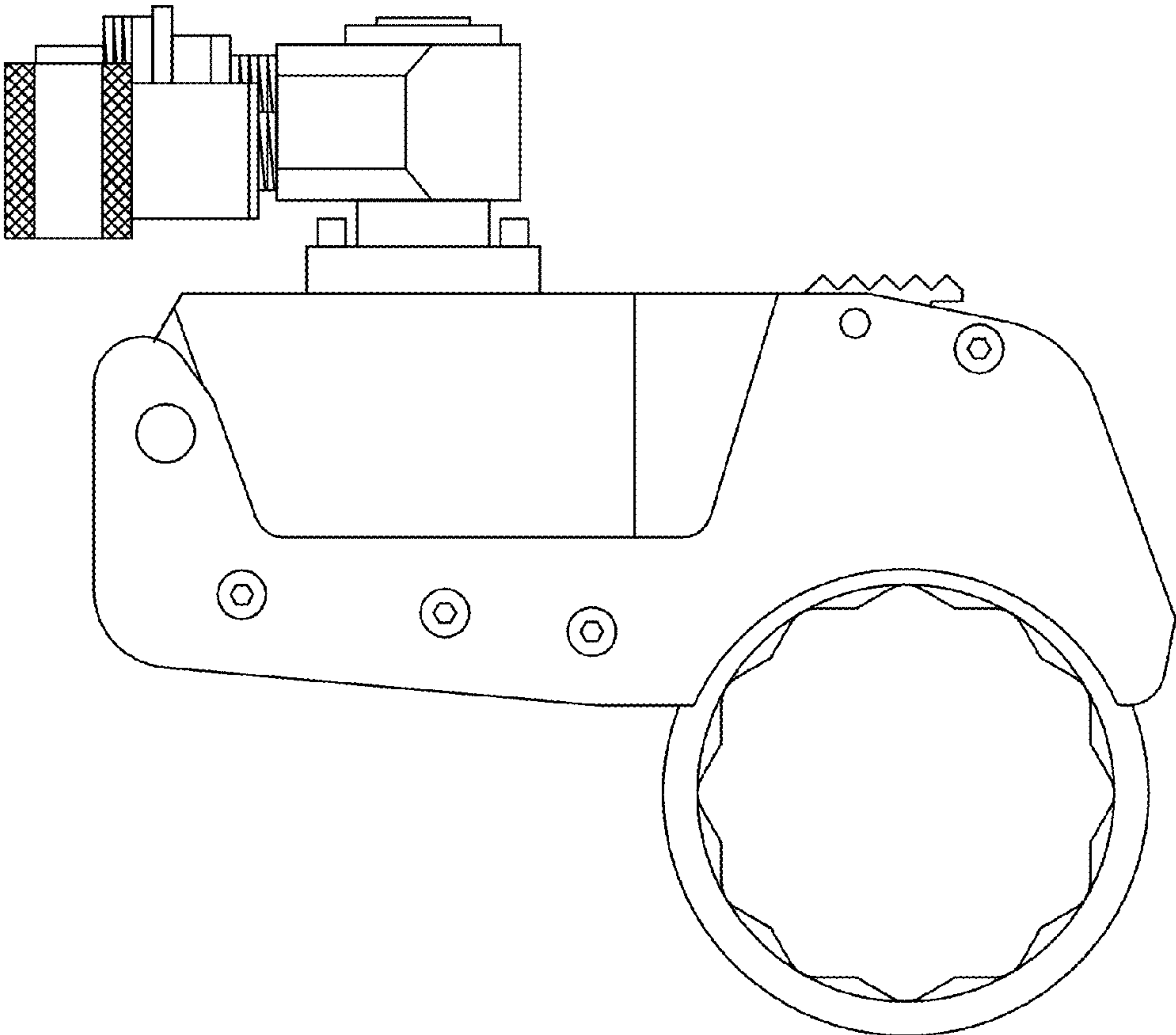


FIG. 3

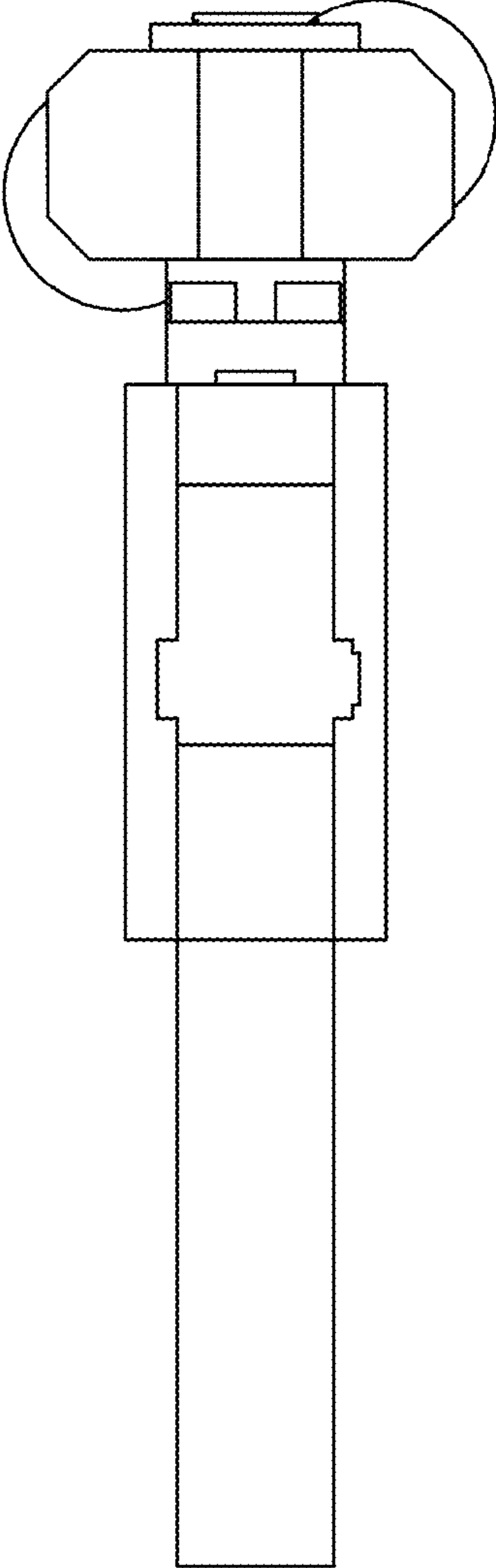


FIG. 4

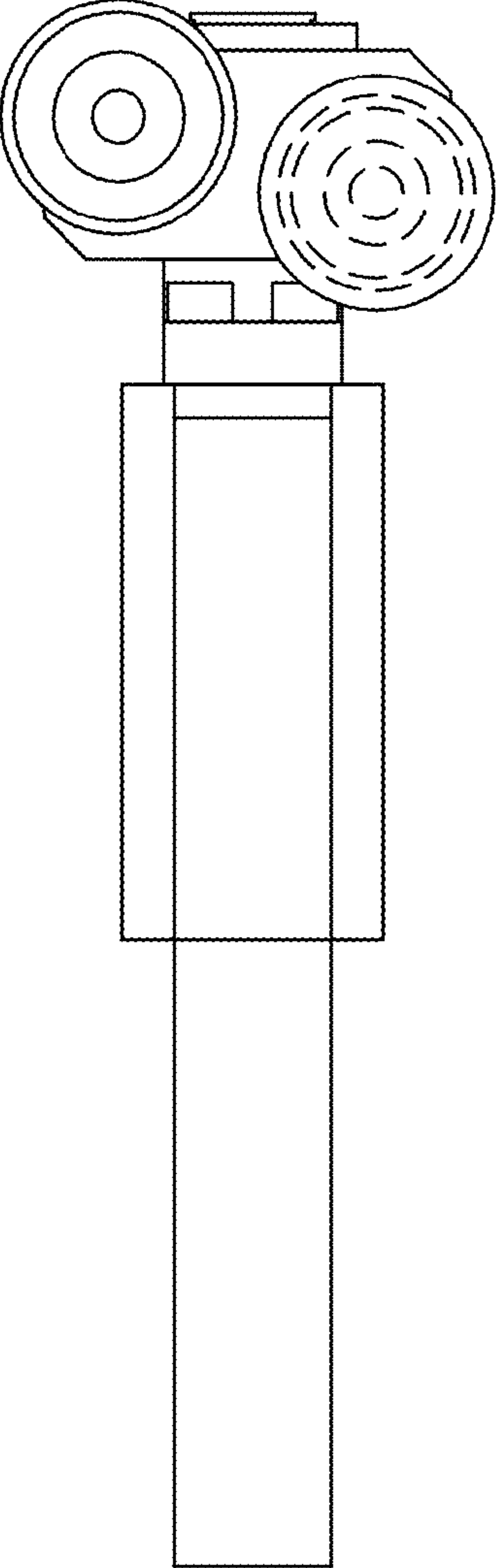


FIG. 5



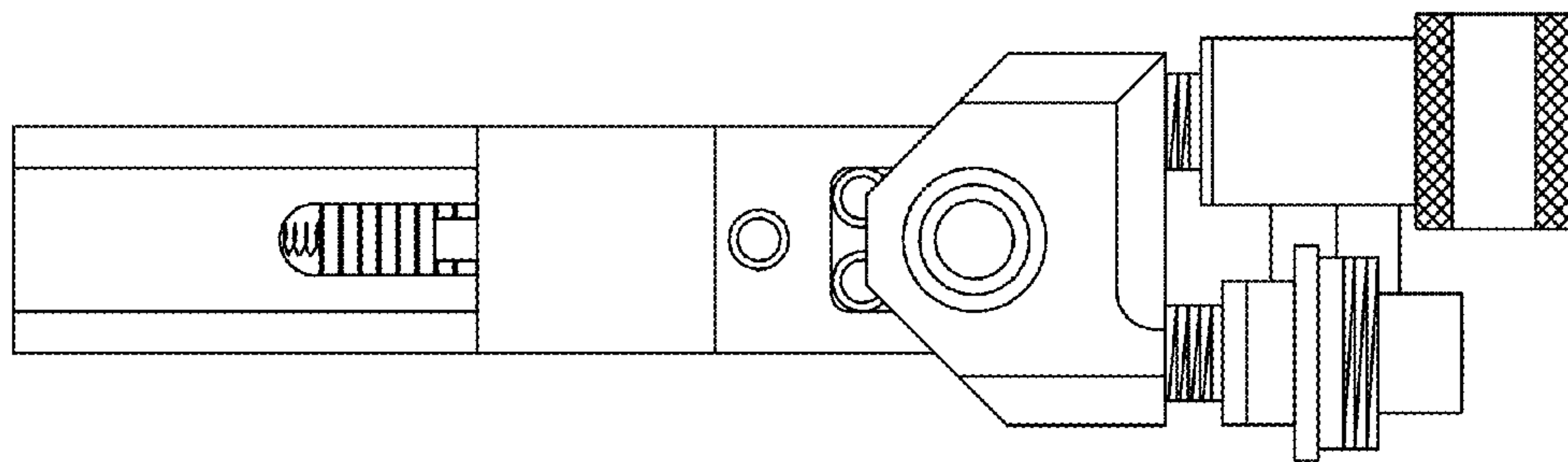


FIG. 6

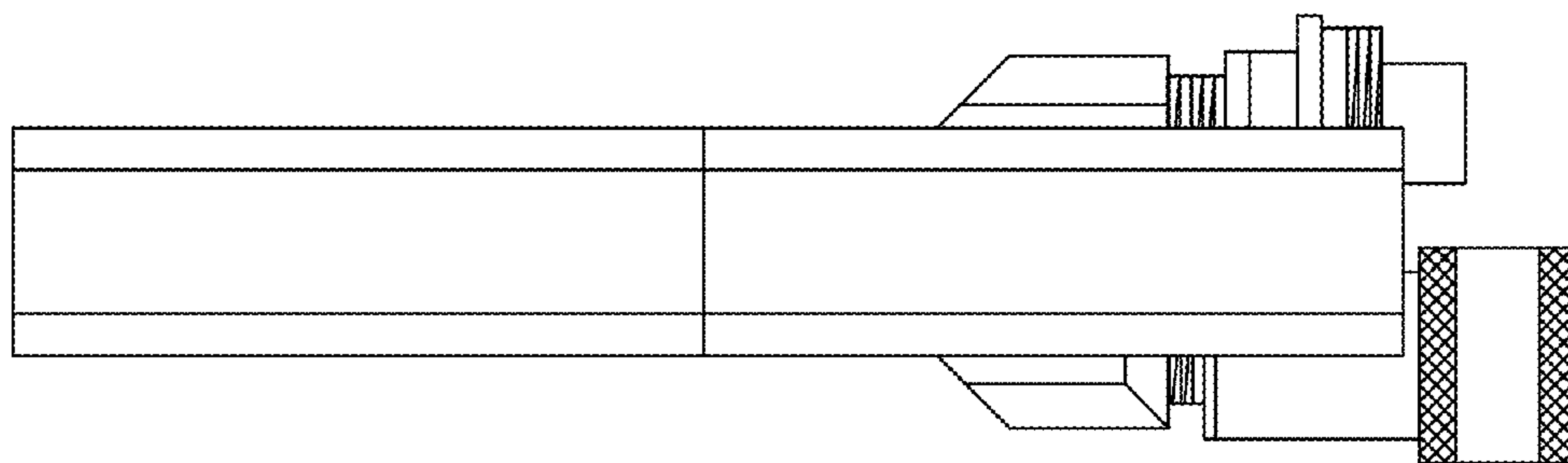


FIG. 7

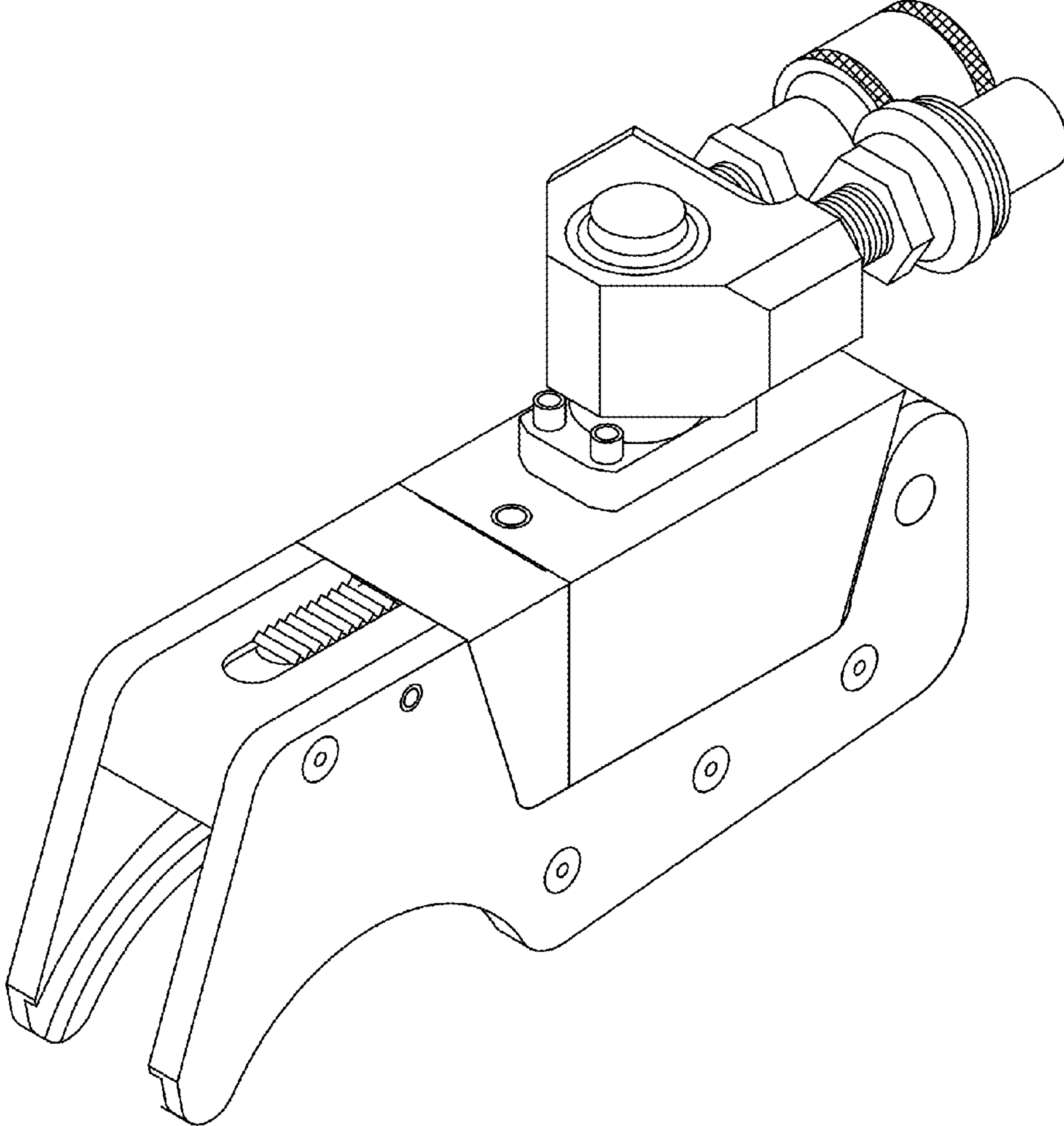


FIG. 8



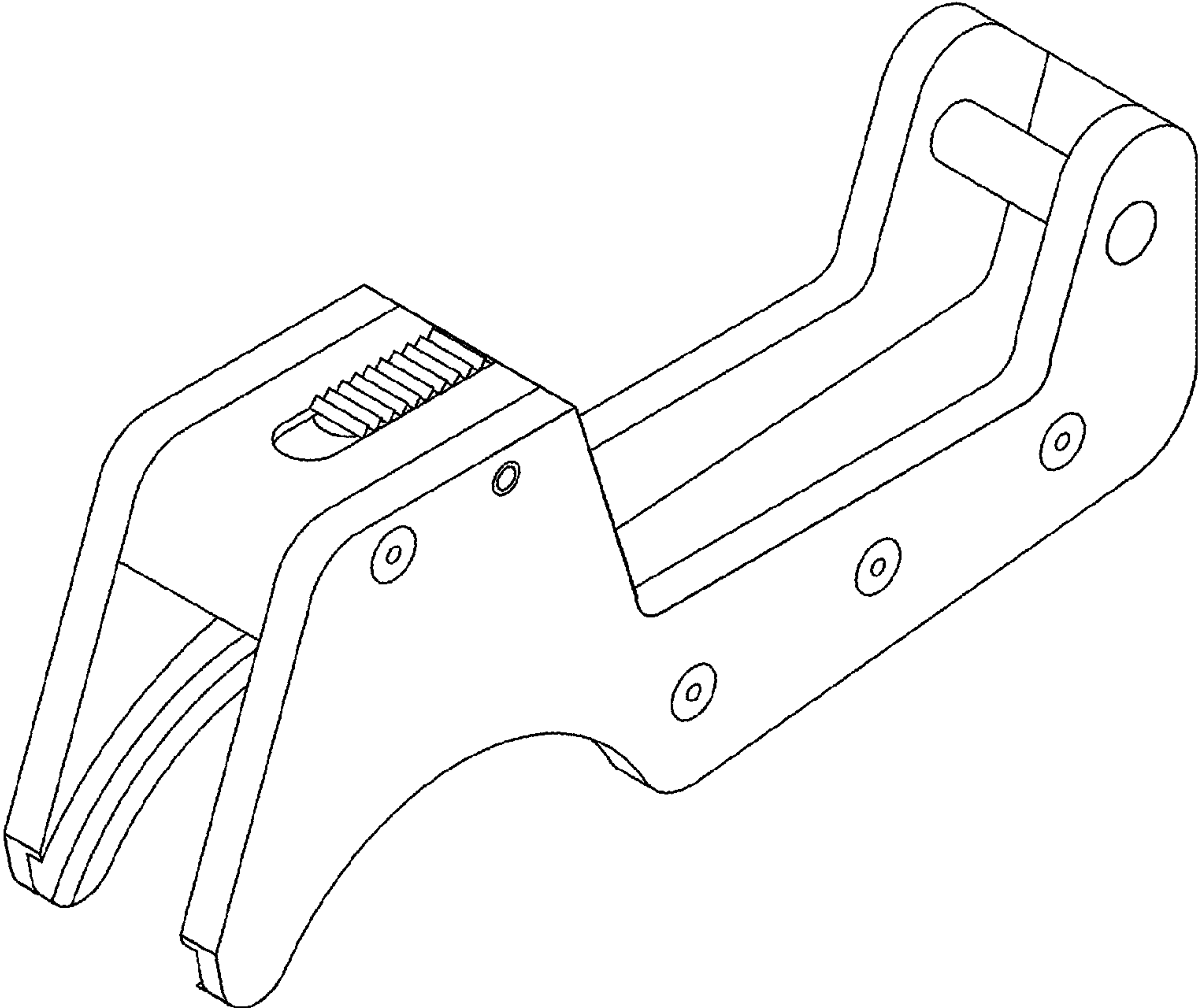


FIG. 9

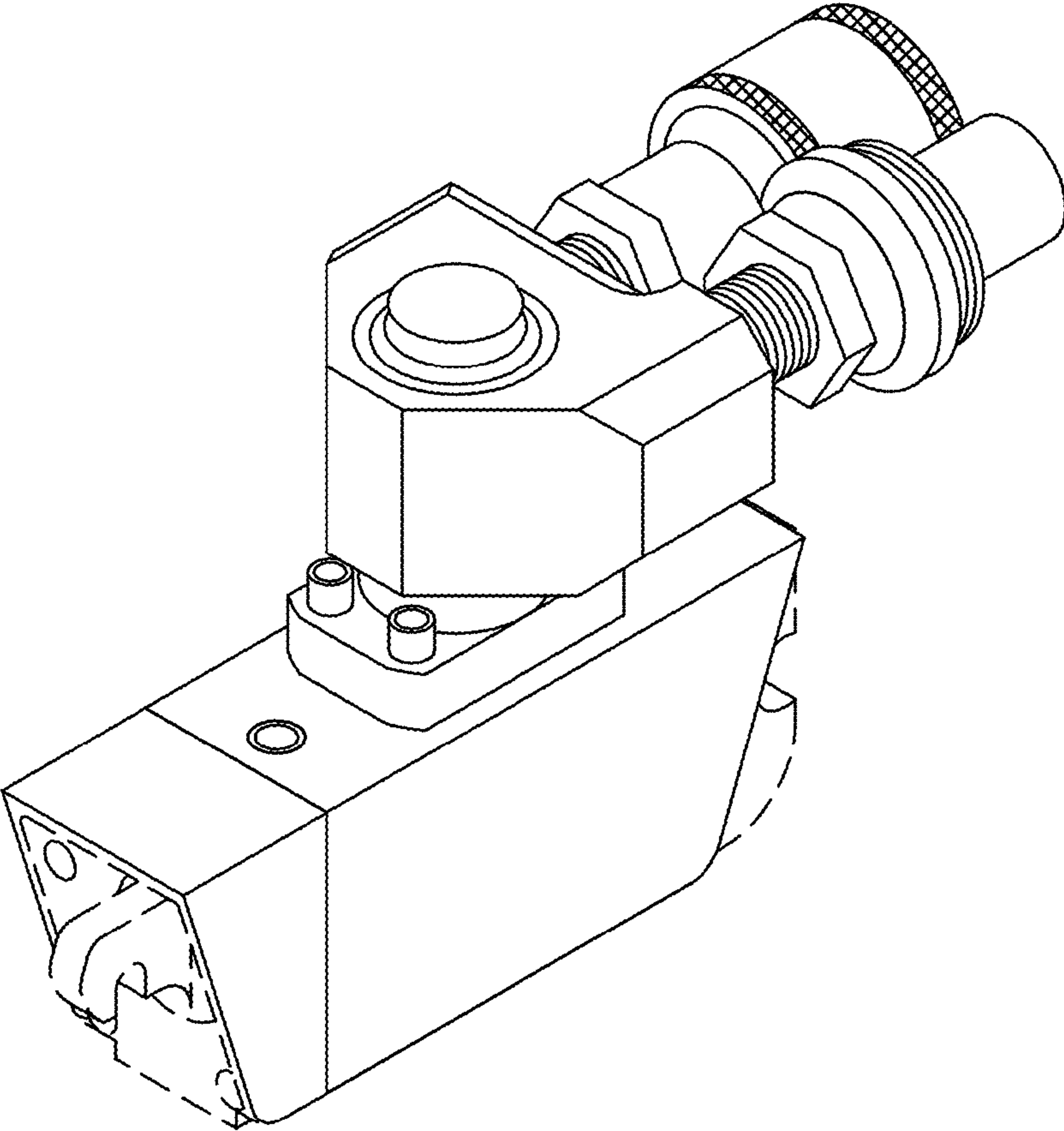


FIG. 10

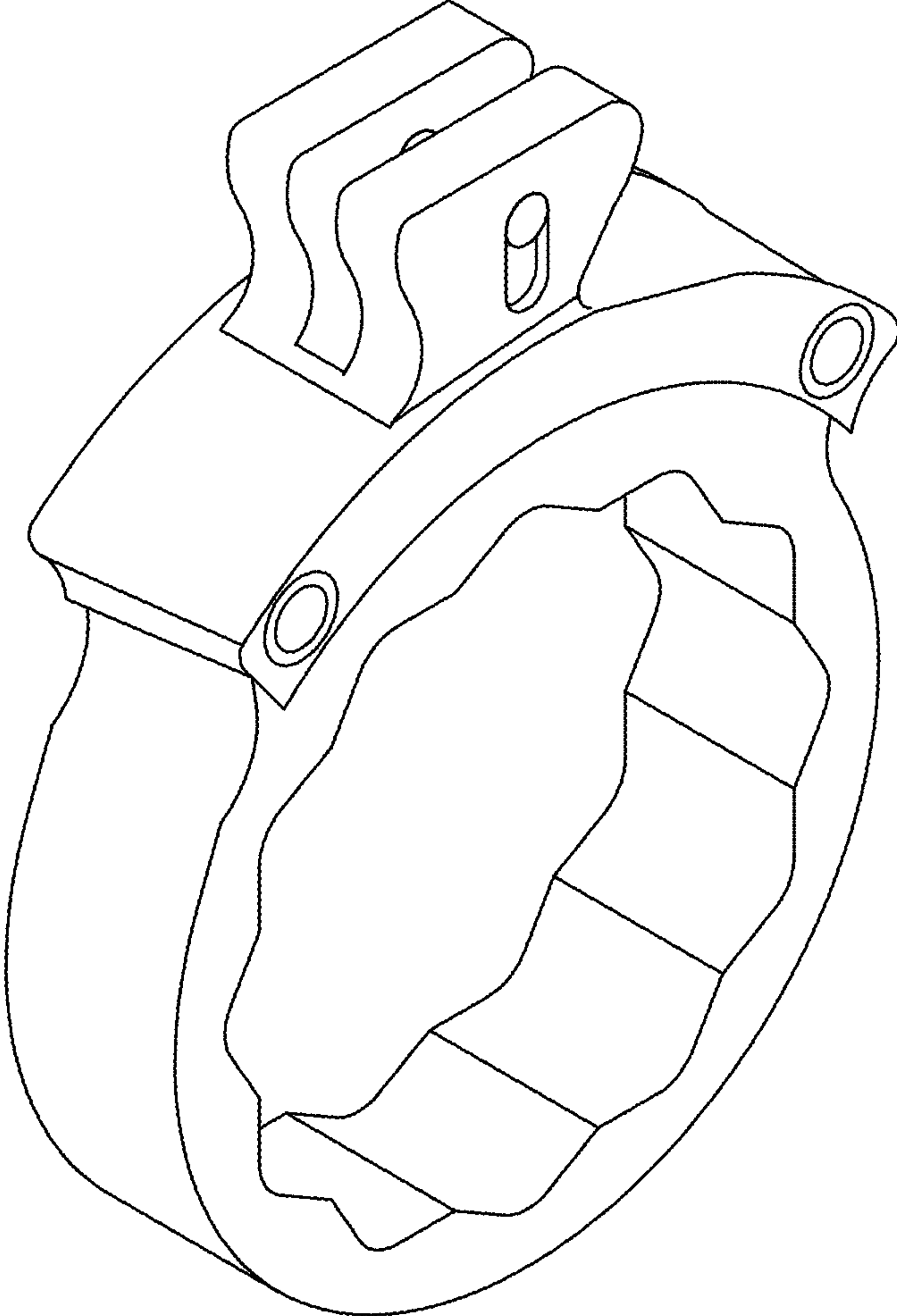


FIG. 11