



US00D732914S

(12) **United States Design Patent**  
**Hampton et al.**

(10) **Patent No.:** **US D732,914 S**

(45) **Date of Patent:** **\*\* Jun. 30, 2015**

- (54) **RECIPROCATING SAW BLADE**
- (71) Applicant: **Irwin Industrial Tool Company**,  
Huntersville, NC (US)
- (72) Inventors: **Stephen A. Hampton**, East  
Longmeadow, MA (US); **Douglas K.**  
**Fosberg**, Wilbraham, MA (US); **Poinon**  
**Z. Sanogo**, Chicopee, MA (US)
- (73) Assignee: **IRWIN INDUSTRIAL TOOL**  
**COMPANY**, Huntersville, NC (US)
- (\*\*) Term: **14 Years**
- (21) Appl. No.: **29/472,533**
- (22) Filed: **Nov. 13, 2013**
- (51) **LOC (10) Cl.** ..... **08-03**
- (52) **U.S. Cl.**  
USPC ..... **D8/20**
- (58) **Field of Classification Search**  
USPC ..... D8/16, 18-20, 70, 98-101, 105;  
D15/133, 139; 7/158, 166; 30/144,  
30/166.3, 346, 351, 355, 208; 83/835,  
83/837, 838, 846, 847, 848, 849, 850-855  
See application file for complete search history.

3,028,889	A *	4/1962	McCarty	.....	83/852
3,033,251	A *	5/1962	Atkinson et al.	.....	83/835
3,111,970	A *	11/1963	Priest et al.	.....	83/855
3,292,674	A *	12/1966	Turner	.....	83/848
3,314,456	A *	4/1967	Craven	.....	83/837

(Continued)

**FOREIGN PATENT DOCUMENTS**

GB	715294	9/1954
JP	480379	7/1978

(Continued)

**OTHER PUBLICATIONS**

Lenox Tools, "Lenox Product Catalog," 2013, 8 pages.

(Continued)

*Primary Examiner* — Elizabeth Albert

(57) **CLAIM**

The ornamental design for a "reciprocating saw blade," as shown and described.

**DESCRIPTION**

FIG. 1 is a front perspective view of a reciprocating saw blade showing our new design;  
 FIG. 2 is a front view thereof;  
 FIG. 3 is a top view thereof;  
 FIG. 4 is a rear view thereof;  
 FIG. 5 is a bottom view thereof;  
 FIG. 6 is a left side view thereof; and,  
 FIG. 7 is a right side view thereof.

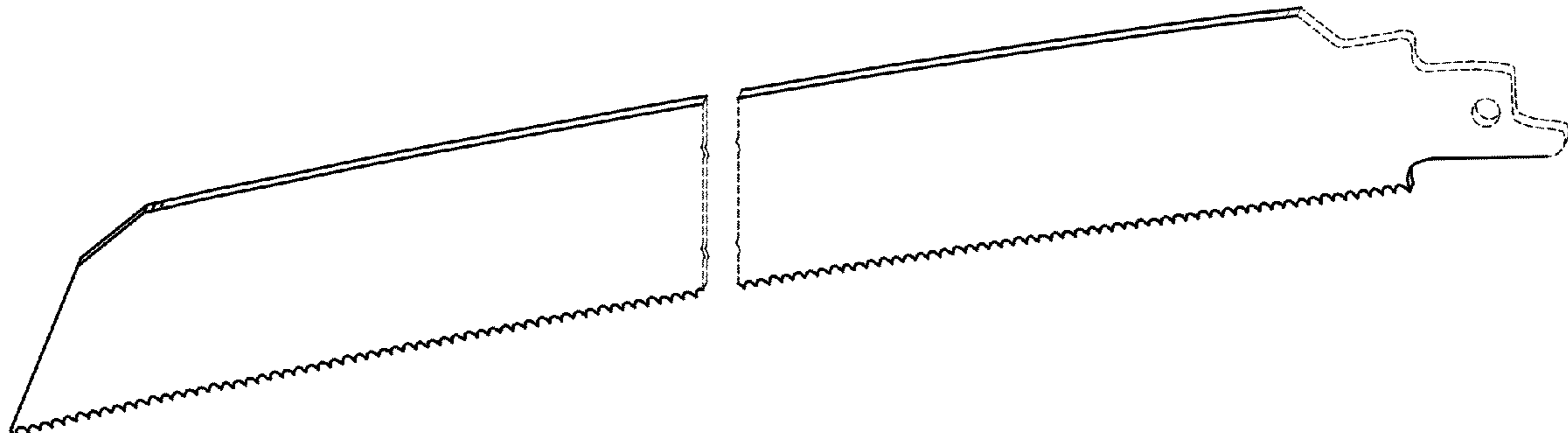
The broken lines in the figures are included for the purpose of showing portions of the reciprocating saw blade that form no part of the claimed design. The appearance of any portion of the reciprocating saw blade between the break lines forms no part of the claimed design. The claimed design includes only the top, bottom and left side edges of the reciprocating saw blade and none of the surface in between.

**1 Claim, 6 Drawing Sheets**

(56) **References Cited**

**U.S. PATENT DOCUMENTS**

296,241	A	4/1884	Stansbury		
1,222,195	A *	4/1917	Foley	.....	76/112
2,126,382	A *	8/1938	Goff et al.	.....	83/661
2,227,864	A *	1/1941	Lerned	.....	83/846
2,241,703	A *	5/1941	Gommel	.....	83/853
2,242,137	A *	5/1941	Miller	.....	30/166.3
2,394,035	A *	2/1946	Blum	.....	83/838
2,568,870	A *	9/1951	Lerned	.....	83/846
2,735,458	A	4/1952	Buchmann		
2,635,327	A *	4/1953	Enlow	.....	83/850
2,637,355	A *	5/1953	Chapin	.....	83/850
2,826,941	A *	3/1958	Kolesh	.....	76/112



(56)

## References Cited

## U.S. PATENT DOCUMENTS

3,357,462 A \* 12/1967 Craven ..... 83/854  
 3,374,815 A \* 3/1968 Anderson, Jr. et al. .... 83/852  
 3,630,699 A \* 12/1971 Catlin ..... 51/293  
 3,805,383 A 4/1974 McNally  
 4,179,967 A \* 12/1979 Clark ..... 83/846  
 4,232,578 A \* 11/1980 Stellingner et al. .... 83/661  
 D257,943 S \* 1/1981 Finlay ..... D8/95  
 RE31,433 E \* 11/1983 Clark ..... 83/846  
 4,557,172 A \* 12/1985 Yoneda ..... 83/848  
 4,727,788 A \* 3/1988 Yoshida et al. .... 83/848  
 4,802,396 A \* 2/1989 Kuklinski ..... 83/849  
 D306,817 S \* 3/1990 McMorrough ..... D8/95  
 4,958,546 A \* 9/1990 Yoshida et al. .... 83/848  
 5,018,421 A \* 5/1991 Lucki et al. .... 83/835  
 5,119,708 A 6/1992 Musgrove  
 5,295,426 A \* 3/1994 Planchon ..... 83/846  
 5,331,876 A \* 7/1994 Hayden, Sr. .... 83/661  
 5,410,935 A \* 5/1995 Holston et al. .... 83/851  
 5,425,296 A \* 6/1995 Kullmann et al. .... 83/846  
 5,477,763 A \* 12/1995 Kullman ..... 83/846  
 5,501,129 A \* 3/1996 Armstrong et al. .... 83/848  
 5,603,252 A \* 2/1997 Hayden, Sr. .... 83/851  
 5,606,900 A \* 3/1997 Stoddard ..... 83/846  
 5,697,280 A \* 12/1997 Armstrong et al. .... 83/848  
 5,848,473 A \* 12/1998 Brandenburg, Jr. .... 30/514  
 5,868,058 A \* 2/1999 Senegas ..... 83/846  
 6,003,422 A \* 12/1999 Holston ..... 83/661  
 D420,262 S 2/2000 Khachatoorian  
 6,125,544 A 10/2000 Eriksson et al.  
 6,145,426 A \* 11/2000 Ward et al. .... 83/835  
 6,158,324 A \* 12/2000 Kullmann et al. .... 83/848  
 6,178,646 B1 \* 1/2001 Schnell et al. .... 30/392  
 6,220,140 B1 \* 4/2001 Hellebergh ..... 83/851  
 6,230,411 B1 \* 5/2001 Wall et al. .... 30/376  
 6,244,152 B1 \* 6/2001 Di Nicolantonio ..... 83/835  
 6,276,248 B1 \* 8/2001 Cranna ..... 83/848  
 6,357,124 B1 \* 3/2002 Wall et al. .... 30/376  
 6,439,094 B1 \* 8/2002 Yoneda et al. .... 83/835  
 D465,138 S \* 11/2002 Raines ..... D8/20  
 6,532,855 B1 \* 3/2003 Ward et al. .... 83/835  
 6,598,509 B2 \* 7/2003 Cook et al. .... 83/835  
 D482,945 S \* 12/2003 Grolimund ..... D8/20  
 6,782,781 B2 8/2004 Rack  
 6,834,573 B1 \* 12/2004 Nakahara ..... 83/851  
 7,036,415 B2 \* 5/2006 Tsujimoto ..... 83/661  
 D527,233 S 8/2006 Burke  
 7,127,979 B2 \* 10/2006 Kocher et al. .... 83/848  
 7,131,365 B2 \* 11/2006 Hall et al. .... 83/846  
 D534,401 S \* 1/2007 Duffin et al. .... D8/20  
 7,174,823 B2 \* 2/2007 Cranna ..... 83/848  
 7,225,714 B2 \* 6/2007 Rompel et al. .... 83/835  
 7,568,416 B2 \* 8/2009 Tsujimoto ..... 83/846  
 7,600,458 B2 \* 10/2009 Hampton et al. .... 83/698.11  
 D606,820 S \* 12/2009 Burke, III ..... D8/20  
 D608,611 S \* 1/2010 Lowder ..... D8/20  
 D623,490 S \* 9/2010 Lauber ..... D8/20  
 7,806,033 B2 \* 10/2010 Kocher et al. .... 83/835  
 D642,028 S \* 7/2011 Fosberg et al. .... D8/20  
 8,210,081 B2 7/2012 Elliston et al.  
 8,261,456 B2 \* 9/2012 Scott et al. .... 30/517  
 D686,049 S 7/2013 Ji  
 D686,470 S \* 7/2013 Ji ..... D8/20

D693,661 S \* 11/2013 Fosberg et al. .... D8/20  
 8,607,464 B2 \* 12/2013 Scott et al. .... 30/517  
 2001/0004860 A1 \* 6/2001 Kullmann et al. .... 83/846  
 2001/0006017 A1 7/2001 Osada et al.  
 2001/0015120 A1 \* 8/2001 Hickey ..... 83/661  
 2002/0050196 A1 \* 5/2002 Fluhrer et al. .... 83/13  
 2002/0121023 A1 9/2002 Kocher et al.  
 2002/0184988 A1 \* 12/2002 Rohman et al. .... 83/835  
 2003/0010179 A1 \* 1/2003 McLuen ..... 83/848  
 2003/0024354 A1 \* 2/2003 Ward et al. .... 76/58  
 2003/0051593 A1 \* 3/2003 Kocher et al. .... 83/835  
 2004/0035282 A1 \* 2/2004 Tsujimoto ..... 83/849  
 2004/0050234 A1 \* 3/2004 Fluhrer et al. .... 83/835  
 2004/0182218 A1 \* 9/2004 Chao ..... 83/848  
 2004/0255749 A1 \* 12/2004 Hayden, Sr. .... 83/788  
 2005/0172416 A1 \* 8/2005 Feliciano ..... 7/148  
 2005/0211046 A1 \* 9/2005 Thomas et al. .... 83/855  
 2005/0257660 A1 \* 11/2005 Hayden ..... 83/846  
 2005/0262702 A1 \* 12/2005 Hawthorn ..... 30/166.3  
 2006/0065098 A1 \* 3/2006 Cranna ..... 83/661  
 2006/0130628 A1 \* 6/2006 Rompel et al. .... 83/835  
 2006/0130629 A1 \* 6/2006 Rompel et al. .... 83/835  
 2006/0162526 A1 \* 7/2006 Nagano et al. .... 83/835  
 2006/0174495 A1 \* 8/2006 Jumior ..... 30/339  
 2007/0193427 A1 \* 8/2007 Hayden ..... 83/788  
 2007/0199416 A1 \* 8/2007 Cook et al. .... 83/13  
 2007/0214922 A1 \* 9/2007 Cook et al. .... 83/13  
 2007/0251372 A1 \* 11/2007 Petts et al. .... 83/846  
 2008/0121079 A1 \* 5/2008 Hashimoto et al. .... 83/14  
 2008/0307936 A1 \* 12/2008 Elliston et al. .... 83/13  
 2009/0144992 A1 \* 6/2009 Bucks ..... 30/355  
 2009/0145280 A1 \* 6/2009 Bucks et al. .... 83/835  
 2009/0293698 A1 12/2009 Tran et al.  
 2010/0126328 A1 \* 5/2010 Grolimund ..... 83/848  
 2010/0175532 A1 \* 7/2010 Evatt et al. .... 83/835  
 2010/0218389 A1 9/2010 Kalomeris et al.  
 2010/0319201 A1 \* 12/2010 Scott et al. .... 30/166.3  
 2012/0090443 A1 4/2012 Butzen et al.  
 2012/0216656 A1 \* 8/2012 Bucks et al. .... 76/112  
 2012/0297952 A1 11/2012 Butzen et al.  
 2012/0324744 A1 12/2012 Henrickson  
 2013/0031791 A1 \* 2/2013 Butzen et al. .... 30/355  
 2014/0033889 A1 \* 2/2014 Bucks et al. .... 83/852

## FOREIGN PATENT DOCUMENTS

JP 2001-179536 7/2001  
 JP 2011-131317 7/2011  
 JP 2012-143818 8/2012

## OTHER PUBLICATIONS

U.S. Appl. No. 29/472,529, filed Nov. 13, 2013 entitled "Curved Reciprocating Saw Blade," Inventor: Hampton et al.  
 U.S. Appl. No. 29/472,530, filed Nov. 13, 2013 entitled "Curved Reciprocating Saw Blade," Inventor: Hampton et al.  
 U.S. Appl. No. 29/472,532, filed Nov. 13, 2013 entitled "Curved Reciprocating Saw Blade," Inventor: Hampton et al.  
 "Grainger Wholesale Net Price Catalog No. 373 Spring 1988", p. 593.  
 Pruning Saw by T-Rex Extreme, captured web page Mar. 13, 2015.  
 Internet Archive Wayback Machine, captured web page, Feb. 8, 2011-Jan. 21, 2015.

\* cited by examiner



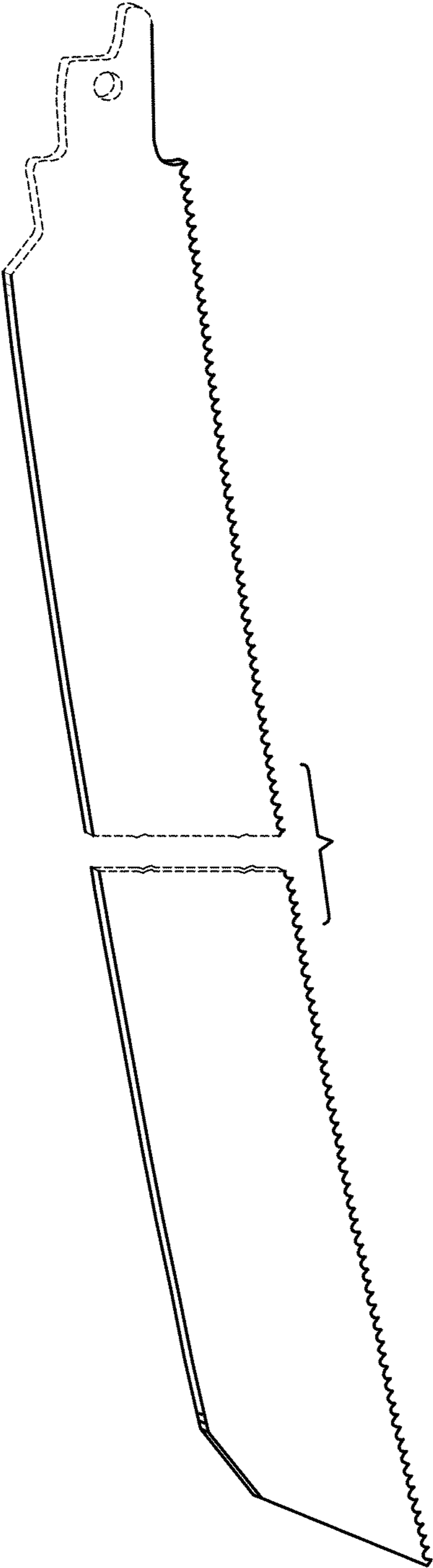


FIG. 1

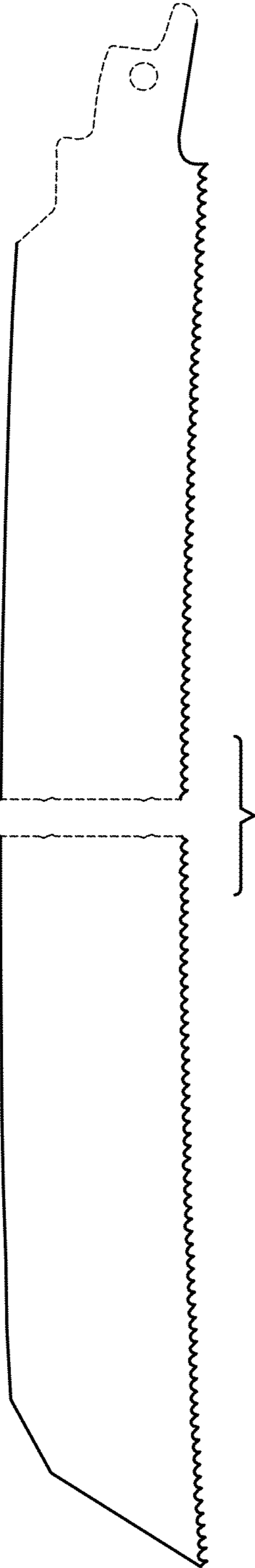


FIG. 2



FIG. 3

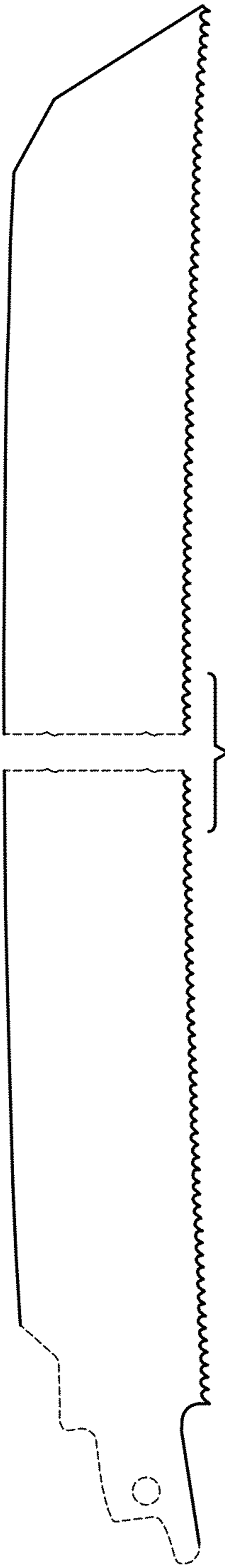


FIG. 4



FIG. 5



FIG. 6



FIG. 7