



US00D732912S

(12) **United States Design Patent**
Cavaliere et al.

(10) **Patent No.:** **US D732,912 S**
(45) **Date of Patent:** **** Jun. 30, 2015**

(54) **LIGHT FIXTURE DISASSEMBLY TOOL**

D599,193 S * 9/2009 Meyer et al. D8/354
D637,477 S * 5/2011 Wall D8/382
D714,624 S * 10/2014 Cayouette D8/381

(71) Applicant: **Lumenpulse Lighting Inc.**, Montreal (CA)

OTHER PUBLICATIONS

(72) Inventors: **David Cavaliere**, Québec (CA); **Yvan Hamel**, Quebec (CA); **Jean-Philippe Pellan**, Québec (CA)

Metal Channel by Jet Black Machine Found on Feb. 5, 2015 on <http://www.kipr.org/node/181>.
Wall Channel Bracket by Crosby Found on Feb. 5, 2015 from 2001 on <http://crosbycompany.com/portfolio-item/heavy-gauge/#prettyPhoto>.

(73) Assignee: **LUMENPULSE LIGHTING INC.**, Montreal (CA)

* cited by examiner

(**) Term: **14 Years**

Primary Examiner — Robert M Spear

(21) Appl. No.: **29/491,949**

Assistant Examiner — Eliza Bennett-Hattan

(22) Filed: **May 27, 2014**

(74) *Attorney, Agent, or Firm* — Burns & Levinson LLP; Joseph M. Maraia

(51) **LOC (10) Cl.** **08-05**

(52) **U.S. Cl.**
USPC **D8/16**

(57) **CLAIM**

The ornamental design for a light fixture disassembly tool, as shown and described.

(58) **Field of Classification Search**

DESCRIPTION

USPC D8/16, 19, 356, 358, 359, 45, 383, 366, D8/380, 373, 381, 364, 363, 376, 382; 248/207, 675, 674, 264; 242/395, 242/405.3, 405.2, 118.7, 542.4, 160.4, 366, 242/400, 370; D3/24, 318; D15/16; 114/101, 200; 160/370; 254/397; D12/163, 223; D9/501, 503, 504, 416, D9/423; D20/43; D19/3; 11/90; D28/49; D13/153, 137.1, 137.4; 320/107; 15/245.1; D5/47, 11

FIG. 1 includes a top front isometric view of the light fixture disassembly tool;
FIG. 2 includes a bottom front isometric view of the light fixture disassembly tool;
FIG. 3 includes a front view of the light fixture disassembly tool;
FIG. 4 includes a rear view of the light fixture disassembly tool;
FIG. 5 includes a left view of the light fixture disassembly tool;
FIG. 6 includes a right view of the light fixture disassembly tool;
FIG. 7 includes a top view of the light fixture disassembly tool;
FIG. 8 includes a bottom view of the light fixture disassembly tool; and,
FIG. 9 includes a perspective view of the light fixture disassembly tool in use.

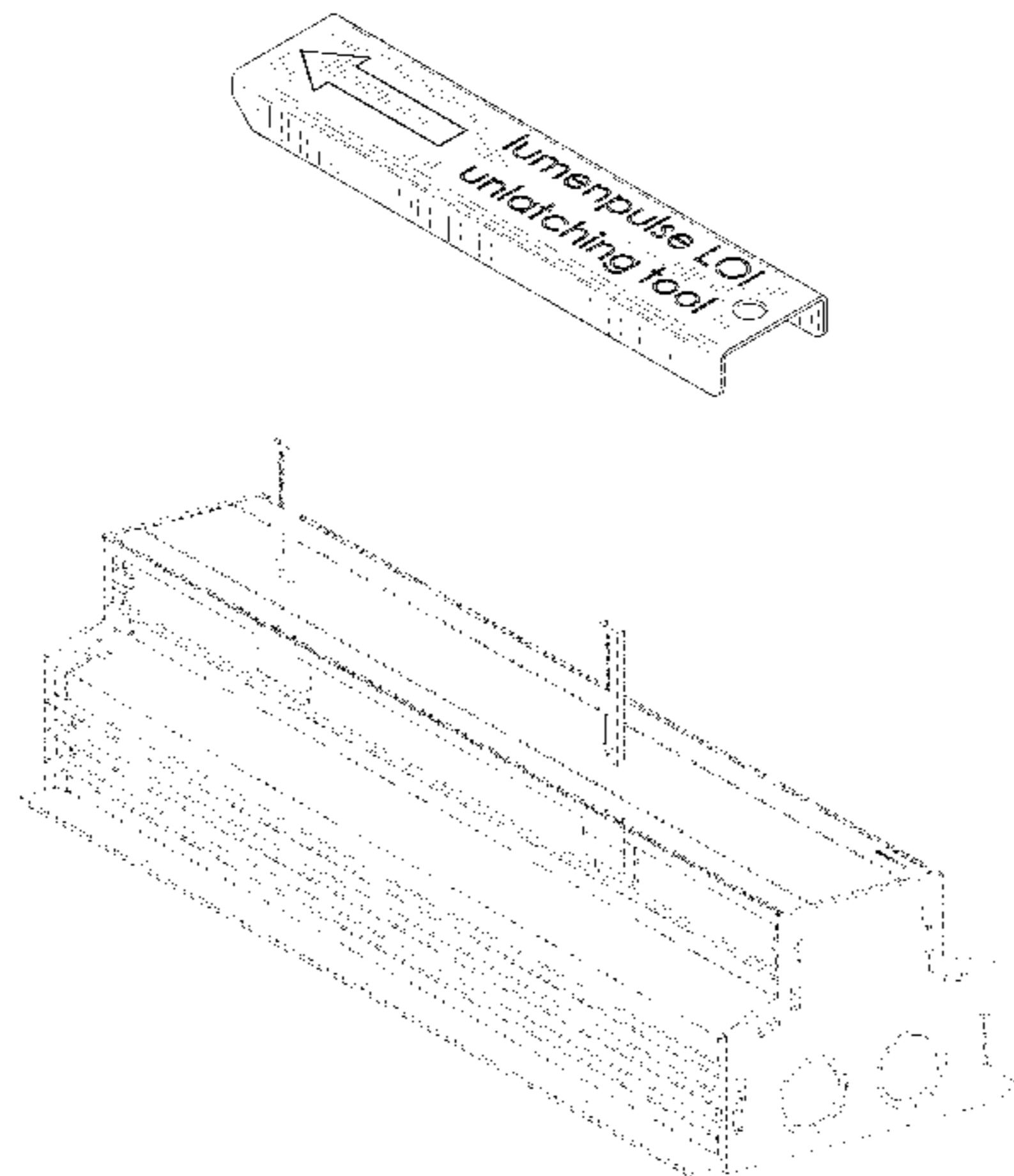
See application file for complete search history.

(56) **References Cited**

U.S. PATENT DOCUMENTS

D273,647 S * 5/1984 Kandarian D6/570
D347,559 S * 6/1994 Piscitelli D8/16
D359,894 S * 7/1995 Pomeroy D8/16
D375,040 S * 10/1996 Miyashita D8/382
D397,270 S * 8/1998 Maalouf D6/601
D548,064 S * 8/2007 Norton D8/380
D563,771 S * 3/2008 Prechtel et al. D8/354
D585,667 S * 2/2009 Levy et al. D6/467

1 Claim, 4 Drawing Sheets



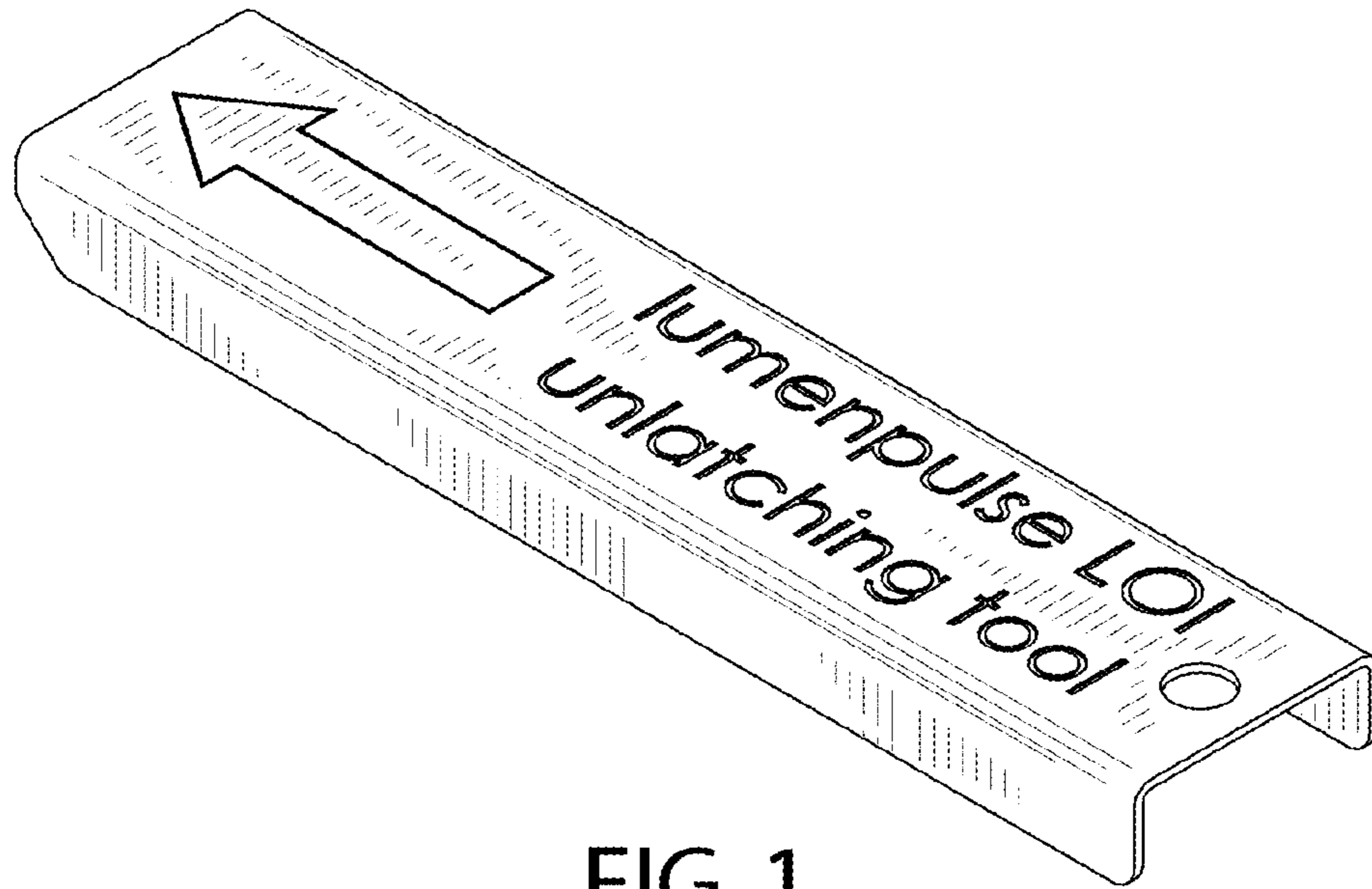


FIG. 1

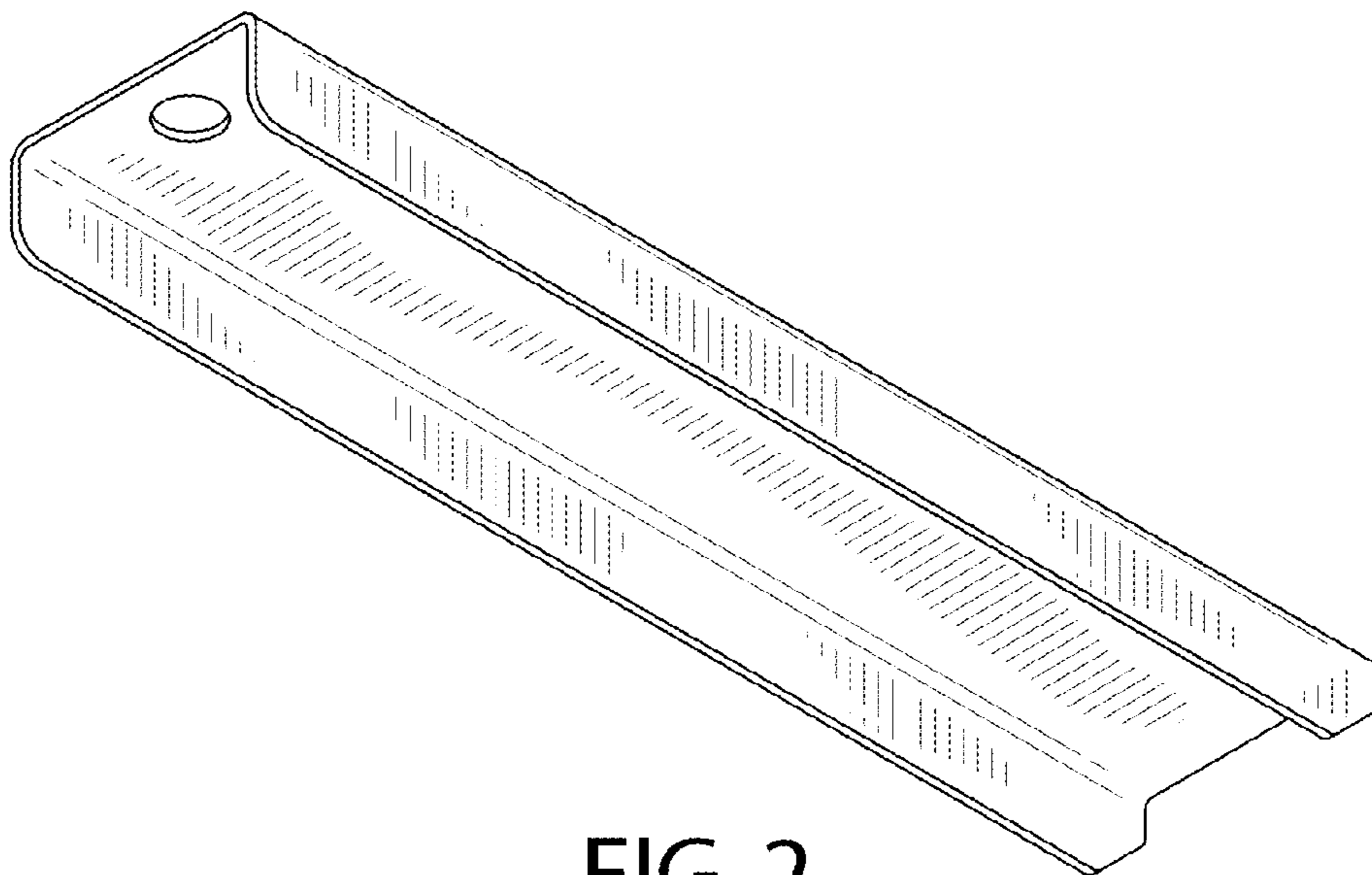


FIG. 2



FIG. 3



FIG. 4

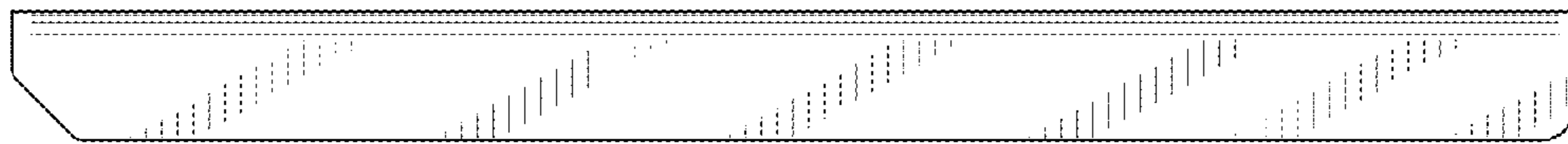


FIG. 5

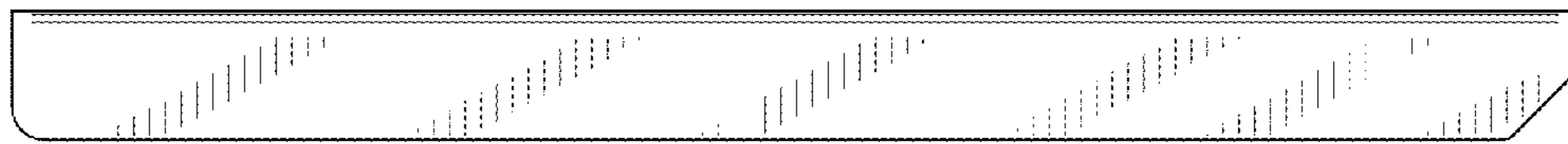


FIG. 6

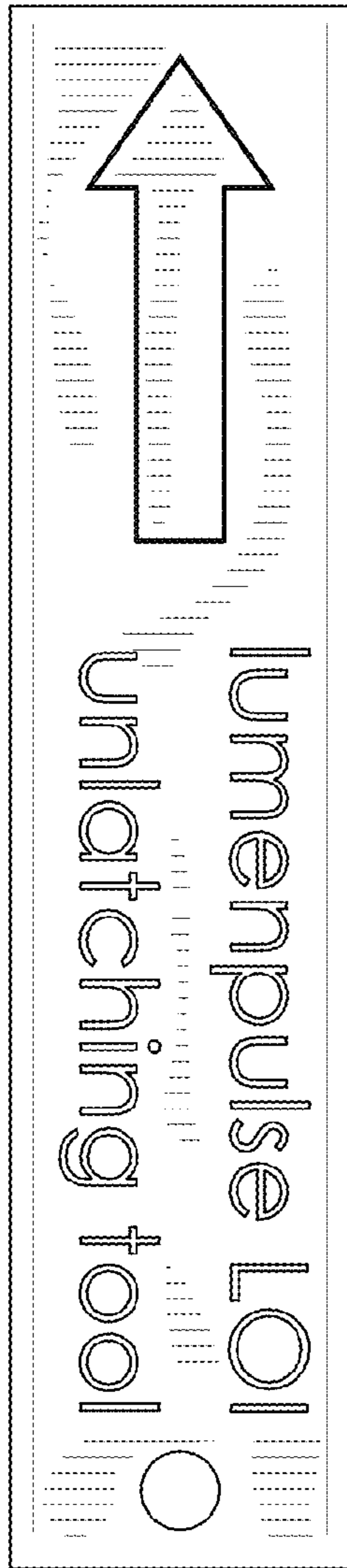


FIG. 7

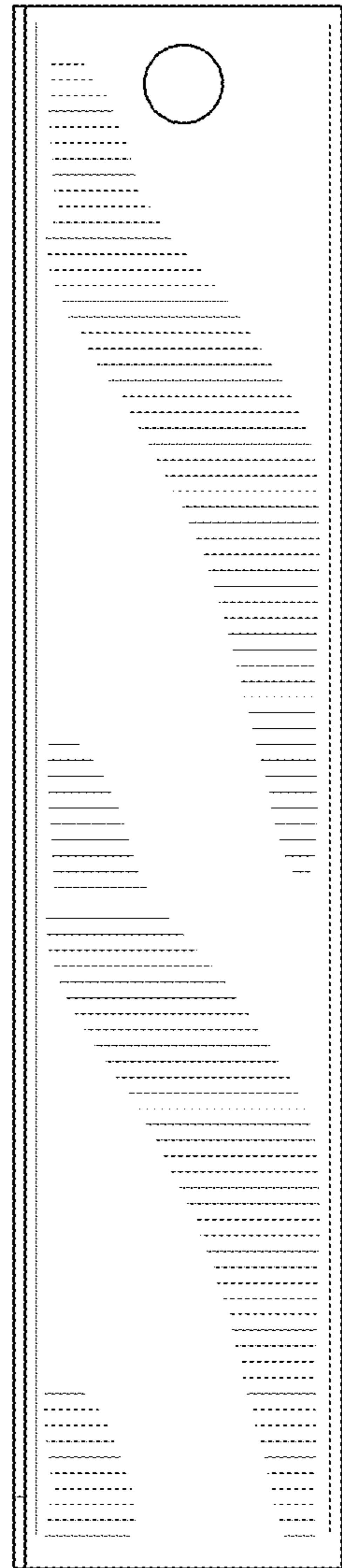


FIG. 8

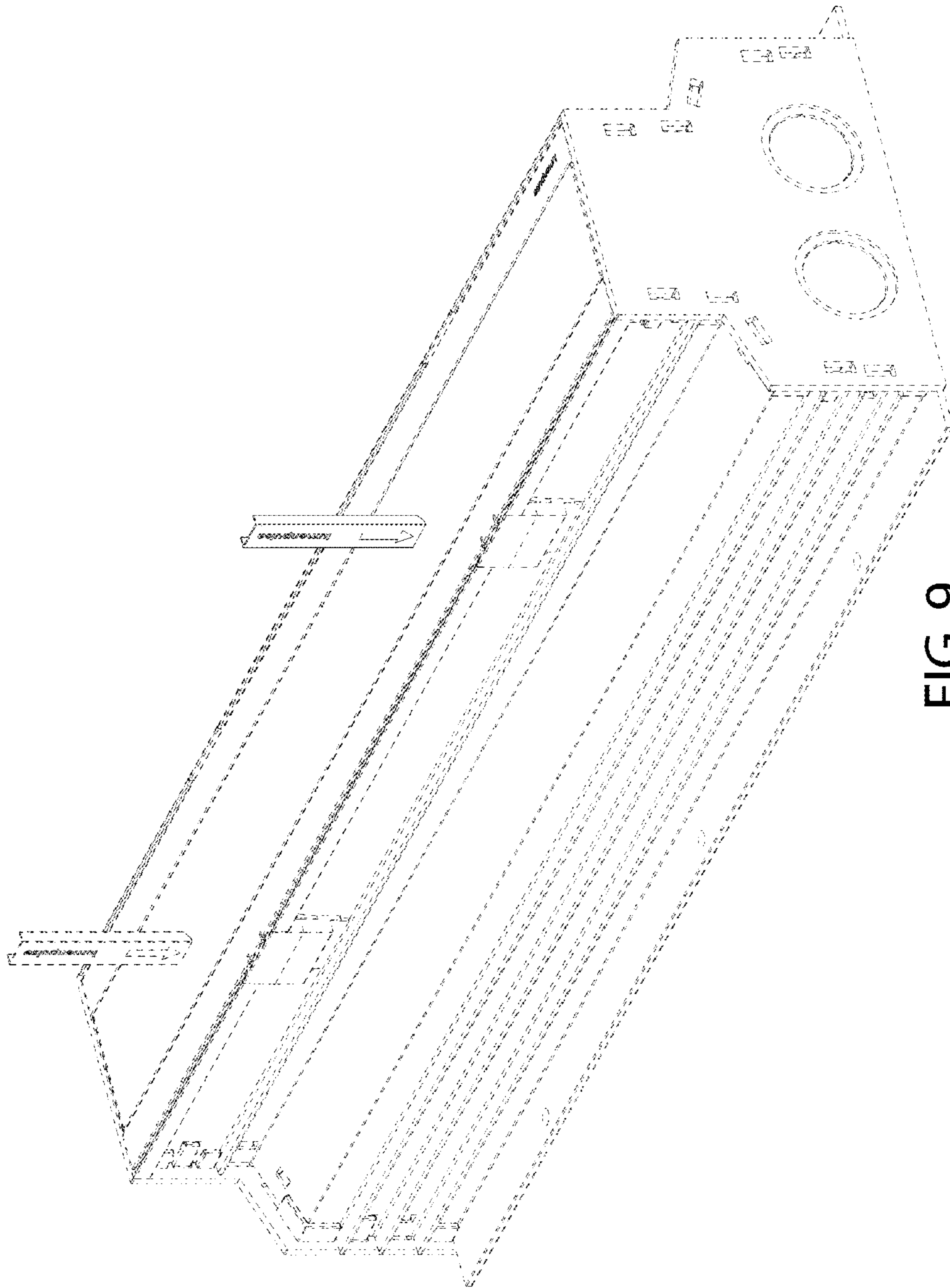


FIG. 9