



US00D732911S

(12) **United States Design Patent**  
**Schiele et al.**

(10) **Patent No.:** **US D732,911 S**  
(45) **Date of Patent:** **\*\* Jun. 30, 2015**

(54) **DISCONNECT TOOL**  
(71) Applicant: **ANDREW WIRELESS SYSTEMS GMBH**, Buchdorf (DE)  
(72) Inventors: **Dieter Schiele**, Harburg (DE); **Hermann Wiedermann**, Buchdorf (DE)  
(73) Assignee: **ANDREW WIRELESS SYSTEMS GMBH**, Buchdorf (DE)

D358,534 S \* 5/1995 Link ..... D8/17  
D369,532 S \* 5/1996 Scutt ..... D8/40  
D402,515 S \* 12/1998 McIntyre ..... D8/17  
D416,178 S \* 11/1999 Moore et al. .... D8/16  
D456,226 S \* 4/2002 Doshay ..... D8/26  
D458,522 S \* 6/2002 Cox ..... D8/17  
6,726,494 B1 4/2004 Tai et al.  
6,733,323 B2 5/2004 Tso-Chin

(Continued)

(\*\*) Term: **14 Years**  
(21) Appl. No.: **29/472,135**  
(22) Filed: **Nov. 8, 2013**

FOREIGN PATENT DOCUMENTS

GB 2215145 A 9/1989

OTHER PUBLICATIONS

“2-in-1 Disconnect Tool (GS-5340S)”, Retrieved from the Internet:  
URL: [http://www.alibaba.com/productgs/335099933/2\\_IN\\_1\\_DISCONNECT\\_TOOL\\_GS.html](http://www.alibaba.com/productgs/335099933/2_IN_1_DISCONNECT_TOOL_GS.html) on Nov. 20, 2012, 2 pages.

**Related U.S. Application Data**

(63) Continuation of application No. 14/024,845, filed on Sep. 12, 2013, now abandoned.  
(51) **LOC (10) Cl.** ..... **08-03**  
(52) **U.S. Cl.**  
USPC ..... **D8/14; D8/17**  
(58) **Field of Classification Search**  
USPC ..... D8/14, 16, 17, 19, 21, 349, 354;  
439/160, 484; 29/267, 278, 764;  
81/3.55, 3.27, 488; 7/166  
CPC ..... B23P 17/04; B25B 27/00  
See application file for complete search history.

*Primary Examiner* — Phillip S Hyder

(74) *Attorney, Agent, or Firm* — Kilpatrick Townsend & Stockton LLP

(57) **CLAIM**

The ornamental design for a disconnect tool, as shown and described.

**DESCRIPTION**

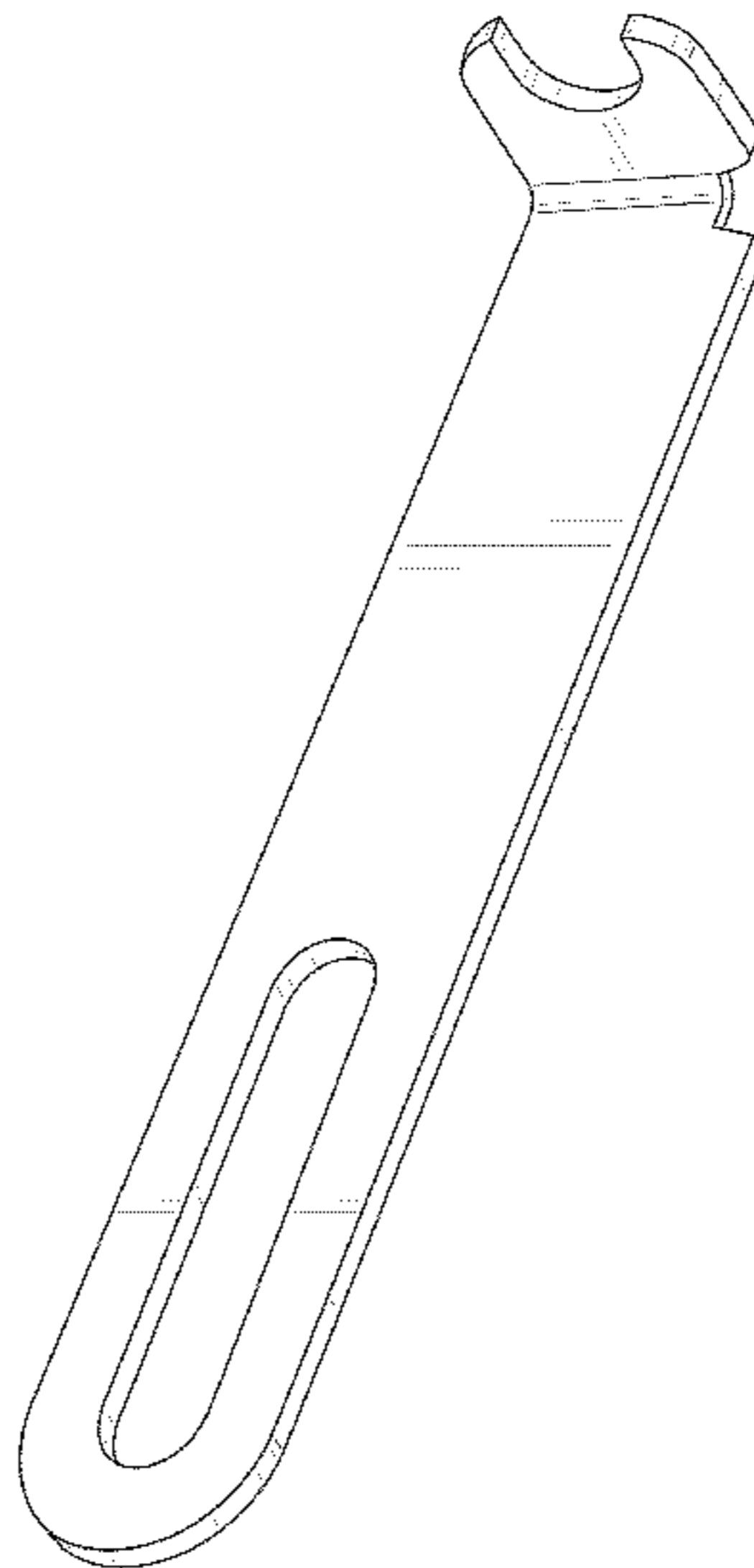
FIG. 1 is a perspective view of a disconnect tool.  
FIG. 2 is a top view of the disconnect tool of FIG. 1.  
FIG. 3 is a bottom view of the disconnect tool of FIG. 1.  
FIG. 4 is a lateral view from the right side of the disconnect tool of FIG. 1.  
FIG. 5 is a lateral view from the left side of the disconnect tool of FIG. 1.  
FIG. 6 is a longitudinal view from the top of the disconnect tool of FIG. 1; and,  
FIG. 7 is a longitudinal view from the bottom of the disconnect tool of FIG. 1.

(56) **References Cited**

U.S. PATENT DOCUMENTS

1,609,732 A \* 12/1926 McLaughlin et al. .... 7/100  
2,618,183 A 11/1952 Cooke  
3,461,534 A 8/1969 Greenspan  
4,334,376 A 6/1982 Winslow  
D268,473 S \* 4/1983 Rust ..... D8/17  
4,685,209 A 8/1987 Takahashi  
5,207,126 A \* 5/1993 Schaben ..... 81/45

**1 Claim, 4 Drawing Sheets**



# US D732,911 S

Page 2

---

(56)

## References Cited

### U.S. PATENT DOCUMENTS

D594,719 S \* 6/2009 Birgl ..... D8/14  
D661,558 S \* 6/2012 Oymaian ..... D8/17

D679,967 S \* 4/2013 Junyong et al. .... D8/17  
D703,501 S \* 4/2014 Junyong et al. .... D8/17  
2010/0170072 A1 7/2010 Elzey  
2011/0219596 A1 9/2011 Oymaian

\* cited by examiner

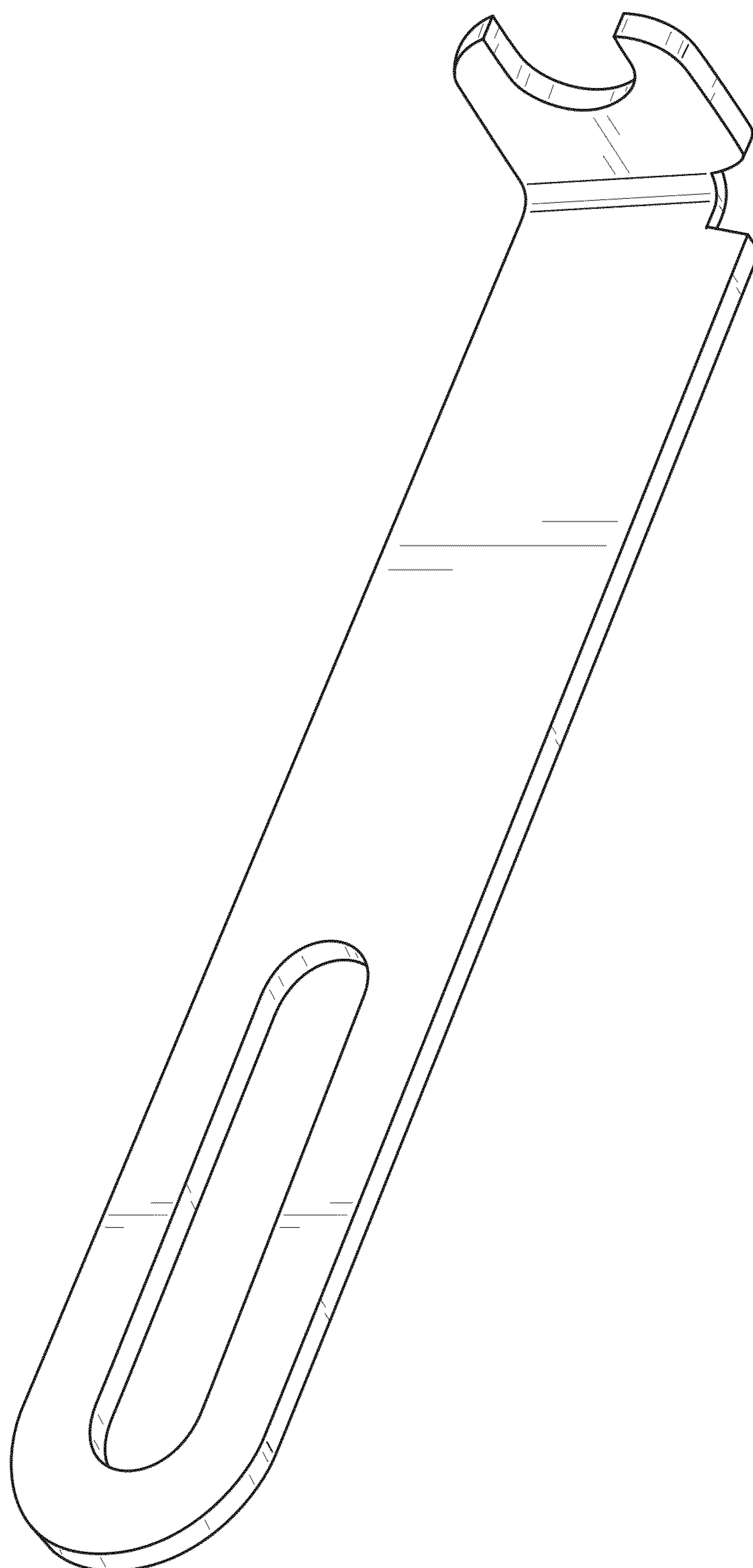


FIG. 1

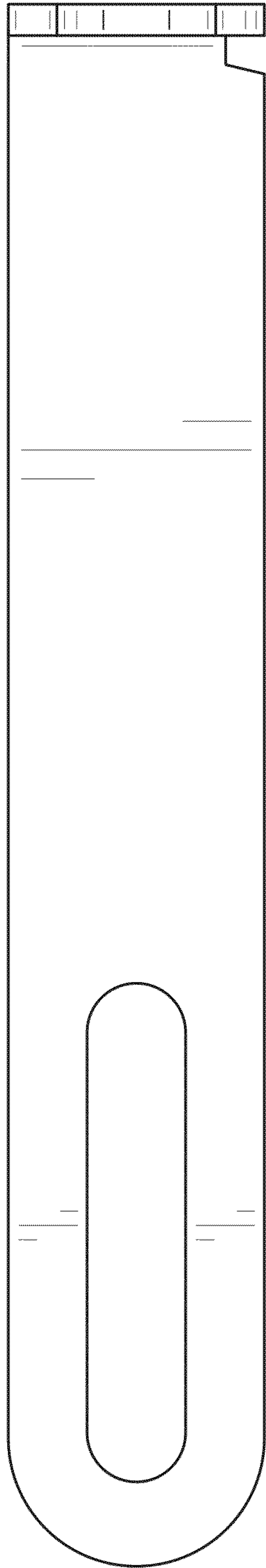


FIG. 2

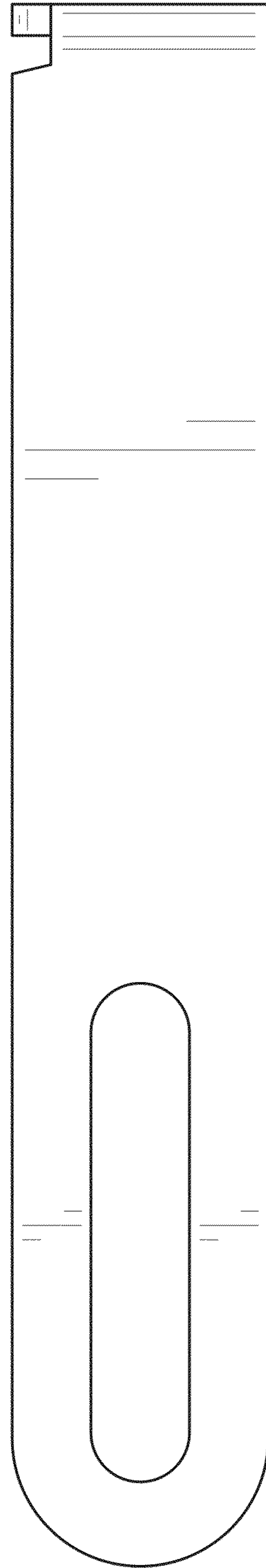


FIG. 3

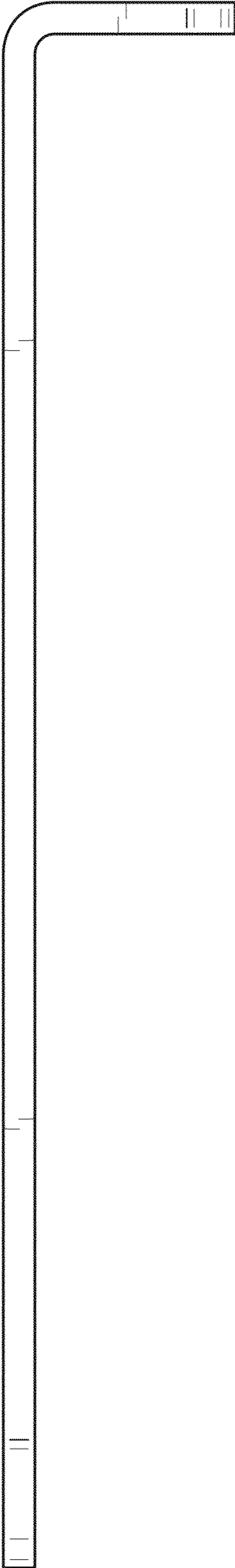


FIG. 4

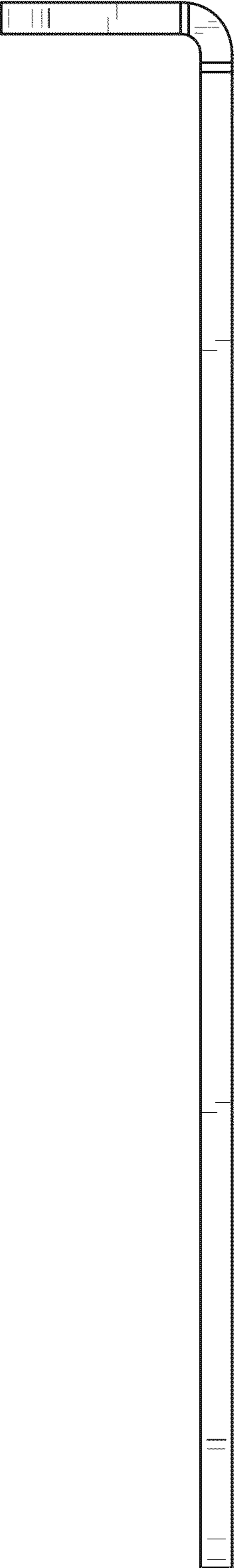


FIG. 5

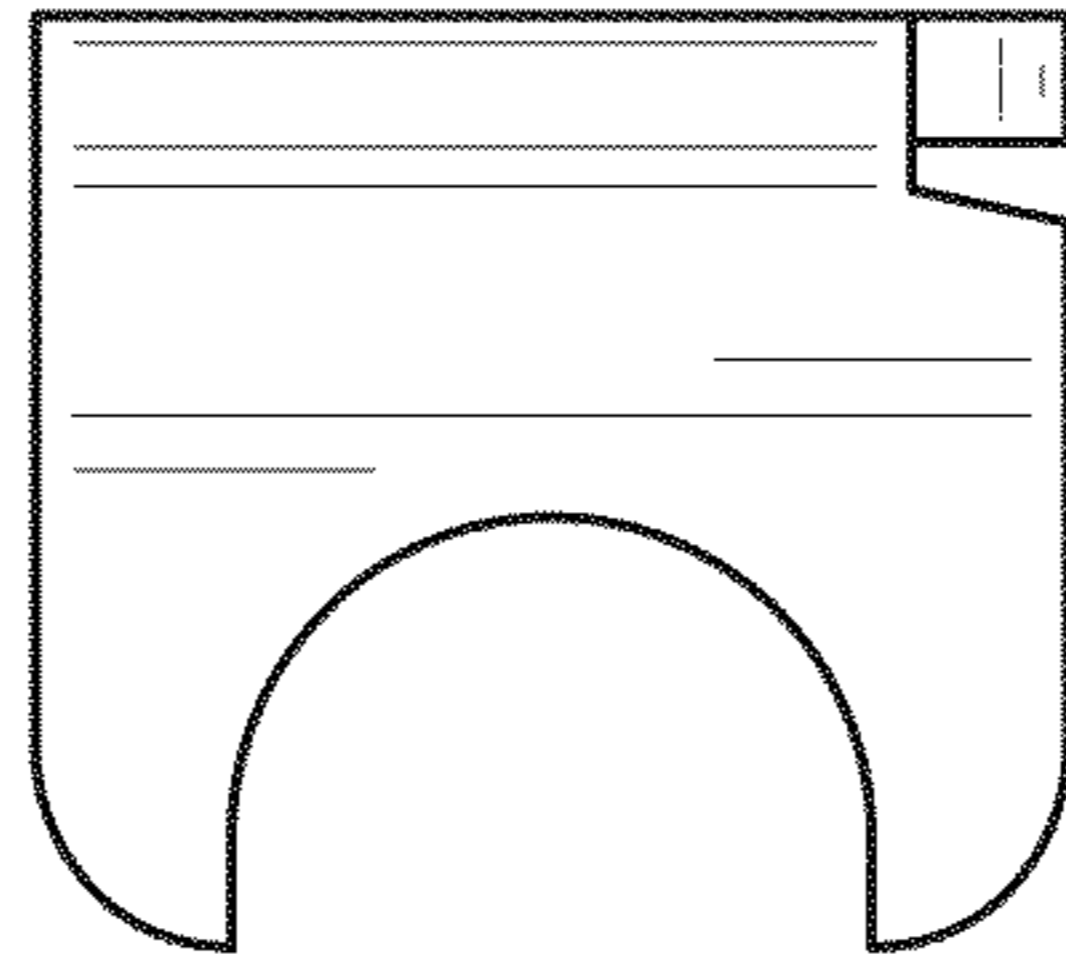


FIG. 6

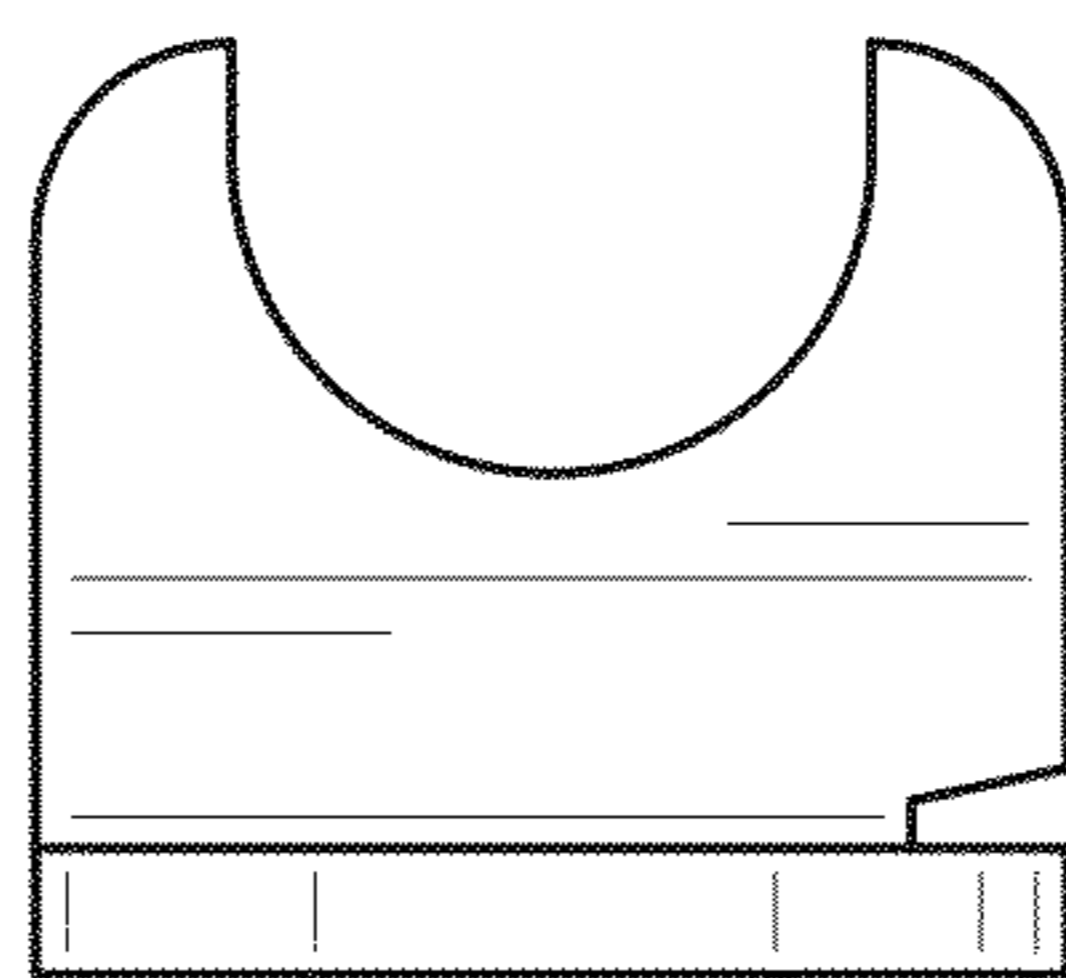


FIG. 7