



US00D732908S

(12) **United States Design Patent**
Cucci

(10) **Patent No.:** **US D732,908 S**
(45) **Date of Patent:** **** Jun. 30, 2015**

- (54) **ROLLER BOARD HOUSING**
- (71) Applicant: **Jennifer Cucci**, Surprise, AZ (US)
- (72) Inventor: **Jennifer Cucci**, Surprise, AZ (US)
- (**) Term: **14 Years**
- (21) Appl. No.: **29/462,476**
- (22) Filed: **Aug. 5, 2013**

3,727,508 A	4/1973	Haapala
4,216,763 A	8/1980	Miklas
4,437,826 A	3/1984	Tezuka

(Continued)

FOREIGN PATENT DOCUMENTS

BE	549356	7/1956
DE	36678	9/1886

(Continued)

OTHER PUBLICATIONS

“Gardner Rollaball Longbase Boilie Maker” for sale on bristolangling.com website, available at <http://www.bristolangling.com/gardner-rollaball-longbase-boilie-maker.html>, website last visited Dec. 30, 2011.

(Continued)

Related U.S. Application Data

- (63) Continuation-in-part of application No. 29/445,489, filed on Feb. 12, 2013, now Pat. No. Des. 691,427, which is a continuation of application No. 29/386,731, filed on Mar. 4, 2011, now Pat. No. Des. 678,001.
- (51) **LOC (10) Cl.** **07-04**
- (52) **U.S. Cl.**
USPC **D7/672**
- (58) **Field of Classification Search**
USPC D7/672–677, 666, 412, 601, 602, 368, D7/354, 357, 323; D15/80, 90; 99/537, 99/538, 508, 430, 349, 353; 62/353, 345; 426/512; 249/92; 425/118, 332, 116; 206/526
CPC A21C 11/00; A21C 9/00; A21C 7/02
See application file for complete search history.

Primary Examiner — Jeffrey D Asch

(74) *Attorney, Agent, or Firm* — Adam R. Stephenson, Ltd.

(57) **CLAIM**

The ornamental design for a roller board housing, as shown and described.

DESCRIPTION

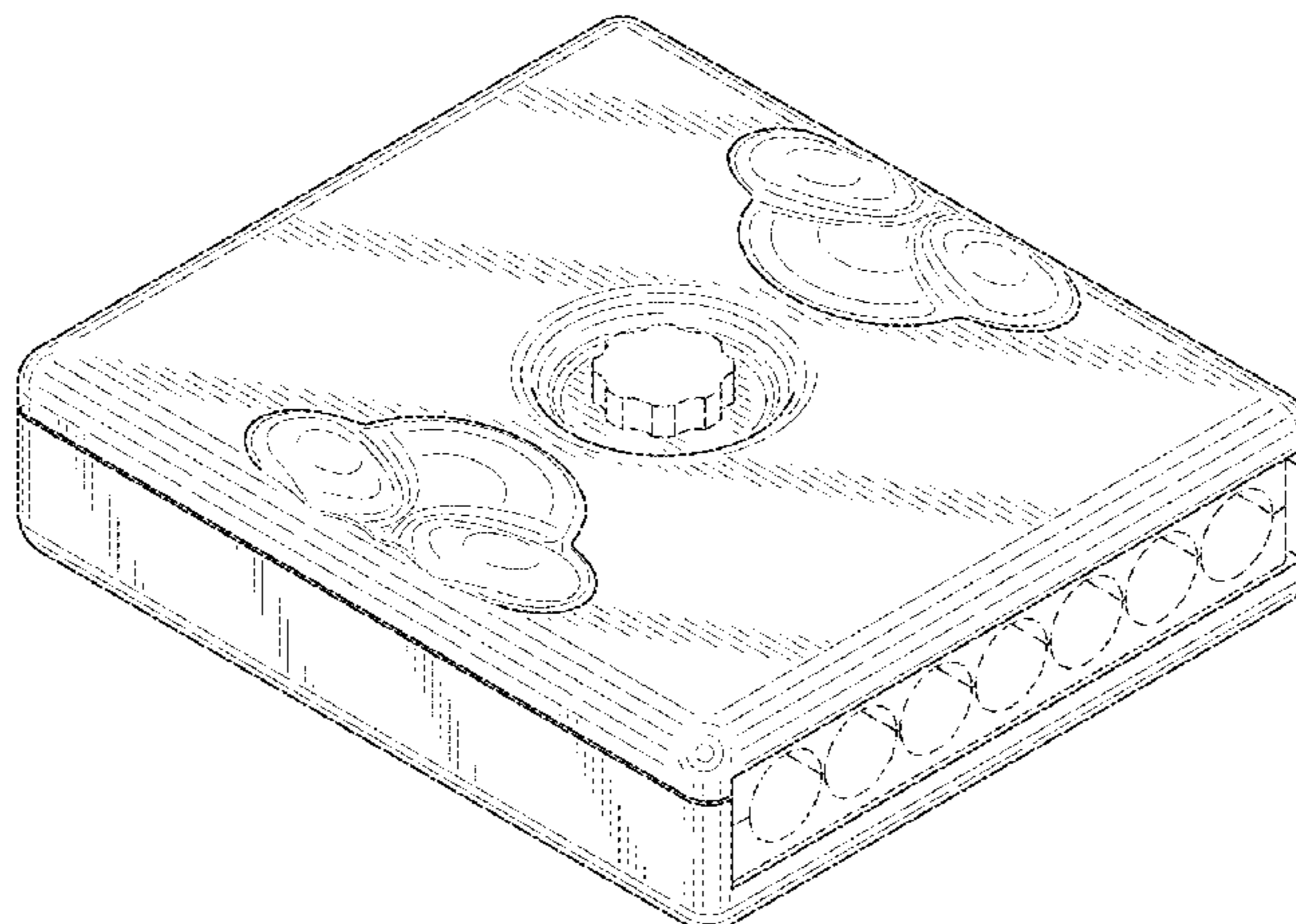
FIG. 1 is a perspective view of a roller board housing; FIG. 2 is a front exploded view thereof; FIG. 3 is a front view thereof, the rear view being a mirror image; FIG. 4 is a right side view thereof, the left side view being a mirror image; FIG. 5 is a top view thereof; and, FIG. 6 is a bottom view thereof. The broken lines showing the interior portions in FIGS. 1-3 and the broken lines showing the knobs in FIGS. 1-6 are for illustrative purposes only and show non-claimed portions of the article in which the claimed design is embodied.

(56) **References Cited**

U.S. PATENT DOCUMENTS

33,136 A	8/1861	Exton
244,030 A	7/1881	Bing
432,127 A	7/1890	Dyke
1,475,316 A	7/1922	Randall
1,425,015 A	8/1922	Hyten et al.
2,134,026 A	10/1938	Brooks
2,288,908 A	7/1941	Kretchman
2,293,109 A	8/1942	Bridge
3,299,835 A	1/1967	Marsili

1 Claim, 5 Drawing Sheets



(56)

References Cited

U.S. PATENT DOCUMENTS

4,516,923 A 5/1985 Lifshitz et al.
 4,604,947 A 8/1986 Pavan
 4,790,740 A 12/1988 Pearlman
 4,862,793 A 9/1989 Steiner
 4,984,978 A 1/1991 Beatty
 D337,030 S 7/1993 Amaral
 5,499,575 A 3/1996 Handel et al.
 5,797,779 A * 8/1998 Stewart 441/74
 6,224,365 B1 5/2001 Ou-Young
 6,247,385 B1 * 6/2001 Wu 81/177.1
 D446,569 S * 8/2001 Chiang D21/803
 D453,326 S * 2/2002 Mujica D14/138 AA
 6,761,108 B1 7/2004 Dreano
 6,843,167 B1 1/2005 Kanafani et al.
 7,065,880 B2 6/2006 Howman et al.
 D528,110 S * 9/2006 Cohn D14/248
 7,213,508 B2 5/2007 Staton
 7,748,305 B2 7/2010 Strenio et al.
 7,850,440 B2 12/2010 Alvidrez
 678,001 A1 3/2013 Cucci
 D678,001 S * 3/2013 Cucci D7/672
 8,851,251 B2 * 10/2014 Sener et al. 190/115
 8,852,484 B2 * 10/2014 Castle et al. 264/310
 2003/0035862 A1 2/2003 Kostival et al.
 2003/0072836 A1 4/2003 Lee
 2004/0055475 A1 3/2004 Canicas
 2004/0212117 A1 10/2004 Lee

2007/0137500 A1 6/2007 Ok et al.
 2012/0219693 A1 8/2012 Juravic et al.
 2012/0222987 A1 9/2012 Cucci

FOREIGN PATENT DOCUMENTS

DE 273153 4/1914
 DE 801260 12/1950
 EP 0259046 3/1988
 FR 345707 12/1904
 FR 426755 7/1911
 FR 973957 2/1951
 FR 1485102 6/1967
 WO WO0172133 10/2001
 WO WO2007080436 7/2007

OTHER PUBLICATIONS

“Fimo Roller—Basic Bead Machine” for sale on ejrbeads.co.uk website, available at http://www.ejrbeads.co.uk/shop/index.php?main_page=product_info&cPath=93_45&products_id=1140&zenid=atrjvb0abrggh38gsrvblja7, website last visited Dec. 30, 2011.
 Marzipan Rollerboard Advertisement, available at http://www.pastrychef.com/MARZIPAN-ROLLERBOARD_p_1073.html, last visited Mar. 3, 2011.
 Lemon and Strawberry Rollerboard Kit/1 Set, Best from Japan, [online], [site visited Jul. 29, 2013]. Available from Internet, <http://bestfromjapan.com/moreinfo.cfm?Product_ID>.

* cited by examiner

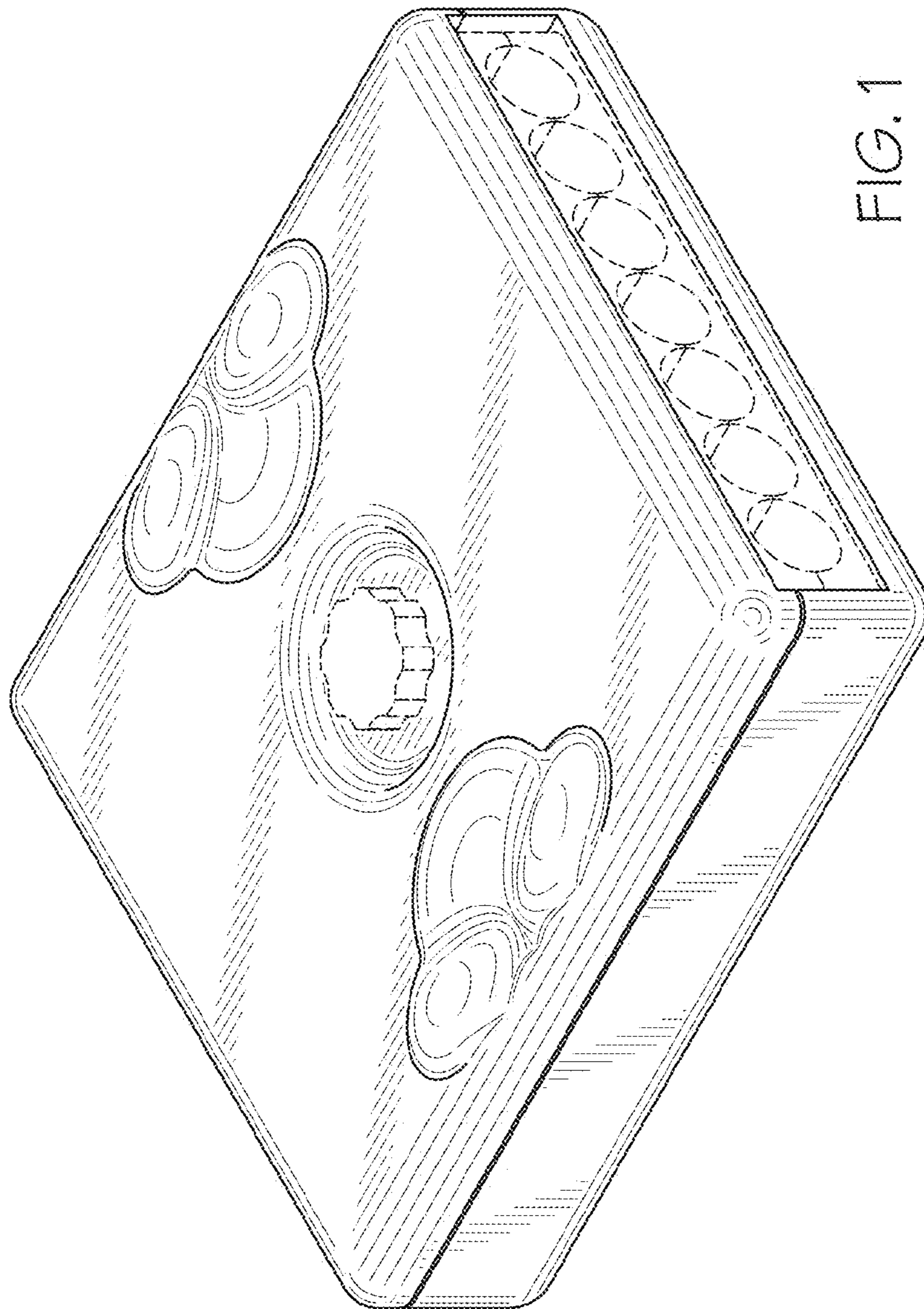


FIG. 1

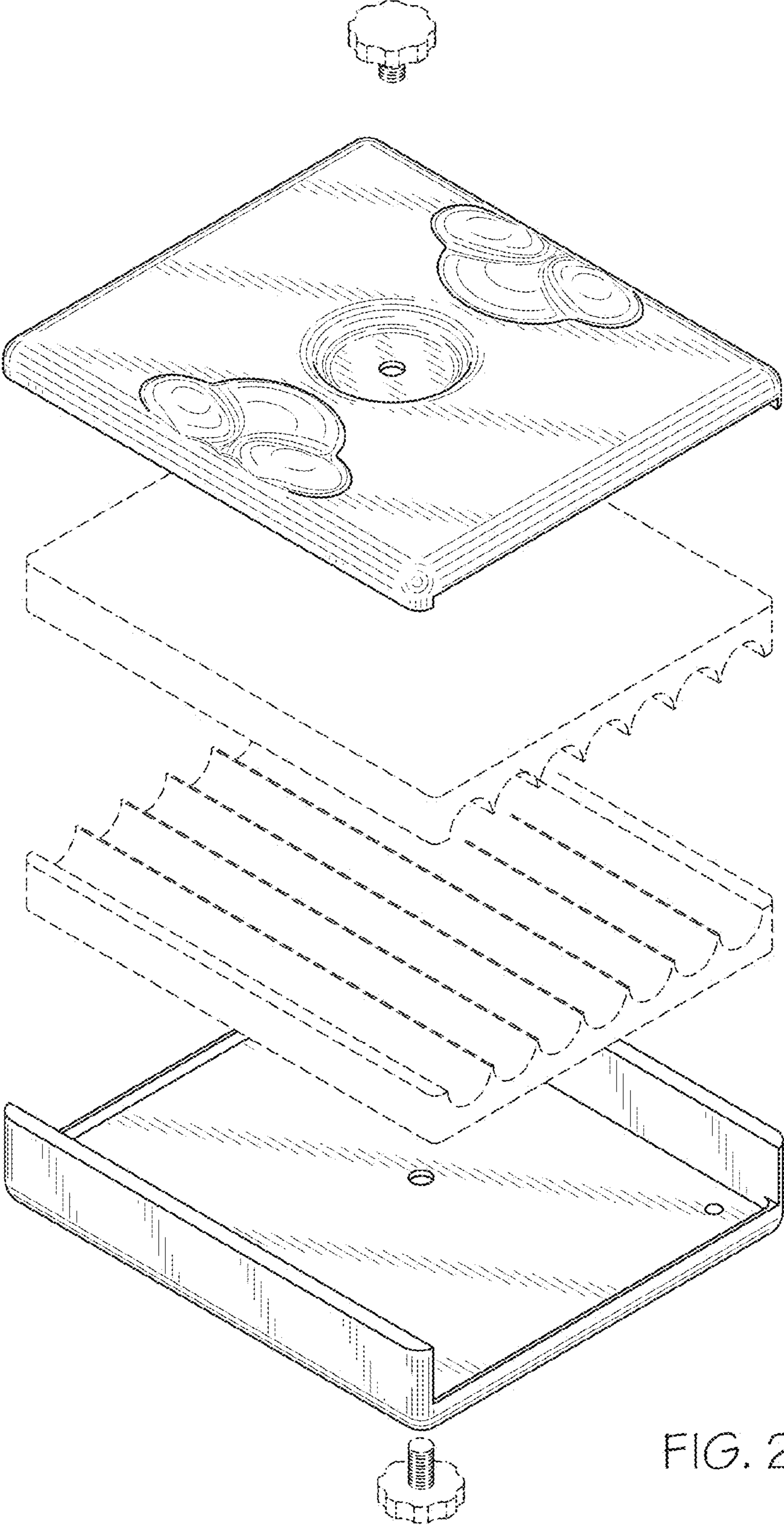


FIG. 2

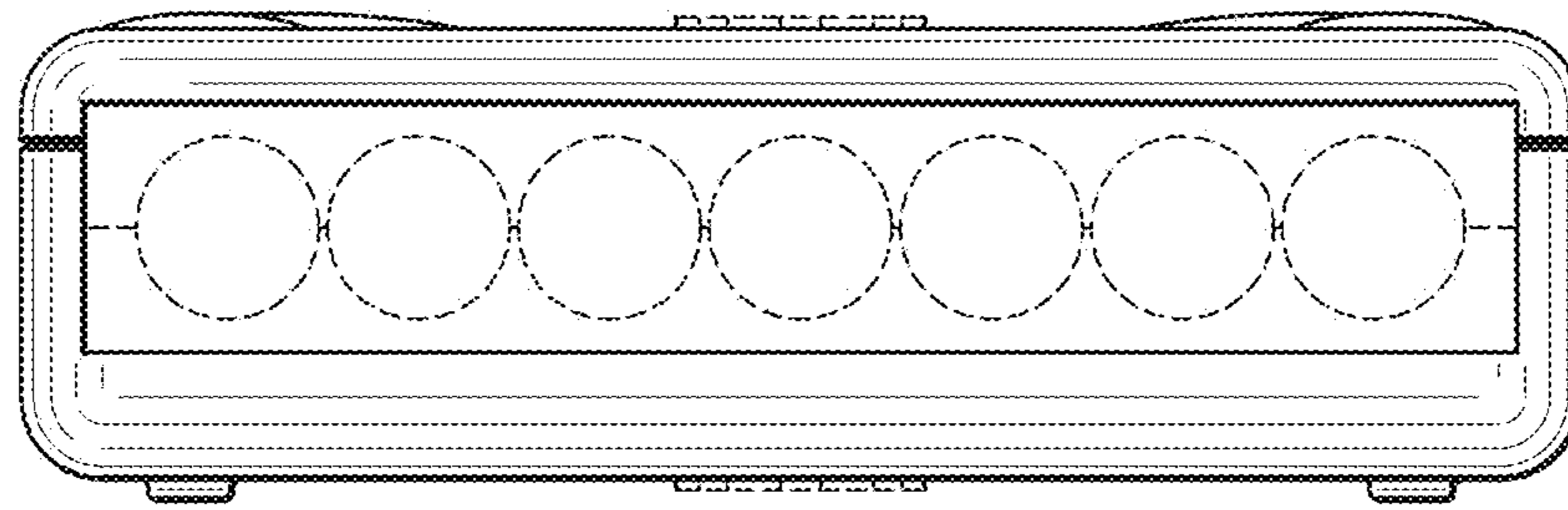


FIG. 3

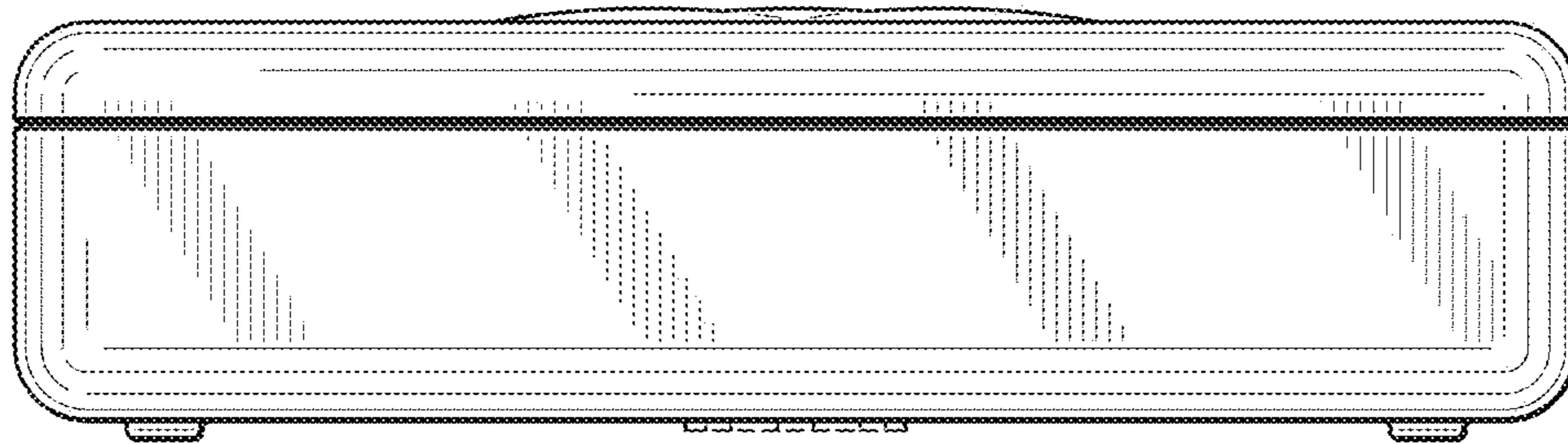


FIG. 4

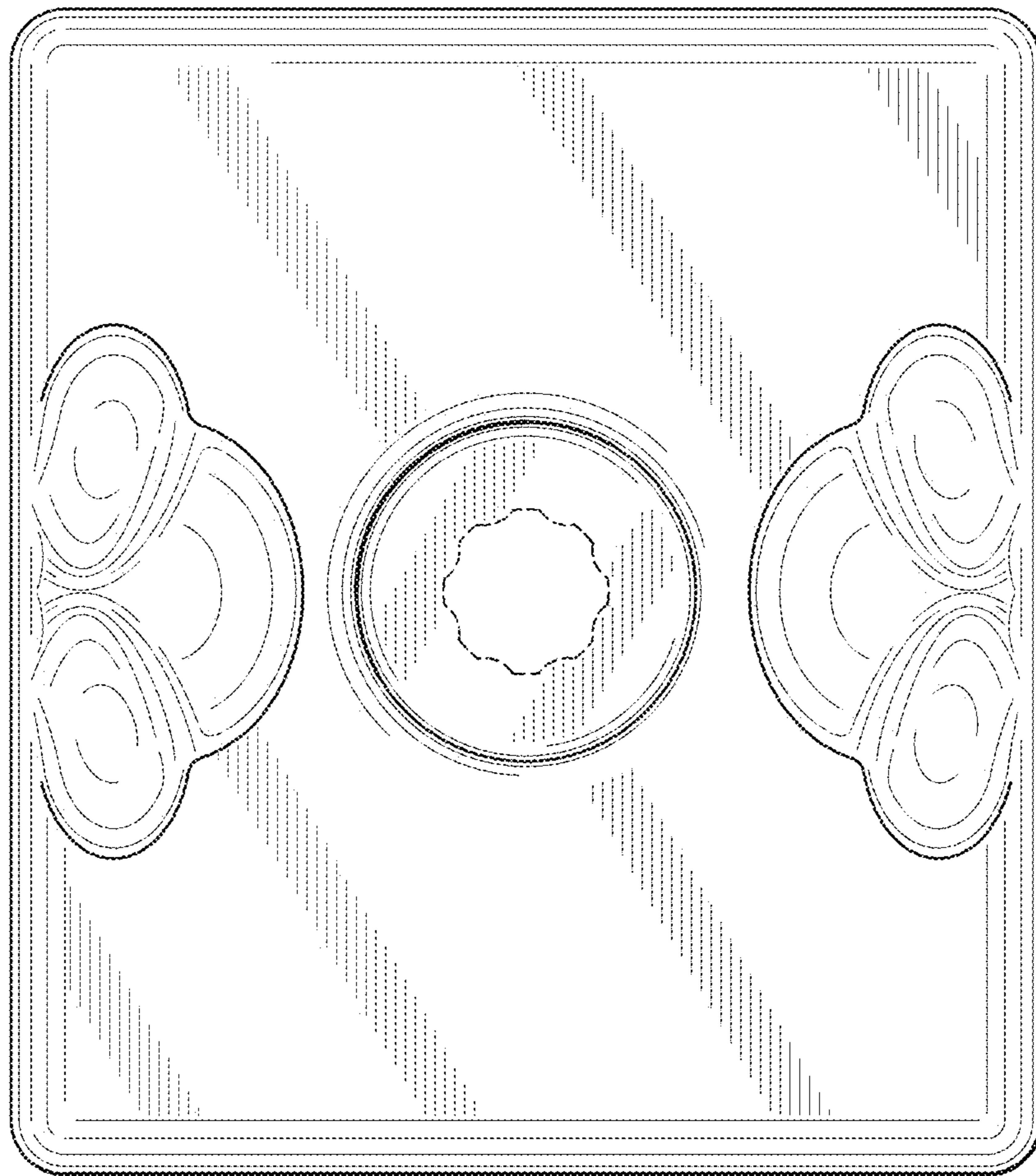


FIG. 5

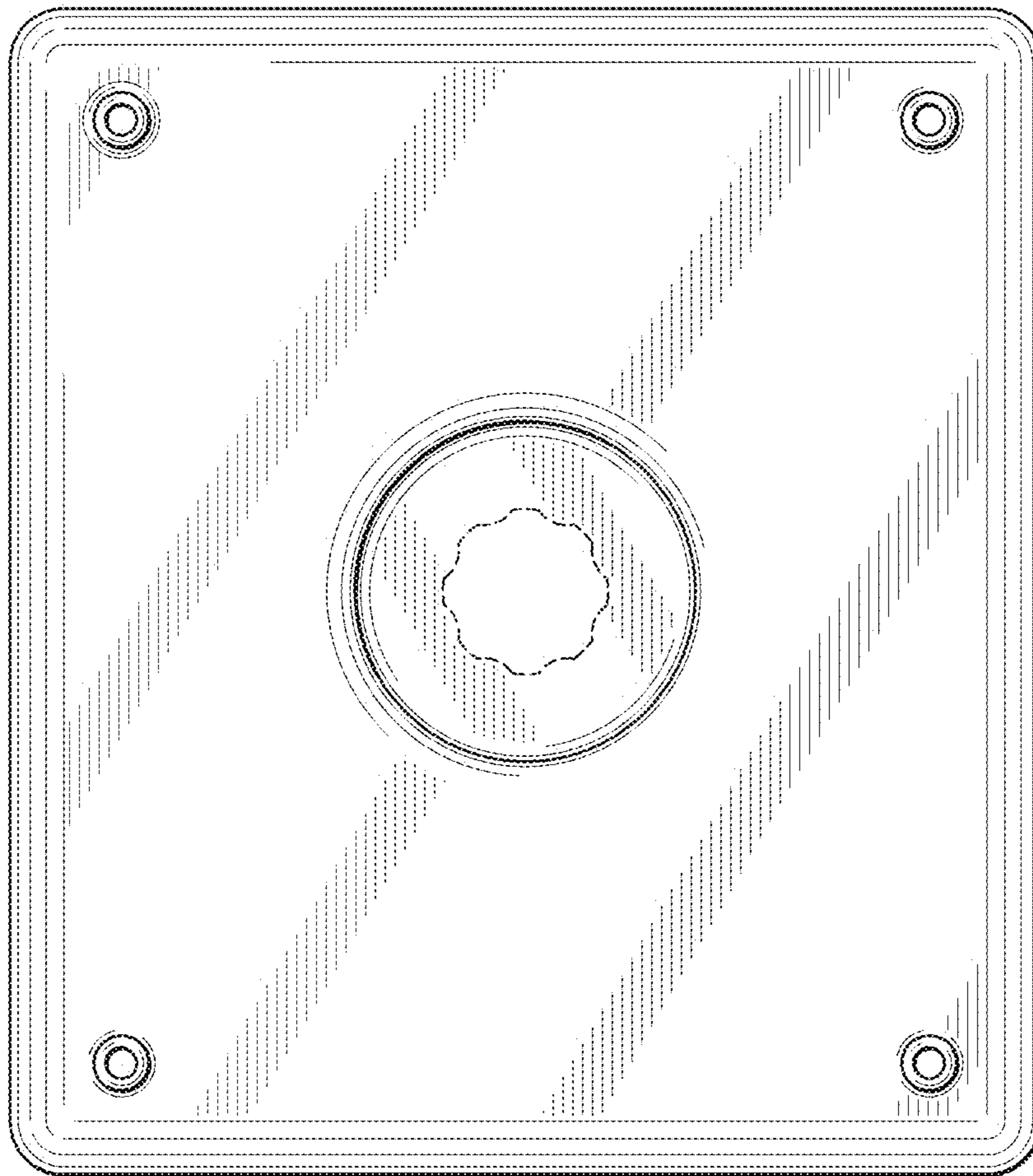


FIG. 6