



US00D732904S

(12) **United States Design Patent**
Lee

(10) **Patent No.:** **US D732,904 S**
(45) **Date of Patent:** **** Jun. 30, 2015**

- (54) **COCKTAIL STRAINER**
- (71) Applicant: **Cocktail Kingdom LLC**, New York, NY (US)
- (72) Inventor: **Don H. Lee**, New York, NY (US)
- (73) Assignee: **Cocktail Kingdom LLC**, New York, NY (US)
- (**) Term: **14 Years**
- (21) Appl. No.: **29/484,297**
- (22) Filed: **Mar. 7, 2014**
- (51) **LOC (10) Cl.** **07-04**
- (52) **U.S. Cl.**
USPC **D7/667**
- (58) **Field of Classification Search**
USPC D7/667, 668; 99/275; 222/189.06,
222/189.07; 210/464-475, 482, 495, 498,
210/499, 497.01; 100/110, 104
CPC E04D 13/076; B30B 9/02; A47J 43/27;
A47J 43/286; A47J 43/284; A47J 31/02
See application file for complete search history.

(56) **References Cited**

U.S. PATENT DOCUMENTS

- 1,044,869 A * 11/1912 Emmenegger 30/325
- 8,631,722 B1 * 1/2014 Davis 81/3.09

- 2012/0061398 A1 * 3/2012 Nilsson 220/568
- 2012/0147693 A1 * 6/2012 Bahlenhorst et al. 366/130
- 2013/0160213 A1 * 6/2013 Salles 7/119

* cited by examiner

Primary Examiner — Terry Wallace

(74) *Attorney, Agent, or Firm* — Stroock & Stroock & Lavan LLP; Jason M. Sobel

(57) **CLAIM**

The ornamental design for a cocktail strainer, as shown and described.

DESCRIPTION

FIG. 1 is a perspective view of the underside of a cocktail strainer, constructed in accordance with the present invention;

FIG. 2 is a perspective view of the topside of the cocktail strainer of FIG. 1;

FIG. 3 is a second perspective view of the underside of the cocktail strainer of FIG. 1;

FIG. 4 is an underside view of the cocktail strainer of FIG. 1;

FIG. 5 is a topside view of the cocktail strainer of FIG. 1;

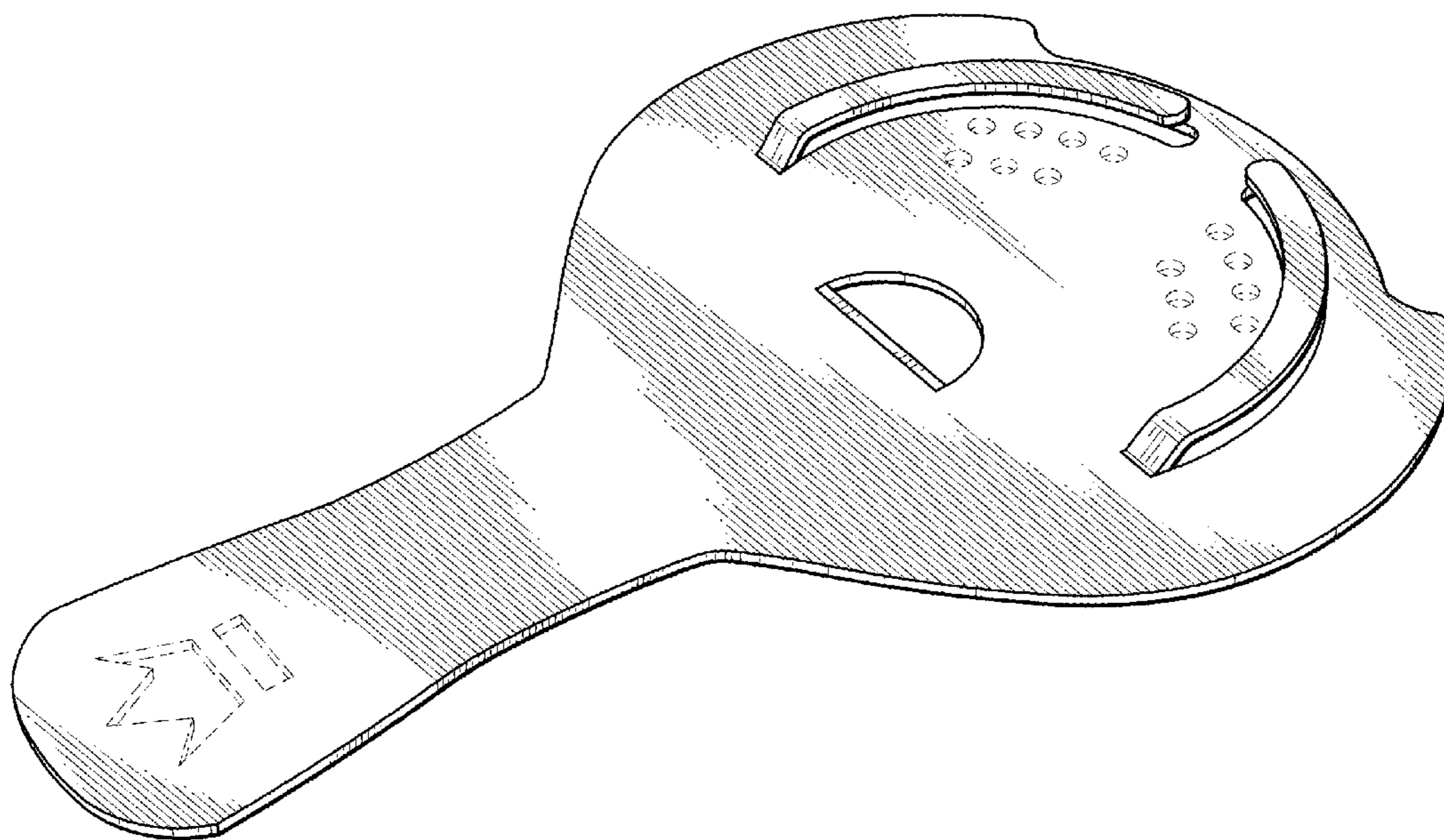
FIG. 6 is a bottom edge view of the cocktail strainer of FIG. 1;

FIG. 7 is a top edge view of the cocktail strainer of FIG. 1; and,

FIG. 8 is a side edge view of the cocktail strainer of FIG. 1.

The elements delineated in dashed or broken lines forms no part of the claimed design of the cocktail strainer.

1 Claim, 7 Drawing Sheets



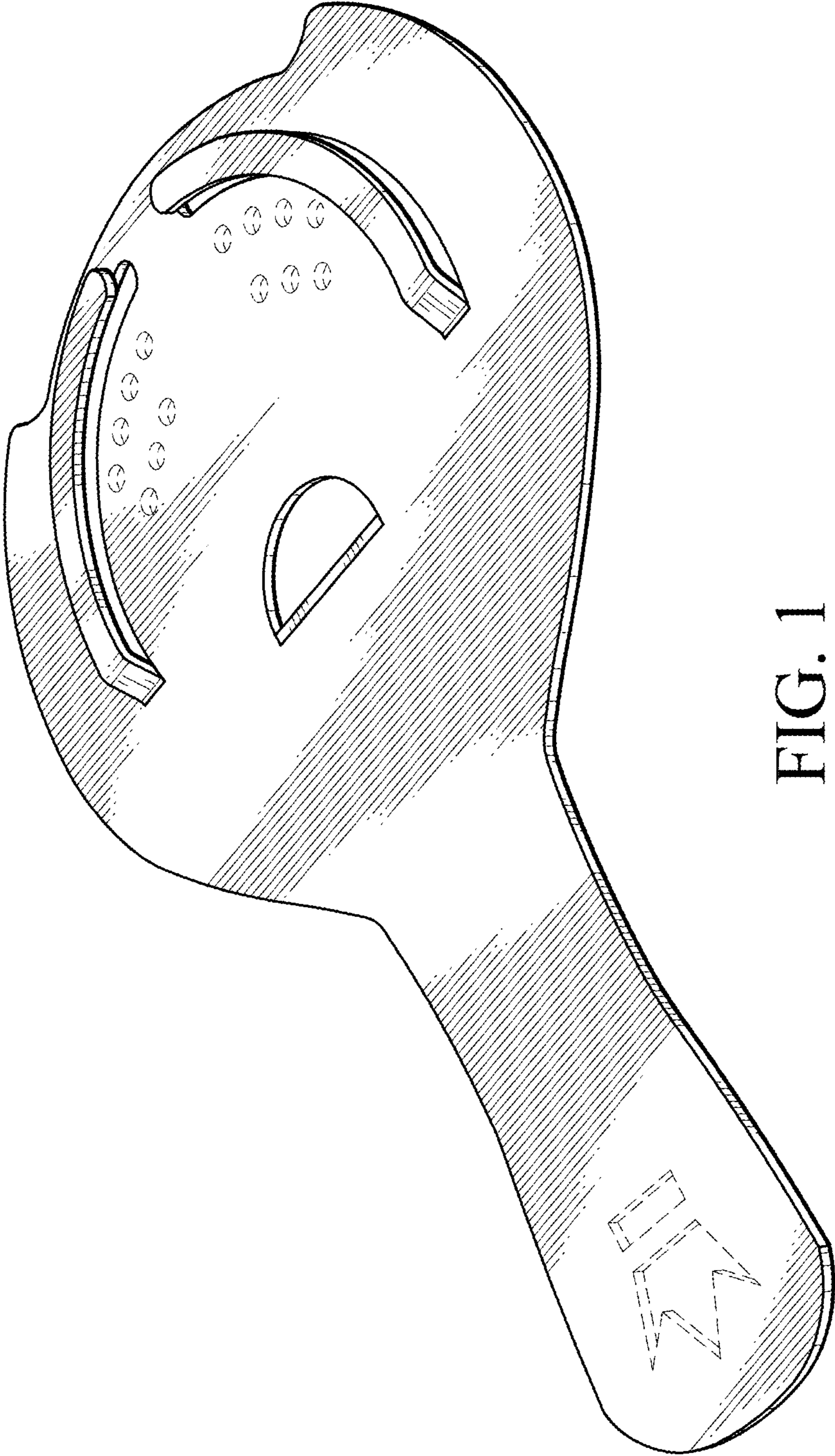


FIG. 1

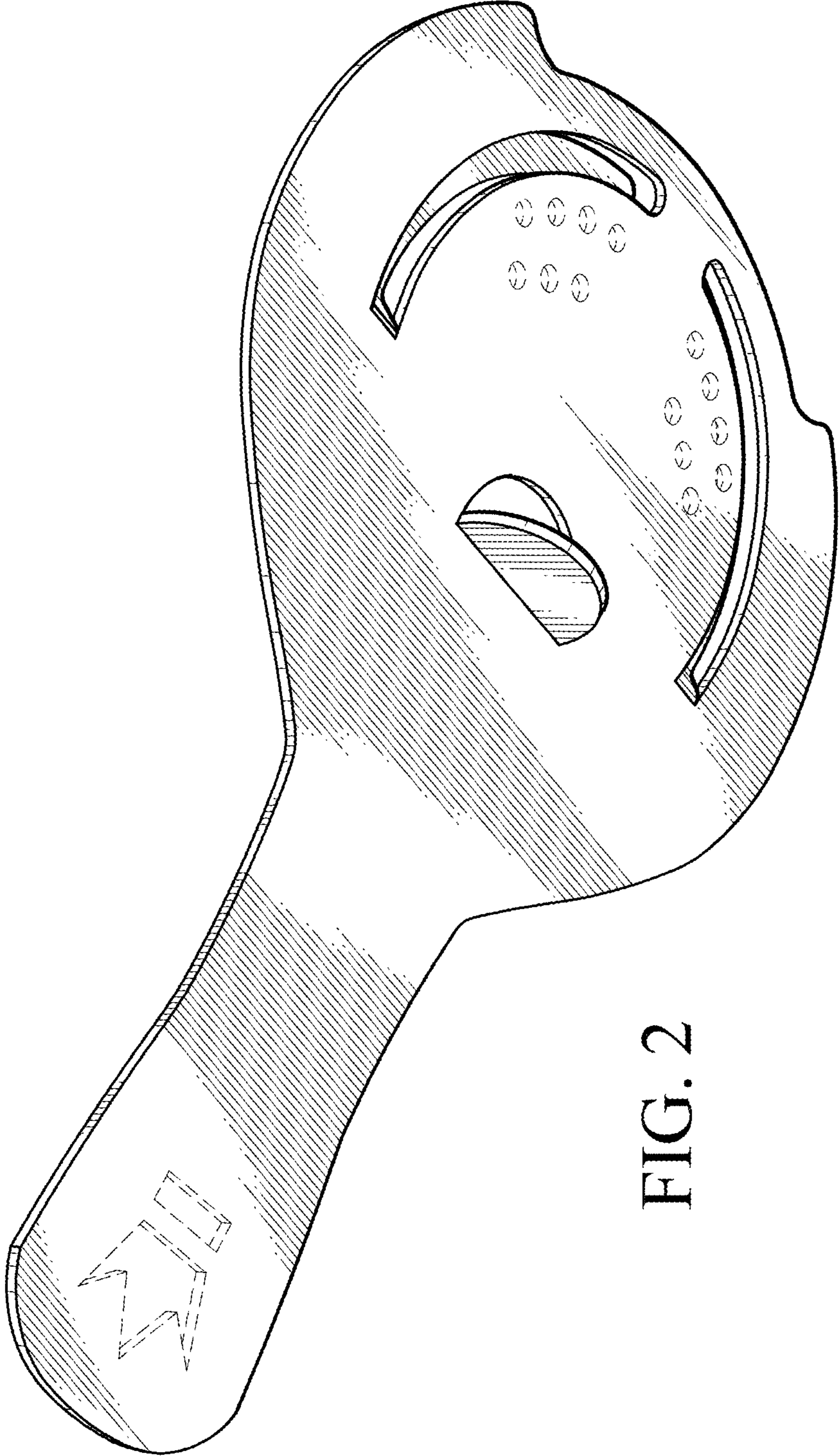


FIG. 2

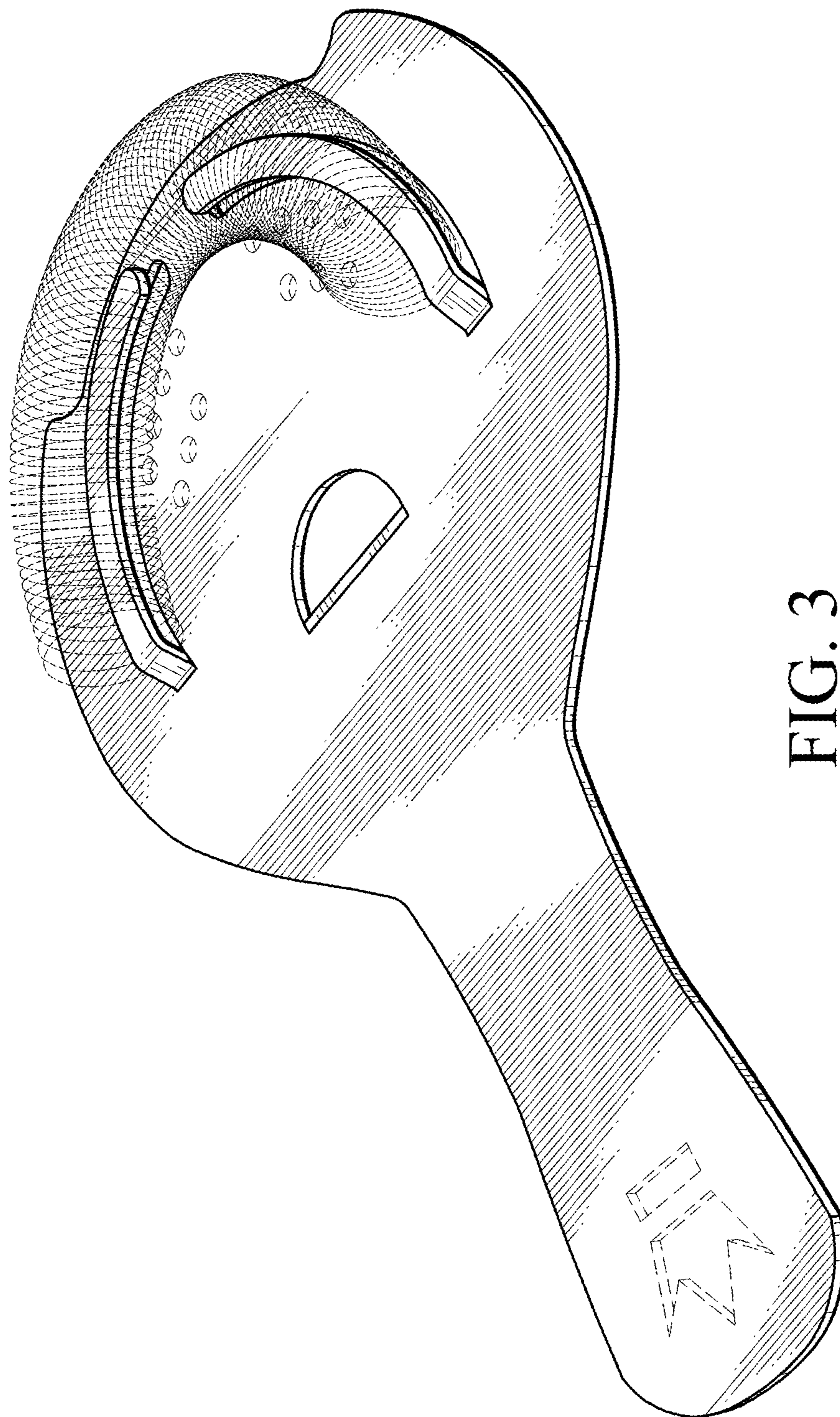


FIG. 3

4/7

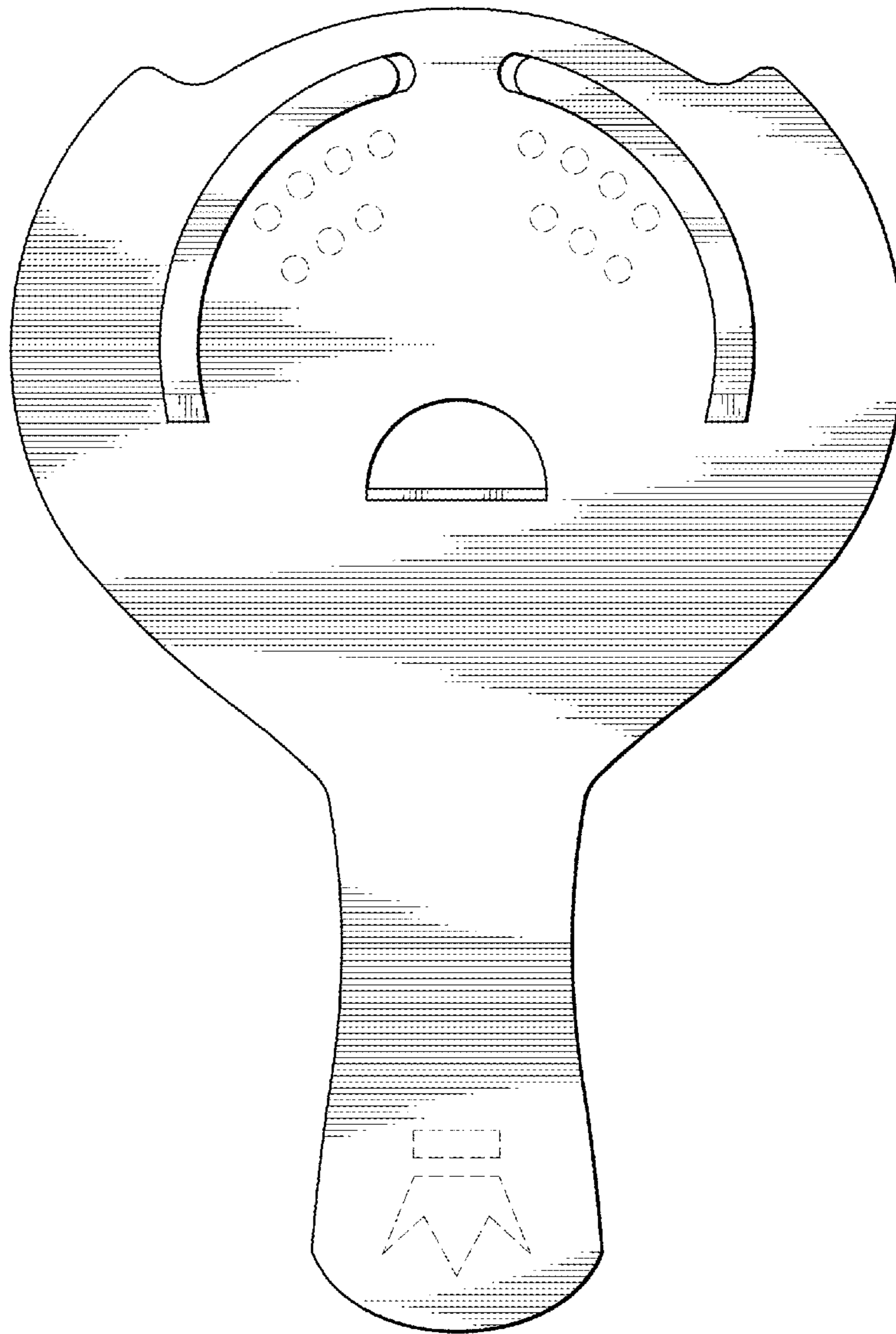


FIG. 4

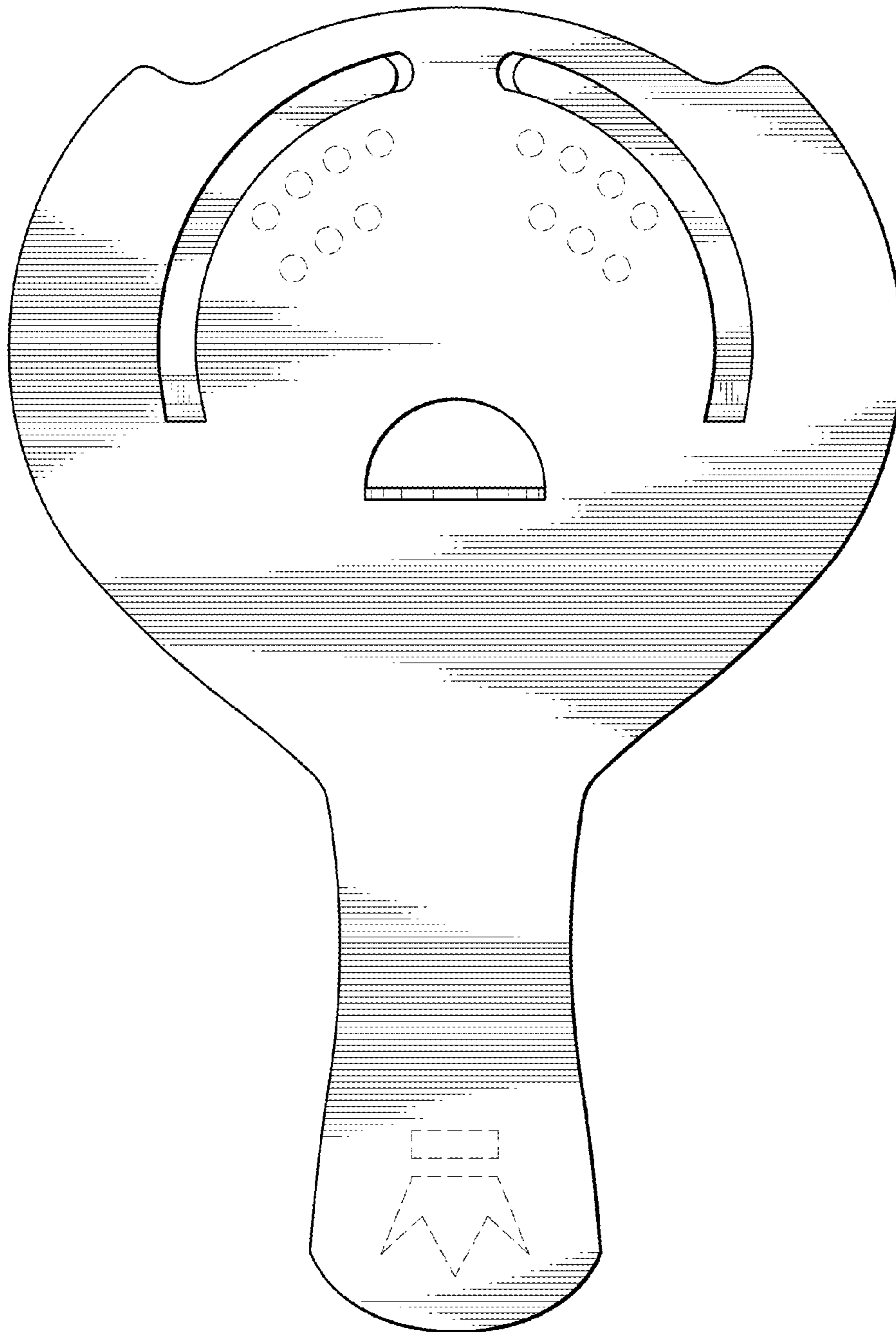


FIG. 5

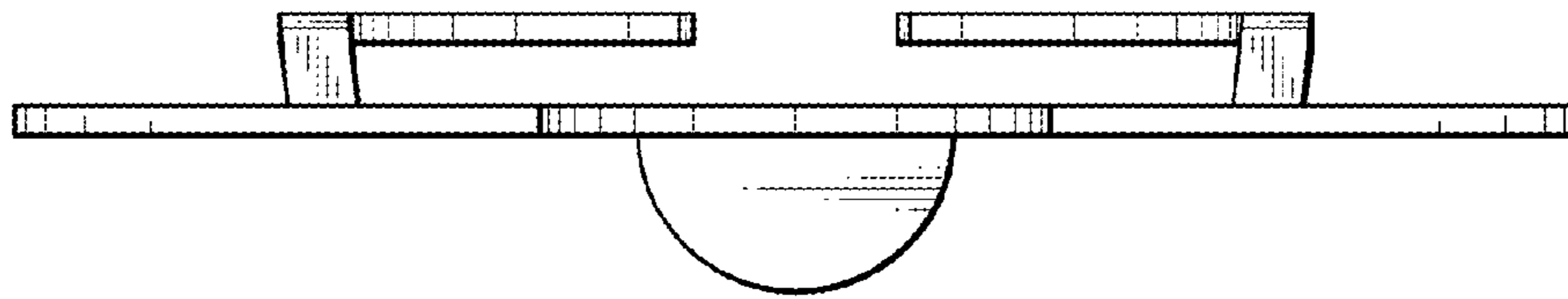


FIG. 6

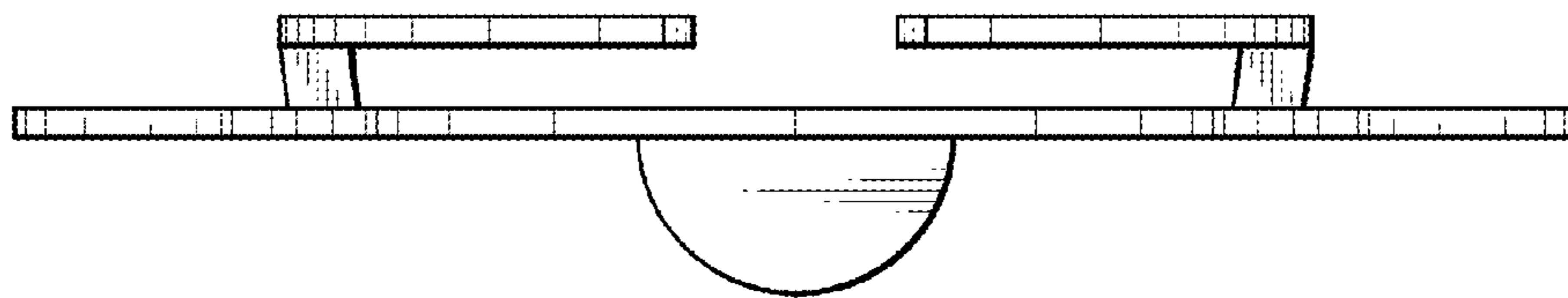


FIG. 7

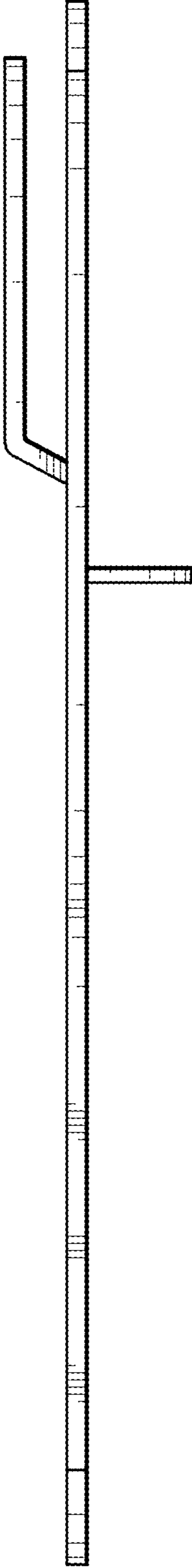


FIG. 8